



US00D781193S

(12) **United States Design Patent**  
**McMath**

(10) **Patent No.:** **US D781,193 S**

(45) **Date of Patent:** **\*\* Mar. 14, 2017**

(54) **PAIR OF REAR FENDERS**

(71) Applicant: **Robert Roy McMath**, Riverside, CA  
(US)

(72) Inventor: **Robert Roy McMath**, Riverside, CA  
(US)

(\*\*) Term: **15 Years**

(21) Appl. No.: **29/543,227**

(22) Filed: **Oct. 22, 2015**

(51) **LOC (10) Cl.** ..... **12-16**

(52) **U.S. Cl.**  
USPC ..... **D12/196**

(58) **Field of Classification Search**  
USPC ..... D12/88, 90, 91, 92, 181, 194, 196, 400;  
D21/424, 433, 434; 280/727, 770, 847;  
296/181.1, 181.2  
CPC ..... B62D 25/02; B62D 25/16; B62D 25/161;  
B62D 23/005

See application file for complete search history.

(56) **References Cited**

U.S. PATENT DOCUMENTS

D511,728 S *	11/2005	Rex	.....	D12/190
D582,825 S *	12/2008	Logan	.....	D12/184
D620,855 S *	8/2010	Waclawski	.....	D12/181
D623,103 S *	9/2010	Braga	.....	D12/181
D647,002 S *	10/2011	Mullen	.....	D12/86
D649,908 S *	12/2011	Mullen	.....	D12/86
D649,909 S *	12/2011	Mullen	.....	D12/86
D649,910 S *	12/2011	Mullen	.....	D12/86
D652,358 S *	1/2012	Hodges	.....	D12/181
D699,169 S *	2/2014	Waclawski	.....	D12/184
D712,324 S *	9/2014	McFarlin	.....	D12/181
9,233,727 B1 *	1/2016	Imamura	.....	B62J 15/00

9,327,587 B2 *	5/2016	Spindler	.....	B62D 23/005
D760,120 S *	6/2016	Leyrikh	.....	D12/12
D764,350 S *	8/2016	Okuyama	.....	D12/14
2013/0319785 A1 *	12/2013	Spindler	.....	B62D 23/005 180/292
2016/0001841 A1 *	1/2016	Imamura	.....	B62J 15/00 280/152.1
2016/0144902 A1 *	5/2016	Avalos Sartorio	...	B62D 25/161 280/848
2016/0236737 A1 *	8/2016	Spindler	.....	B62D 23/005

\* cited by examiner

*Primary Examiner* — Rosemary K Tarcza

*Assistant Examiner* — Yolanda Robinson

(74) *Attorney, Agent, or Firm* — Curtis L. Harrington;  
Harrington & Harrington

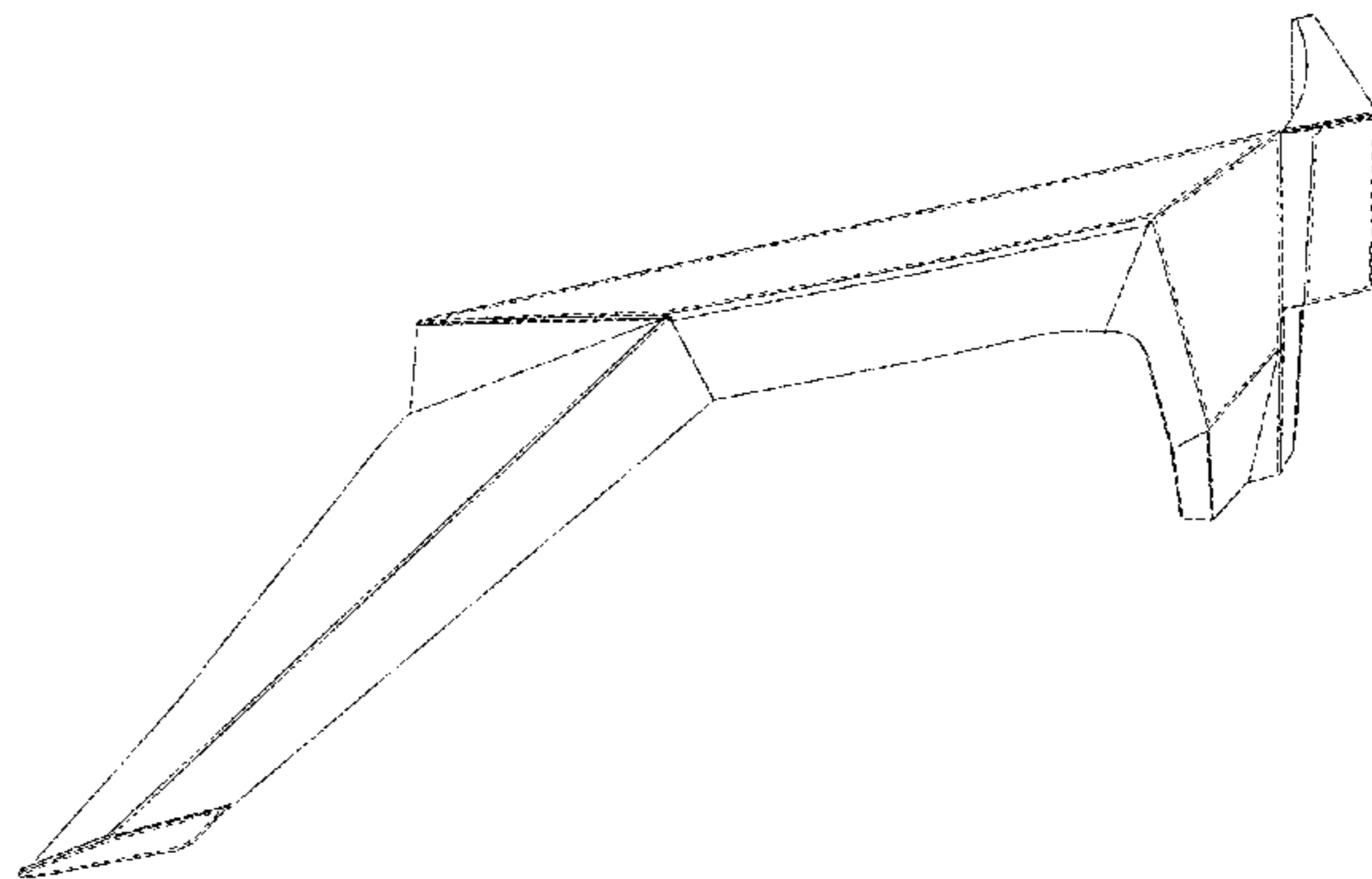
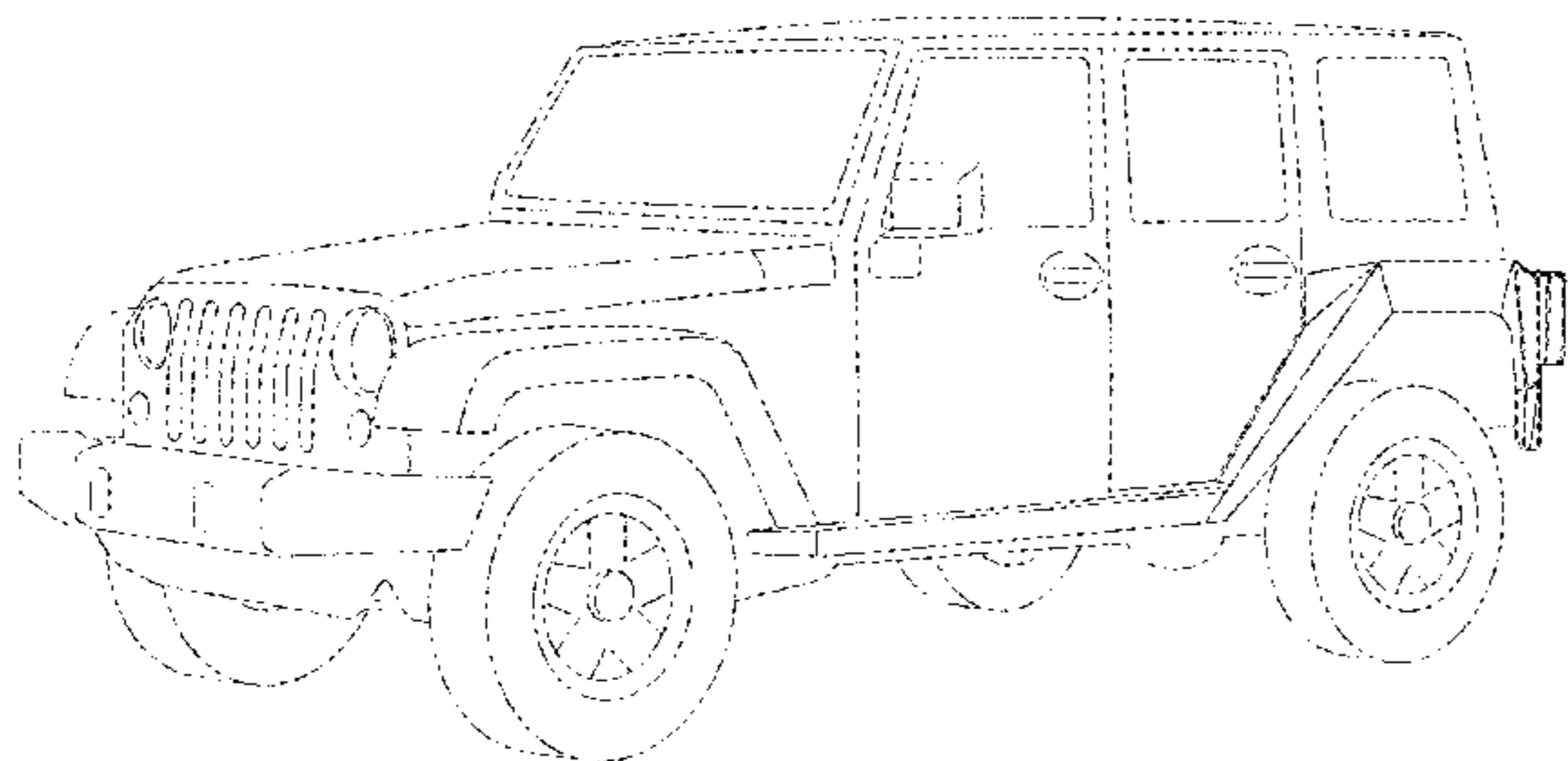
(57) **CLAIM**

The ornamental design for a pair of rear fenders, as shown and described.

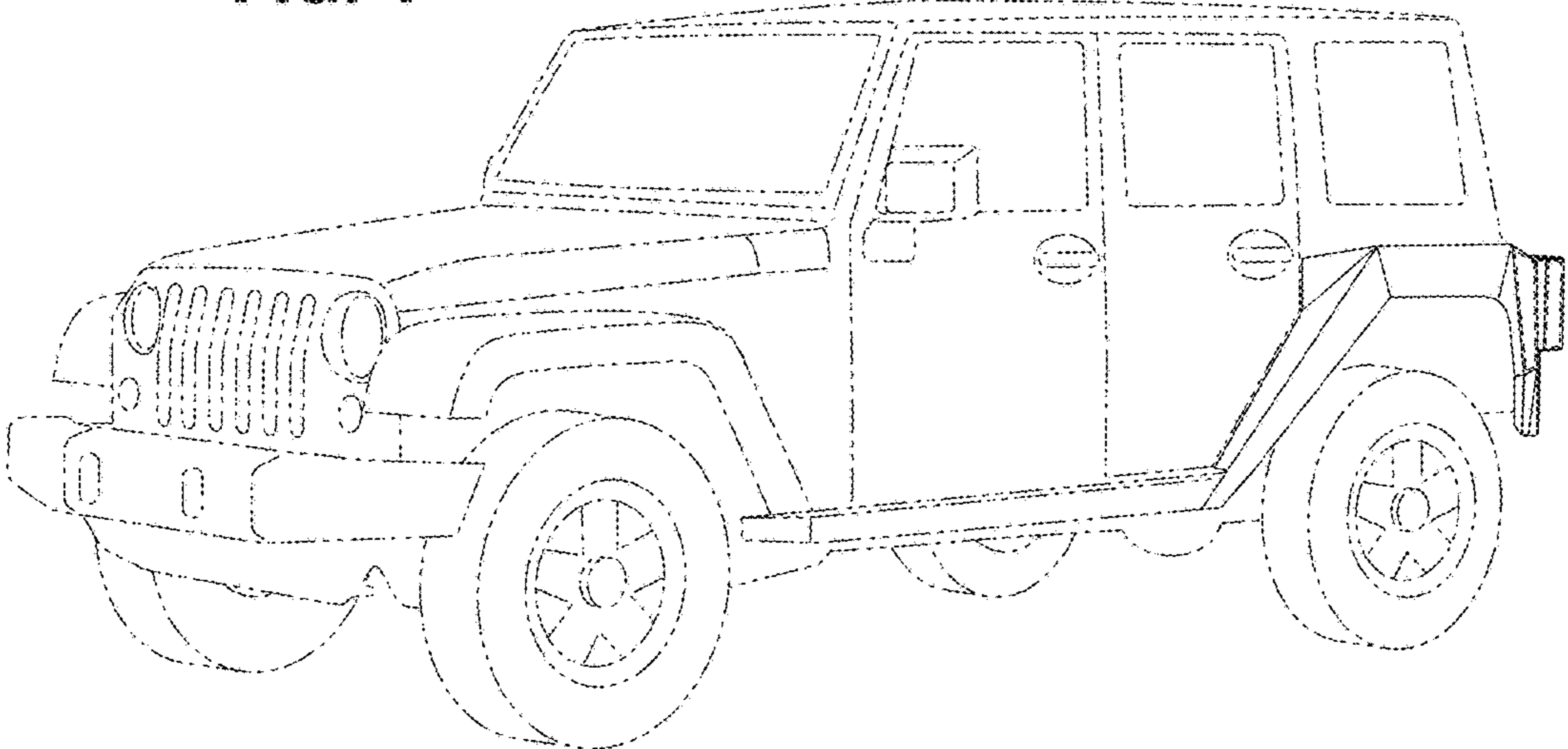
**DESCRIPTION**

FIG. 1 is a perspective view of a one of a pair of rear fenders shown with a vehicle in broken line format, the other one of the pair of rear fenders being a mirror image thereof; FIG. 2 is an upper perspective view thereof; FIG. 3 is an side view thereof; FIG. 4 is a front view thereof; FIG. 5 is a rear view thereof; FIG. 6 is a top view thereof; and, FIG. 7 is a bottom view thereof. The other one of the pair of rear fenders not shown is a mirror image of FIGS. 1 through 7. The broken lines shown in the drawings illustrate environmental subject matter which forms no part of the design.

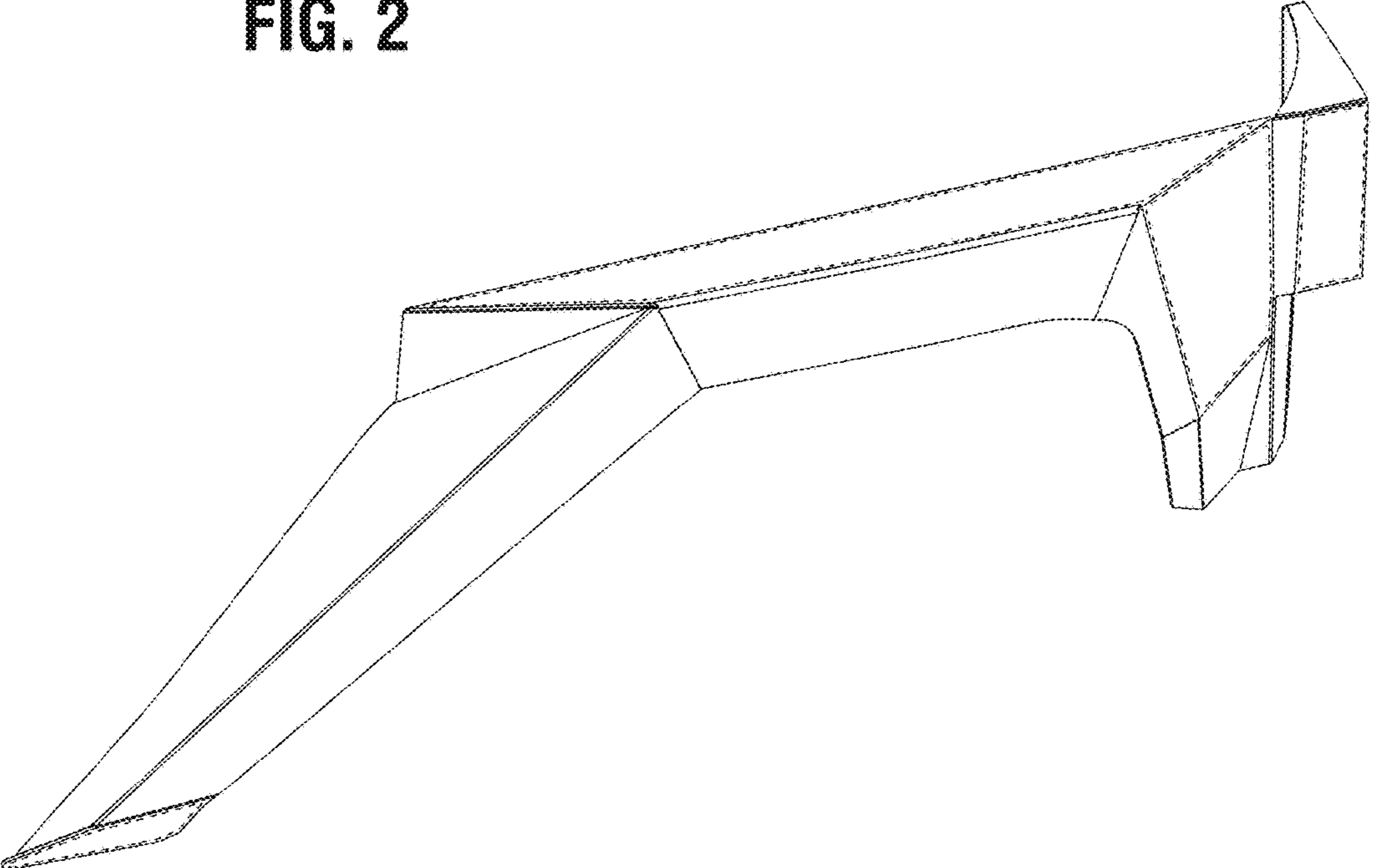
**1 Claim, 3 Drawing Sheets**



**FIG. 1**



**FIG. 2**



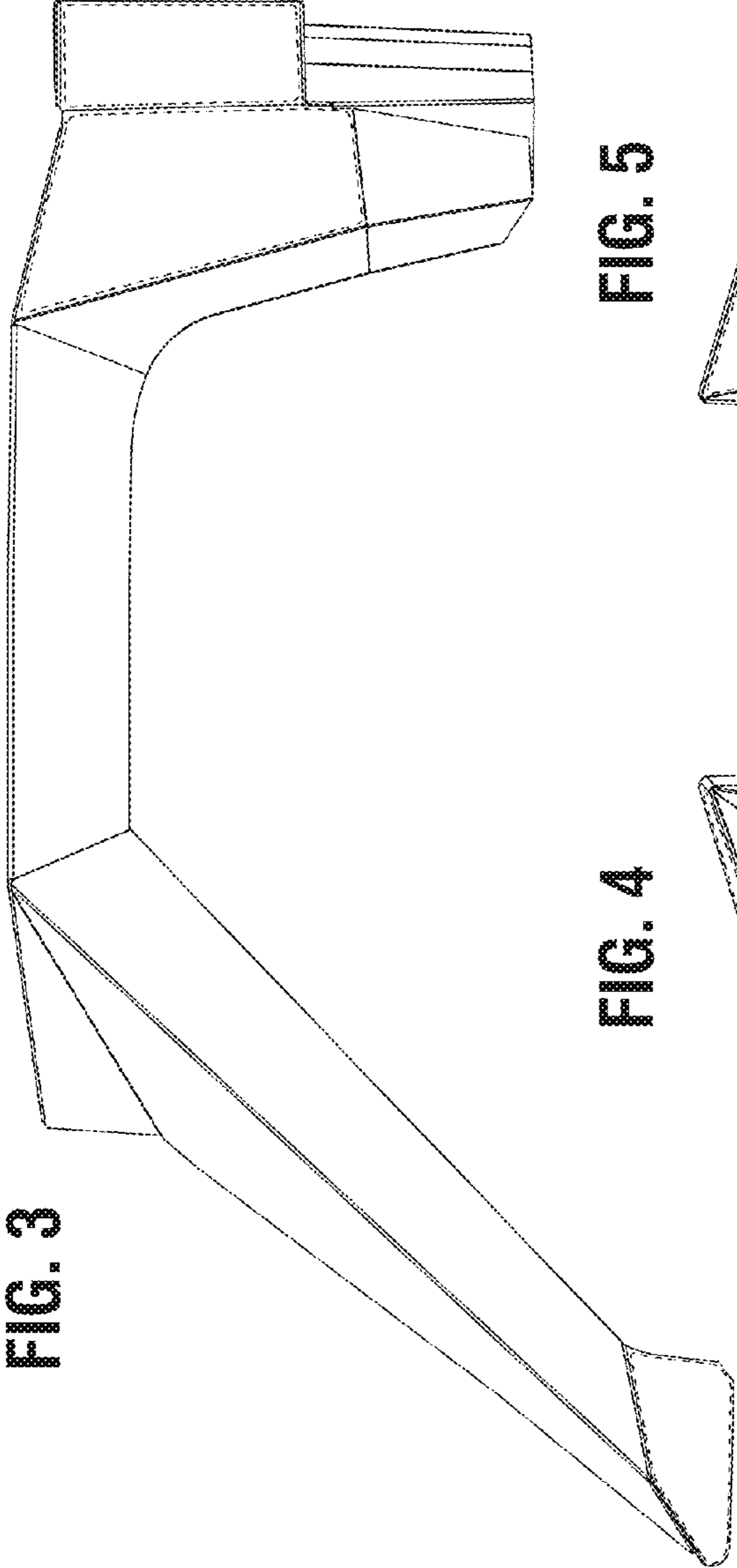


FIG. 5

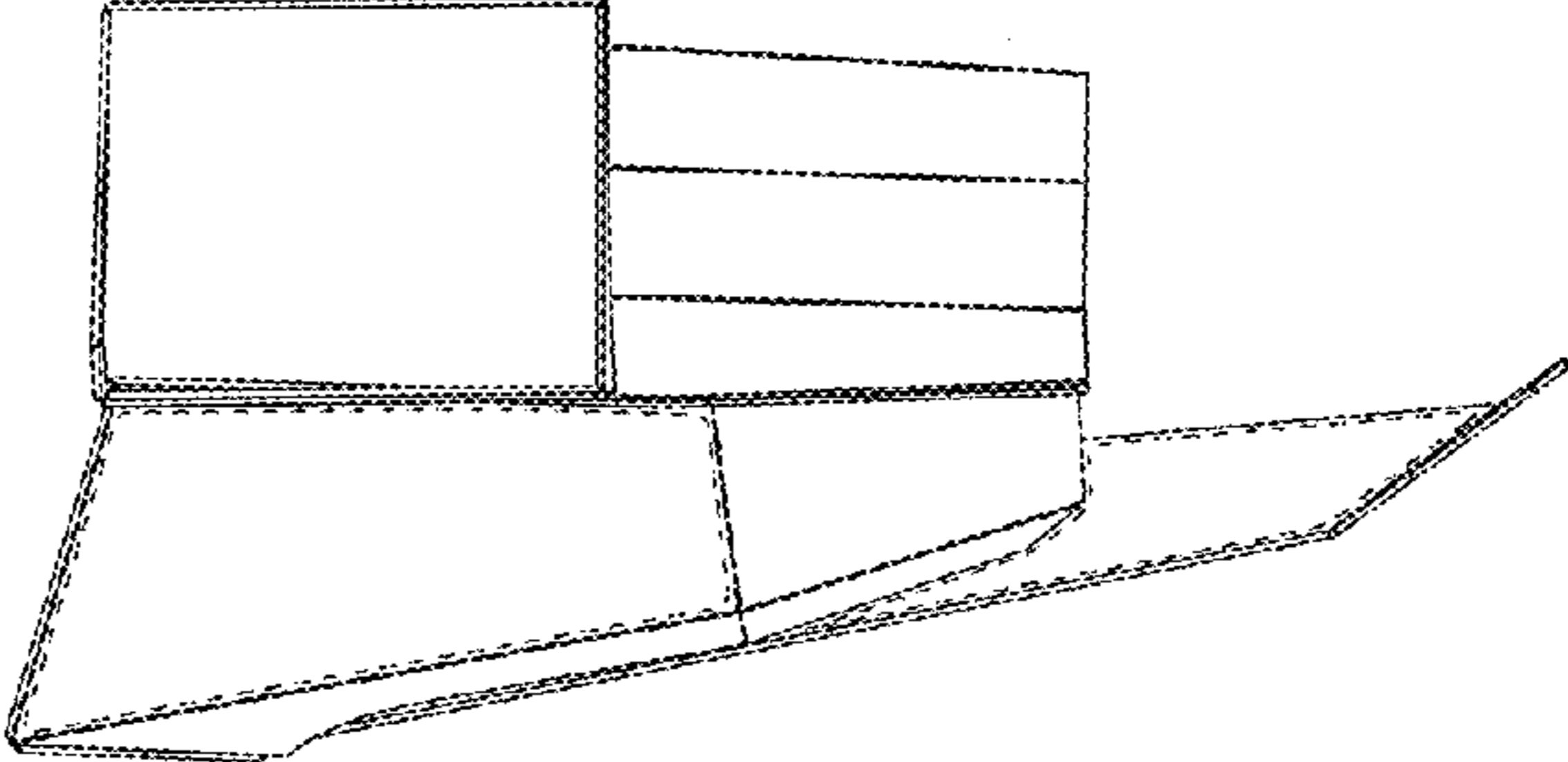
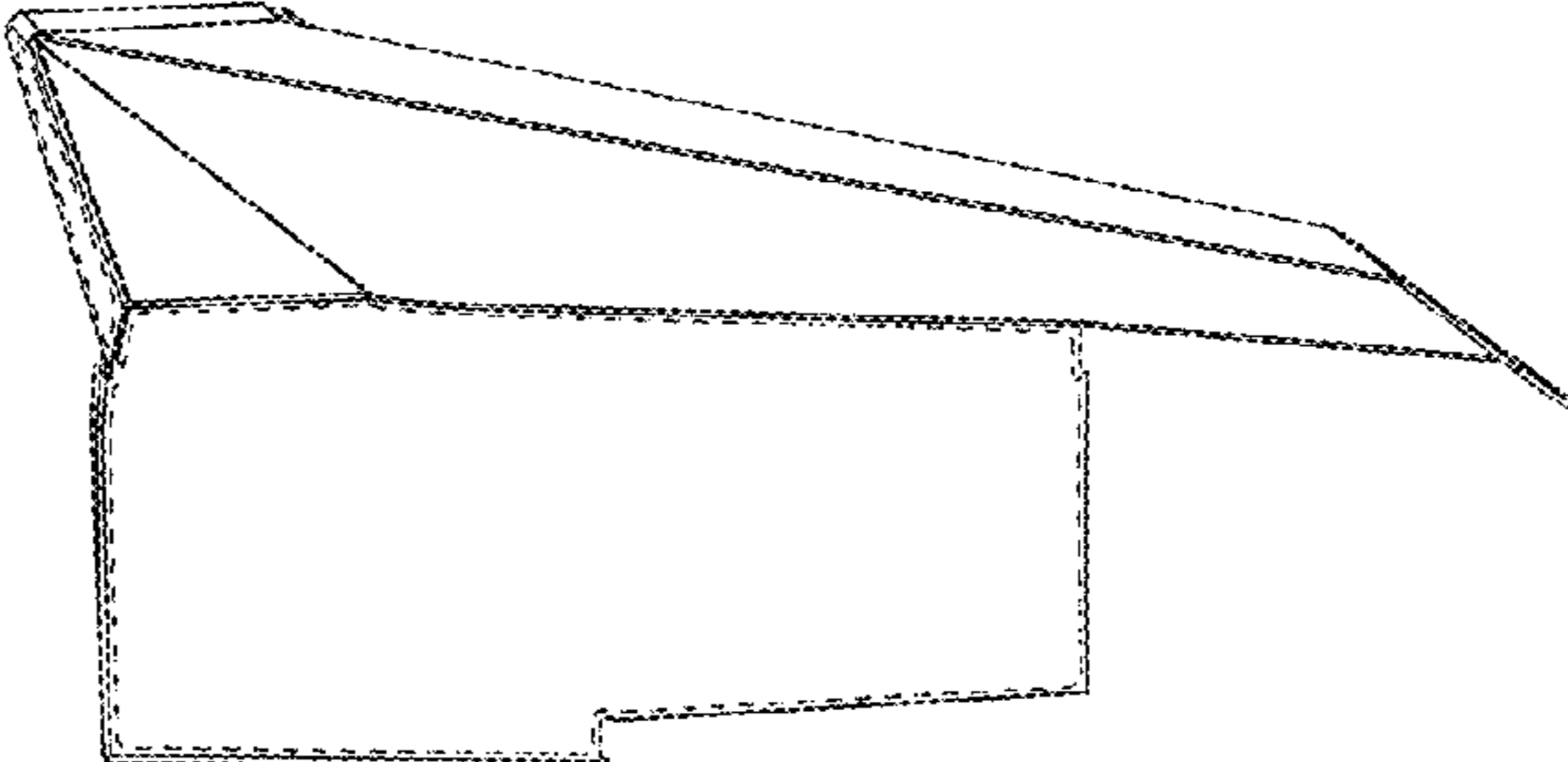


FIG. 4



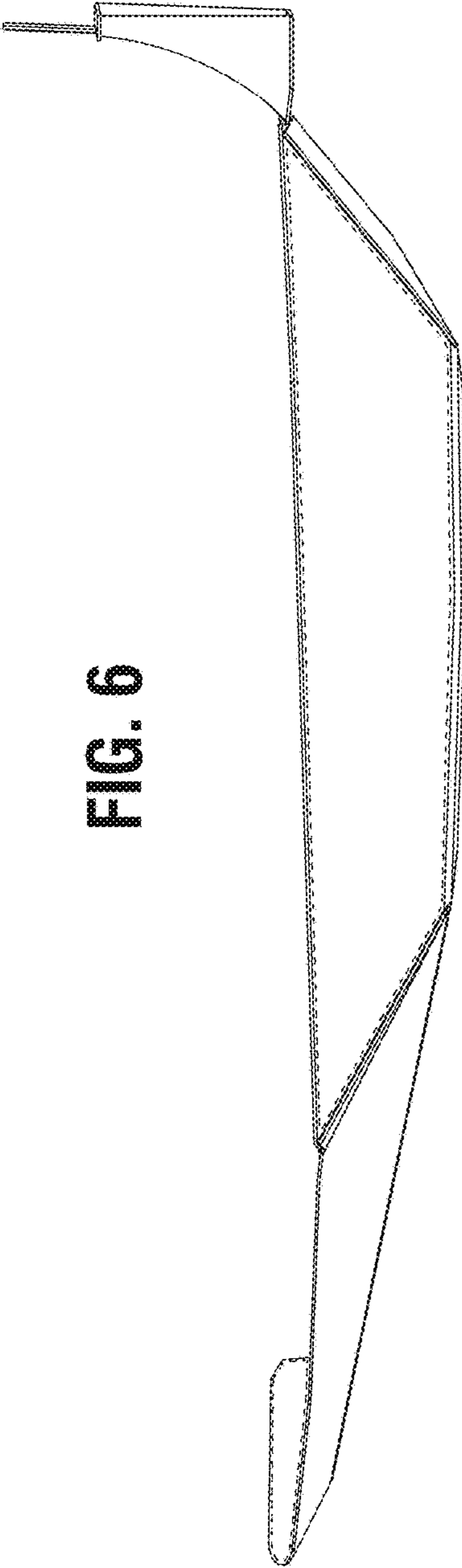


FIG. 6



FIG. 7