



US00D781192S

(12) **United States Design Patent** (10) **Patent No.:** **US D781,192 S**
Kozub et al. (45) **Date of Patent:** **** Mar. 14, 2017**

(54) **VEHICLE FRONT FENDER**
(71) Applicant: **GM GLOBAL TECHNOLOGY OPERATIONS LLC**, Detroit, MI (US)
(72) Inventors: **Timothy P. Kozub**, Troy, MI (US); **Evan Mai**, Ypsilanti, MI (US); **Gary W. Ruiz**, Royal Oak, MI (US)
(73) Assignee: **GM Global Technology Operations LLC**, Detroit, MI (US)
(**) Term: **15 Years**

D605,082 S 12/2009 Munson
D605,083 S 12/2009 Manoogian, II et al.
D605,977 S 12/2009 Zipfel et al.
D605,978 S 12/2009 Wolff et al.
D608,249 S 1/2010 Peters
D608,690 S 1/2010 Folden et al.
D608,691 S 1/2010 Zak, Jr. et al.
D609,608 S 2/2010 Boniface et al.
D611,387 S 3/2010 Thompson et al.
D611,879 S 3/2010 Kim et al.
D612,297 S 3/2010 Peters et al.
D613,645 S 4/2010 Song et al.
D615,458 S 5/2010 Thompson et al.
D618,595 S 6/2010 Ware et al.
D623,090 S 9/2010 Cox et al.

(Continued)

(21) Appl. No.: **29/535,420**
(22) Filed: **Aug. 6, 2015**
(51) **LOC (10) Cl.** **12-16**
(52) **U.S. Cl.**
USPC **D12/196; D12/181**
(58) **Field of Classification Search**
USPC D12/86, 90-92, 184-186, 190, 196;
D21/424-425, 433-434
CPC B60R 13/04; B60R 19/54; B62D 25/12;
B62D 27/026; B62D 35/005; B60J
5/0412
See application file for complete search history.

OTHER PUBLICATIONS

<https://www.youtube.com/watch?v=vYKHsRVk9cE>—Published Jan. 12, 2015.*

(Continued)

Primary Examiner — Manpreet Matharu
Assistant Examiner — Mojtaba Tehrani
(74) *Attorney, Agent, or Firm* — Reising Ethington P.C.

(57) **CLAIM**

The ornamental design for a vehicle front fender, as shown and described.

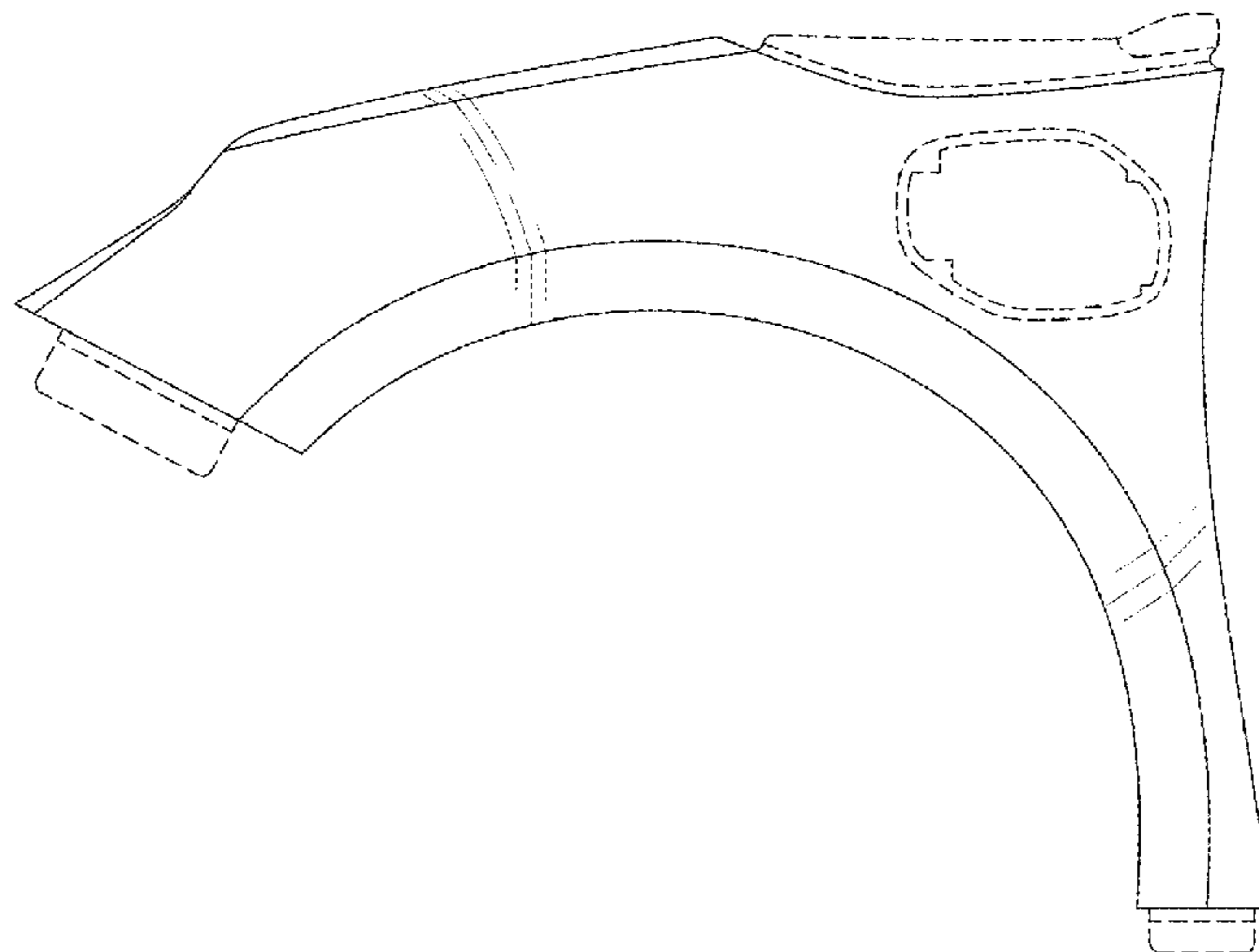
DESCRIPTION

FIG. 1 is a perspective view of the vehicle front fender, showing our new design;
FIG. 2 is a side elevation view thereof;
FIG. 3 is a front view thereof; and,
FIG. 4 is a top view thereof.
The broken lines shown in the drawings depict portions of the vehicle front fender that form no part of the claimed design.

1 Claim, 2 Drawing Sheets

(56) **References Cited**
U.S. PATENT DOCUMENTS

D447,458 S * 9/2001 Eum D12/196
D472,195 S * 3/2003 Okumoto D12/196
D479,171 S * 9/2003 Boyer D12/196
D536,648 S * 2/2007 Fujimaki D12/184
D570,742 S 6/2008 Takagi et al.
D592,105 S 5/2009 Dean et al.
D597,447 S 8/2009 Folden
D600,595 S 9/2009 Nakamura et al.
D601,925 S 10/2009 O'Donnell
D603,755 S 11/2009 Peters
D604,203 S 11/2009 O'Donnell



(56)

References Cited

U.S. PATENT DOCUMENTS

D627,262 S 11/2010 Ikeda et al.
 D635,488 S 4/2011 Phipps
 D644,147 S 8/2011 Suh et al.
 D644,567 S 9/2011 Kozub
 D657,718 S 4/2012 Zipfel et al.
 D659,052 S 5/2012 Ware et al.
 D659,053 S 5/2012 Ware et al.
 D668,182 S 10/2012 Franco
 D668,183 S 10/2012 Smart
 D678,820 S 3/2013 Son et al.
 D678,821 S 3/2013 Ikeda et al.
 D680,909 S 4/2013 Munson et al.
 D680,910 S 4/2013 David
 D684,899 S 6/2013 Baker
 D686,536 S 7/2013 McCabe et al.
 D692,798 S 11/2013 Thurber
 D692,799 S 11/2013 Smith et al.
 D695,646 S * 12/2013 Uchino D12/92
 D696,157 S 12/2013 Loeb
 D696,158 S * 12/2013 Akojima D12/92
 D699,629 S 2/2014 Ikeda et al.
 D700,871 S 3/2014 O'Donnell et al.
 D702,597 S * 4/2014 Wada D12/92
 D702,598 S * 4/2014 Wada D12/92
 D703,103 S 4/2014 Lee
 D704,103 S 5/2014 Mack et al.

D705,132 S 5/2014 Ware et al.
 D705,699 S 5/2014 Ware et al.
 D713,298 S 9/2014 Dyson
 D713,764 S 9/2014 Ferlazzo et al.
 D716,696 S 11/2014 Thole et al.
 D716,706 S 11/2014 Thole et al.
 D716,709 S 11/2014 Thole et al.
 D717,696 S 11/2014 Thole et al.
 D718,189 S 11/2014 Krieg et al.
 D718,683 S 12/2014 Thole et al.
 D722,282 S 2/2015 Loeb
 D722,533 S 2/2015 Thole et al.
 D722,534 S 2/2015 Munson et al.
 D724,510 S 3/2015 McMahan et al.
 D725,001 S 3/2015 McMahan et al.
 D730,776 S 6/2015 Smart
 D730,783 S 6/2015 Henriques et al.
 D732,435 S 6/2015 Mackay
 D733,616 S * 7/2015 Hammoud D12/92
 D735,627 S 8/2015 Smith
 D736,451 S 8/2015 Smith
 D749,985 S * 2/2016 Kozub D12/92

OTHER PUBLICATIONS

<https://www.youtube.com/watch?v=FWFsuMgJy1U>—Published
 Jan. 22, 2015.*

* cited by examiner

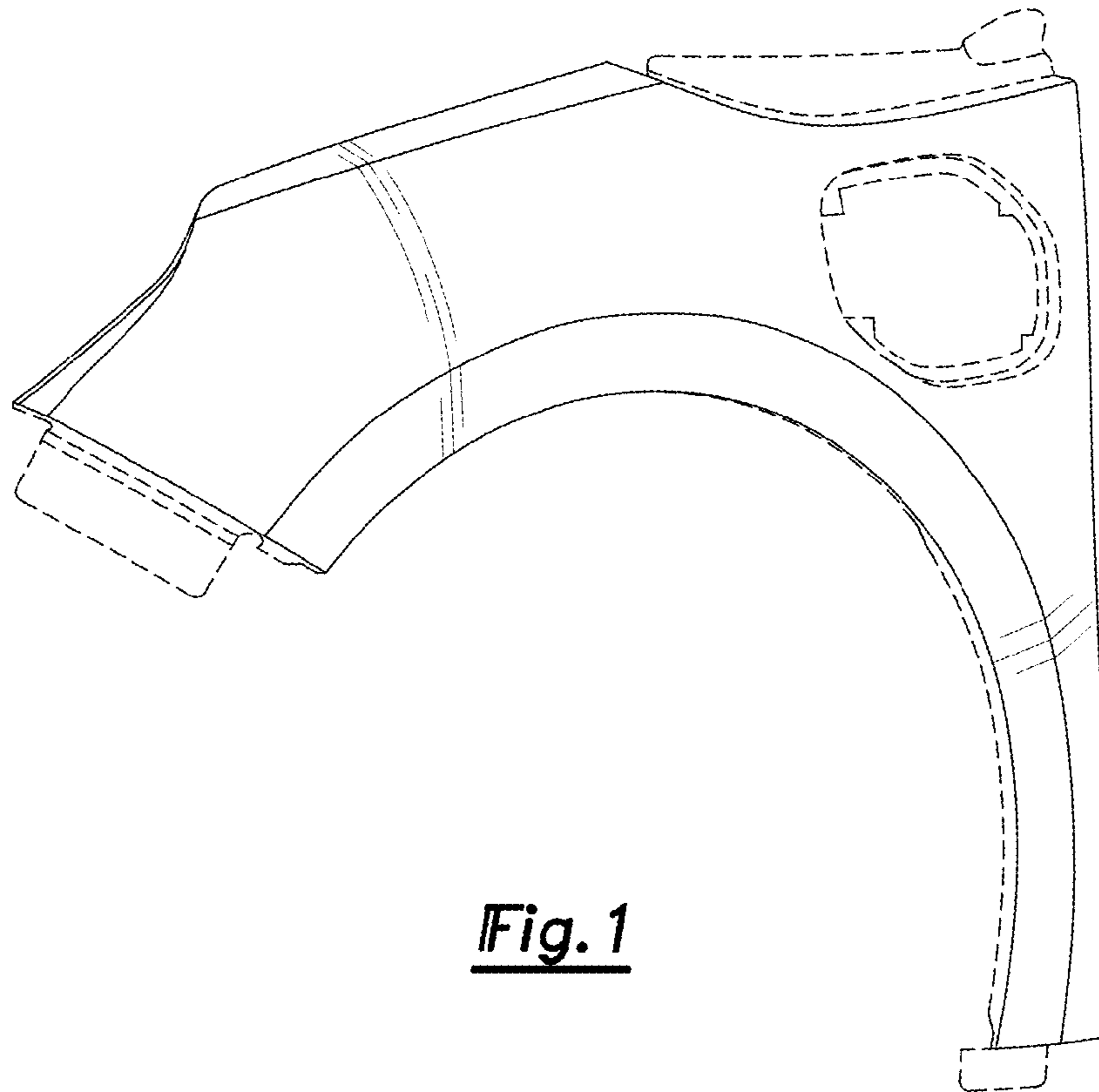


Fig. 1

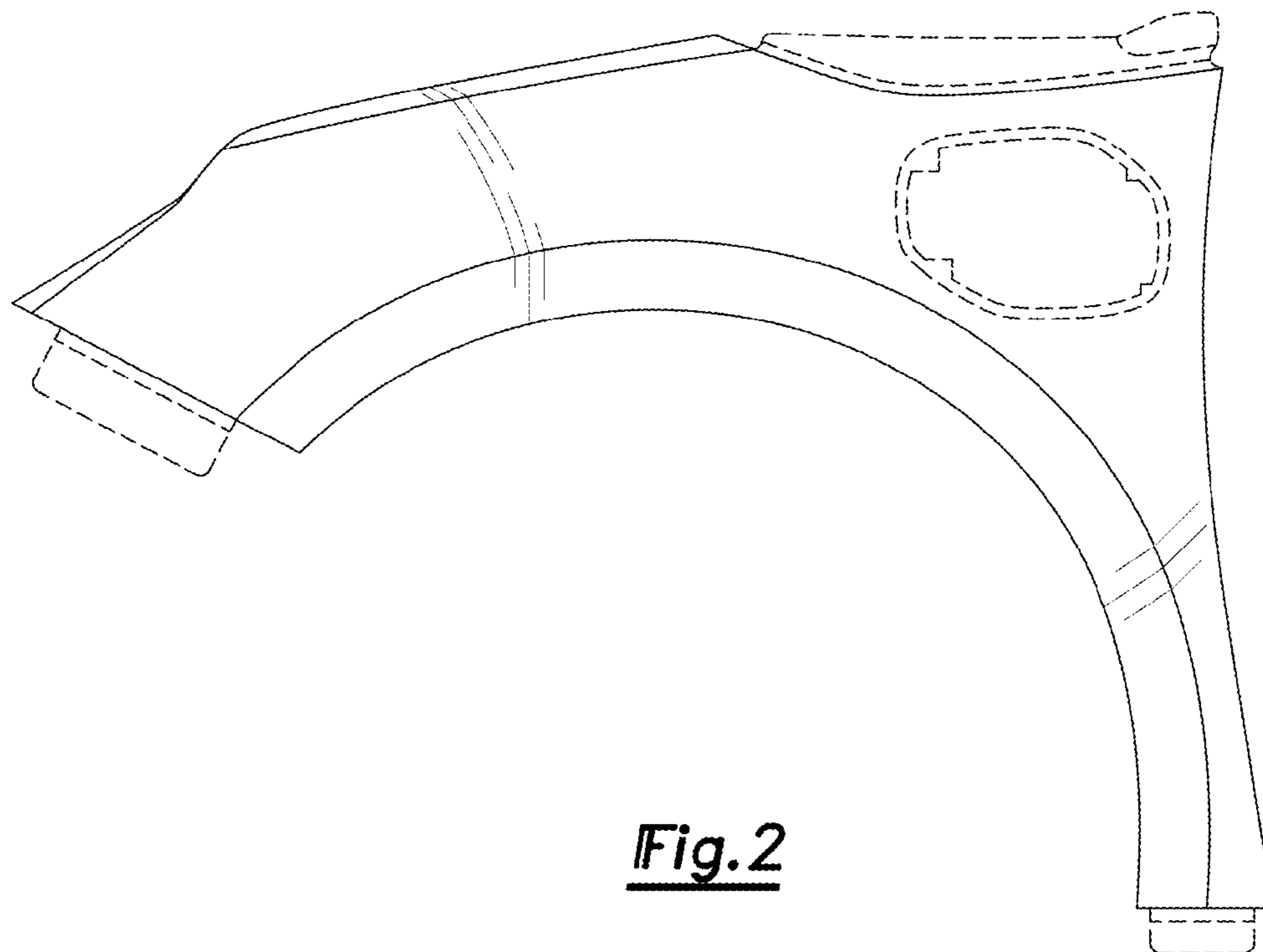


Fig. 2

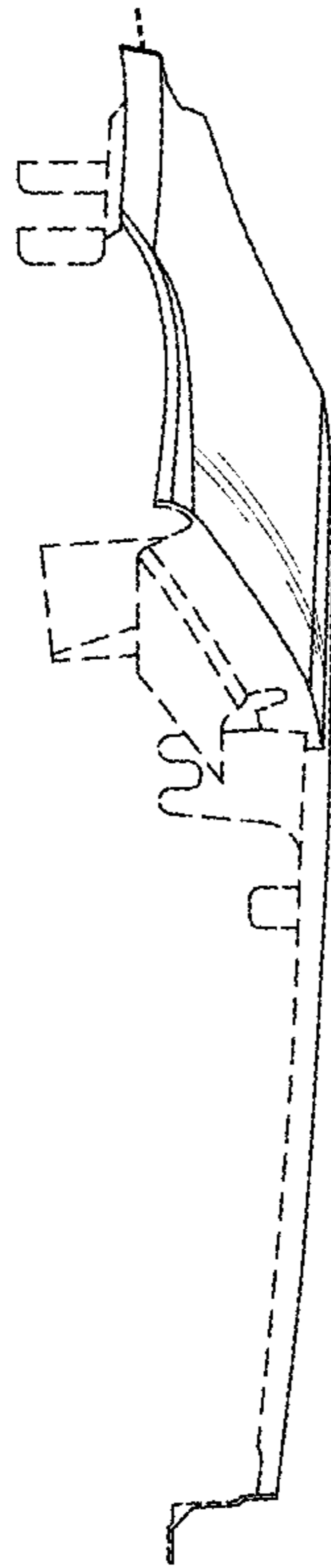


Fig. 3

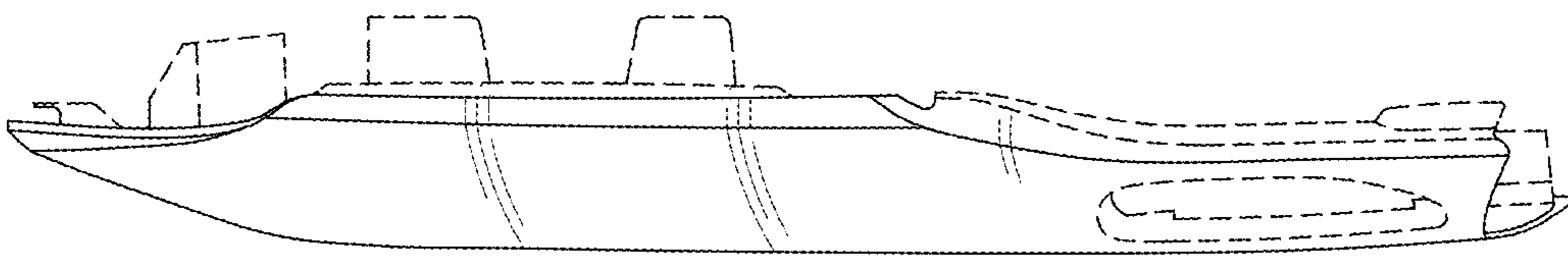


Fig. 4