



US00D781188S

(12) **United States Design Patent** (10) **Patent No.:** **US D781,188 S**  
**Wolff et al.** (45) **Date of Patent:** **\*\* Mar. 14, 2017**

(54) **VEHICLE FRONT UPPER GRILLE**

(71) Applicant: **Ford Global Technologies, LLC,**  
Dearborn, MI (US)

(72) Inventors: **Max Wolff,** Birmingham, MI (US);  
**Solomon Song,** Farmington Hills, MI  
(US)

(73) Assignee: **Ford Global Technologies, LLC,**  
Dearborn, MI (US)

(\*\*) Term: **15 Years**

(21) Appl. No.: **29/544,852**

(22) Filed: **Nov. 6, 2015**

(51) **LOC (10) Cl.** ..... **12-16**

(52) **U.S. Cl.**  
USPC ..... **D12/163**

(58) **Field of Classification Search**  
USPC ..... D12/86, 90, 91, 92, 163, 169, 196, 171,  
D12/216; D15/31; 180/68.1, 68.6;  
293/103, 115, 117, 120, 193.1, 193.11  
CPC . B60R 19/52; B60R 2019/525; B60K 11/085;  
B62D 25/084; H01Q 1/32  
See application file for complete search history.

(56) **References Cited**

**U.S. PATENT DOCUMENTS**

D479,166 S *	9/2003	Tanaka	.....	D12/163
D494,513 S *	8/2004	Ito	.....	D12/163
D525,920 S *	8/2006	Toyoda	.....	D12/163
D528,480 S *	9/2006	Otsubo	.....	D12/163
D539,194 S *	3/2007	Moses	.....	D12/163
D555,052 S *	11/2007	Suzuki	.....	D12/163
D560,572 S *	1/2008	Okamoto	.....	D12/163
D575,688 S *	8/2008	Miyata	.....	D12/163

D664,479 S *	7/2012	Platto	.....	D12/163
D664,899 S *	8/2012	Platto	.....	D12/163
D668,590 S *	10/2012	Furst	.....	D12/163
D670,214 S *	11/2012	Watanabe	.....	D12/163
D679,225 S *	4/2013	Gifford	.....	D12/163
D691,930 S	10/2013	Song et al.		
D712,316 S *	9/2014	O'Donnell	.....	D12/163
D716,706 S *	11/2014	Thole	.....	D12/163
D721,019 S *	1/2015	Pevovar	.....	D12/163
D769,779 S *	10/2016	Woodhouse	.....	D12/163

**OTHER PUBLICATIONS**

“All-New 2017 Lincoln Continental.” Ford Motor Brochure., Mar. 21, 2016 [online], [retrieved on Nov. 4, 2016]. Retrieved from the Internet <URL: [http://www.auto-brochures.com/makes/lincoln/Continental/Lincoln\\_US%20Continental\\_2017-1.pdf](http://www.auto-brochures.com/makes/lincoln/Continental/Lincoln_US%20Continental_2017-1.pdf)>.\*

(Continued)

*Primary Examiner* — Darlington Ly

(74) *Attorney, Agent, or Firm* — Damian Porcari

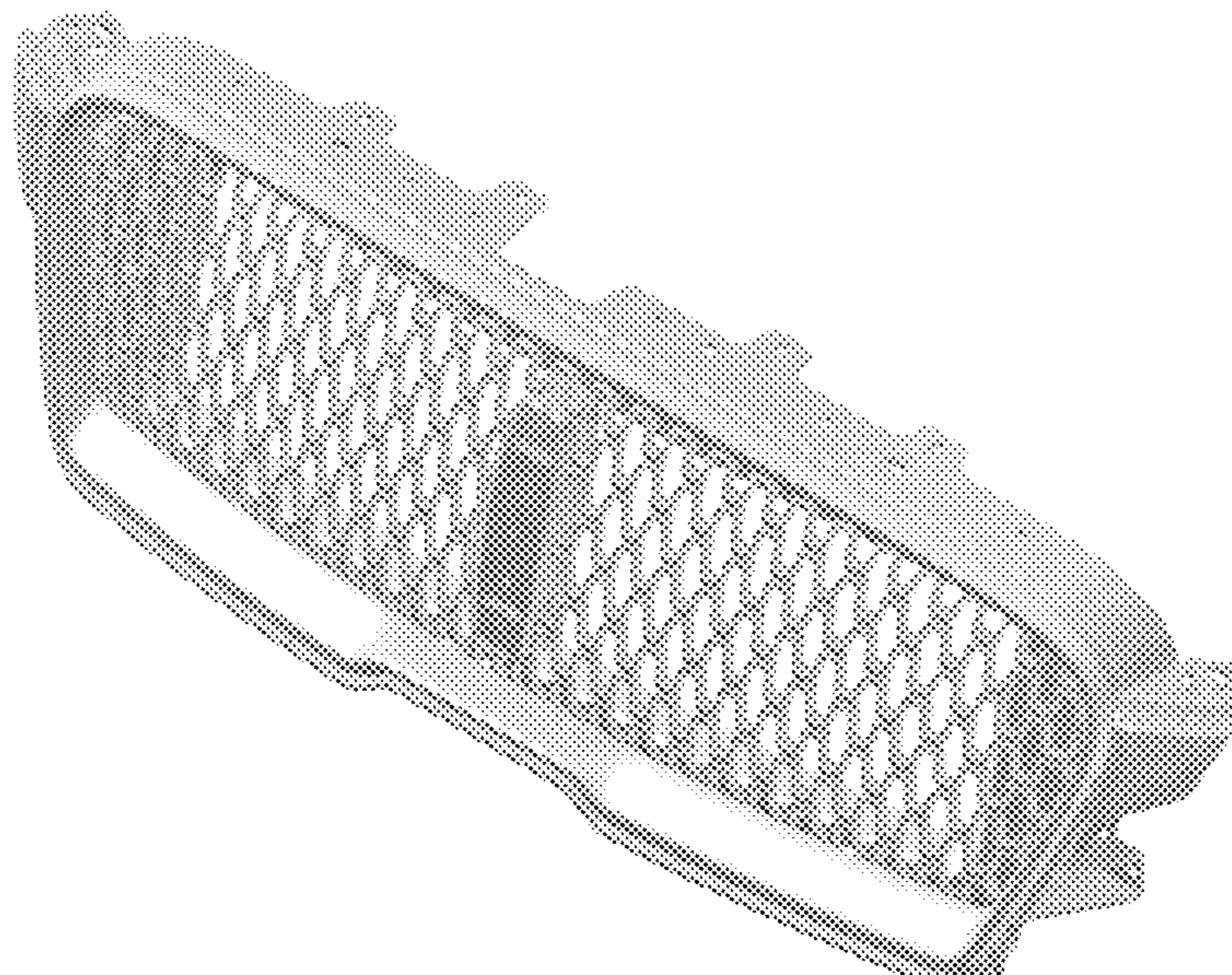
(57) **CLAIM**

The ornamental design for a vehicle front upper grille, as shown and described.

**DESCRIPTION**

FIG. 1 is a top, front, and left side perspective view of the vehicle front upper grille showing our new design; FIG. 2 is a top, front, and right side perspective view thereof; FIG. 3 is a top, rear, and left side perspective view thereof; FIG. 4 is a front elevational view thereof; FIG. 5 is a rear elevational view thereof; FIG. 6 is a left side elevational view thereof; FIG. 7 is a right side elevational view thereof; FIG. 8 is a top plan view thereof; and, FIG. 9 is a bottom plan view thereof.

**1 Claim, 9 Drawing Sheets**



(56)

**References Cited**

OTHER PUBLICATIONS

Prince, Max. "Call it a Comeback: Lincoln Continental arrives in 2016." Road and Track., Mar. 30, 2015 [online], [retrieved on Nov. 4, 2016]. Retrieved from the Internet <URL: <http://www.roadandtrack.com/car-shows/new-york-auto-show/a25417/2015-lincoln-continental-concept-first-look-and-details/>>.\*

Priddle, Alisa. "Lincoln Continental rides again for Ford in 2016." Detroit Free Press., Apr. 1, 2015 [online], [retrieved on Nov. 4, 2016]. Retrieved from the Internet <URL: <http://www.freep.com/story/money/cars/ford/2015/03/30/lincoln-continental-flagship-concept-new-york-auto-show/70643378/>>.\*

<http://www.fordinsideneews.com> 2017 Lincoln MKZ on the streets, dated Apr. 15, 2015.

<http://www.caranddriver.com/news/2017-lincoln-mkz-spy-photos-news> by: Alexander Stoklosa dated May 2015.

\* cited by examiner



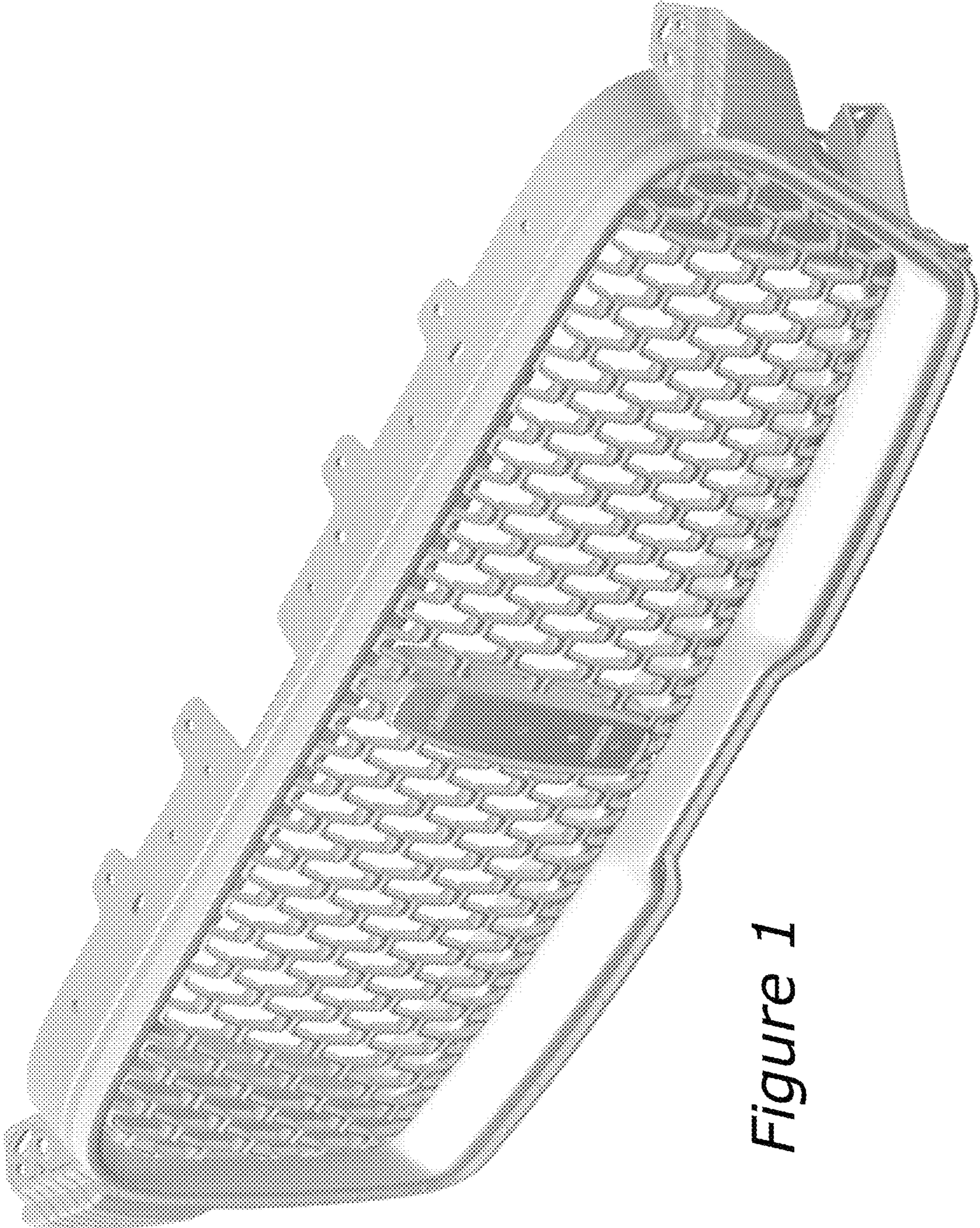


Figure 1



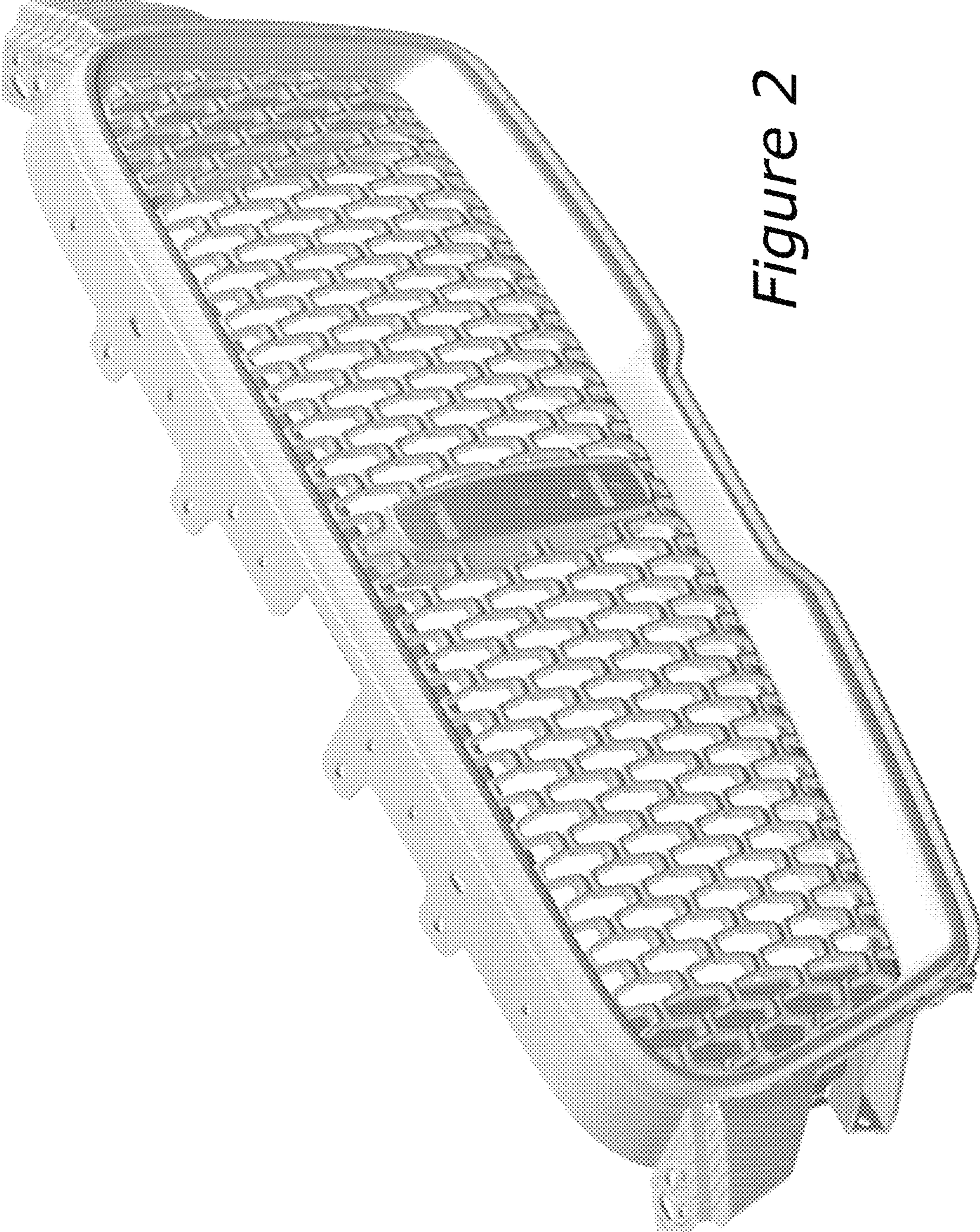


Figure 2



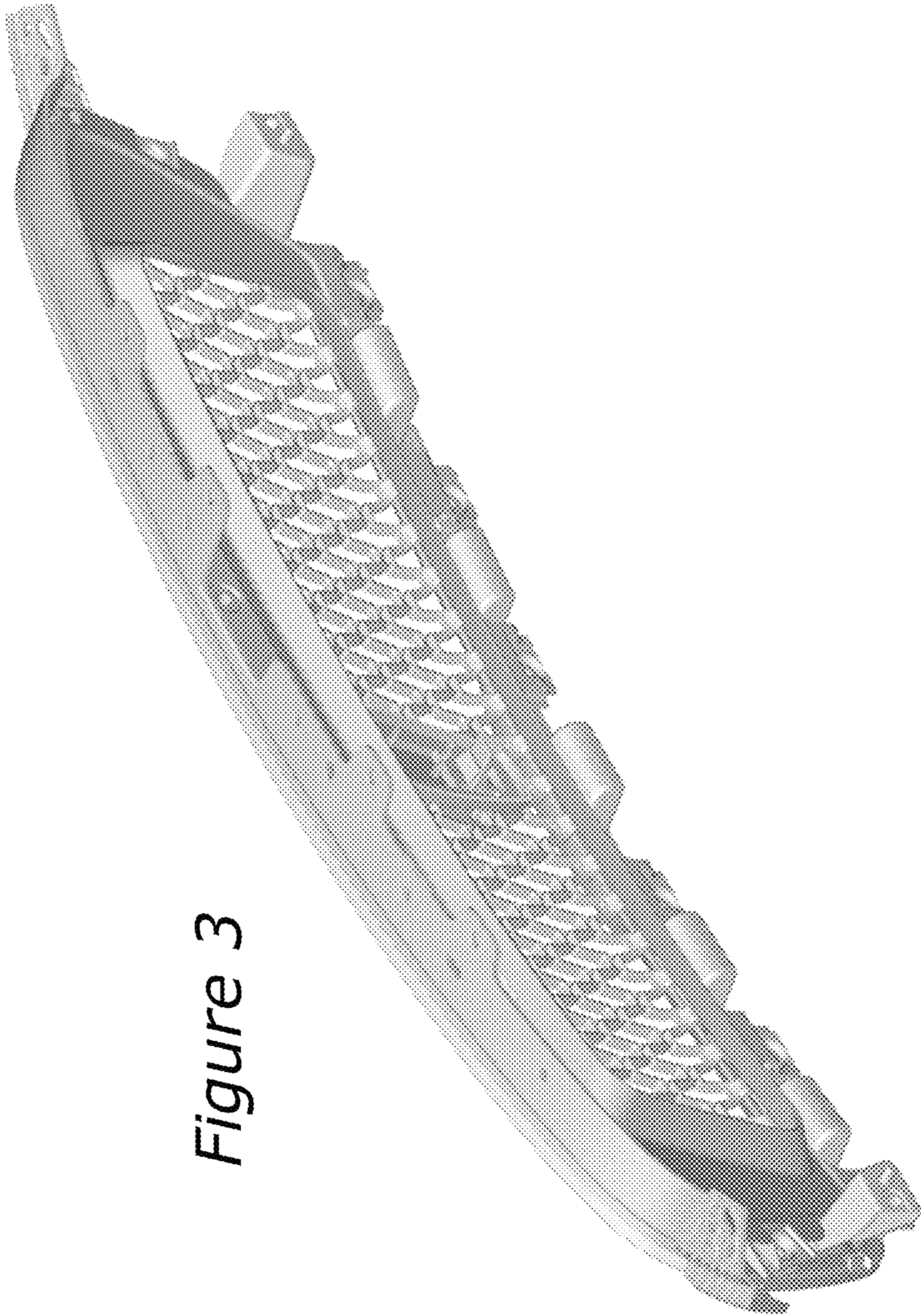


Figure 3



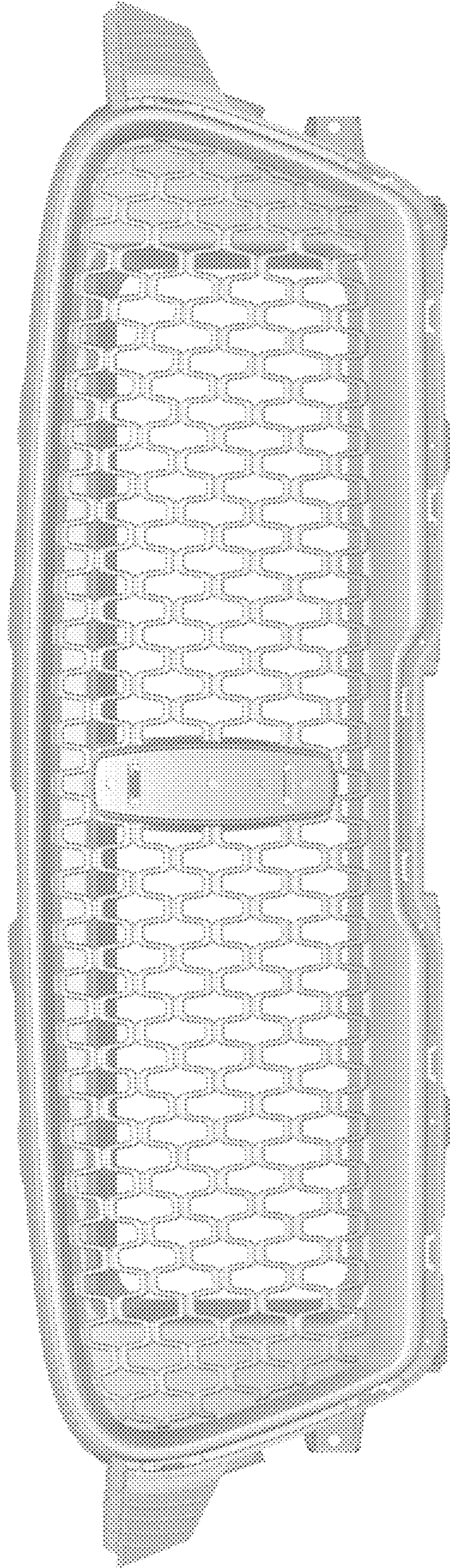


Figure 4



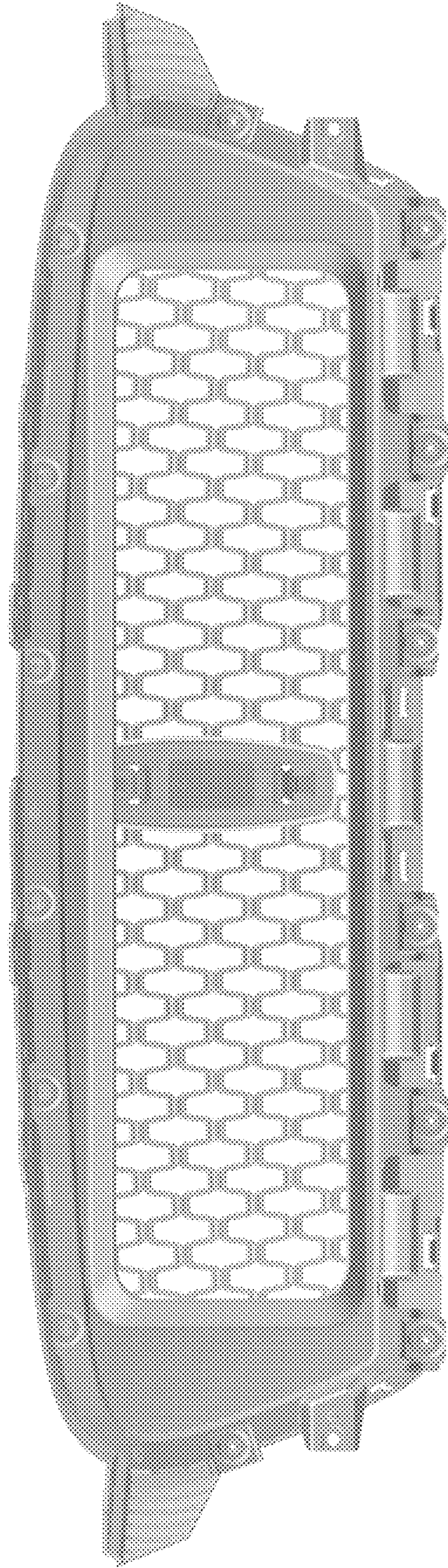


Figure 5

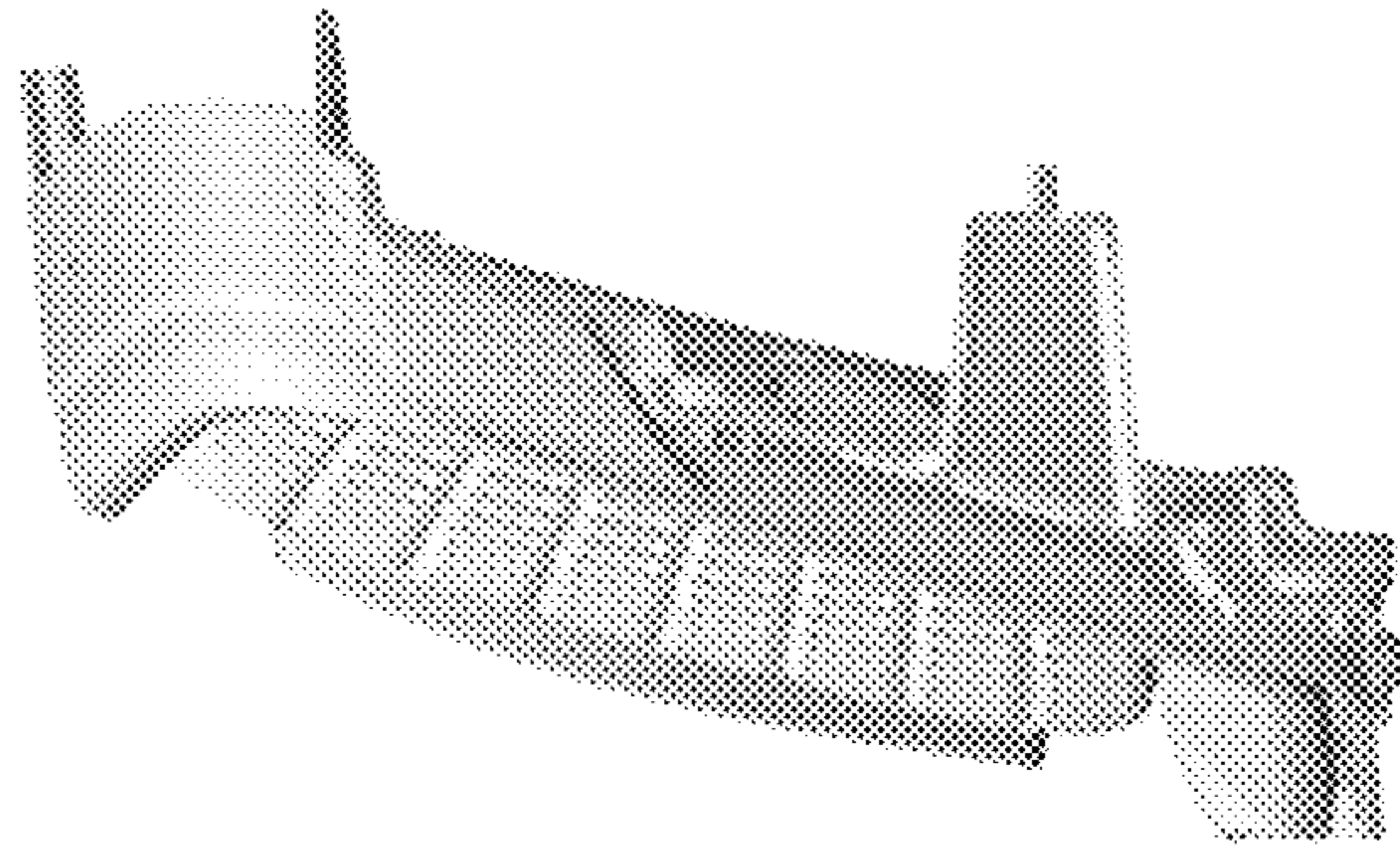


Figure 6



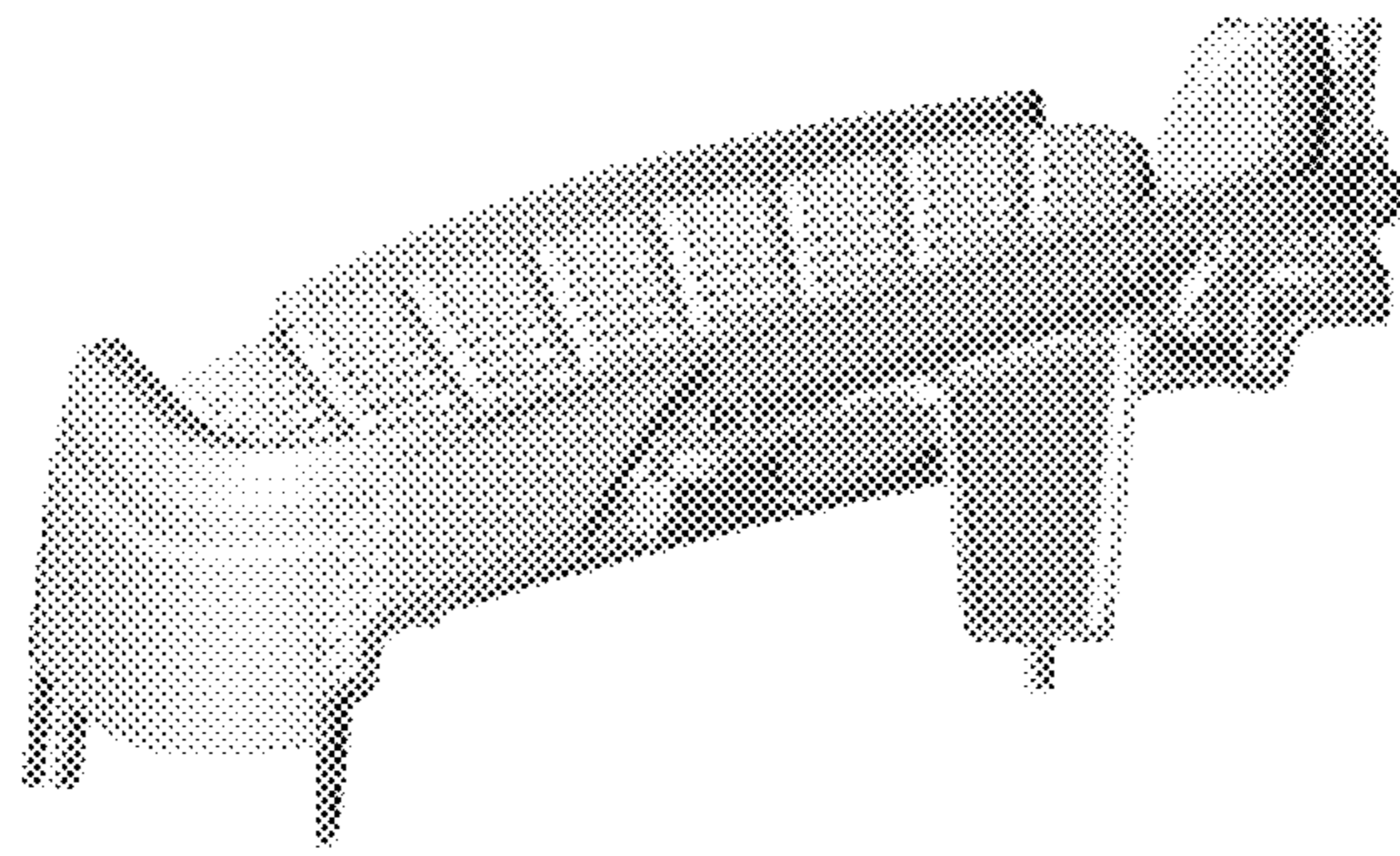


Figure 7



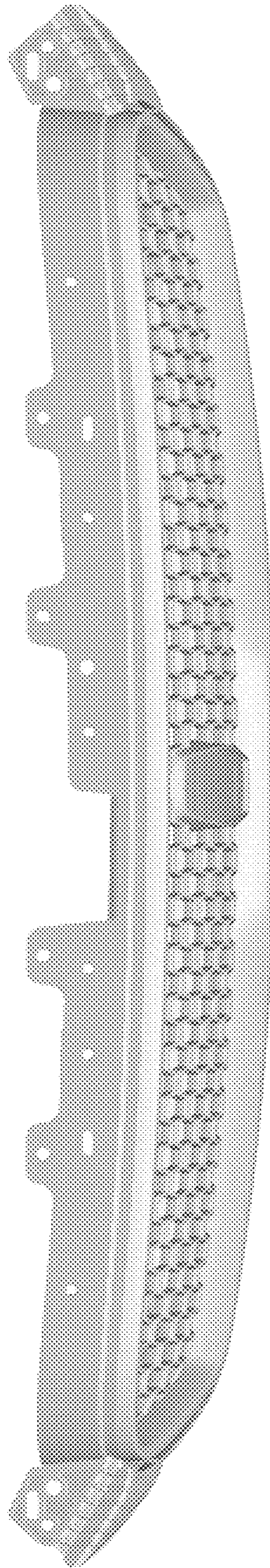


Figure 8



Figure 9

