



US00D781186S

(12) **United States Design Patent** (10) **Patent No.:** **US D781,186 S**  
**Florczak et al.** (45) **Date of Patent:** **\*\* Mar. 14, 2017**

- (54) **ICE BICYCLE**
- (71) Applicants: **Lisa Florczak**, Lancaster, NY (US);  
**Peter Florczak**, Lancaster, NY (US);  
**Charles Roberts**, Elma, NY (US)
- (72) Inventors: **Lisa Florczak**, Lancaster, NY (US);  
**Peter Florczak**, Lancaster, NY (US);  
**Charles Roberts**, Elma, NY (US)

- 3,861,492 A \* 1/1975 Jensen, Sr. .... B62M 27/02  
180/182
- D266,917 S \* 11/1982 Stewart ..... D12/7
- 4,828,280 A \* 5/1989 Kies ..... B62M 29/00  
280/12.14
- D363,902 S \* 11/1995 Wright ..... D12/8
- D382,515 S \* 8/1997 Love ..... D12/10
- D384,912 S \* 10/1997 Lanner ..... D12/7

(Continued)

**FOREIGN PATENT DOCUMENTS**

- (73) Assignee: **ICE BIKES OF BUFFALO LLC**,  
Depew, NY (US)

- CA 2918140 A1 \* 7/2016 ..... B62K 17/00

(\*\*) Term: **14 Years**

**OTHER PUBLICATIONS**

(21) Appl. No.: **29/524,892**

Ice Bikes of Buffalo New York, Pulished on Dec. 19, 2014, 1pg.  
[www.youtube.com/watch?v=a\\_K47-yAOYU.\\*](http://www.youtube.com/watch?v=a_K47-yAOYU.*)

(22) Filed: **Apr. 24, 2015**

(Continued)

(51) **LOC (10) Cl.** ..... **12-11**

*Primary Examiner* — George D Kirschbaum

(52) **U.S. Cl.**

*Assistant Examiner* — Clese Moore, Jr.

USPC ..... **D12/114**

(74) *Attorney, Agent, or Firm* — Hodgson Russ LLP

(58) **Field of Classification Search**

USPC ..... D12/114, 111, 107, 119, 113, 407, 408,  
D12/406, 402, 400, 1, 6, 7, 8, 9, 10  
CPC ..... B62M 29/00; B62M 27/00; B62M 27/02;  
B62K 17/00

(57) **CLAIM**

The ornamental design for an ice bicycle, as shown and described.

See application file for complete search history.

**DESCRIPTION**

(56) **References Cited**

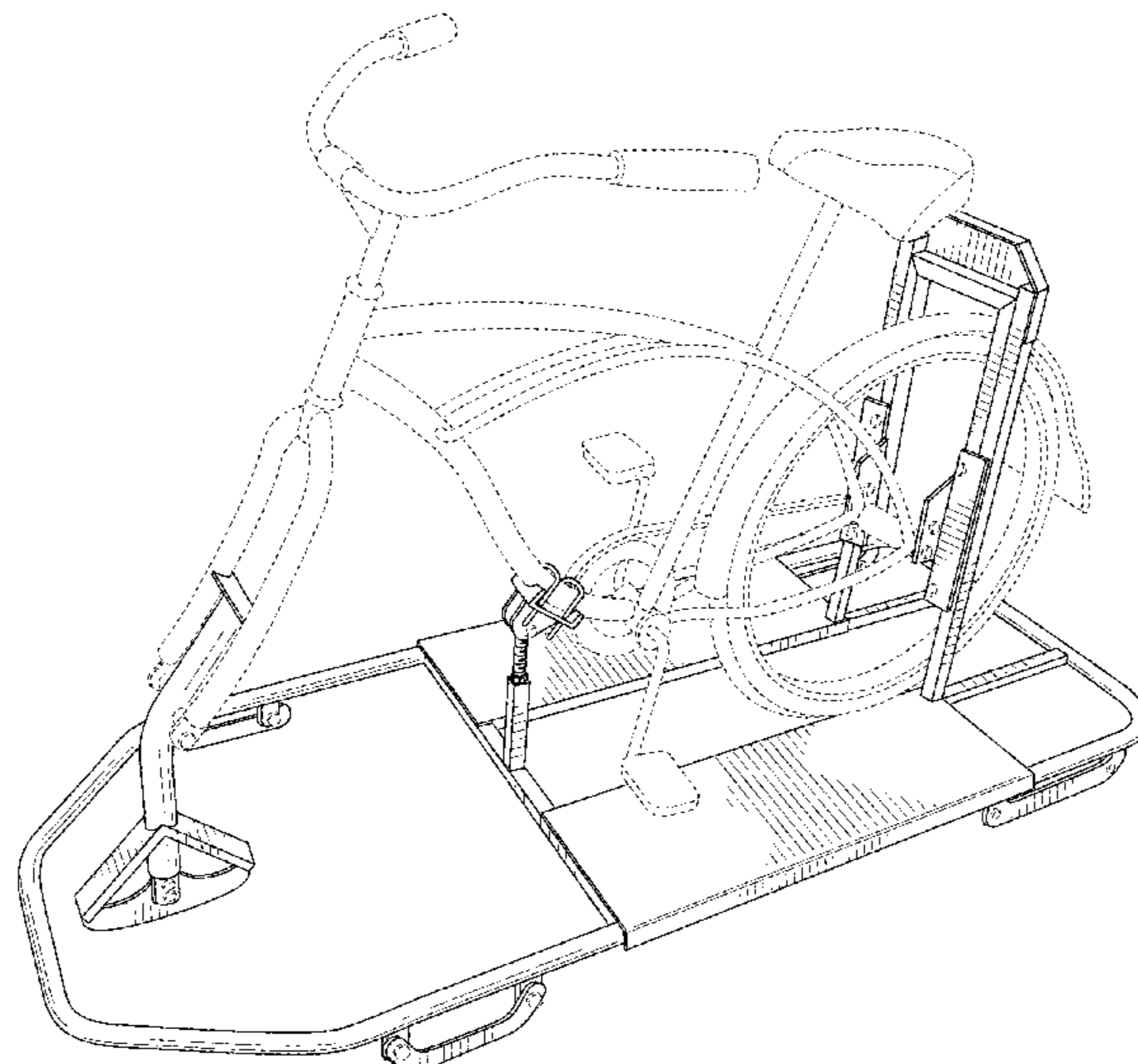
FIG. 1 is a front-right perspective view of an ice bicycle showing my new design, the front-left perspective view being mirror-symmetrical thereto;  
FIG. 2 is a right side view thereof;  
FIG. 3 is a left side view thereof;  
FIG. 4 is a front view thereof;  
FIG. 5 is a rear view thereof;  
FIG. 6 is a top view thereof; and,  
FIG. 7 is a bottom view thereof.

**U.S. PATENT DOCUMENTS**

The broken lines shown illustrate portions of the ice bicycle that form no part of the claimed design.

- 483,422 A 9/1892 Class
- 529,371 A \* 11/1894 Fahrig ..... A63C 17/18  
152/174
- 658,861 A 10/1900 Olson
- 764,442 A \* 7/1904 Erickson et al. .... B62K 13/00  
280/12.14
- 800,186 A 9/1905 Vaughan
- D135,929 S \* 7/1943 Woginrich ..... D12/10
- 3,618,963 A \* 11/1971 Romano ..... B60C 27/08  
180/183
- D223,267 S \* 4/1972 Molzen et al. .... 280/16

**1 Claim, 7 Drawing Sheets**



(56)

**References Cited**

U.S. PATENT DOCUMENTS

D390,500 S \* 2/1998 Walker ..... D12/6  
6,164,670 A \* 12/2000 Abarca ..... B62M 27/00  
180/190  
D492,914 S \* 7/2004 VanPelt, II ..... D12/8  
D567,712 S \* 4/2008 Brazier ..... D12/8  
7,571,913 B2 \* 8/2009 Cheney ..... B62K 13/00  
280/12.1  
D657,288 S \* 4/2012 Lin ..... D12/6  
D706,168 S \* 6/2014 Metzger ..... D12/6  
D723,423 S \* 3/2015 Bock ..... D12/6  
D725,554 S \* 3/2015 Lofgren ..... D12/114  
D736,678 S \* 8/2015 Leyba ..... D12/114  
D766,137 S \* 9/2016 Evans ..... D12/114  
2016/0207586 A1 \* 7/2016 Florczak ..... B62K 17/00

OTHER PUBLICATIONS

Wordpress, Ice Skating, internet page, <http://blog.trick-bike.com/2009/01/25/ice-skating-2/>, Jan. 25, 2009.

\* cited by examiner

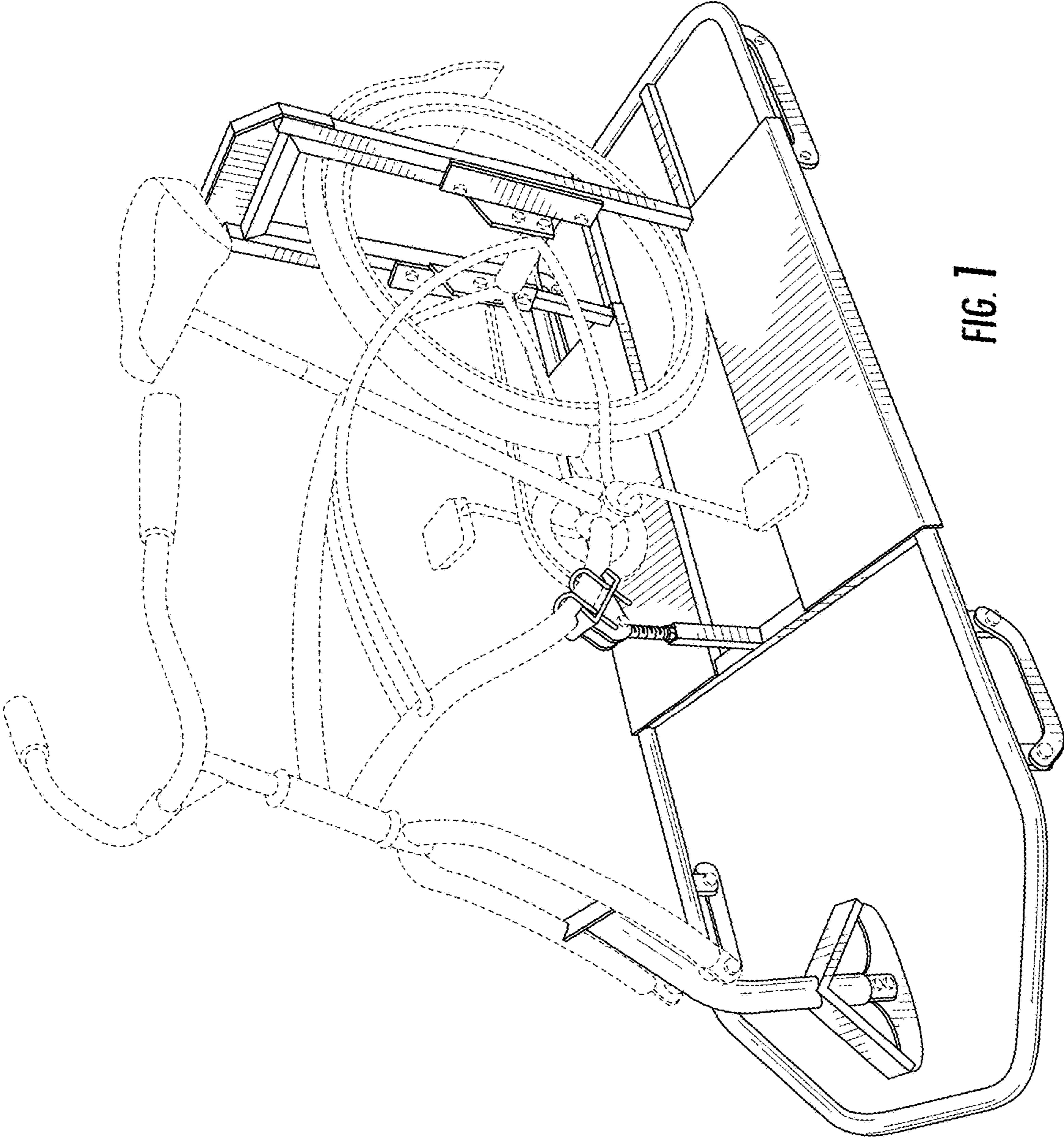


FIG. 1

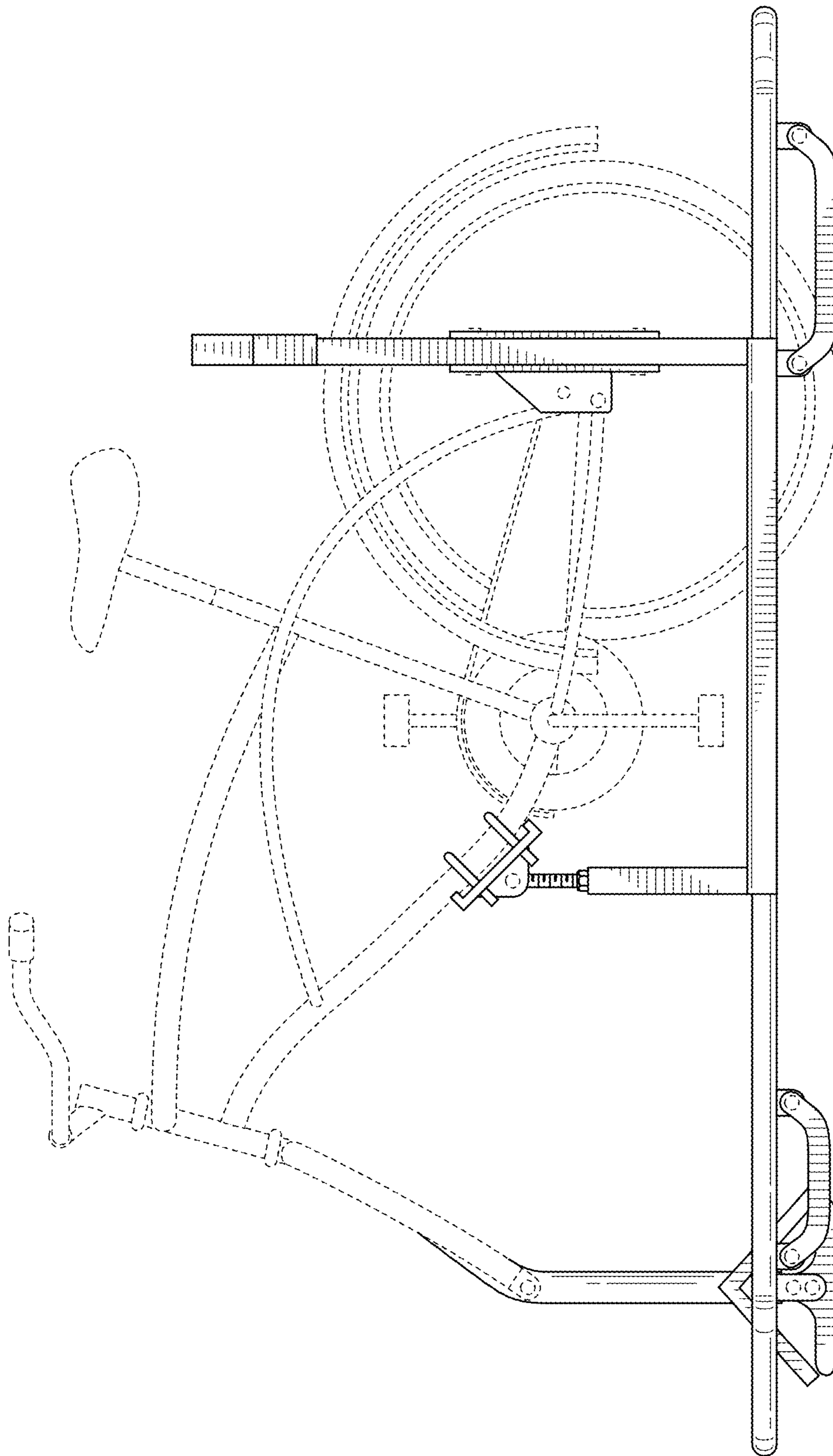


FIG. 2

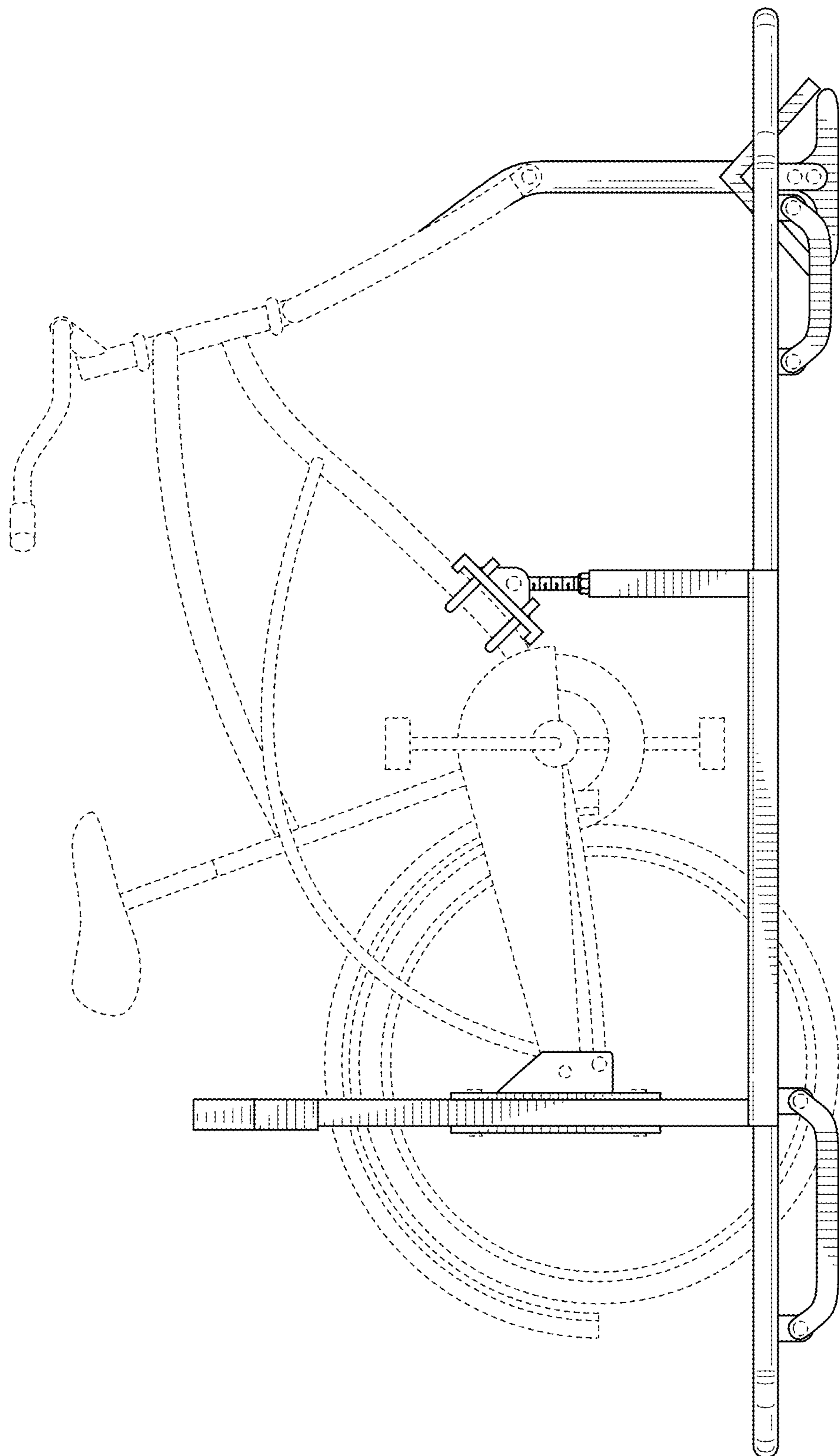


FIG. 3

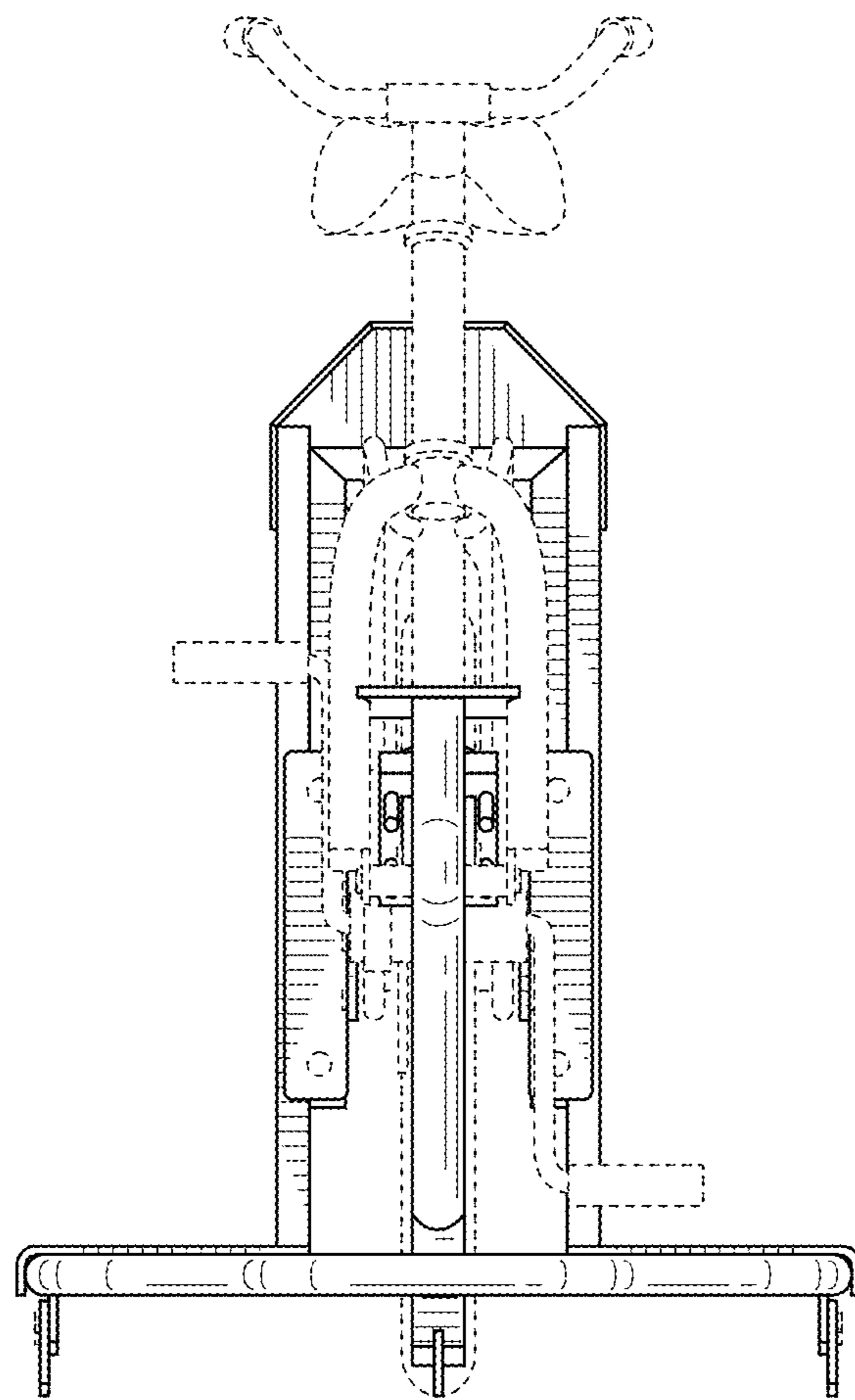


FIG. 4

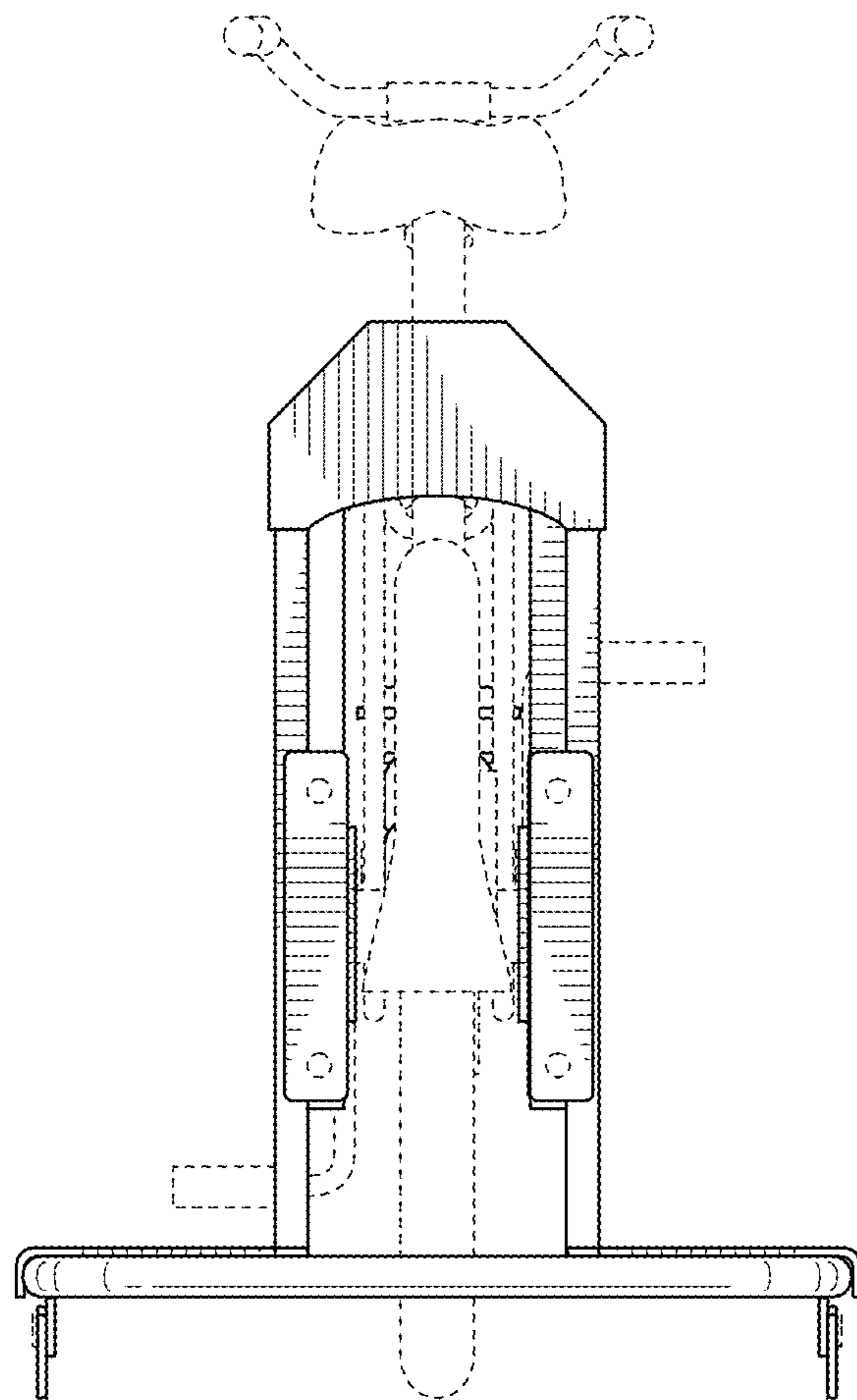


FIG. 5

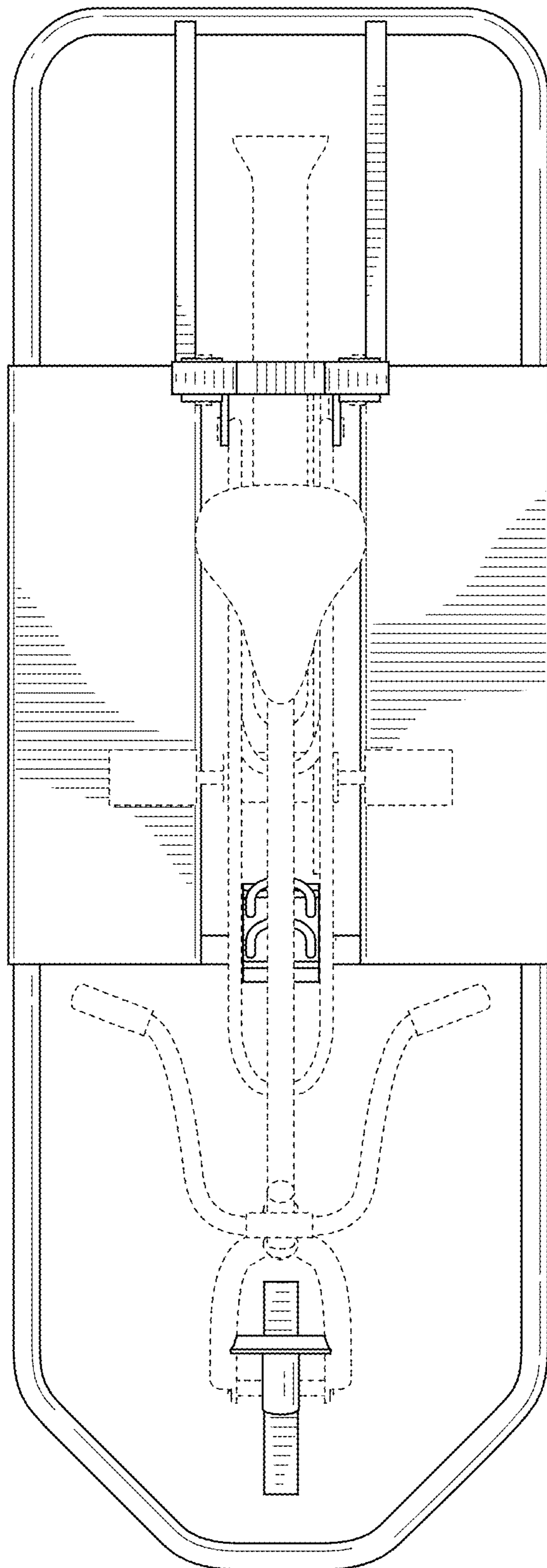


FIG. 6



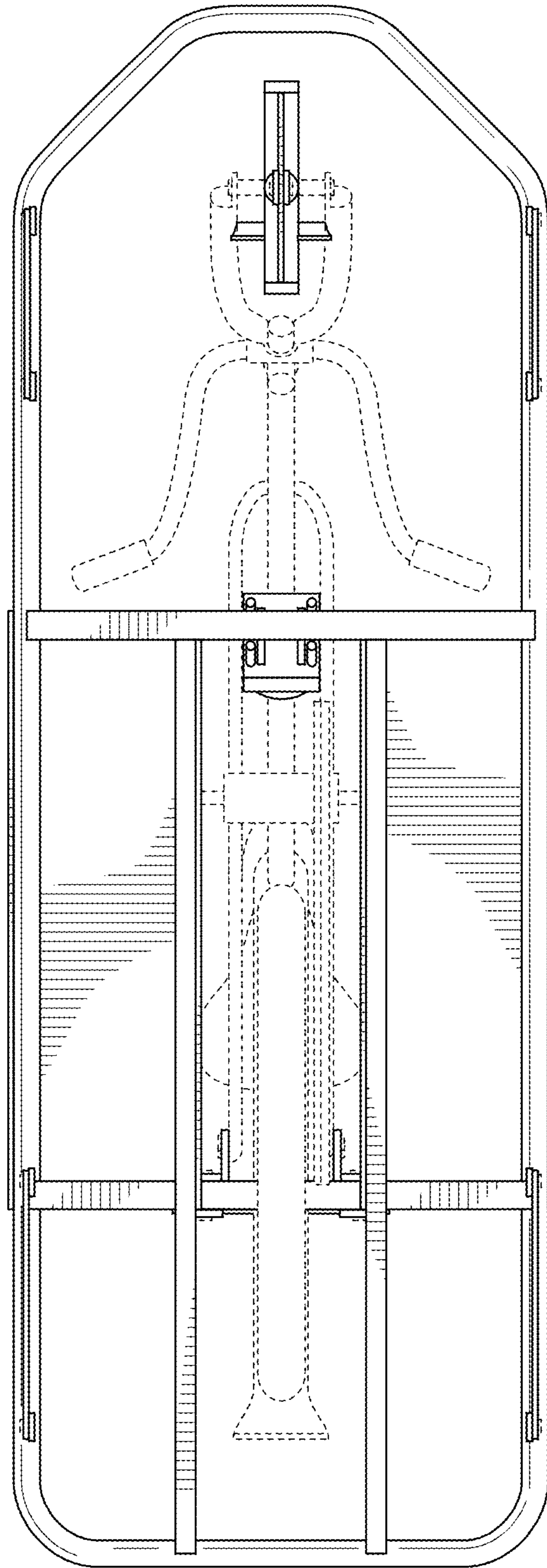


FIG. 7