



US00D781184S

(12) **United States Design Patent**
Thole et al.

(10) **Patent No.:** **US D781,184 S**
(45) **Date of Patent:** **** Mar. 14, 2017**

- (54) **VEHICLE BODY EXTERIOR**
- (71) Applicant: **GM GLOBAL TECHNOLOGY OPERATIONS LLC**, Detroit, MI (US)
- (72) Inventors: **Louis D. Thole**, Grosse Pointe Park, MI (US); **Jesung Ahn**, Sterling Heights, MI (US); **Junglim Huh**, Rochester Hills, MI (US); **Hakan Demir**, Detroit, MI (US); **Aaron D. Riggs**, Shephersville, KY (US)
- (73) Assignee: **GM Global Technology Operations LLC**, Detroit, MI (US)

- D605,082 S 12/2009 Munson
- D605,083 S 12/2009 Manoogian, II et al.
- D605,977 S 12/2009 Zipfel et al.
- D605,978 S 12/2009 Wolff et al.
- D608,249 S 1/2010 Peters
- D608,690 S 1/2010 Folden et al.
- D608,691 S 1/2010 Zak, Jr. et al.
- D609,608 S 2/2010 Boniface et al.

(Continued)

Primary Examiner — Melody N Brown
(74) *Attorney, Agent, or Firm* — Reising Ethington P.C.

(**) Term: **15 Years**

(21) Appl. No.: **29/541,830**

(22) Filed: **Oct. 8, 2015**

(51) **LOC (10) Cl.** **12-08**

(52) **U.S. Cl.**
USPC **D12/92**

(58) **Field of Classification Search**
USPC D12/86, 90-92, 88; D21/421, 433, 434;
296/181.1, 181.5
CPC B62D 35/00; B62D 25/00; B62D 25/06;
B62D 33/00
See application file for complete search history.

(56) **References Cited**

U.S. PATENT DOCUMENTS

- D570,742 S 6/2008 Takagi et al.
- D592,105 S 5/2009 Dean et al.
- D597,447 S 8/2009 Folden
- D600,595 S 9/2009 Nakamura et al.
- D601,925 S 10/2009 O'Donnell
- D603,755 S 11/2009 Peters
- D604,203 S 11/2009 O'Donnell

(57) **CLAIM**

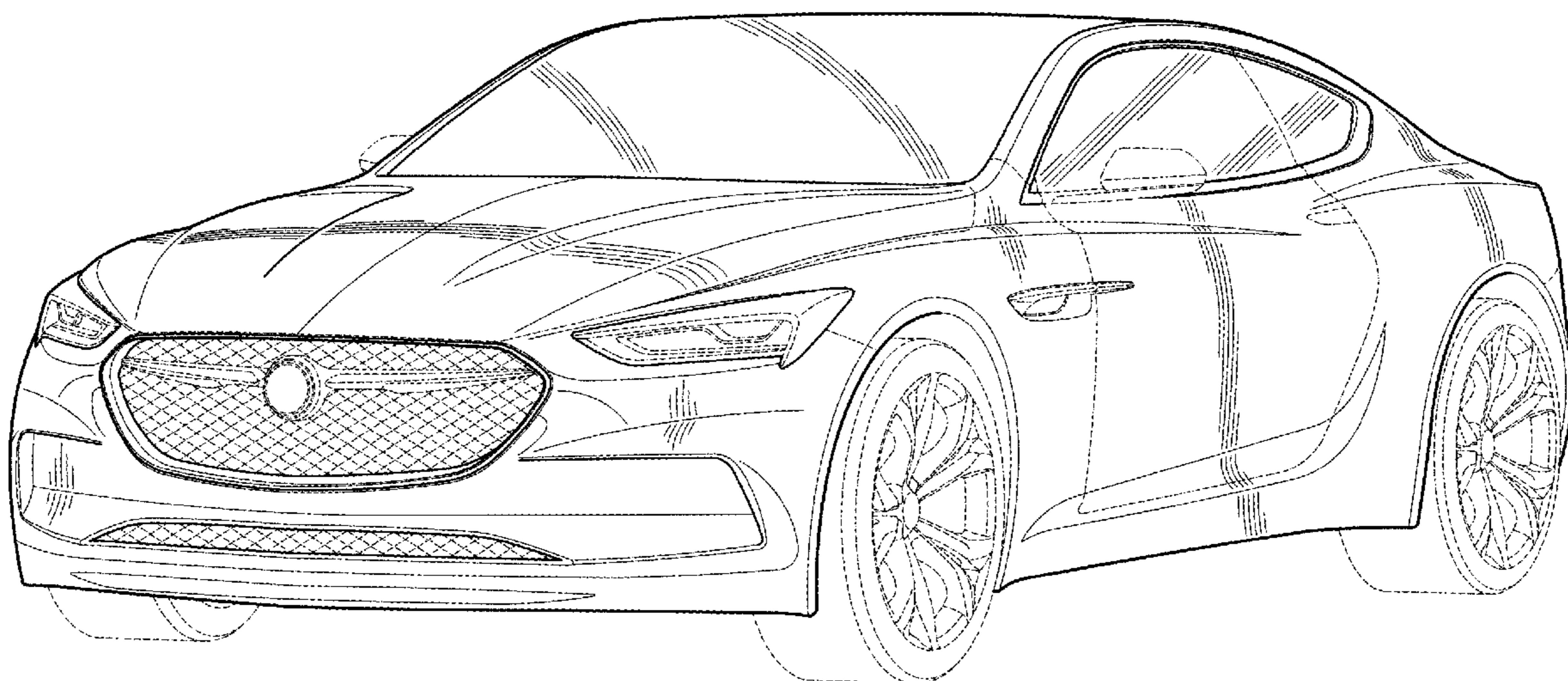
The ornamental design for a vehicle body exterior, as shown and described.

DESCRIPTION

FIG. 1 is a front and left side perspective view of a vehicle body exterior showing our new design;
 FIG. 2 is a rear and left side perspective view thereof;
 FIG. 3 is a left side elevation view thereof, the right side being a mirror image thereof;
 FIG. 4 is a front view thereof;
 FIG. 5 is a rear view thereof;
 FIG. 6 is a top plan view thereof;
 FIG. 7 is a front and left side perspective view of a vehicle body exterior showing a second embodiment of our new design;
 FIG. 8 is a rear and left side perspective view thereof;
 FIG. 9 is a left side elevation thereof, the right side being a mirror image of FIG. 7;
 FIG. 10 is a front view thereof;
 FIG. 11 is a rear view thereof; and,
 FIG. 12 is a top plan view thereof.

The broken lines shown in the drawings depict portions of the vehicle body exterior that form no part of the claimed design.

1 Claim, 10 Drawing Sheets



(56)

References Cited

U.S. PATENT DOCUMENTS

D611,387 S 3/2010 Thompson et al.
 D611,879 S 3/2010 Kim et al.
 D612,297 S 3/2010 Peters et al.
 D613,645 S 4/2010 Song et al.
 D615,458 S 5/2010 Thompson et al.
 D618,595 S 6/2010 Ware et al.
 D623,090 S 9/2010 Cox et al.
 D627,262 S 11/2010 Ikeda et al.
 D635,488 S 4/2011 Phipps
 D644,147 S 8/2011 Suh et al.
 D644,567 S 9/2011 Kozub
 D657,718 S 4/2012 Zipfel et al.
 D659,052 S 5/2012 Ware et al.
 D659,053 S 5/2012 Ware et al.
 D668,182 S 10/2012 Barba Franco
 D668,183 S 10/2012 Smart
 D678,820 S 3/2013 Son et al.
 D678,821 S 3/2013 Ikeda et al.
 D680,909 S 4/2013 Munson et al.
 D680,910 S 4/2013 David
 D684,899 S 6/2013 Baker
 D686,536 S 7/2013 McCabe et al.
 D692,798 S 11/2013 Thurber
 D692,799 S 11/2013 Smith et al.
 D696,157 S 12/2013 Loeb
 D699,629 S 2/2014 Ikeda et al.
 D700,871 S 3/2014 O'Donnell et al.
 D703,103 S 4/2014 Lee
 D704,103 S 5/2014 Mack et al.
 D704,598 S * 5/2014 Mueller D12/92
 D705,132 S 5/2014 Ware et al.
 D705,699 S 5/2014 Ware et al.

D713,298 S * 9/2014 Dyson D12/92
 D713,764 S 9/2014 Ferlazzo
 D716,696 S 11/2014 Thole et al.
 D716,706 S 11/2014 Thole et al.
 D716,709 S 11/2014 Thole et al.
 D717,696 S 11/2014 Thole et al.
 D718,189 S 11/2014 Krieg et al.
 D718,683 S 12/2014 Thole et al.
 D719,878 S * 12/2014 Webber D12/92
 D722,282 S 2/2015 Loeb
 D722,533 S 2/2015 Thole et al.
 D722,534 S 2/2015 Munson et al.
 D724,510 S 3/2015 McMahan et al.
 D725,001 S 3/2015 McMahan et al.
 D726,591 S 4/2015 Jacob
 D730,776 S 6/2015 Smart
 D730,783 S 6/2015 Henriques et al.
 D732,427 S 6/2015 Loeb
 D732,429 S 6/2015 Loeb
 D732,430 S 6/2015 Loeb
 D732,431 S 6/2015 Loeb
 D732,432 S 6/2015 Aengenheyster
 D732,433 S 6/2015 Aengenheyster
 D732,435 S 6/2015 Mackay
 D733,002 S 6/2015 Loeb
 D735,611 S 8/2015 Aengenheyster
 D735,627 S 8/2015 Smith
 D736,451 S 8/2015 Smith
 D739,306 S 9/2015 McMahan et al.
 D739,317 S 9/2015 McMahan et al.
 D748,535 S * 2/2016 Hatton D12/92
 D758,921 S * 6/2016 Hatton D12/92
 D761,159 S * 7/2016 Lesnik D12/92
 D770,942 S * 11/2016 Woodhouse D12/92

* cited by examiner

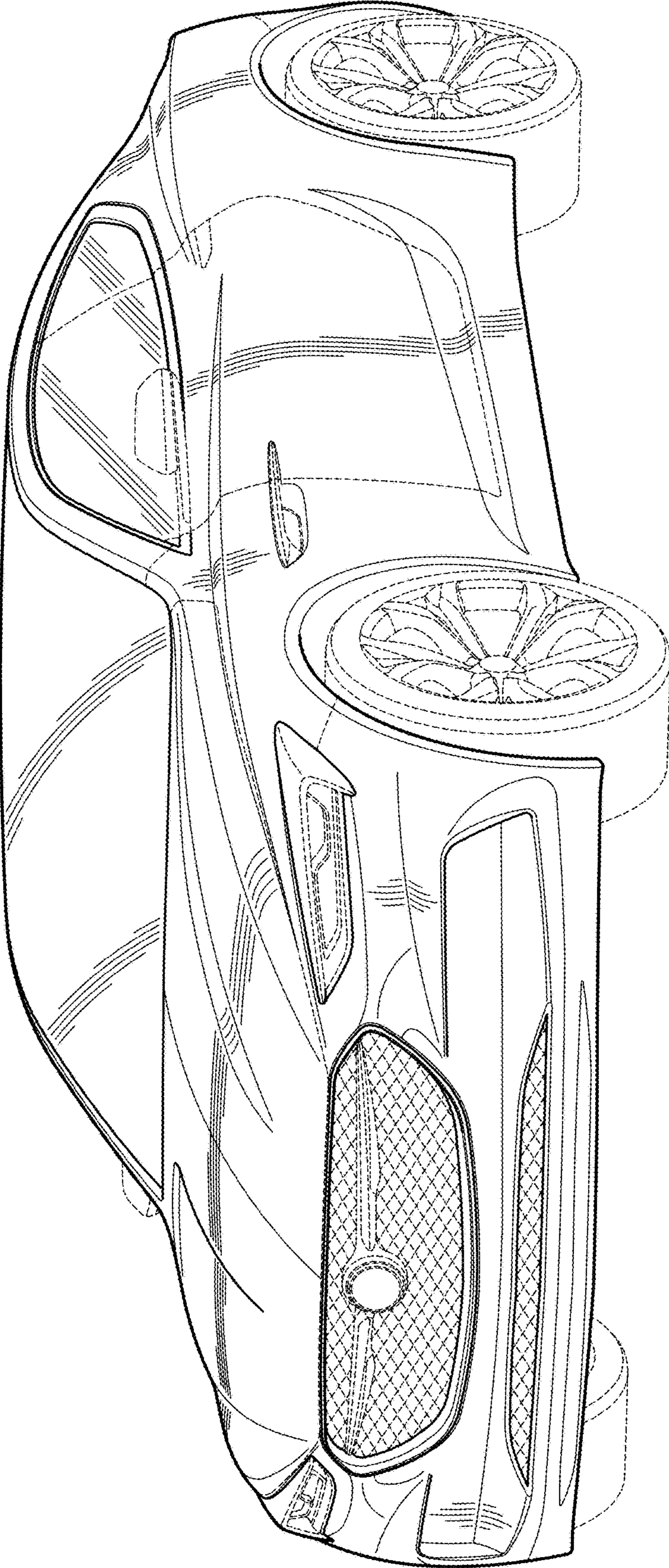


FIG. 1

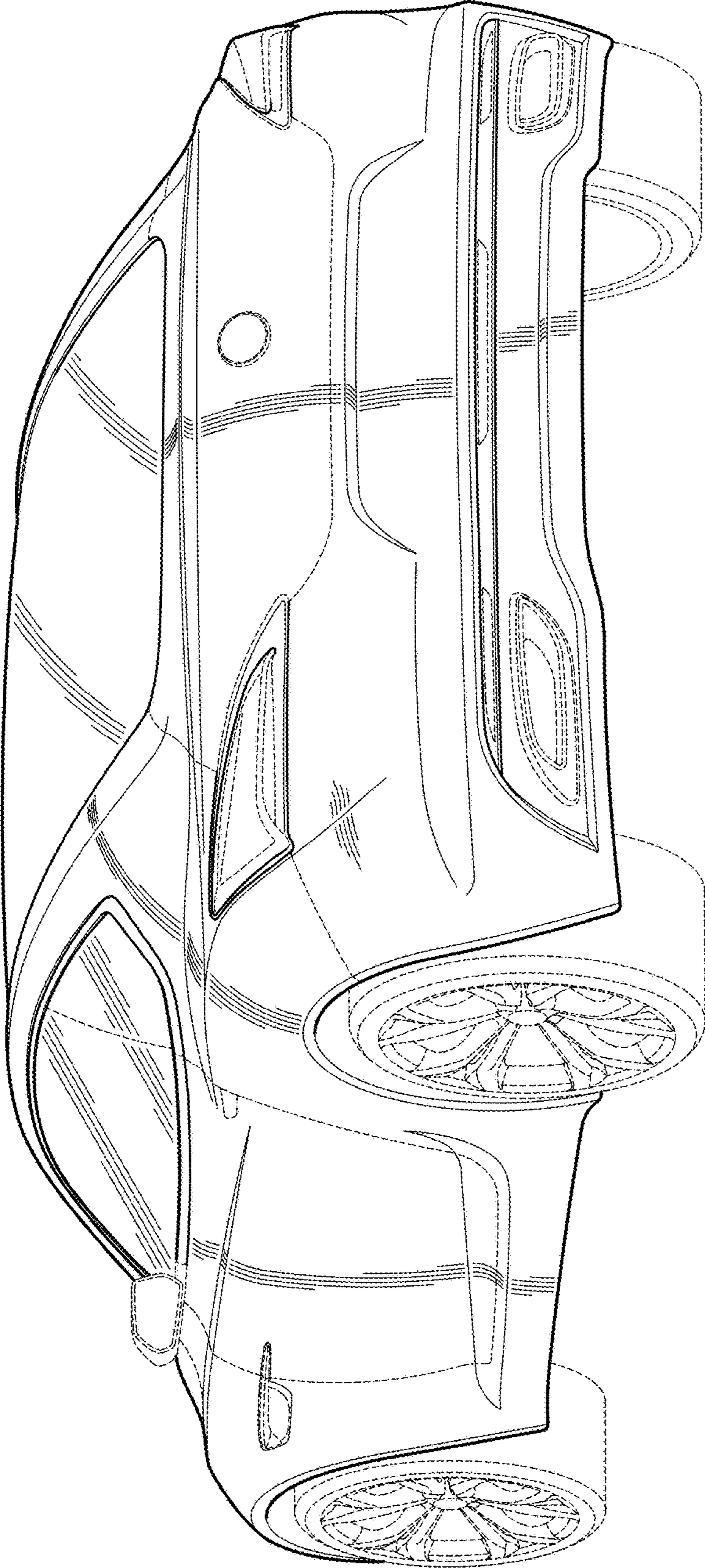


FIG. 2

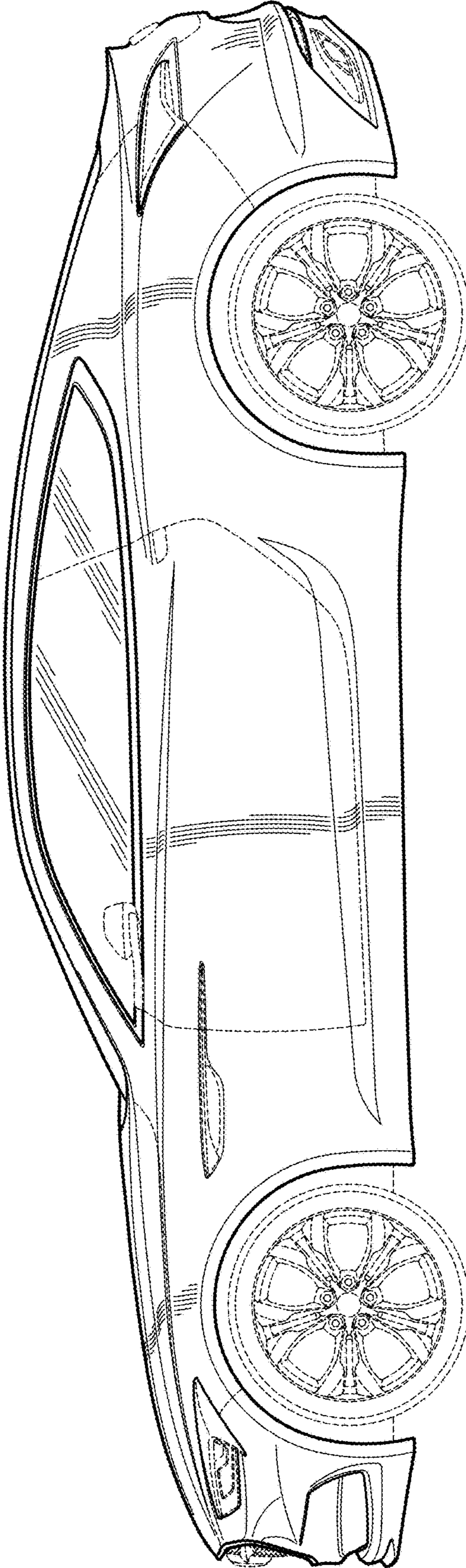


FIG. 3

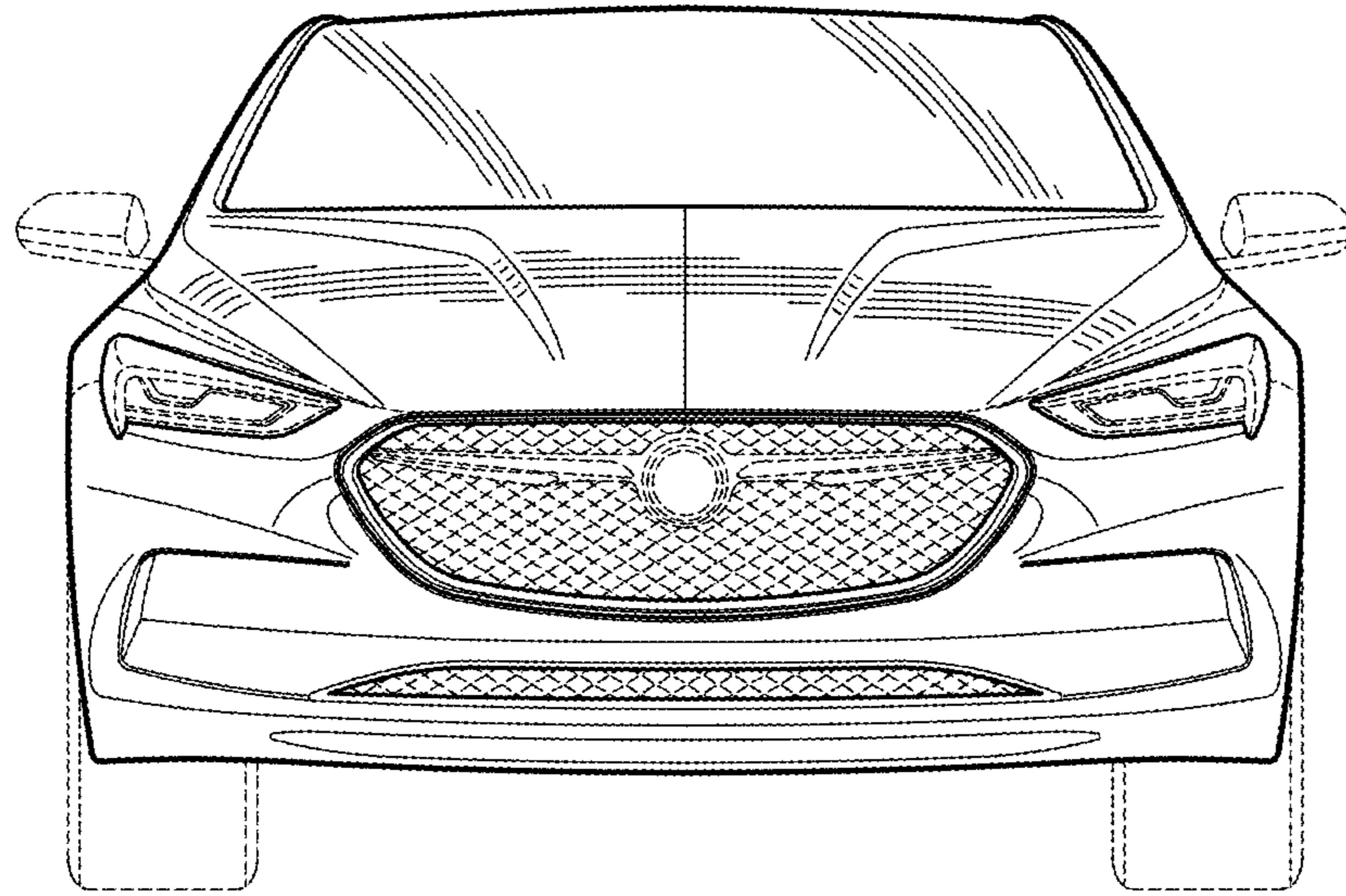


FIG. 4

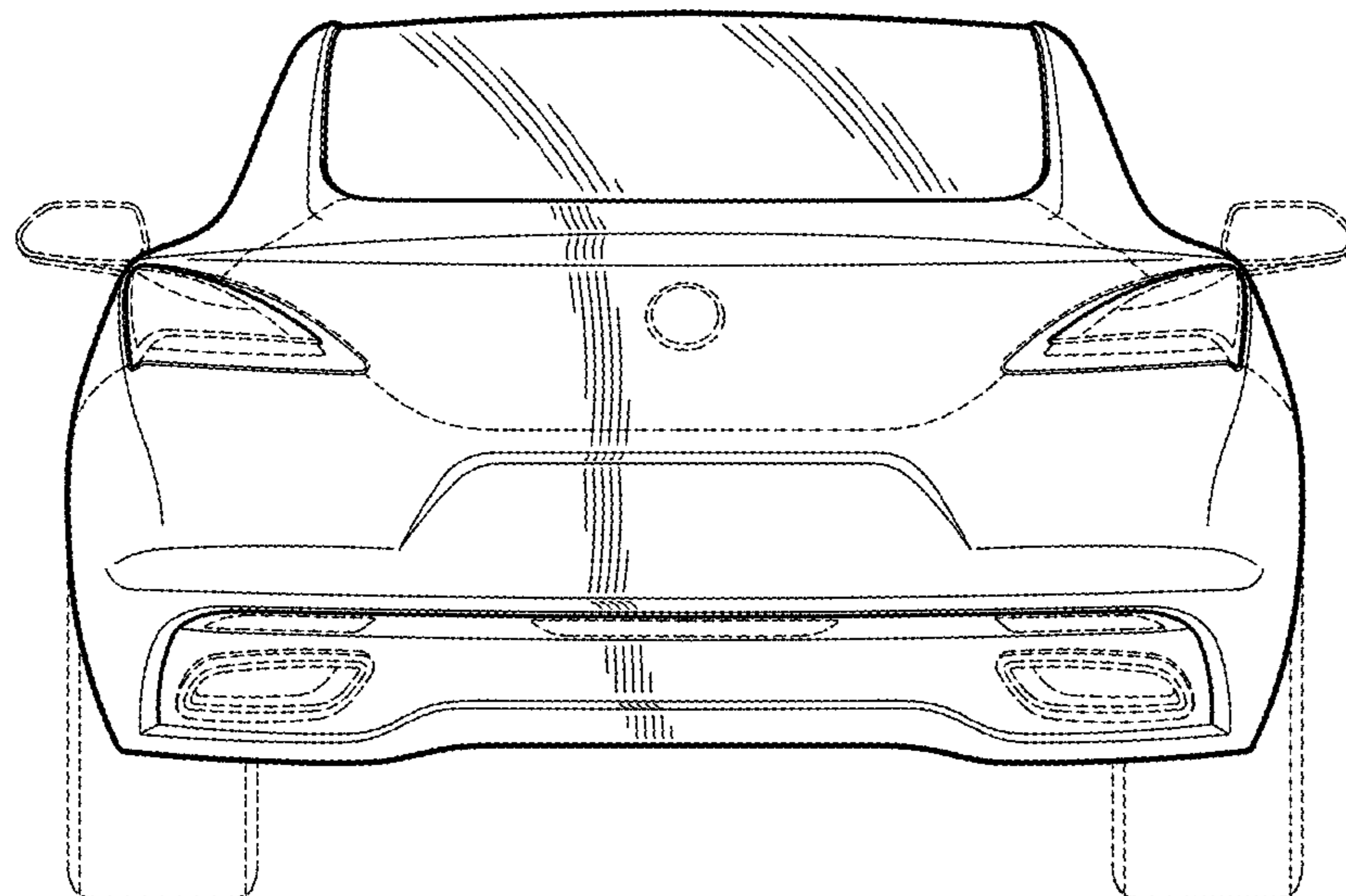


FIG. 5

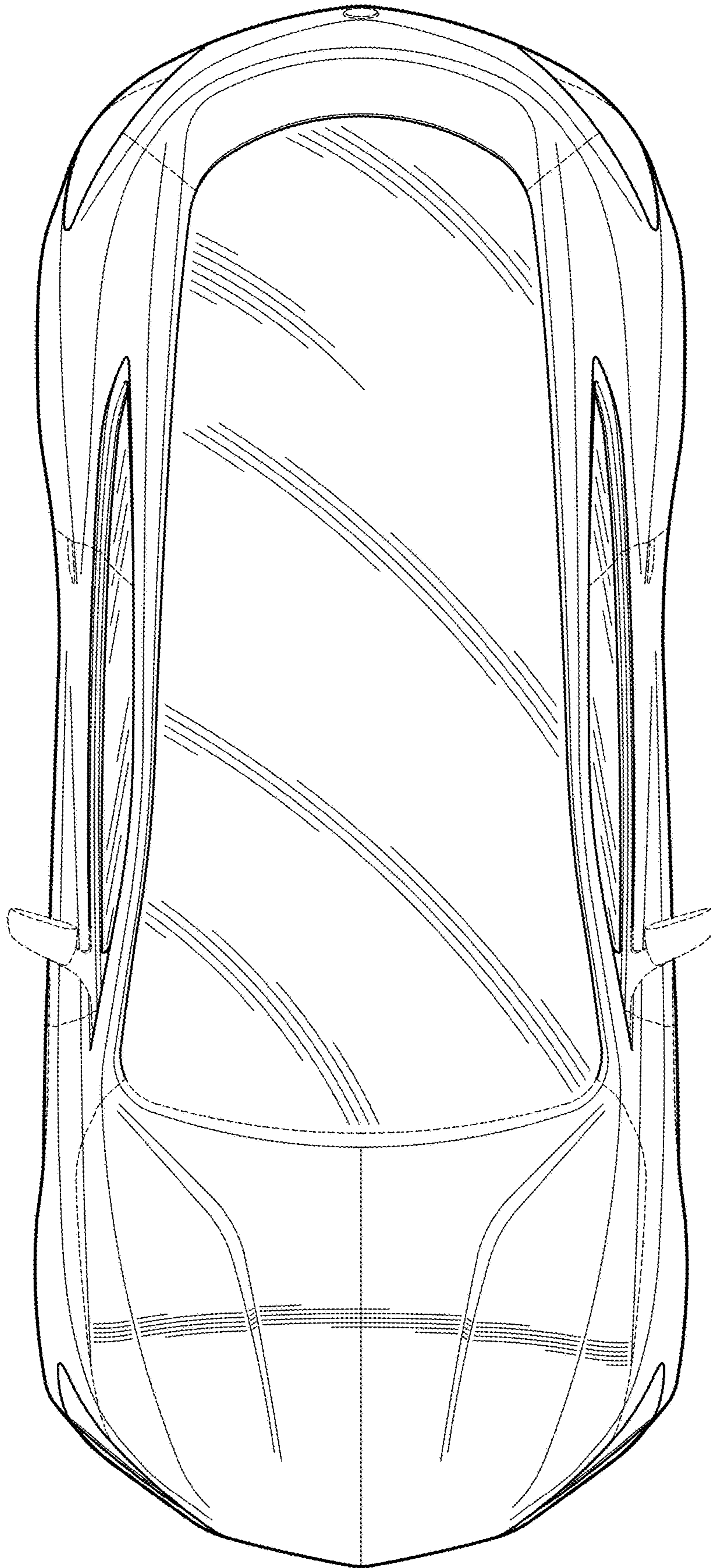


FIG. 6

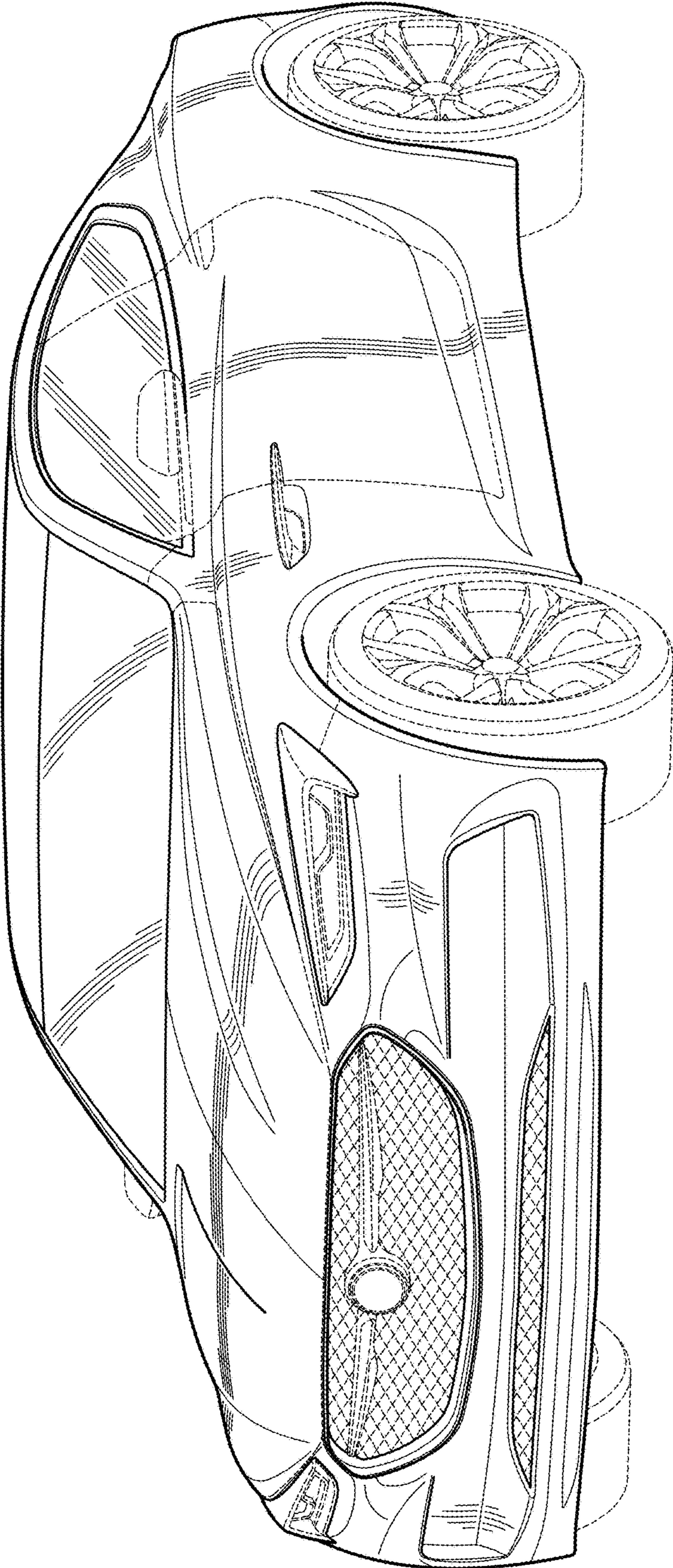


FIG. 7

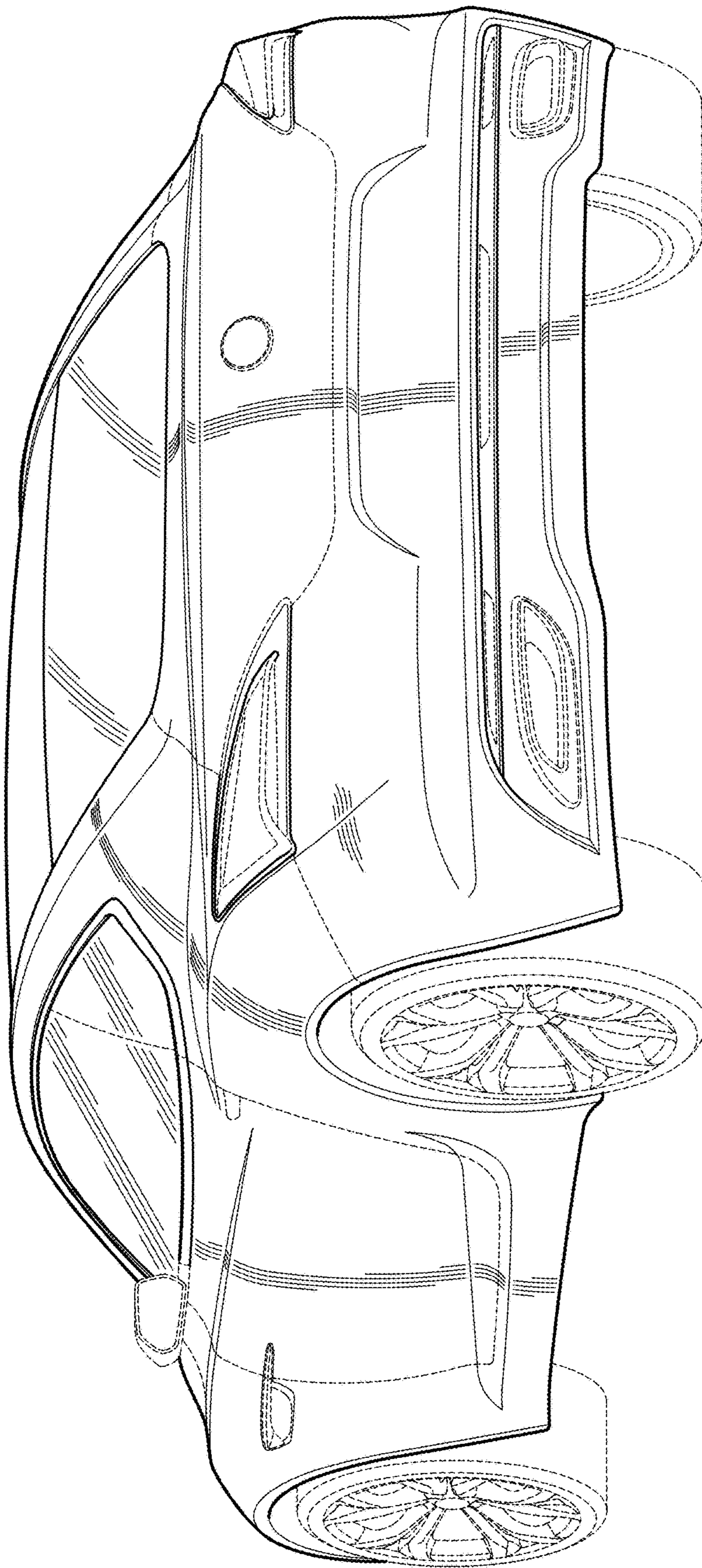


FIG. 8

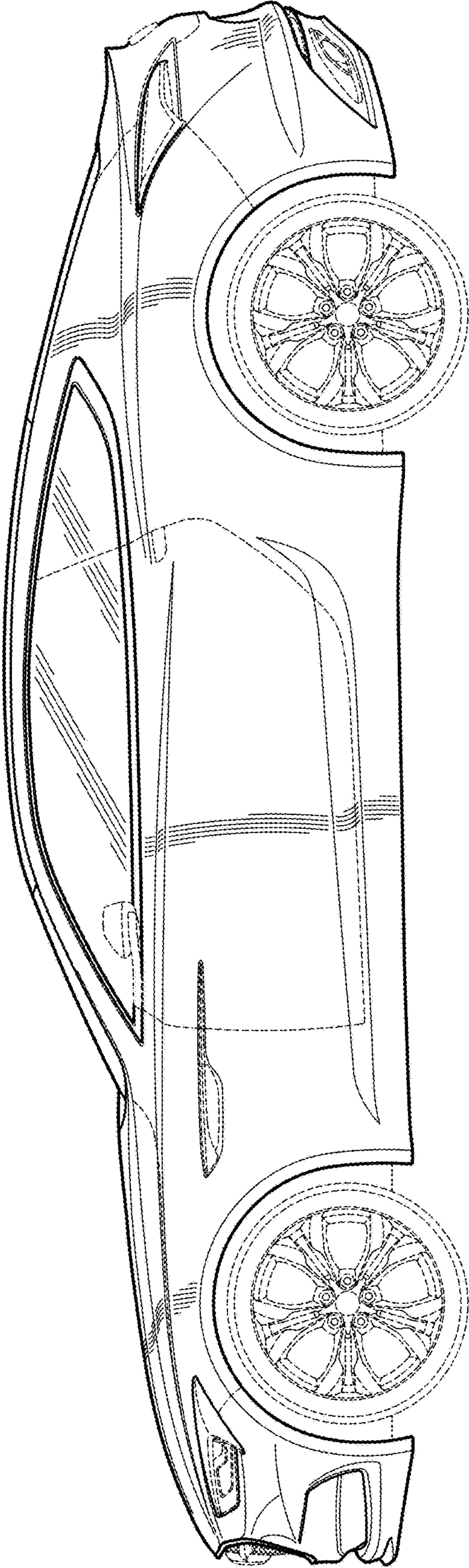


FIG. 9

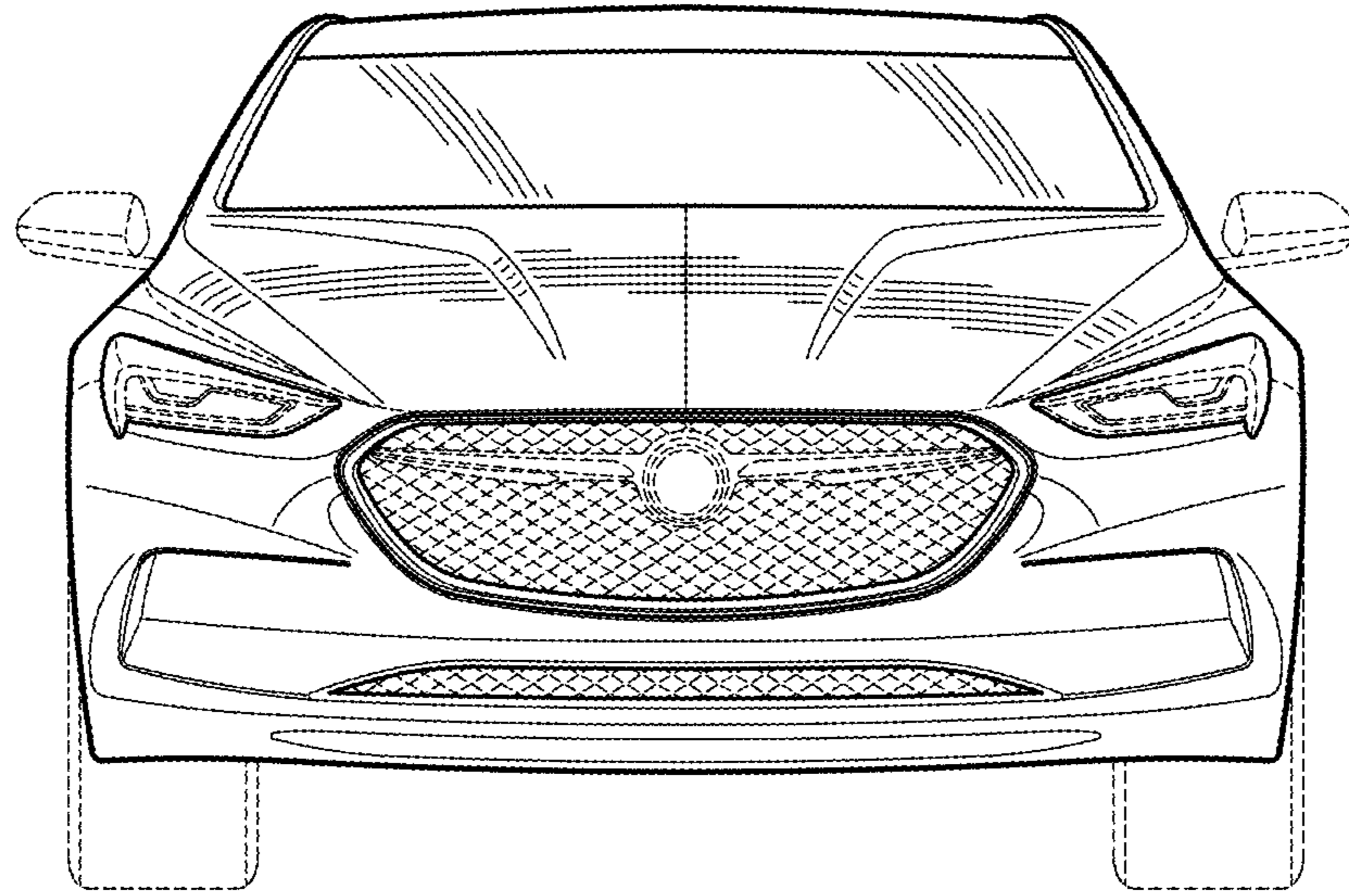


FIG. 10

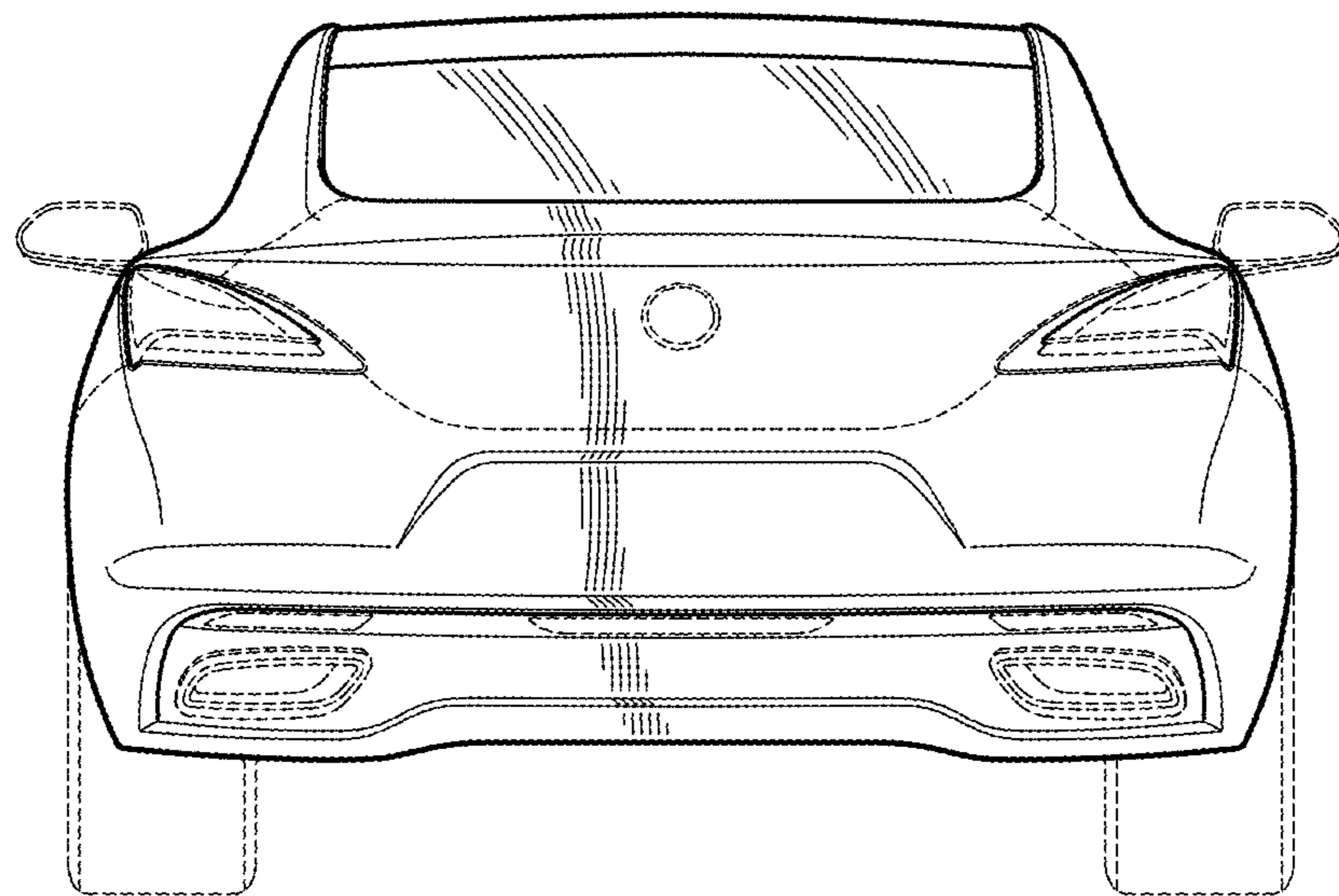


FIG. 11

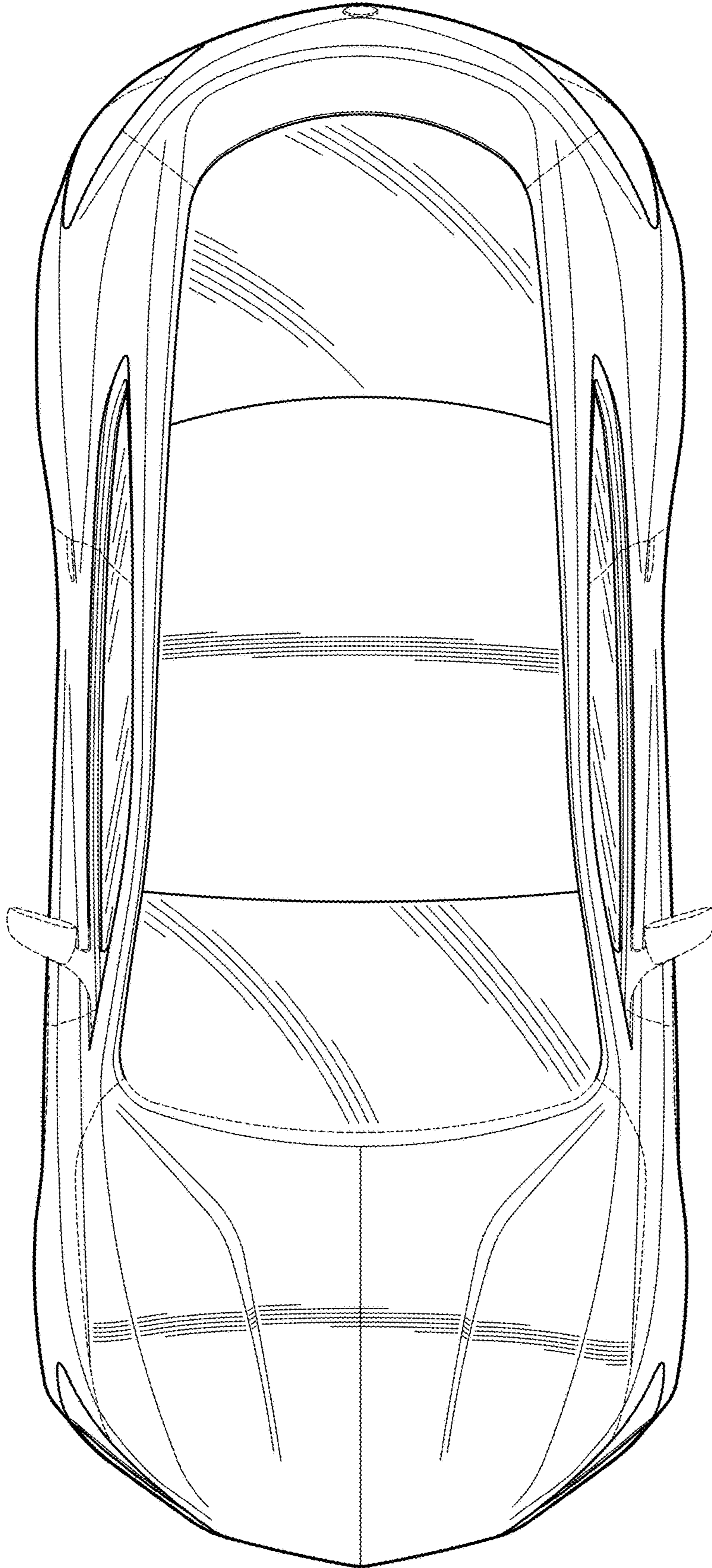


FIG. 12