



US00D781178S

(12) **United States Design Patent**  
**Harpole**

(10) **Patent No.:** **US D781,178 S**

(45) **Date of Patent:** **\*\* Mar. 14, 2017**

(54) **INTERCHANGEABLE BUTTON ASSEMBLY**

(71) Applicant: **Joseph Randall Harpole**, Brooklyn, NY (US)

(72) Inventor: **Joseph Randall Harpole**, Brooklyn, NY (US)

(\*\*) Term: **14 Years**

(21) Appl. No.: **29/493,629**

(22) Filed: **Jun. 11, 2014**

(51) **LOC (10) Cl.** ..... **02-07**

(52) **U.S. Cl.**  
USPC ..... **D11/222**

(58) **Field of Classification Search**  
USPC ..... D11/222-223, 228; 24/90.1, 92, 94-95, 24/102 E, 103-105, 108, 109, 113 MP, 24/113 R, 114.4, 114.7, 114.8, 704.1, 24/102 PL; D8/387, 399; 63/1.17; 402/63; 411/41, 55; 281/27.3  
CPC .... A44B 5/00; A44B 1/28; A44B 1/34; A44B 1/30; A44B 1/24; A44B 1/44; A44B 1/22; A44B 1/08; A44B 1/32; A44B 1/14; A44B 1/04; B42F 13/00; F16B 12/26; F16B 19/1081

See application file for complete search history.

(56) **References Cited**

**U.S. PATENT DOCUMENTS**

1,461,524 A \* 7/1923 Goodard ..... A44B 5/00  
24/102 E  
1,973,789 A \* 9/1934 Anderson ..... B42F 13/00  
281/27.3

2,023,457 A \* 12/1935 White ..... A44B 1/28  
24/104  
2,228,043 A \* 1/1941 Baggerud ..... A44B 1/34  
24/114.7  
2,453,227 A \* 11/1948 Janes ..... A44B 1/28  
24/95

(Continued)

*Primary Examiner* — Ian Simmons  
*Assistant Examiner* — Mark Cavanna

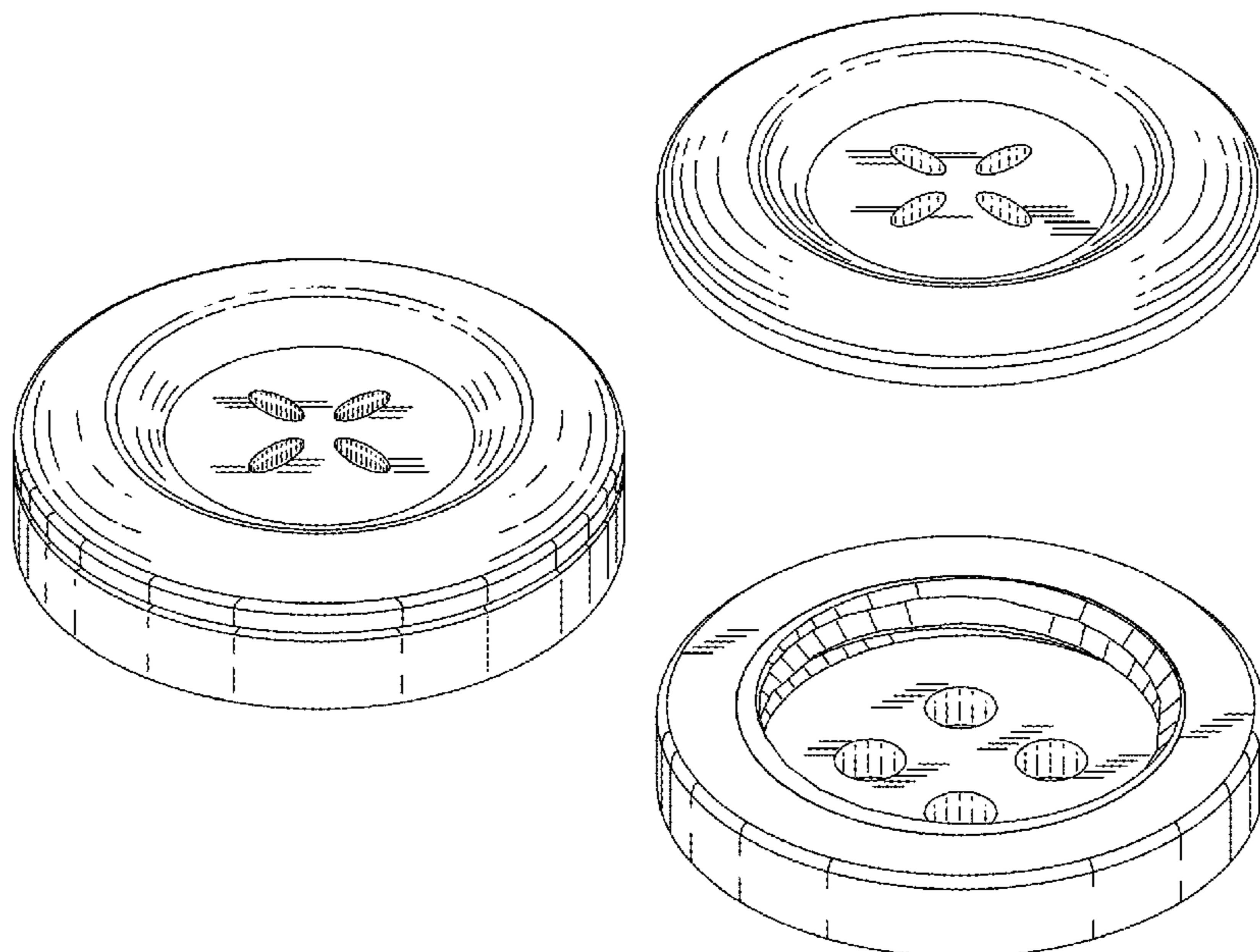
(57) **CLAIM**

The ornamental design for an interchangeable button assembly, as shown and described.

**DESCRIPTION**

FIG. 1 is a perspective view of an assembled interchangeable button assembly showing my new design; FIG. 2 is a front elevational view thereof, the rear side being a mirror image; FIG. 3 is a right side elevational view thereof, the left side being a mirror image; FIG. 4 is a top plan view thereof; FIG. 5 is a bottom plan view thereof; FIG. 6 is a perspective view of the inner bottom surface of the top portion of the interchangeable button assembly, with the bottom portion being omitted for clarity of disclosure; FIG. 7 is an exploded top perspective view of the interchangeable button; FIG. 8 is an exploded front elevational view thereof, the rear side being a mirror image; FIG. 9 is an exploded right side elevational view thereof, the left side being a mirror image; FIG. 10 is a side-by-side top view of the inner top surface of the bottom portion and top surface of the top portion of the interchangeable button assembly; and, FIG. 11 is a side-by-side bottom view of the bottom of the bottom portion and inner bottom surface of the top portion of the interchangeable button assembly.

**1 Claim, 11 Drawing Sheets**



(56)

References Cited

U.S. PATENT DOCUMENTS

2,538,396	A *	1/1951	Sutin .....	A44B 1/34 24/108	4,683,621	A *	8/1987	Watanabe .....	A44B 1/08 24/113 R
2,654,133	A *	10/1953	Van Buren, Jr. ....	A44B 1/28 24/109	4,706,344	A *	11/1987	Tanaka .....	A44B 1/44 24/114.4
3,186,050	A *	6/1965	Moise .....	A44B 1/30 24/105	4,841,604	A *	6/1989	Stevens .....	A44B 1/34 24/108
3,638,285	A *	2/1972	Sanchez Giraldez ...	F16B 12/26 24/108	5,030,051	A *	7/1991	Kaneko .....	F16B 19/1081 411/41
3,725,977	A *	4/1973	Wolfeld .....	A44B 1/24 24/114.8	5,189,762	A *	3/1993	Giancaspro .....	A44B 1/34 24/108
3,787,935	A *	1/1974	Kapitan .....	A44B 1/28 24/114.4	5,337,584	A *	8/1994	Angeli .....	A44B 1/14 24/113 R
4,097,969	A *	7/1978	Nysten .....	A44B 1/44 24/103	D361,740	S *	8/1995	Kidd .....	D11/228
4,471,510	A *	9/1984	DeRosa .....	A44B 1/22 24/114.7	8,522,404	B2 *	9/2013	Matei .....	A44B 1/28 24/104
4,481,696	A *	11/1984	Kanzaka .....	A44B 1/34 24/92	D768,538	S *	10/2016	Chen .....	D11/222
4,541,148	A *	9/1985	Watanabe .....	A44B 1/32 24/102 PL	2006/0156518	A1 *	7/2006	Frank .....	A44B 1/08 24/104
					2014/0101897	A1 *	4/2014	Clark .....	A44B 1/04 24/113 R
					2015/0128383	A1 *	5/2015	Ryan .....	A44B 1/14 24/105

\* cited by examiner

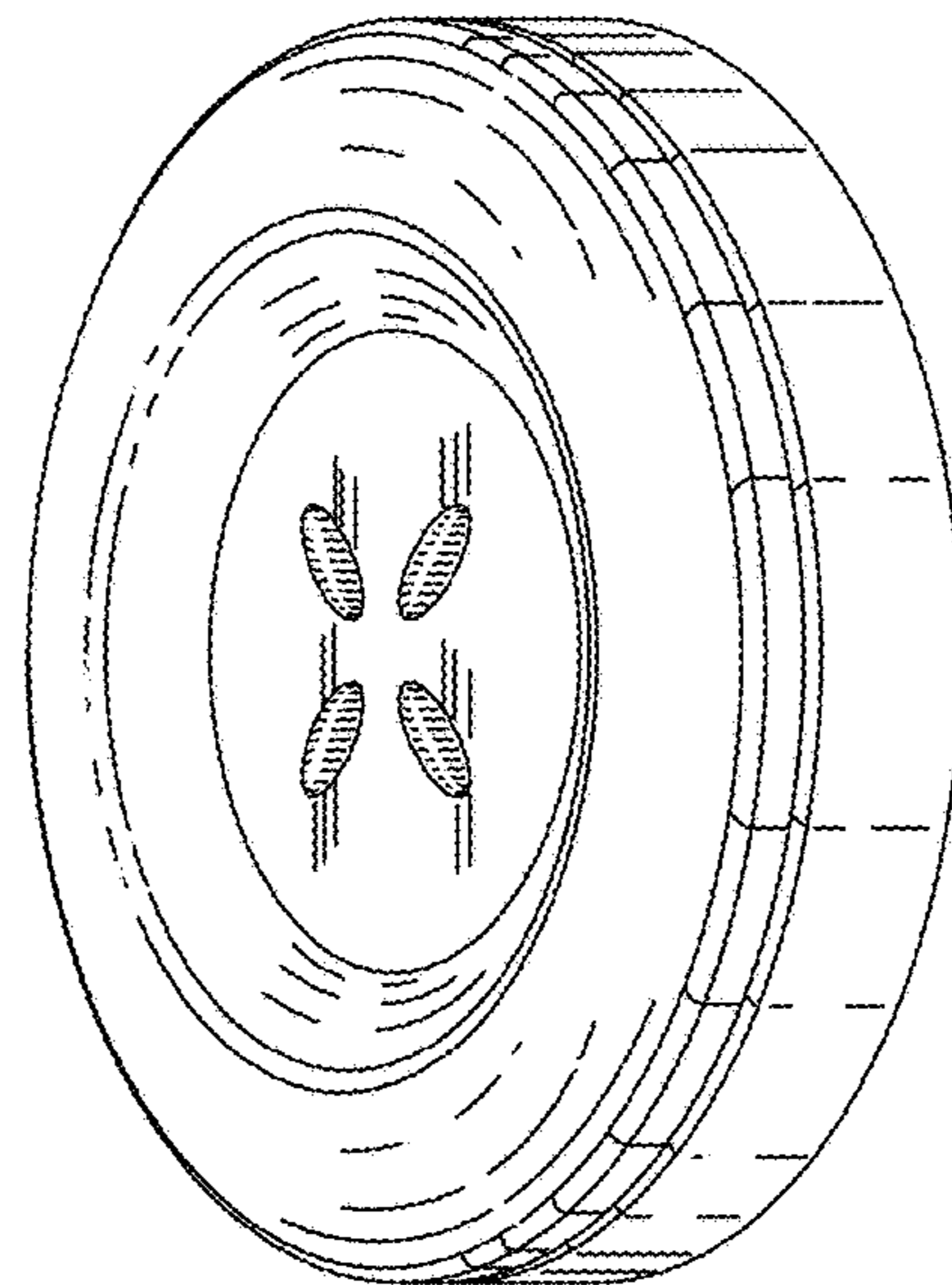


FIG. 1

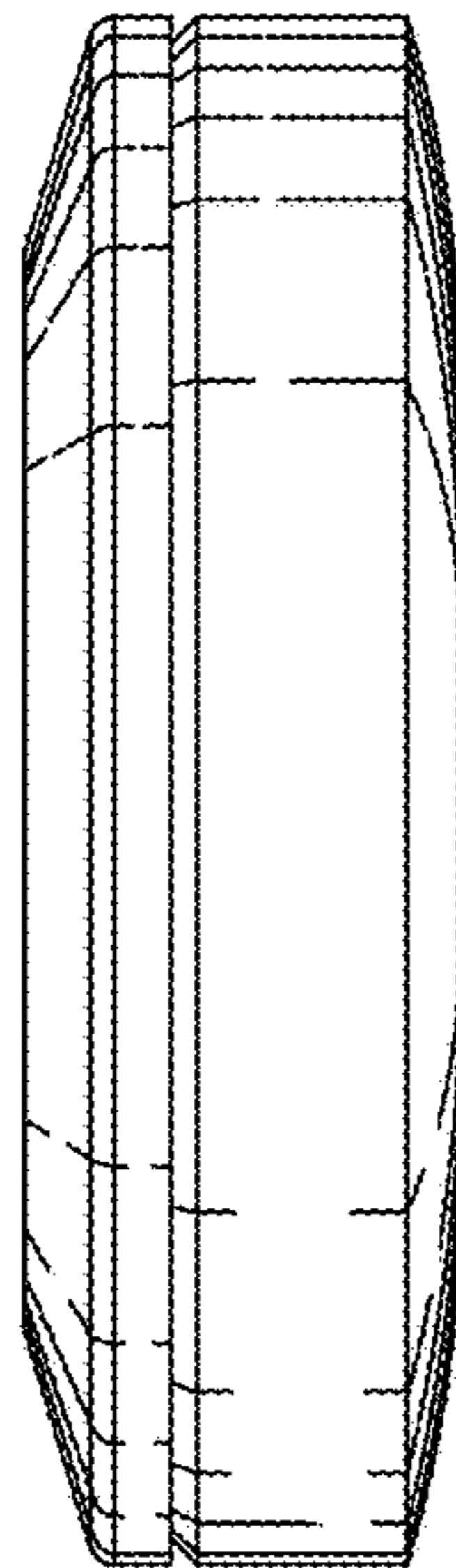


FIG. 2

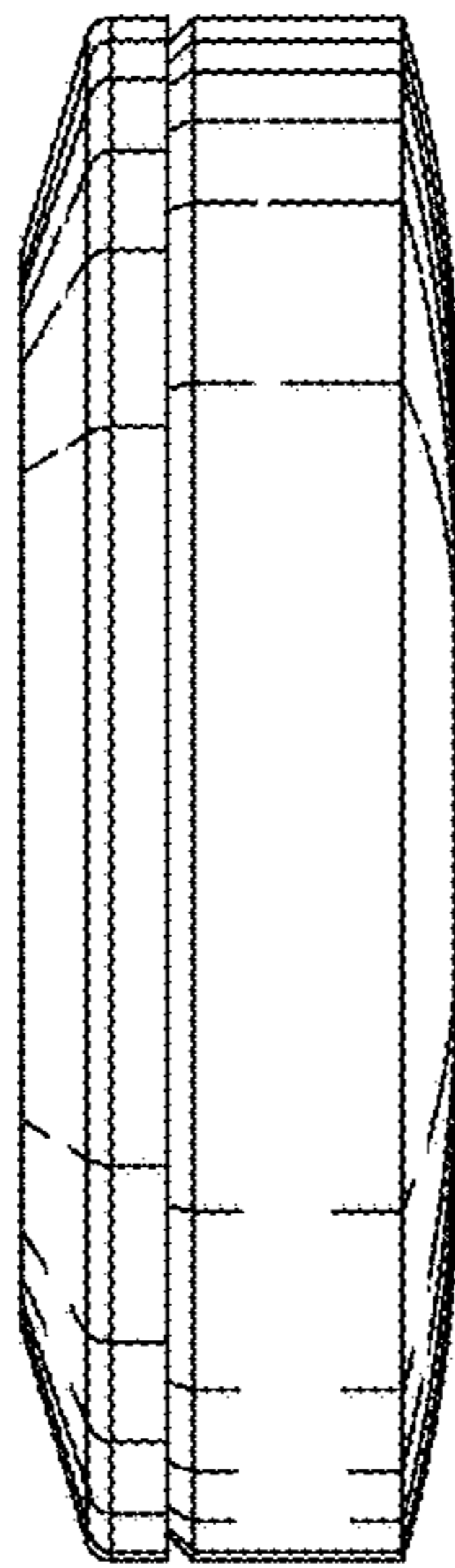


FIG. 3

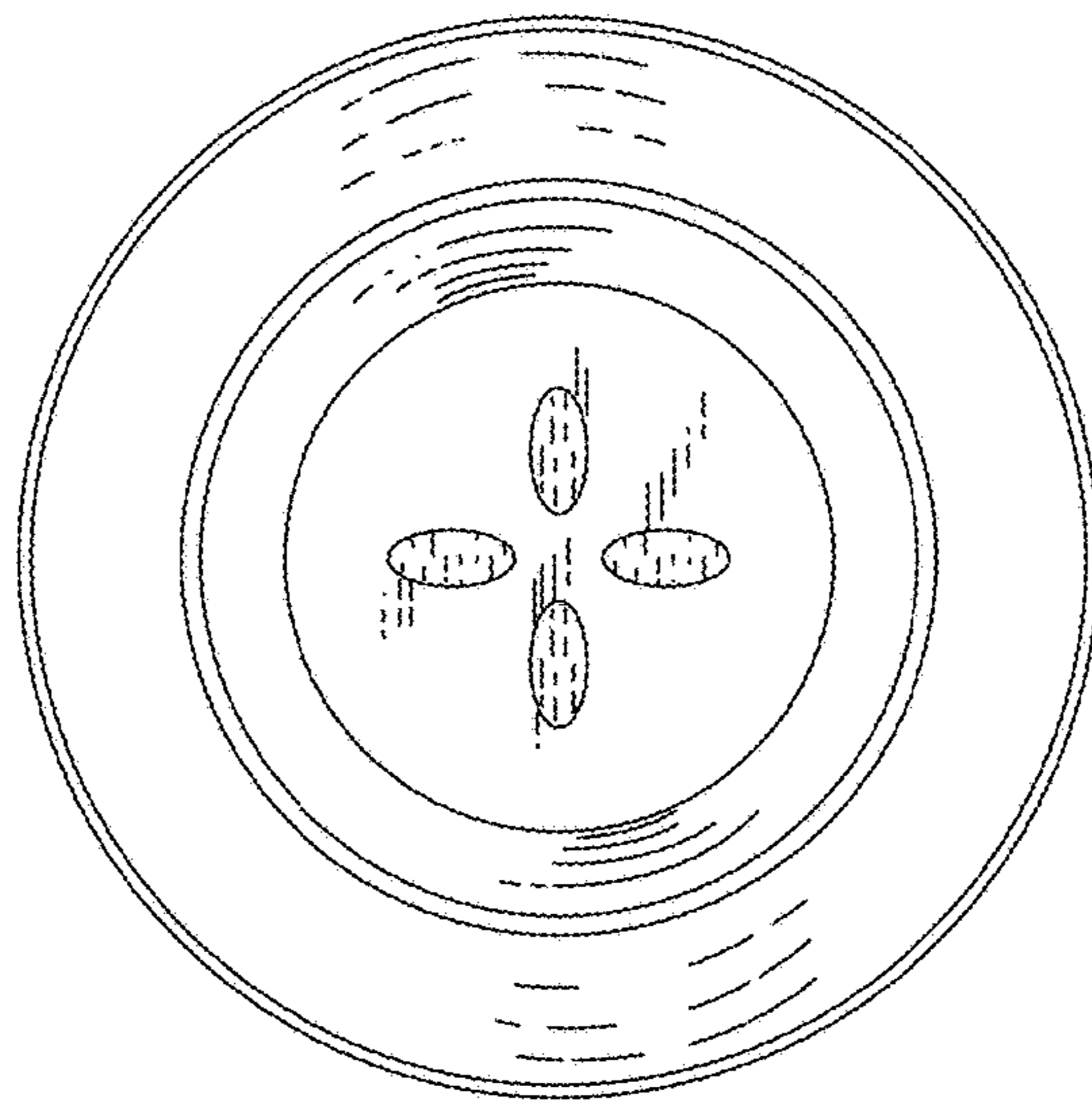


FIG. 4



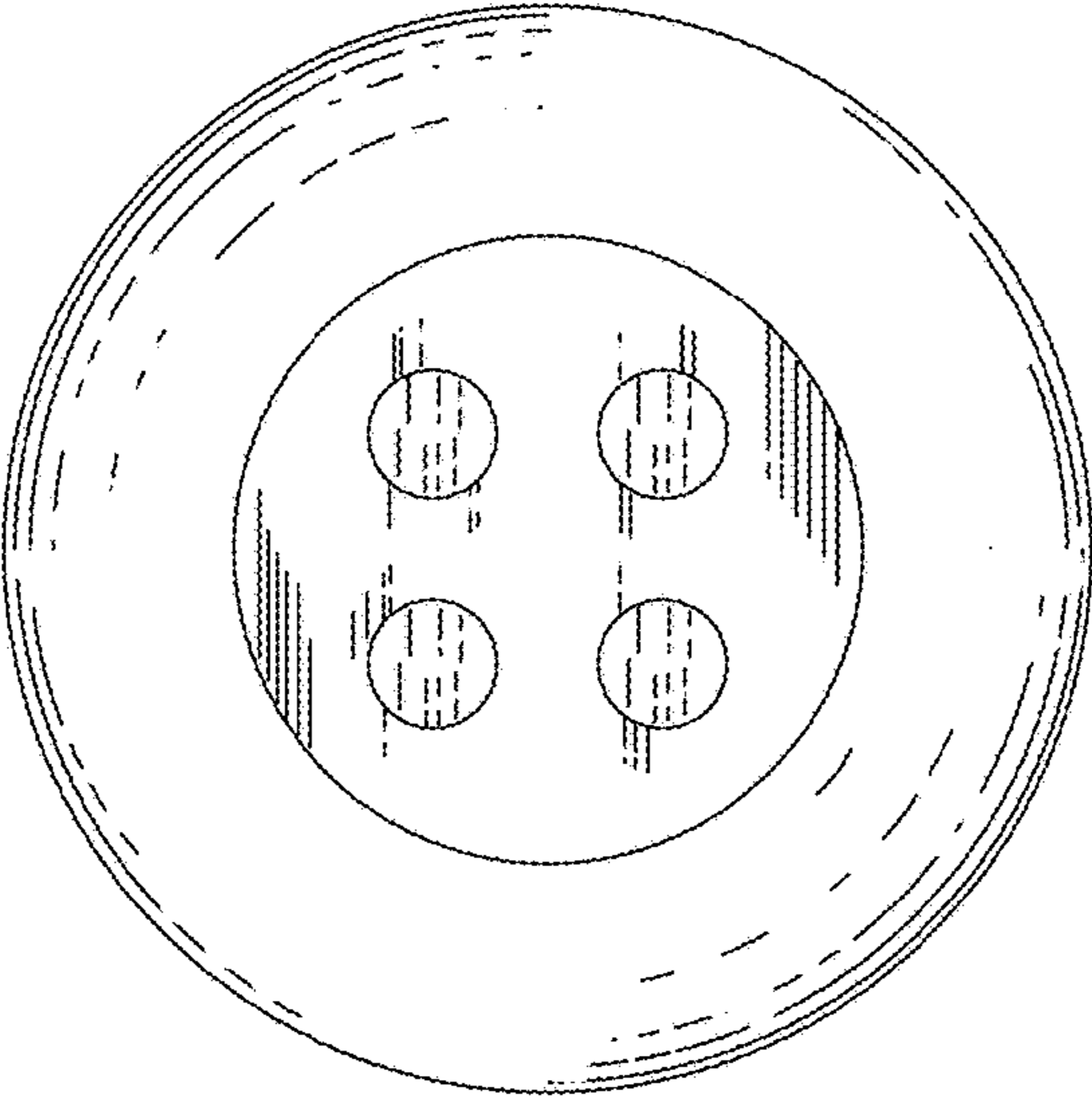


FIG. 5

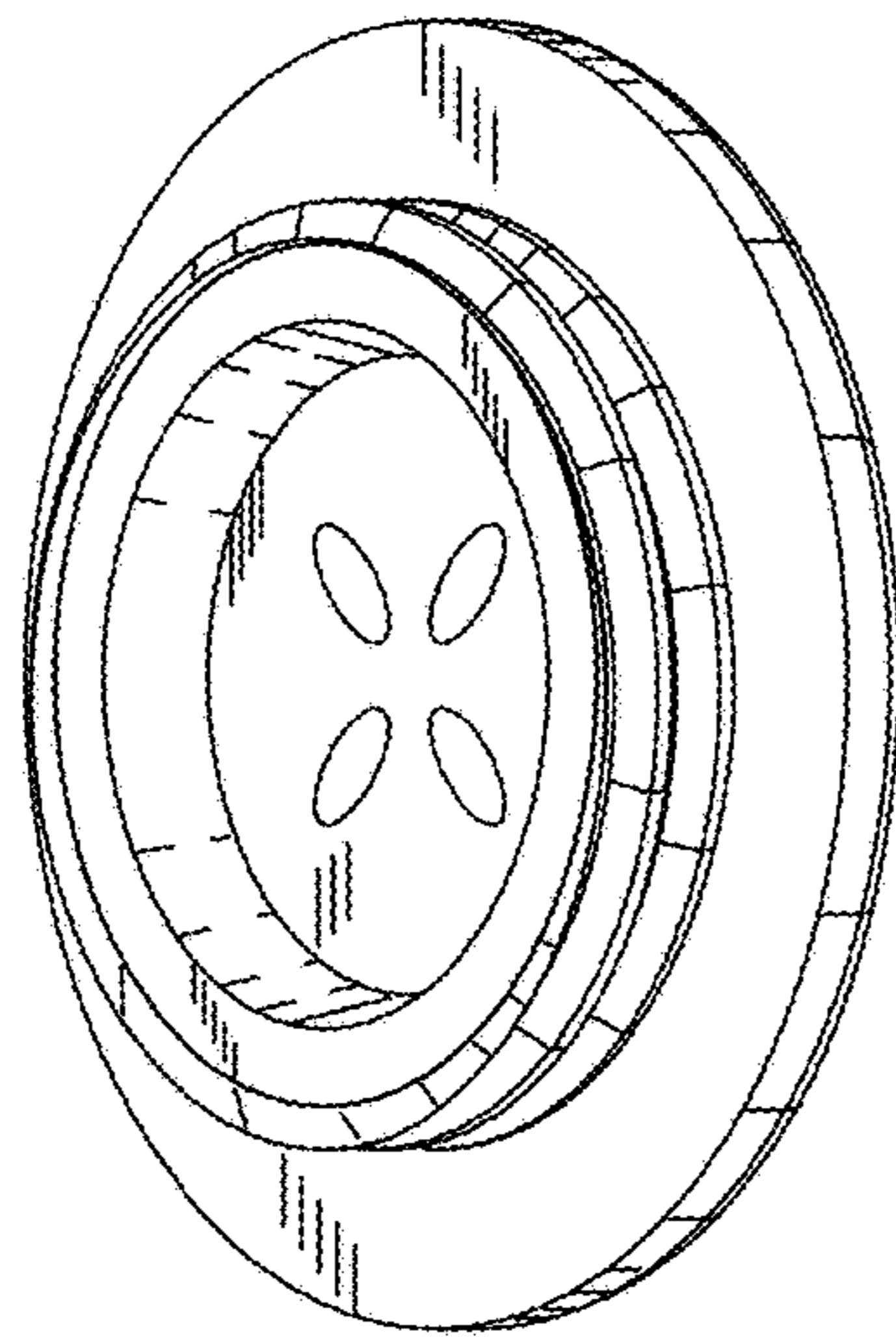


FIG. 6



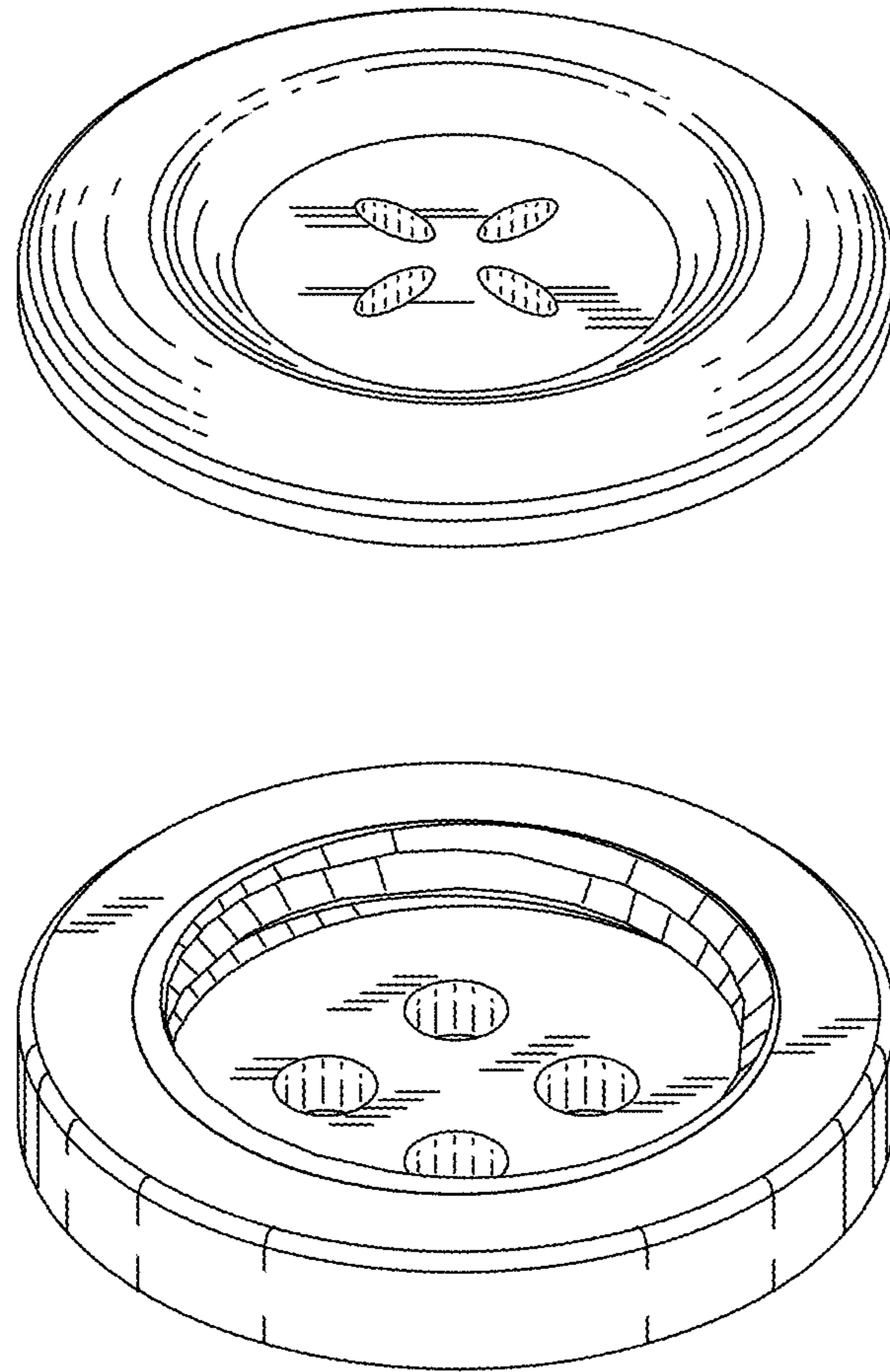


FIG. 7

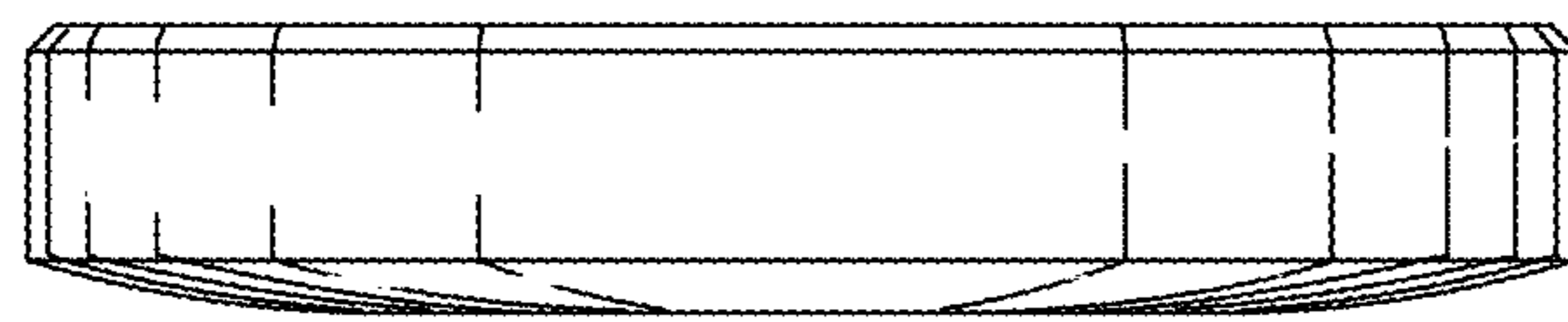
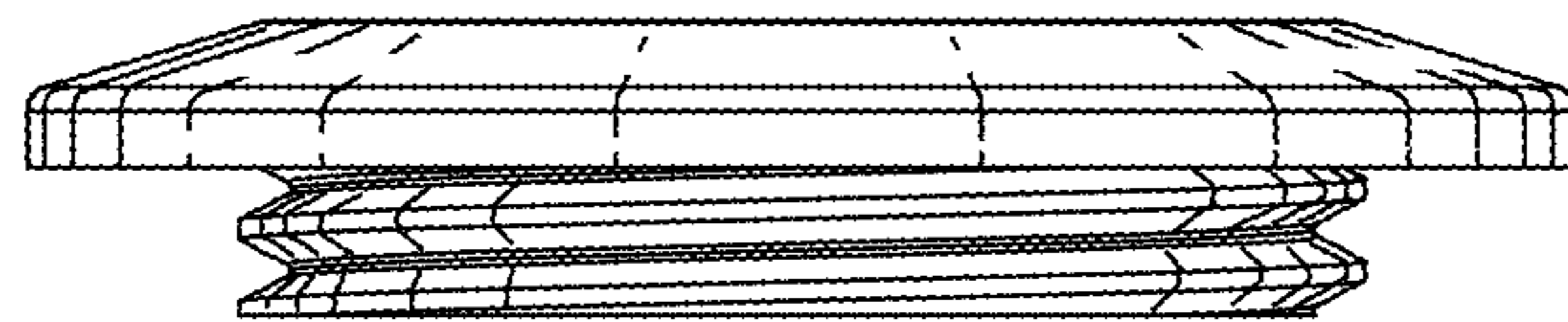


FIG. 8

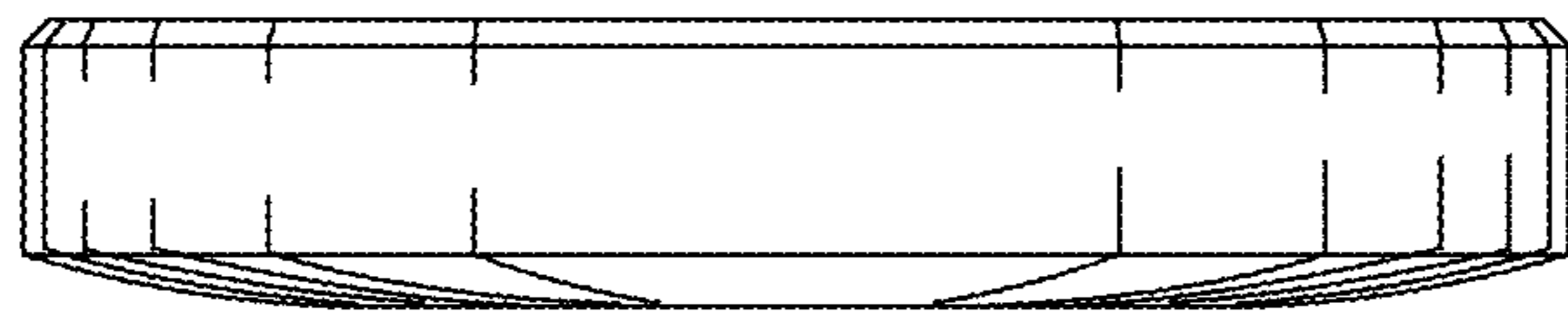
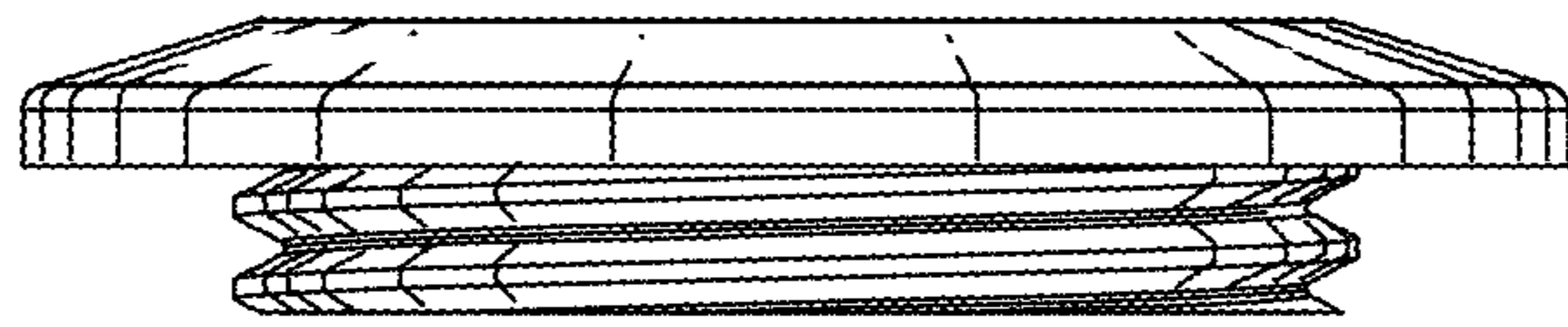


FIG. 9

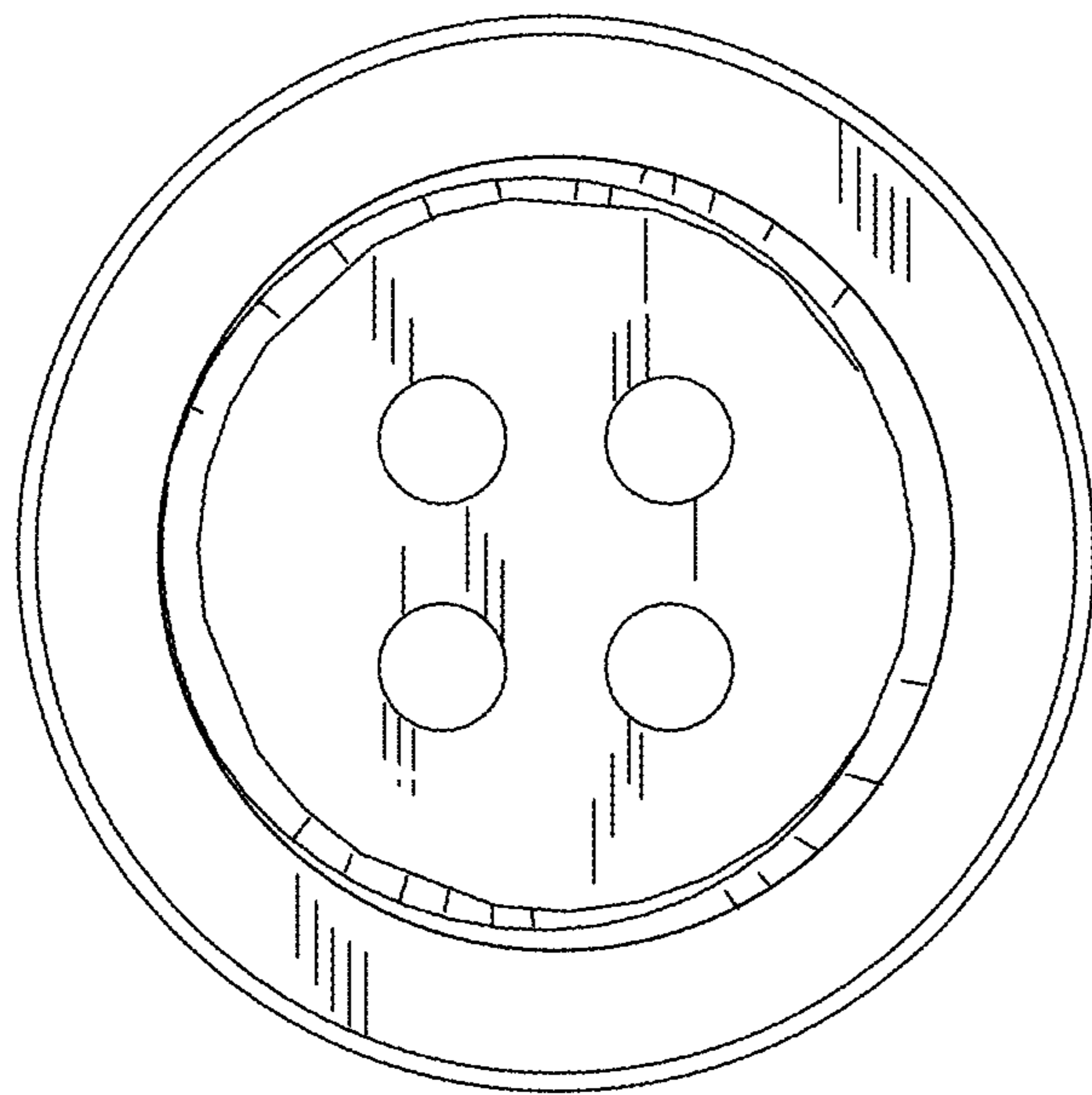
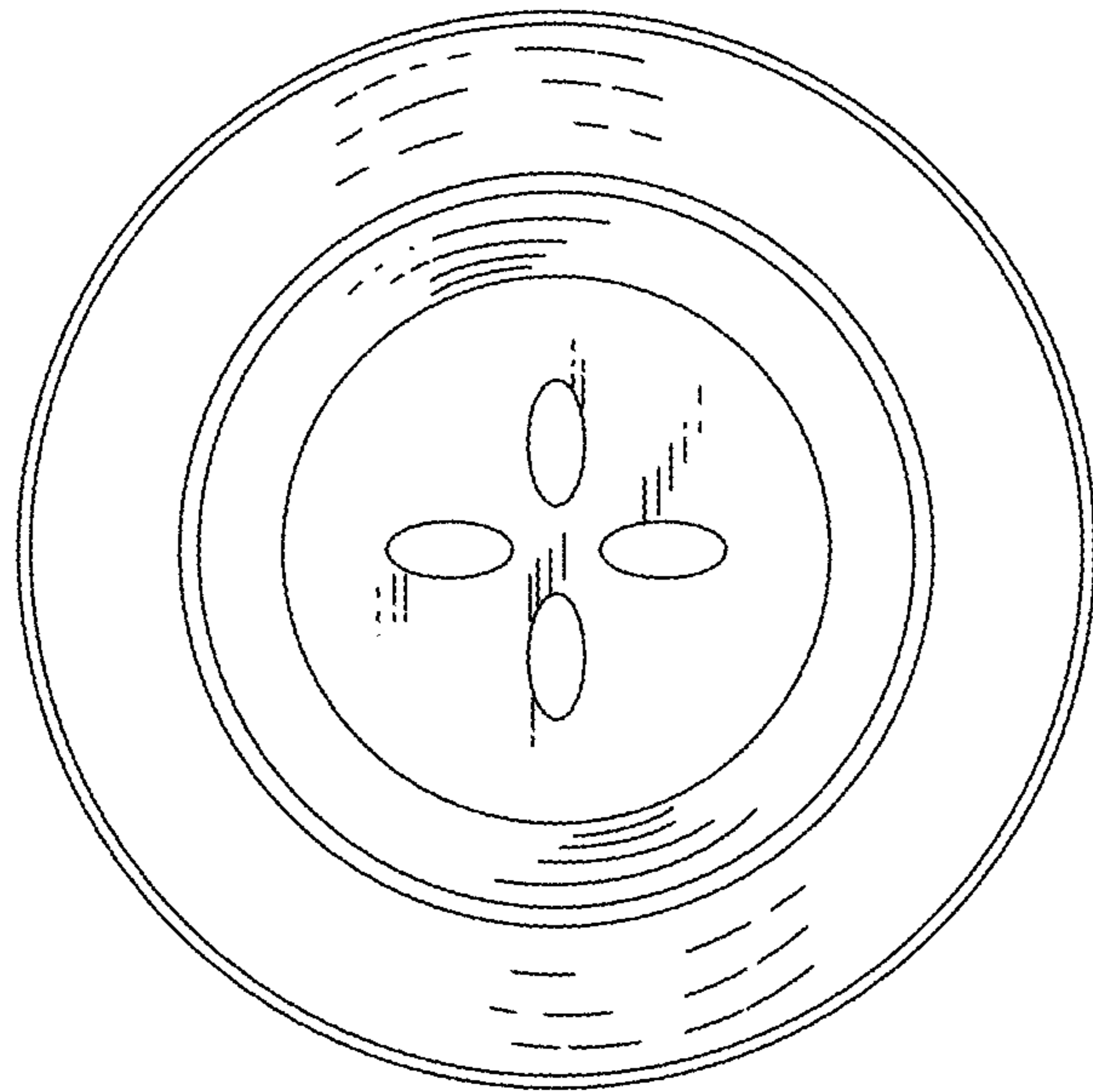


FIG. 10

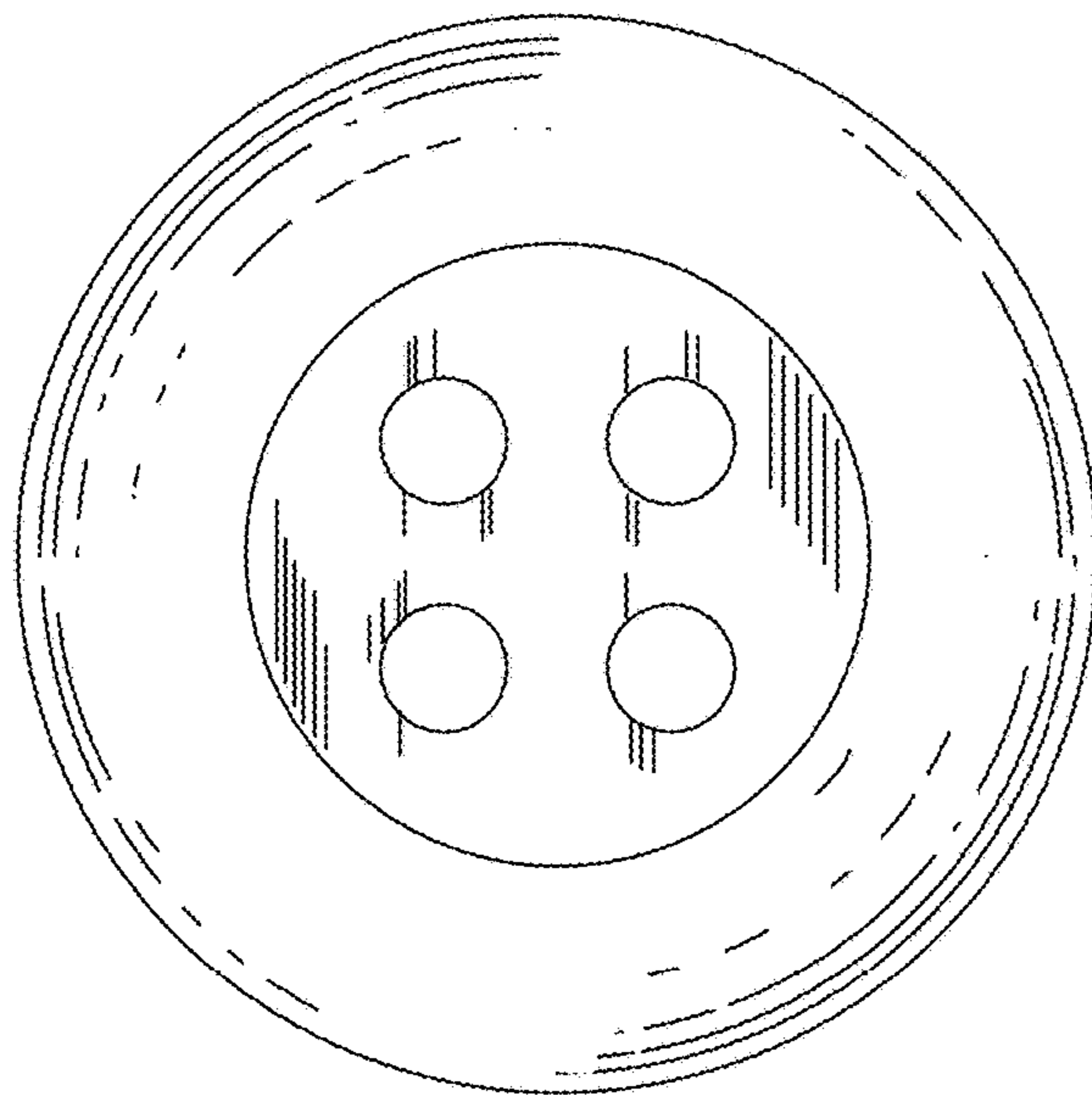
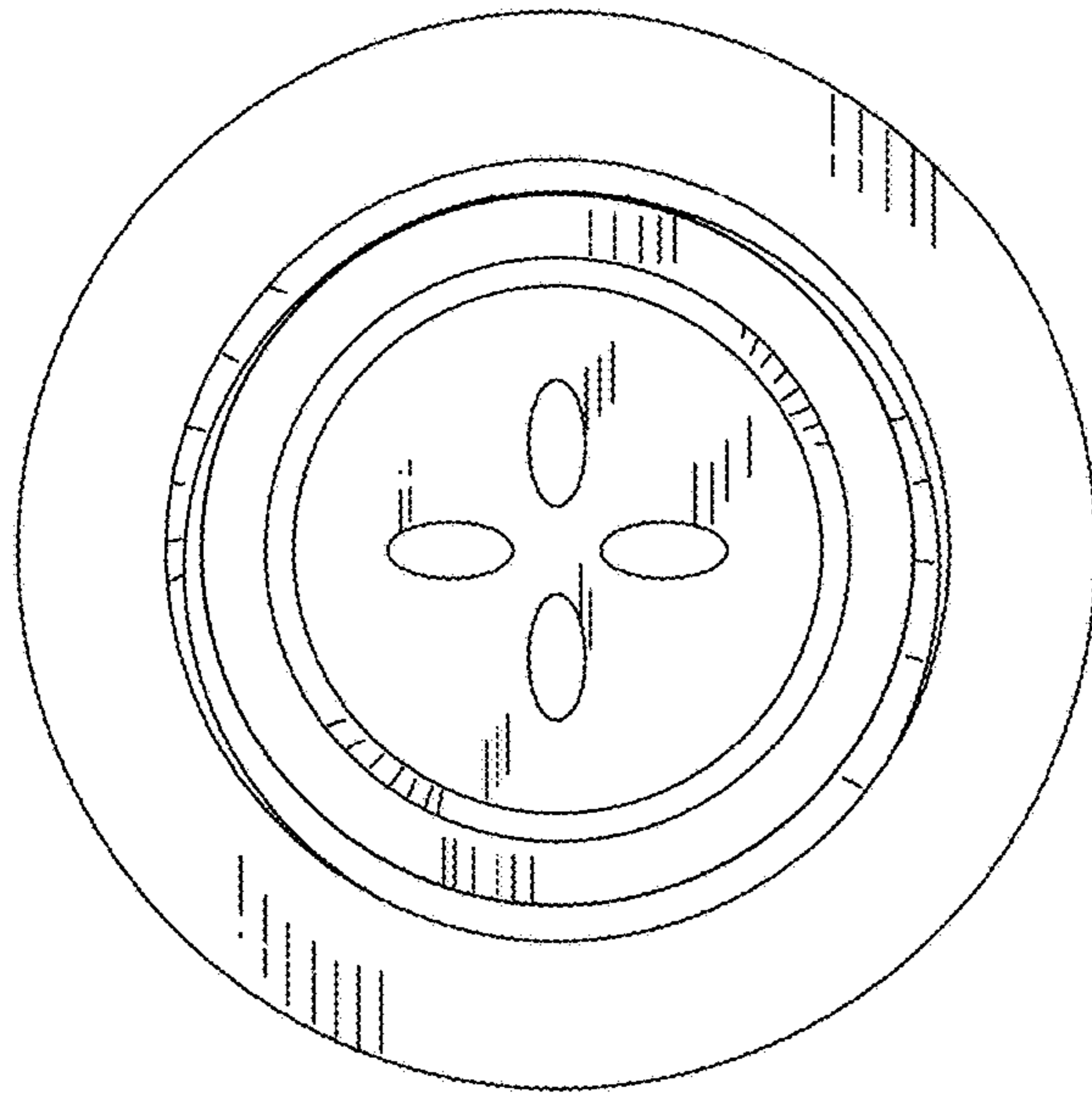


FIG. 11