



US00D781176S

(12) **United States Design Patent** (10) **Patent No.:** **US D781,176 S**
Fildan et al. (45) **Date of Patent:** **** Mar. 14, 2017**

(54) **GARMENT CLOSURE** 4,161,806 A * 7/1979 Hennisse A41F 1/006
24/586.11
(71) Applicants: **Gerhard Fildan**, Vienna (AT); **Karl Wanzenböck**, Teesdorf (AT) D352,678 S * 11/1994 Fildan D11/212
6,292,985 B1 * 9/2001 Grunberger A44B 11/2592
24/303
(72) Inventors: **Gerhard Fildan**, Vienna (AT); **Karl Wanzenböck**, Teesdorf (AT) D475,653 S * 6/2003 Fildan D11/216
D475,946 S * 6/2003 Fildan D11/216
D715,184 S * 10/2014 McElroy D11/200
(73) Assignee: **Dubrosky & Tracy Patent Service Corp.**, Central (HK) D732,423 S * 6/2015 Fildan D11/218
D740,168 S * 10/2015 Fildan D11/218

(**) Term: **15 Years**

(21) Appl. No.: **29/567,572**

(22) Filed: **Jun. 10, 2016**

(51) **LOC (10) Cl.** **02-07**

(52) **U.S. Cl.**
USPC **D11/216**

(58) **Field of Classification Search**
USPC D11/200–219; 24/163 R, 169–171, 173,
24/177–179, 191, 194–195, 197, 200,
24/614–616, 625, 198, 578.11, 578.1,
24/163 K, 114, 303, 662, 664, 652
CPC A44B 11/26; A44B 11/25; A44B 11/06;
A44B 11/266; A44C 5/00
See application file for complete search history.

(56) **References Cited**

U.S. PATENT DOCUMENTS

D100,466 S * 7/1936 Dulany D11/201
4,000,544 A * 1/1977 Fildan A41C 3/02
24/312

* cited by examiner

Primary Examiner — Ralf Seifert

(74) *Attorney, Agent, or Firm* — Kintner IP, LLC; Mary Frances Ludwig

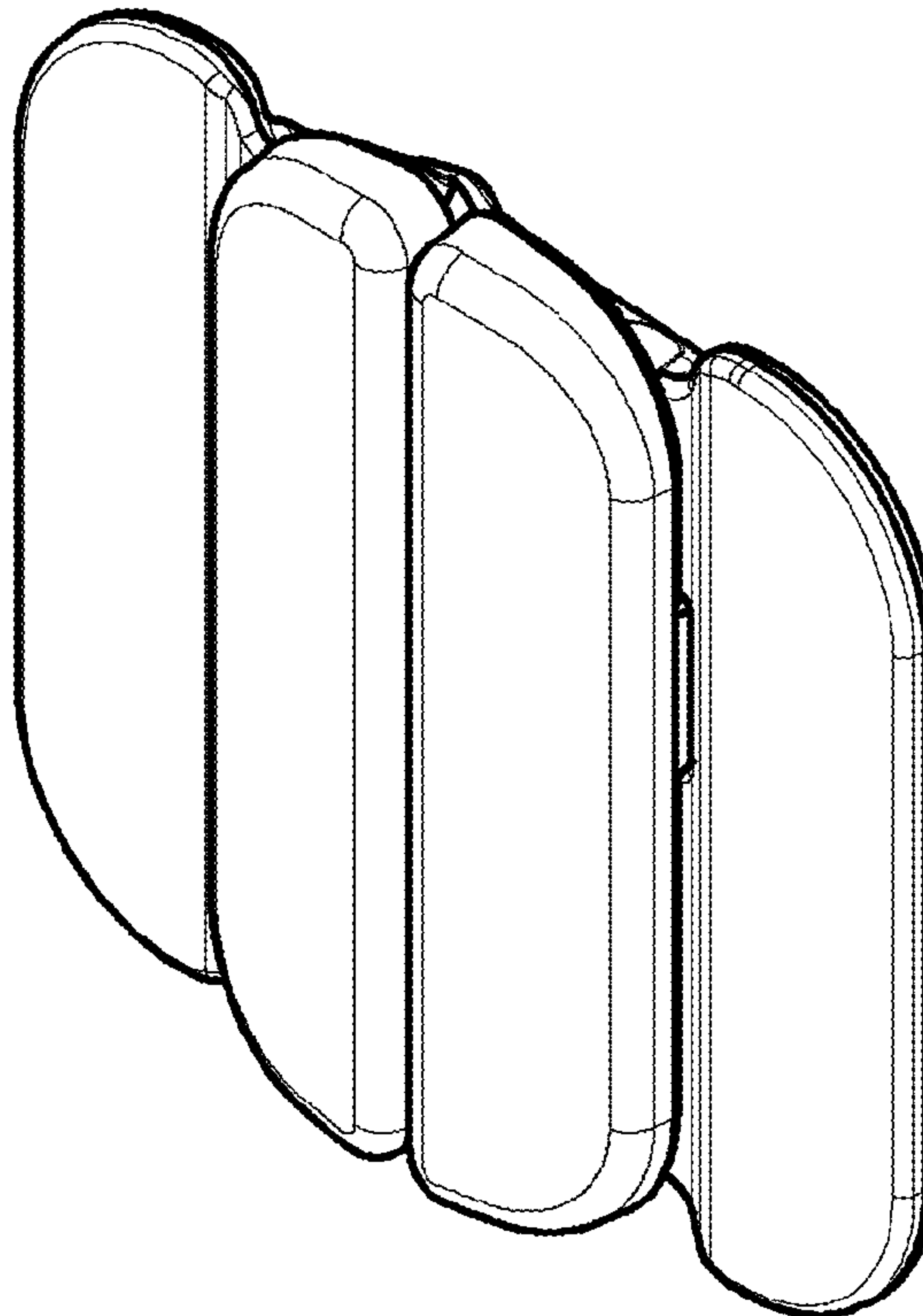
(57) **CLAIM**

The ornamental design for a garment closure, as shown and described.

DESCRIPTION

FIG. 1 is a front perspective view of a garment closure showing our new design;
FIG. 2 is a front elevation view thereof;
FIG. 3 is a rear elevation view thereof;
FIG. 4 is a top plan view thereof;
FIG. 5 is a bottom plan view thereof; and,
FIG. 6 is a rear perspective view thereof.
Our garment closure is intended for use with lingerie, brassieres, and the like.

1 Claim, 3 Drawing Sheets



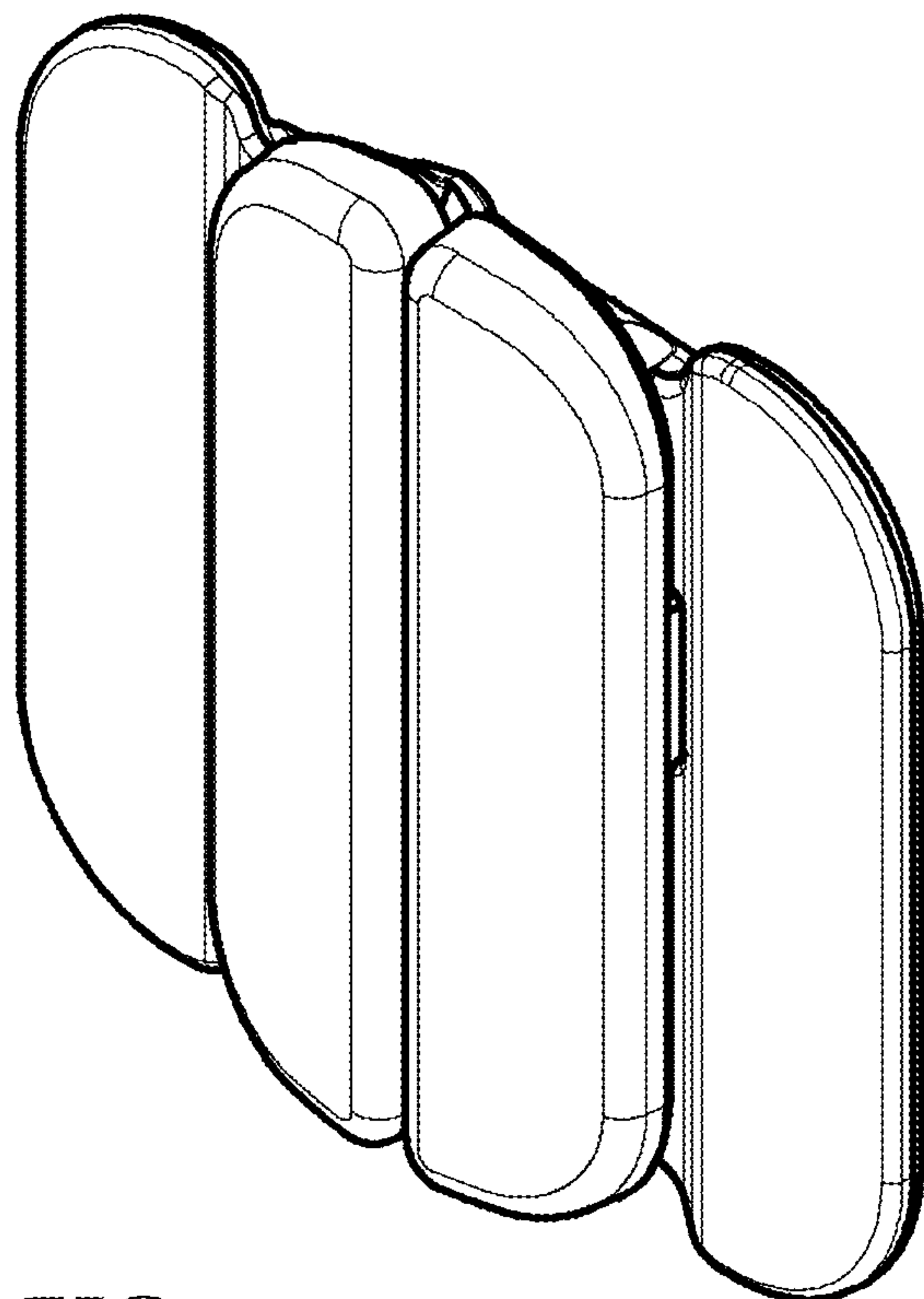


FIG. 1

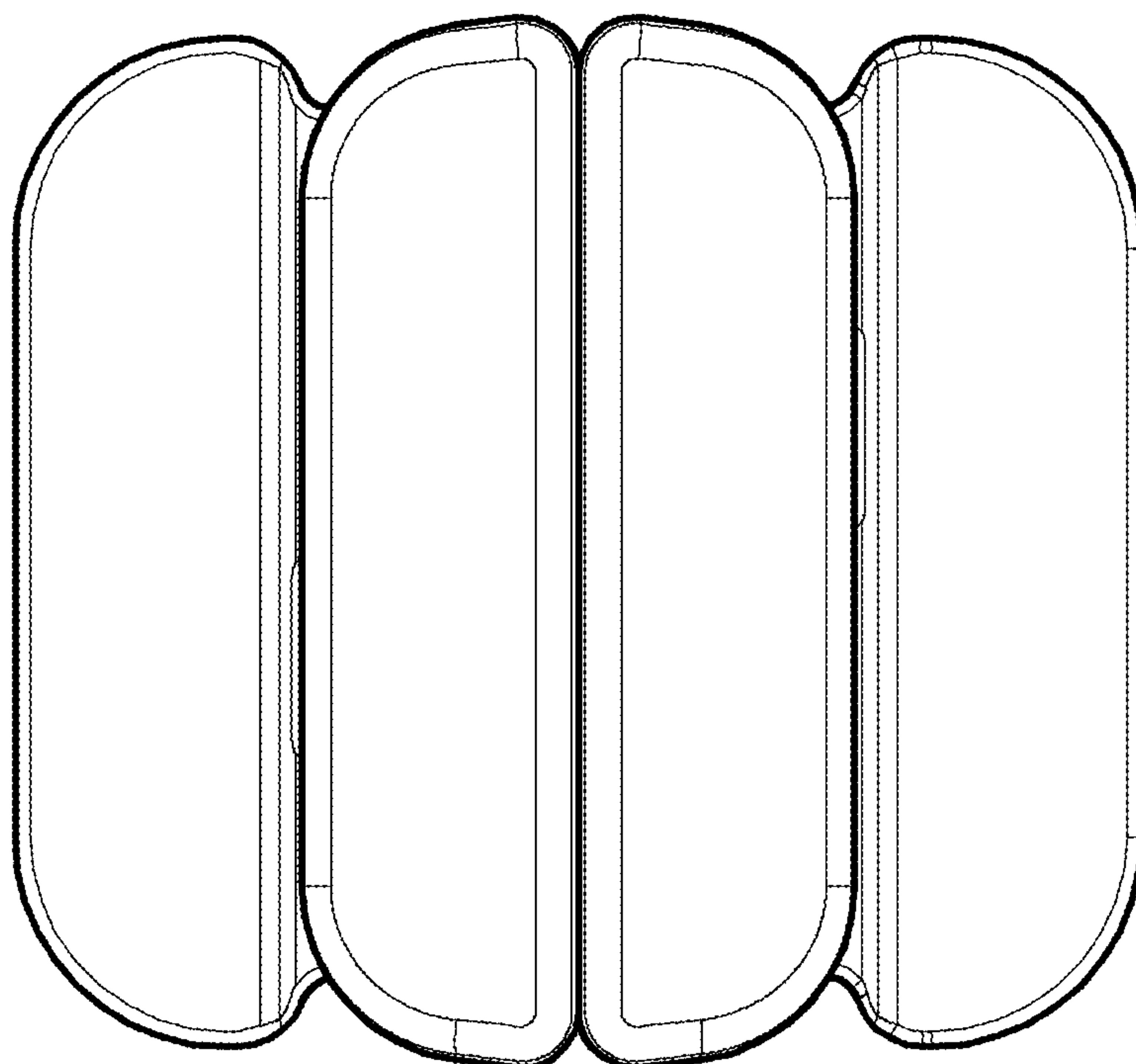


FIG. 2

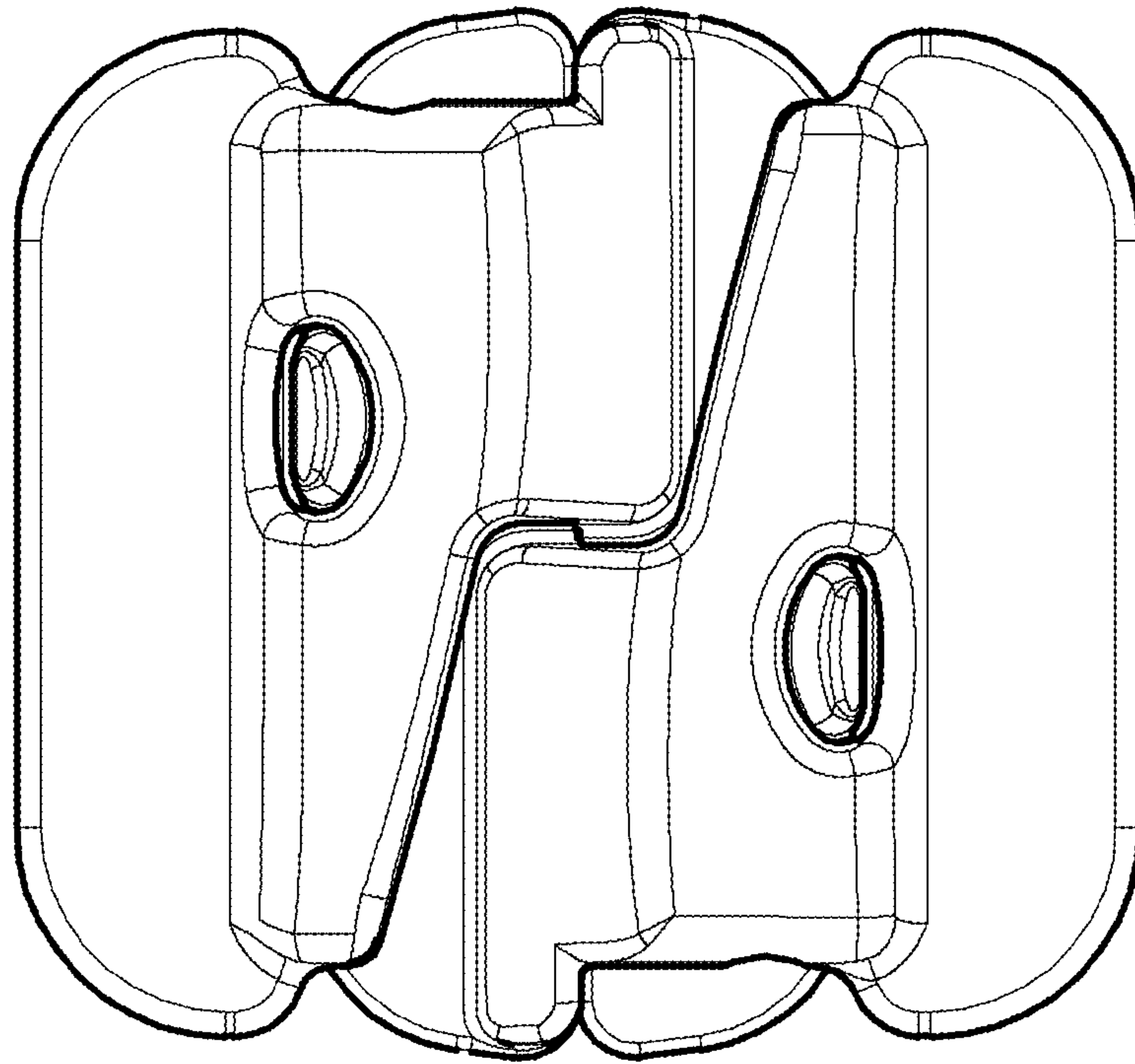


FIG. 3

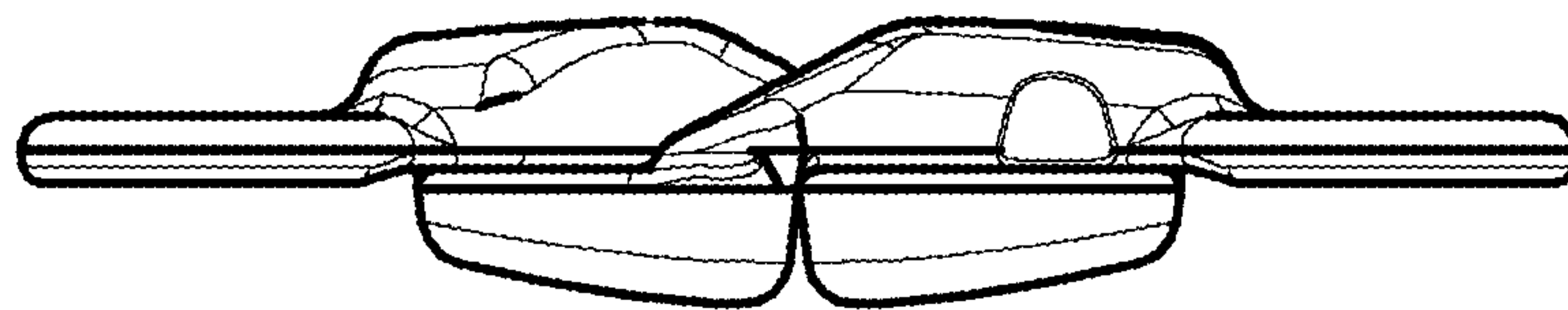


FIG. 4

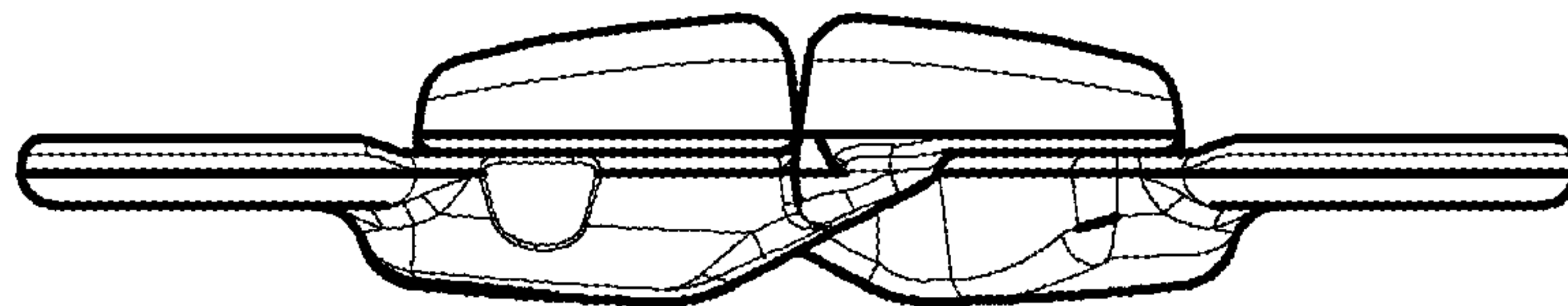


FIG. 5

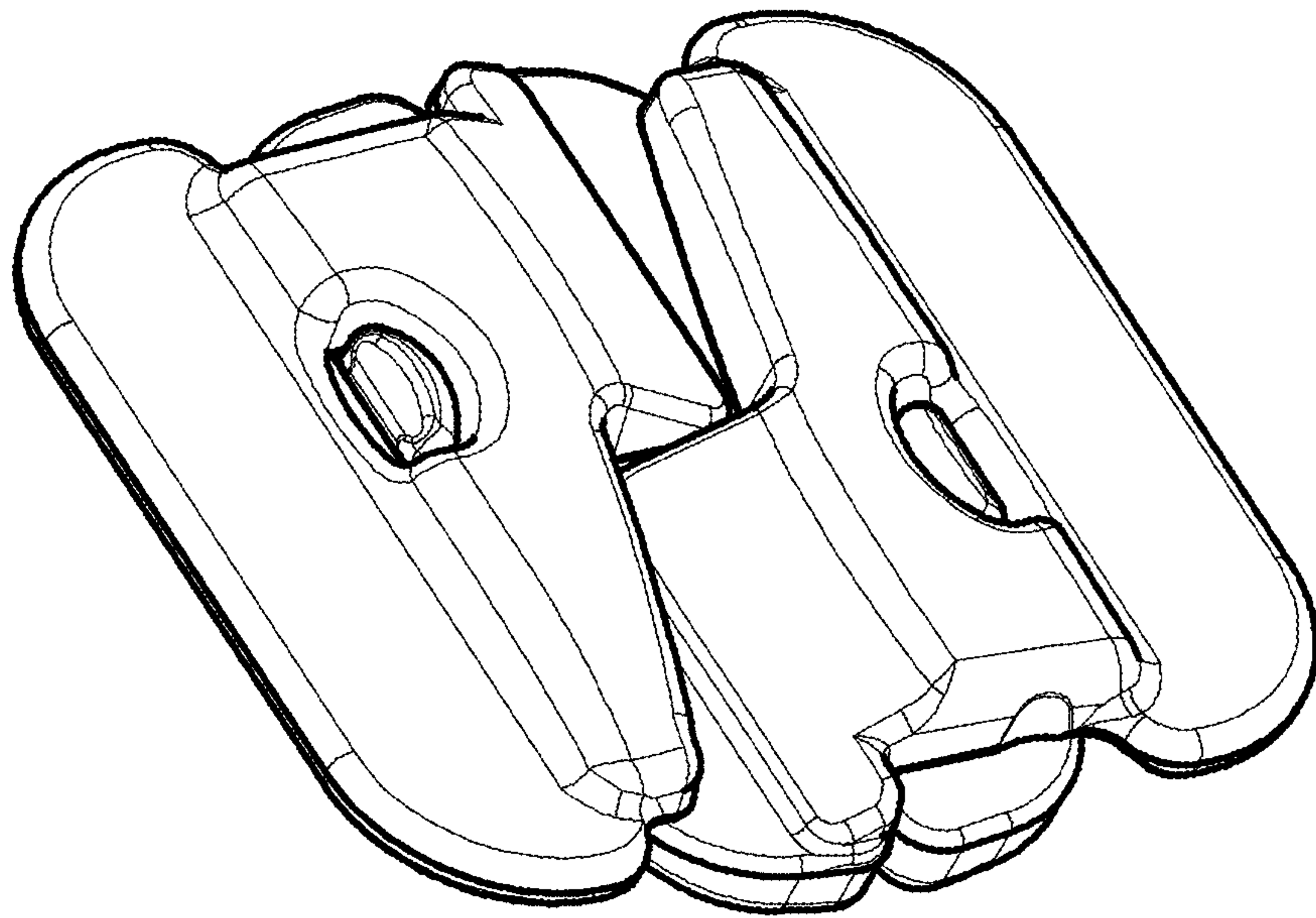


FIG. 6