



US00D781175S

(12) **United States Design Patent**
Jankowski

(10) **Patent No.:** **US D781,175 S**
(45) **Date of Patent:** **** Mar. 14, 2017**

(54) **FASTENER**
(71) Applicant: **DIAMOND DUST DESIGN LLC**,
Lannon, WI (US)
(72) Inventor: **Tamara L Jankowski**, Lannon, WI
(US)
(73) Assignee: **DIAMOND DUST DESIGN LLC**,
Lannon, WI (US)
(**) Term: **15 Years**

4,202,243 A 5/1980 Leonhardt
D354,924 S * 1/1995 Garner D10/106.91
6,244,073 B1 6/2001 Kaping, Jr.
D492,619 S 7/2004 Uldolph
7,189,024 B2 3/2007 Cameron
7,698,836 B2 4/2010 Schmelzer
D616,744 S * 6/2010 Cresswell D9/443
7,735,235 B2 * 6/2010 Waddell B63B 17/02
114/361
D638,695 S * 5/2011 Woodrow D8/382
D642,896 S 8/2011 Buras
8,096,023 B2 1/2012 Orza
D657,196 S * 4/2012 Beyers, III D7/513
D662,807 S * 7/2012 Waddell D8/382
D686,943 S 7/2013 Watcon

(21) Appl. No.: **29/556,217**

(22) Filed: **Feb. 29, 2016**

Related U.S. Application Data

(62) Division of application No. 29/500,655, filed on Aug.
27, 2014, now Pat. No. Des. 751,460.

(51) **LOC (10) Cl.** **02-07**

(52) **U.S. Cl.**
USPC **D11/200; D8/382; D8/387**

(58) **Field of Classification Search**
USPC D11/208, 209, 78.1, 222, 213, 226, 216,
D11/218, 200, 201, 206, 207; 450/1, 58;
24/591.1, 592.1, 592.11; 112/407; 2/265;
D2/707, 705, 639; D3/207; D8/382, 387,
D8/391
CPC A44C 3/00; A44B 13/00; A44B 13/0011;
A41C 3/12; A41C 1/14
See application file for complete search history.

(56) **References Cited**

U.S. PATENT DOCUMENTS

D53,376 S * 5/1919 Rauch 24/114.11
1,974,160 A 9/1934 Peirson

Primary Examiner — Ralf Seifert
(74) *Attorney, Agent, or Firm* — Ryan Kromholz &
Manion, S.C.

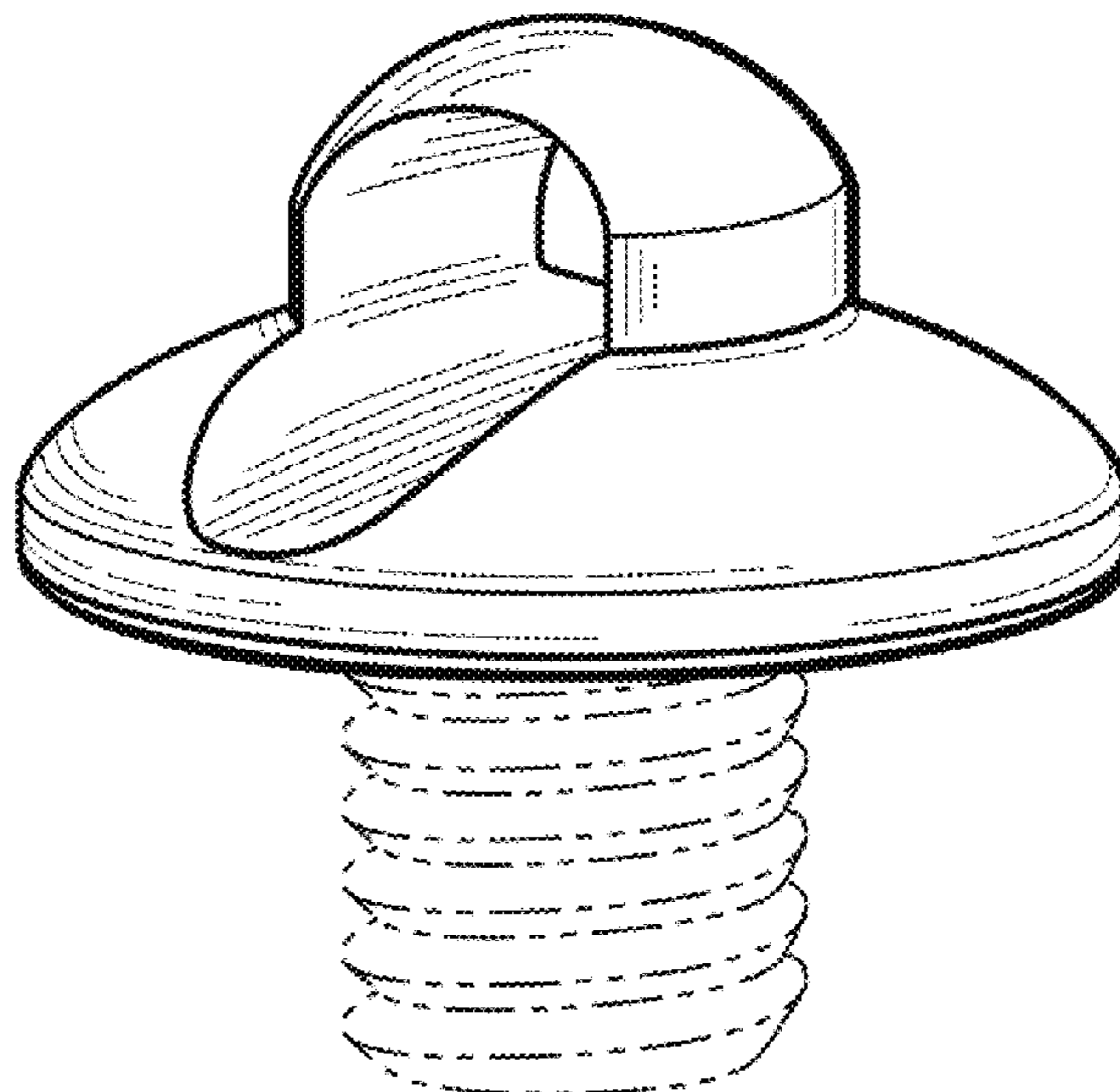
(57) **CLAIM**

The ornamental design for a fastener, as shown and
described.

DESCRIPTION

FIG. 1 is a perspective view of a fastener according to the
present invention.
FIG. 2 is a left side elevation view of the fastener of FIG. 1,
to which a right side elevation view is identical.
FIG. 3 is a front side elevation view of the fastener of FIG.
1, to which a rear side elevation view is identical.
FIG. 4 is a bottom plan view of the fastener of FIG. 1; and,
FIG. 5 is a top plan view of the fastener of FIG. 1.
The broken line showing of external screw threads is
included for the purpose of illustrating environmental matter
and forms no part of the claimed design.

1 Claim, 1 Drawing Sheet



(56)

References Cited

U.S. PATENT DOCUMENTS

D751,460 S * 3/2016 Jankowski D11/200
D760,586 S * 7/2016 Seiders D7/392.1
D769,705 S * 10/2016 Moreau D11/201
2012/0096683 A1 4/2012 Suriano

* cited by examiner

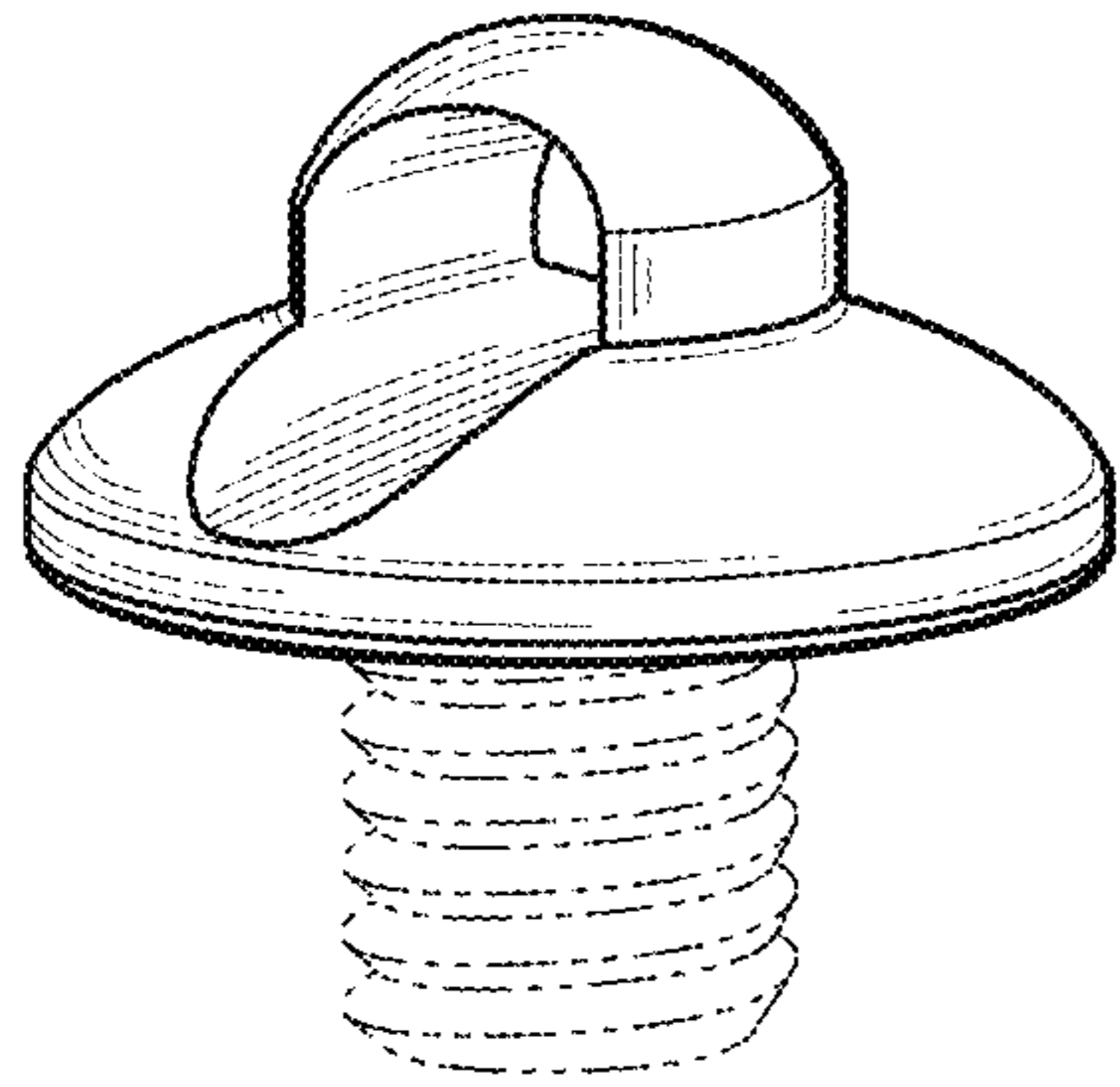


Fig. 1

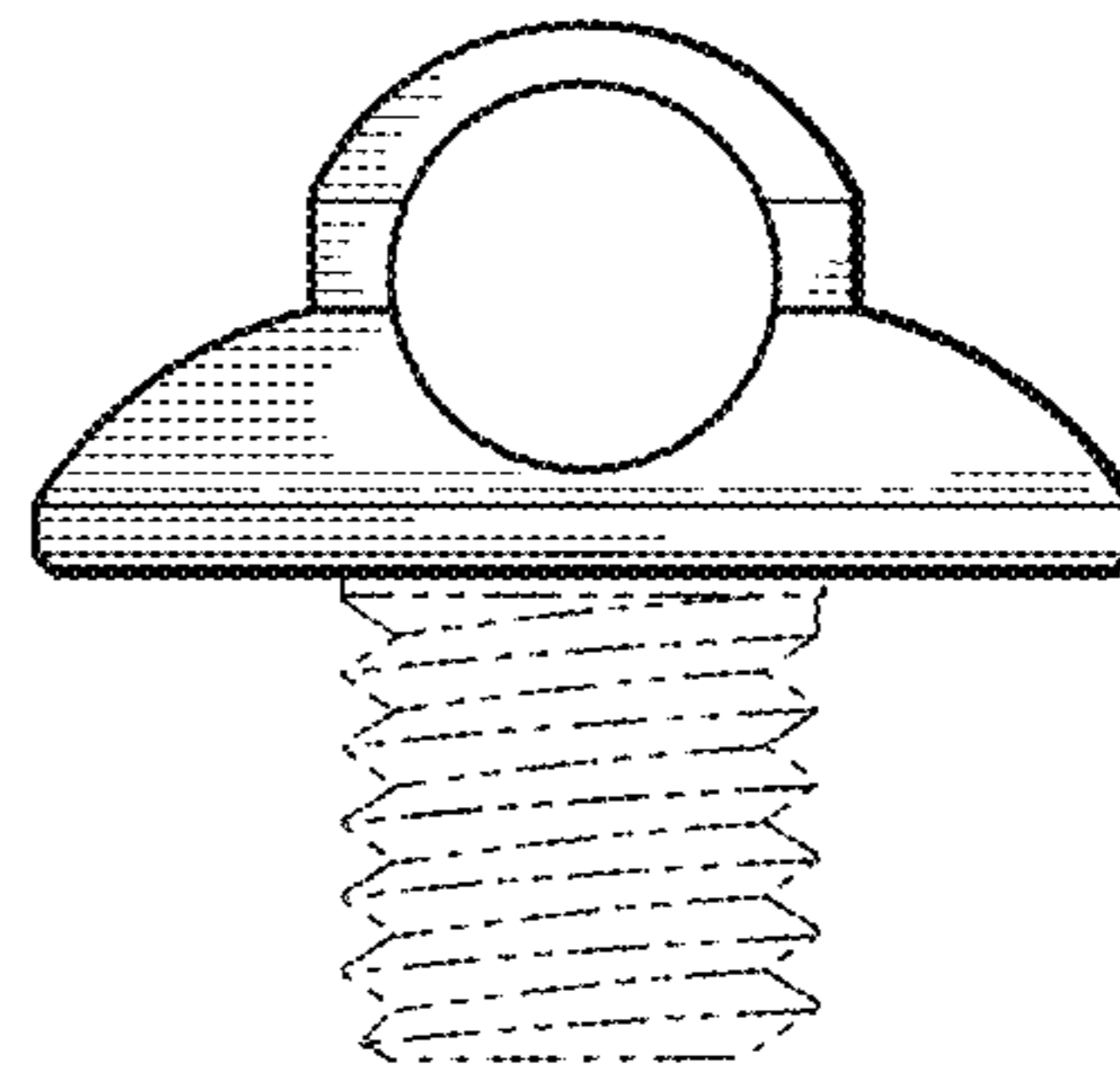


Fig. 2

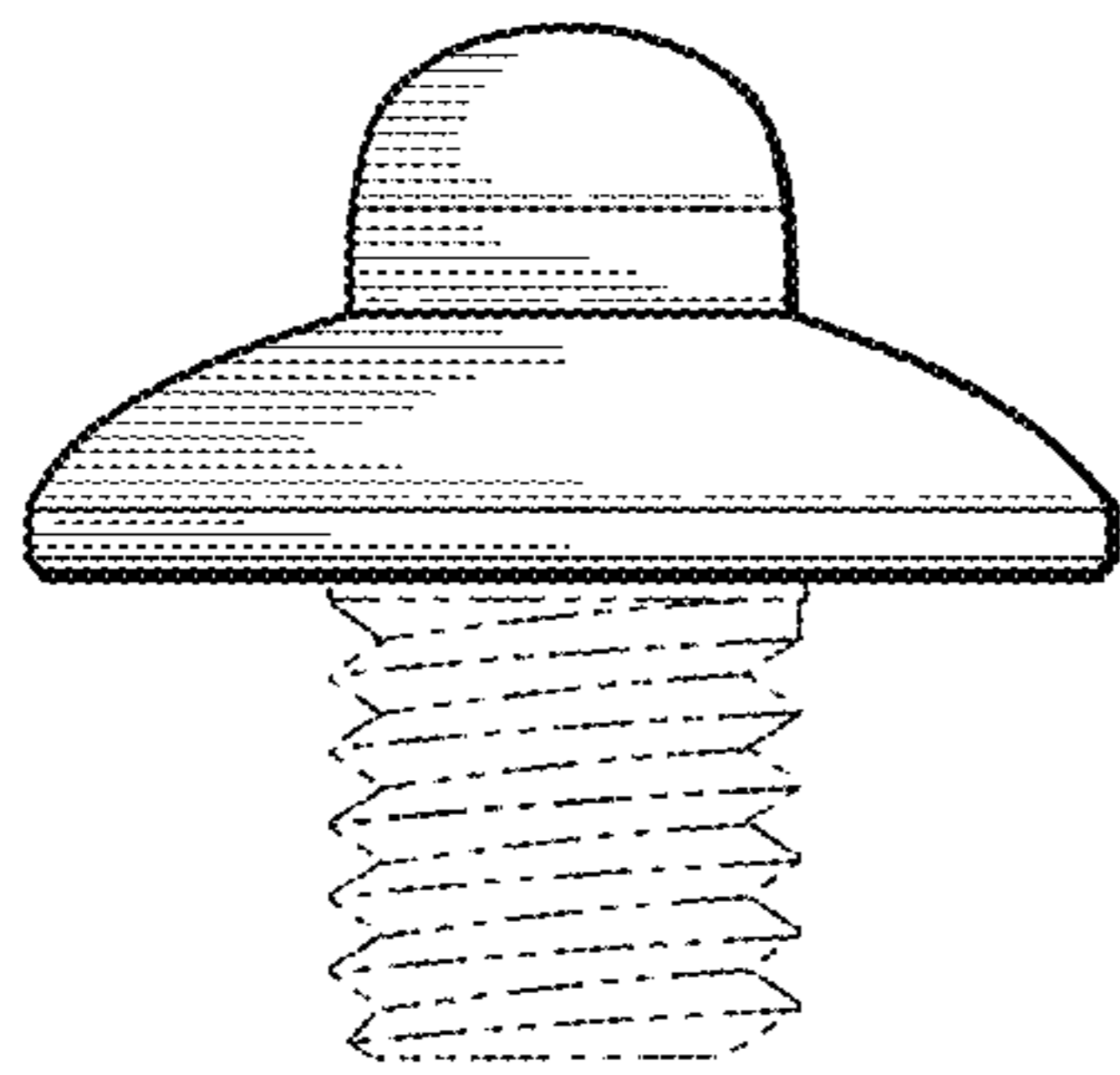


Fig. 3

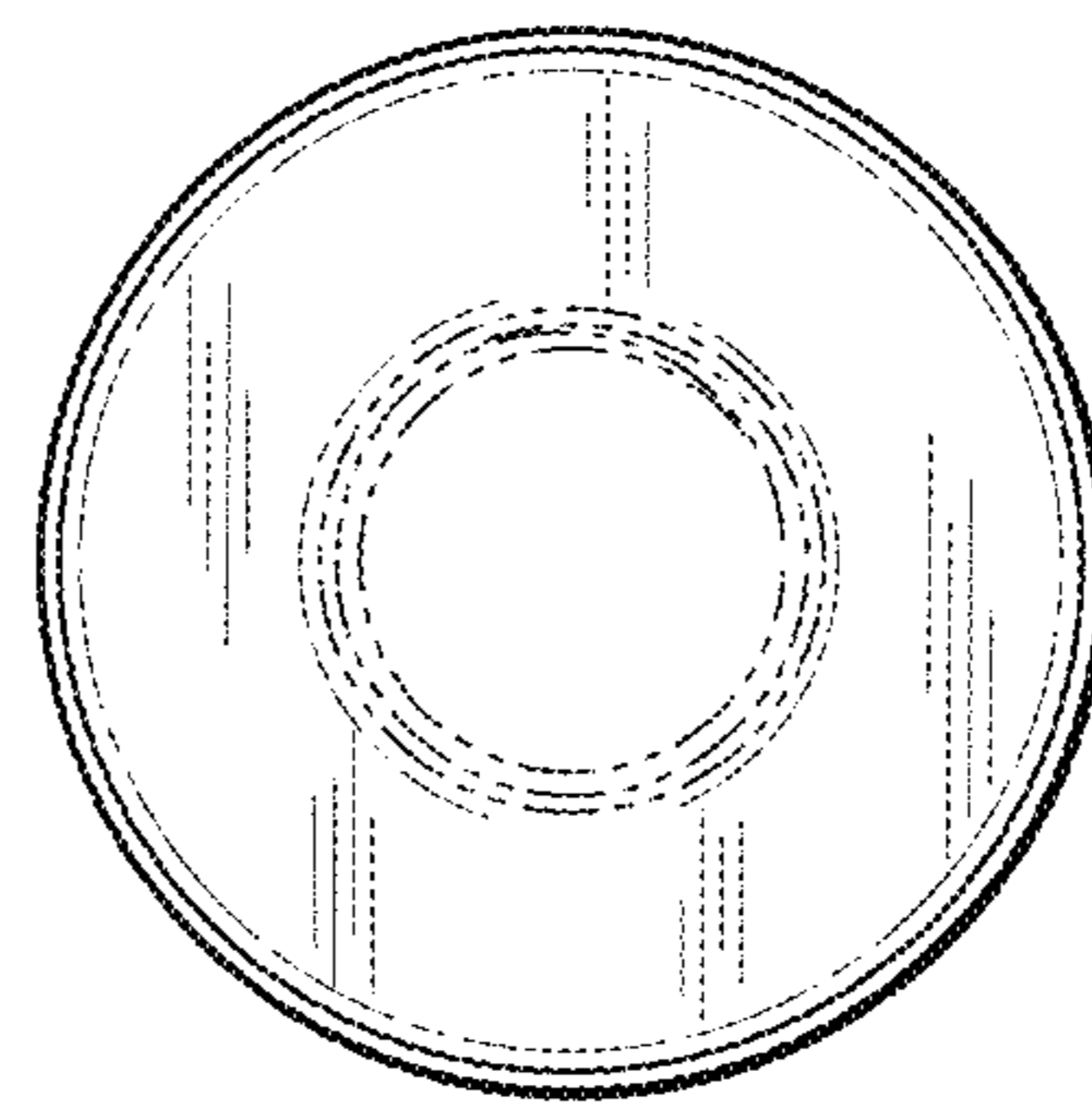


Fig. 4

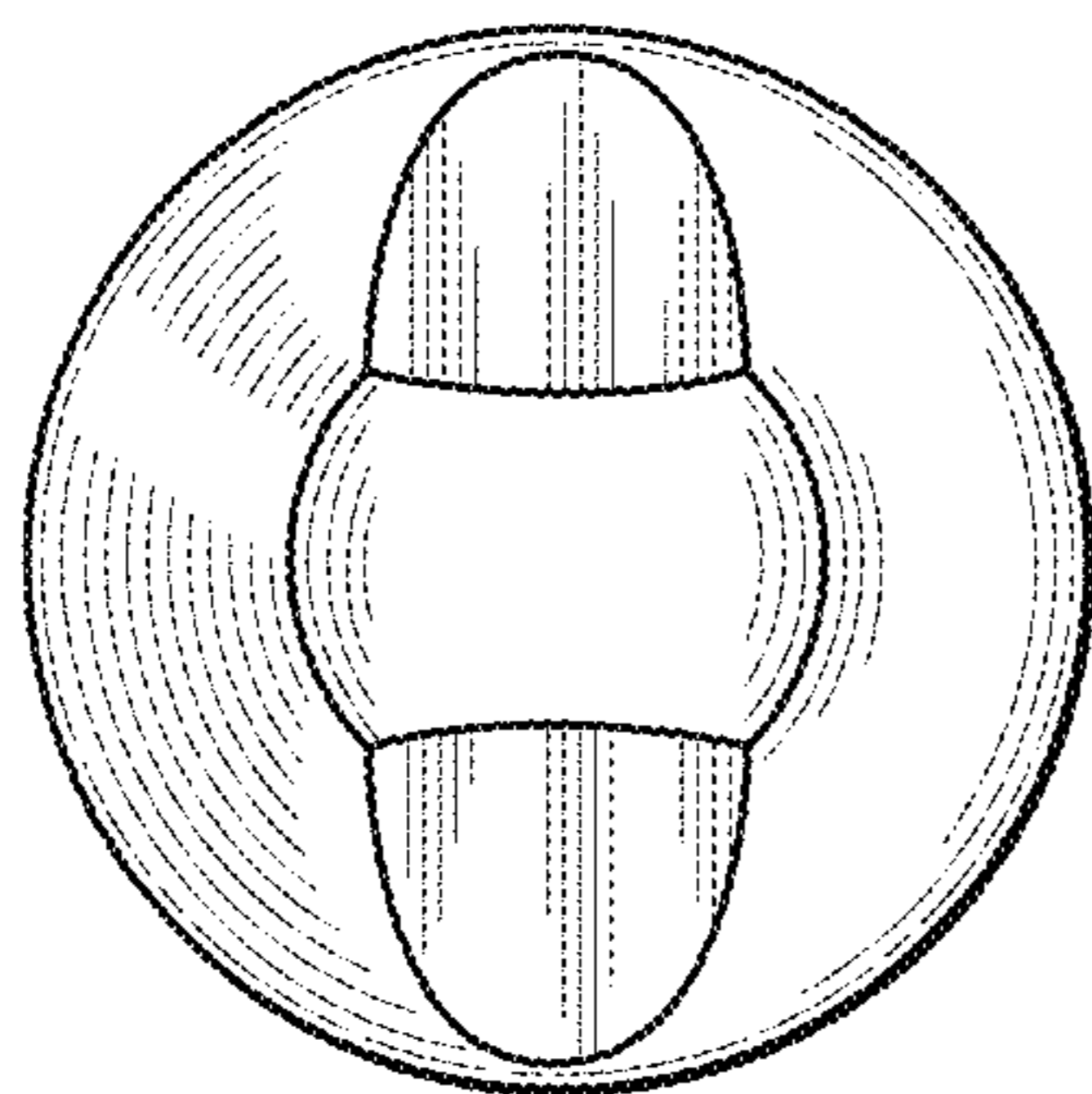


Fig. 5