



US00D781172S

(12) **United States Design Patent**
Coin

(10) **Patent No.:** **US D781,172 S**
(45) **Date of Patent:** **** Mar. 14, 2017**

- (54) **ARTICLE OF JEWELRY**
- (71) Applicant: **ROBERTO COIN S.p.A.**, Vicenza (IT)
- (72) Inventor: **Roberto Coin**, Vicenza (IT)
- (73) Assignee: **ROBERTO COIN S.p.A.** (IT)
- (**) Term: **15 Years**
- (21) Appl. No.: **29/559,833**
- (22) Filed: **Mar. 31, 2016**

- D538,194 S * 3/2007 Hardy D11/30
- D614,070 S * 4/2010 Cabarbaye D11/34
- D703,084 S * 4/2014 Parvex D11/1
- D720,644 S * 1/2015 Yatsugi-Kang D11/34
- D760,617 S * 7/2016 Kwon D11/34

(30) **Foreign Application Priority Data**

Mar. 4, 2016 (EM) 003013903-0001

- (51) **LOC (10) Cl.** **11-01**
- (52) **U.S. Cl.**
USPC **D11/26**

- (58) **Field of Classification Search**
USPC D11/1, 2, 26-39, 40-42, 79-86, 91, 92;
63/26-28
CPC A44C 9/00; A44C 9/0007; A44C 9/0015;
A44C 9/0023; A44C 9/003; A44C
9/0038; A44C 9/0046; A44C 9/0053;
A44C 9/0061; A44C 9/0069; A44C
9/0076; A44C 17/02; A44C 17/0208;
A44C 17/0216; A44C 17/0225; A44C
17/0233; A44C 17/0241; A44C 17/025;
A44C 17/0258; A44C 17/0266; A44C
17/0275; A44C 17/0283; A44C 17/0291
See application file for complete search history.

(56) **References Cited**

U.S. PATENT DOCUMENTS

- D59,798 S * 11/1921 Weed D11/79
- D170,241 S * 8/1953 Robbins D11/2
- 5,622,063 A * 4/1997 Slowinski A44C 17/02
63/28
- D494,883 S * 8/2004 Pachachi D11/33

OTHER PUBLICATIONS

- [Online] "Roberto Coin Princess 18kt Yellow Gold Flower Ring."
http://www.ross-simons.com/products/874040.html?sku=JGRX8740400658Y&utm_source=GMC&utm_medium=Feeds&utm_campaign=PMD_Retargeting&cm_mmc=gPLA--GMC--PmDigital--Null&gclid=Cj0KEQjw4rbABRD_gfPA2-uQdroBEiQA58MNdECPEnajk8JxXBjR5gXYEx4cS8MYXhZaGX1cchLVWQgaAm3_8P8HAQ. Retrieved Oct. 24, 2016.*
- [Online] <https://s-media-cache-ak0.pinimg.com/236x/59/30/0c/59300c36d2c95a8497c74caf28c7700a.jpg>. Retrieved Oct. 24, 2016.*

(Continued)

Primary Examiner — Melanie Pellegrini
(74) *Attorney, Agent, or Firm* — The Belles Group, P.C.

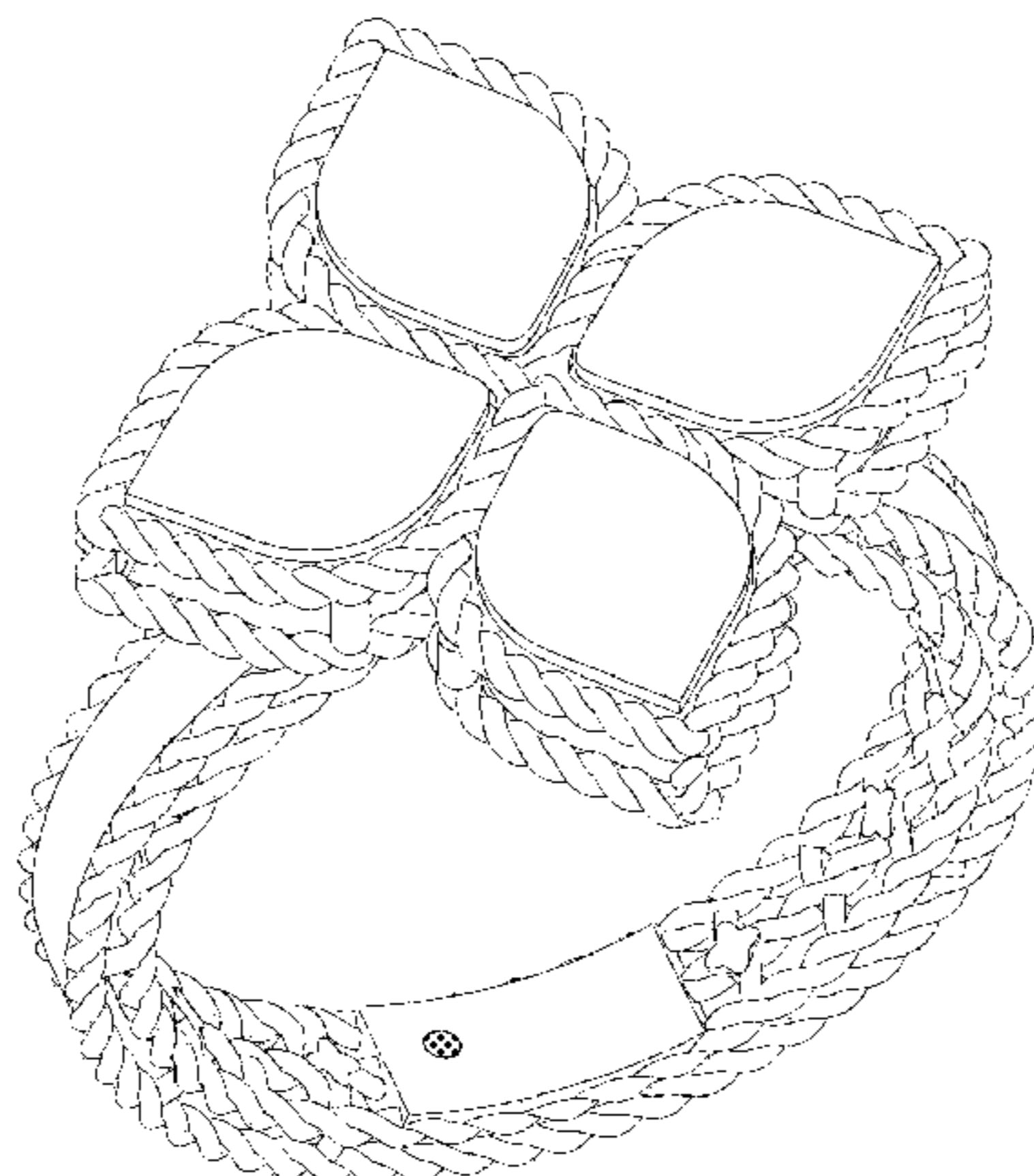
(57) **CLAIM**

The ornamental design for an article of jewelry, as shown and described.

DESCRIPTION

FIG. 1 is a top and side perspective view of an article of jewelry in accordance with the present invention;
FIG. 2 is a left-side view thereof;
FIG. 3 is a right-side view thereof;
FIG. 4 is a front view thereof;
FIG. 5 is a rear view thereof;
FIG. 6 is a top view thereof; and,
FIG. 7 is a bottom view thereof.
The grayscale shading in FIG. 1 represents a contrast in appearance.

1 Claim, 7 Drawing Sheets



(56)

References Cited

OTHER PUBLICATIONS

[Online] <http://img.davidyurman.com/is/image/DavidYurman/R12343D8RADI>. Retrieved Oct. 24, 2016.*

[Online] <http://www.polyvore.com/cgi/img-thing?.out=jpg&size=l&tid=121464675>. Retrieved Oct. 24, 2016.*

* cited by examiner

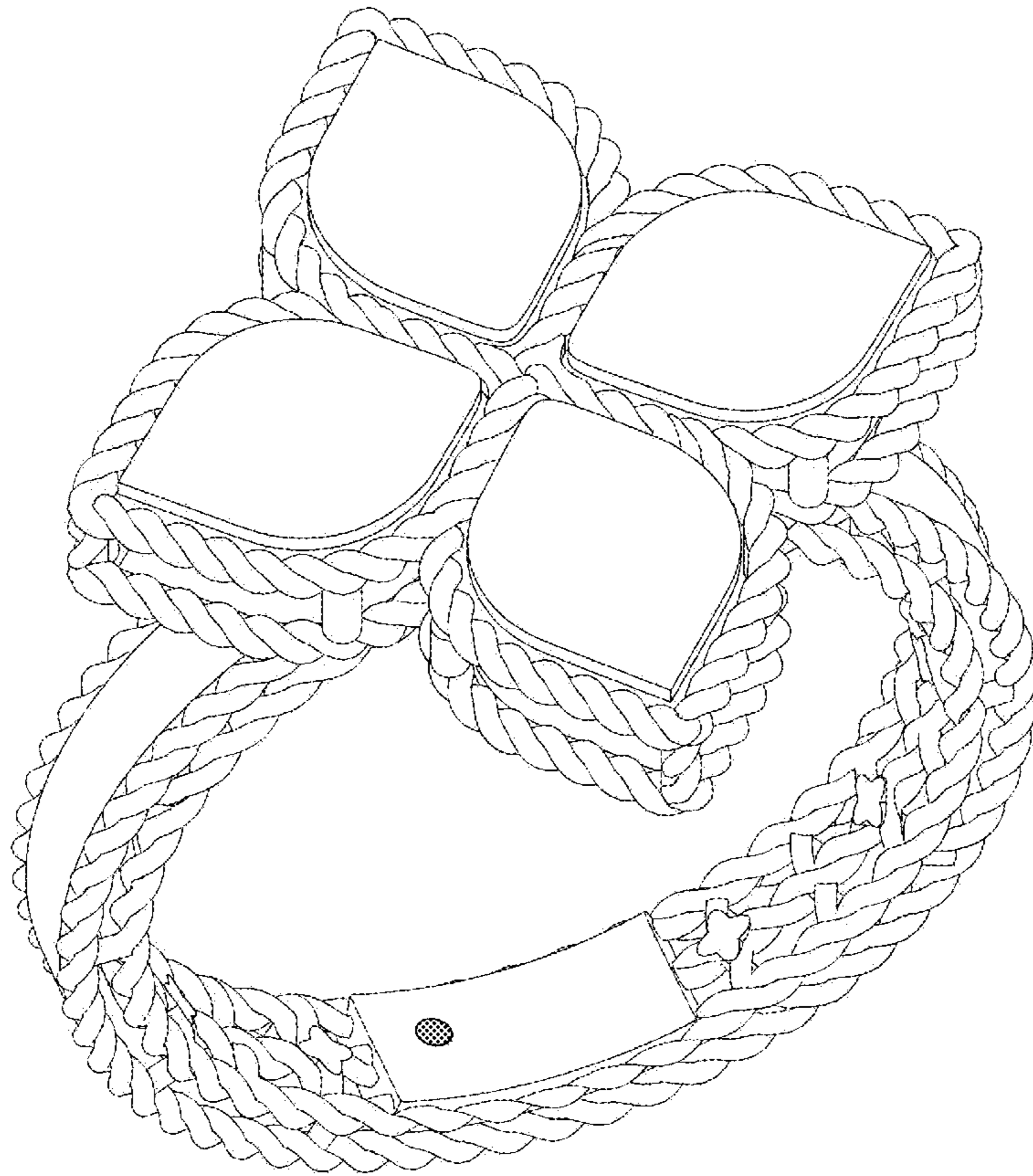


FIG. 1

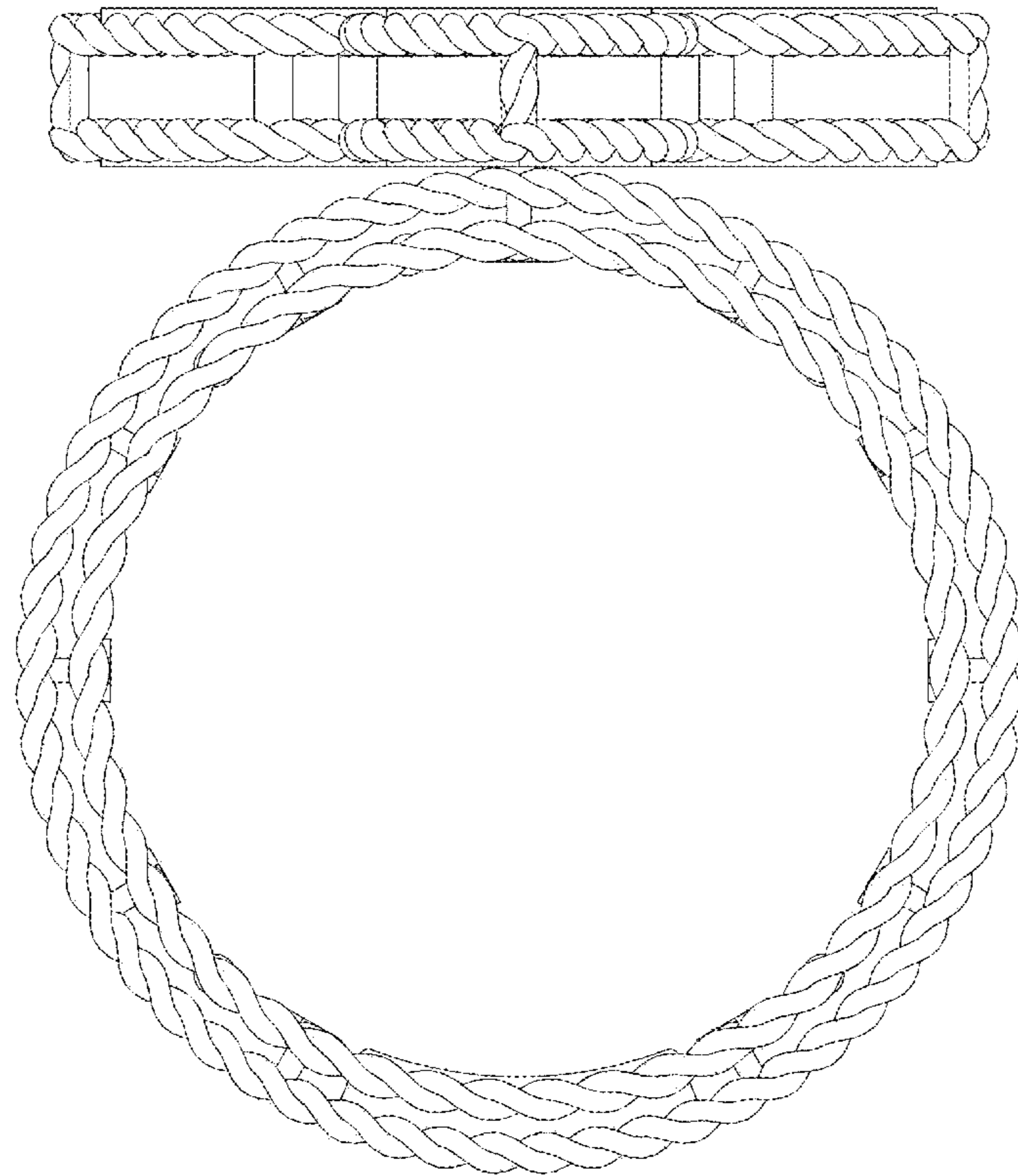


FIG. 2

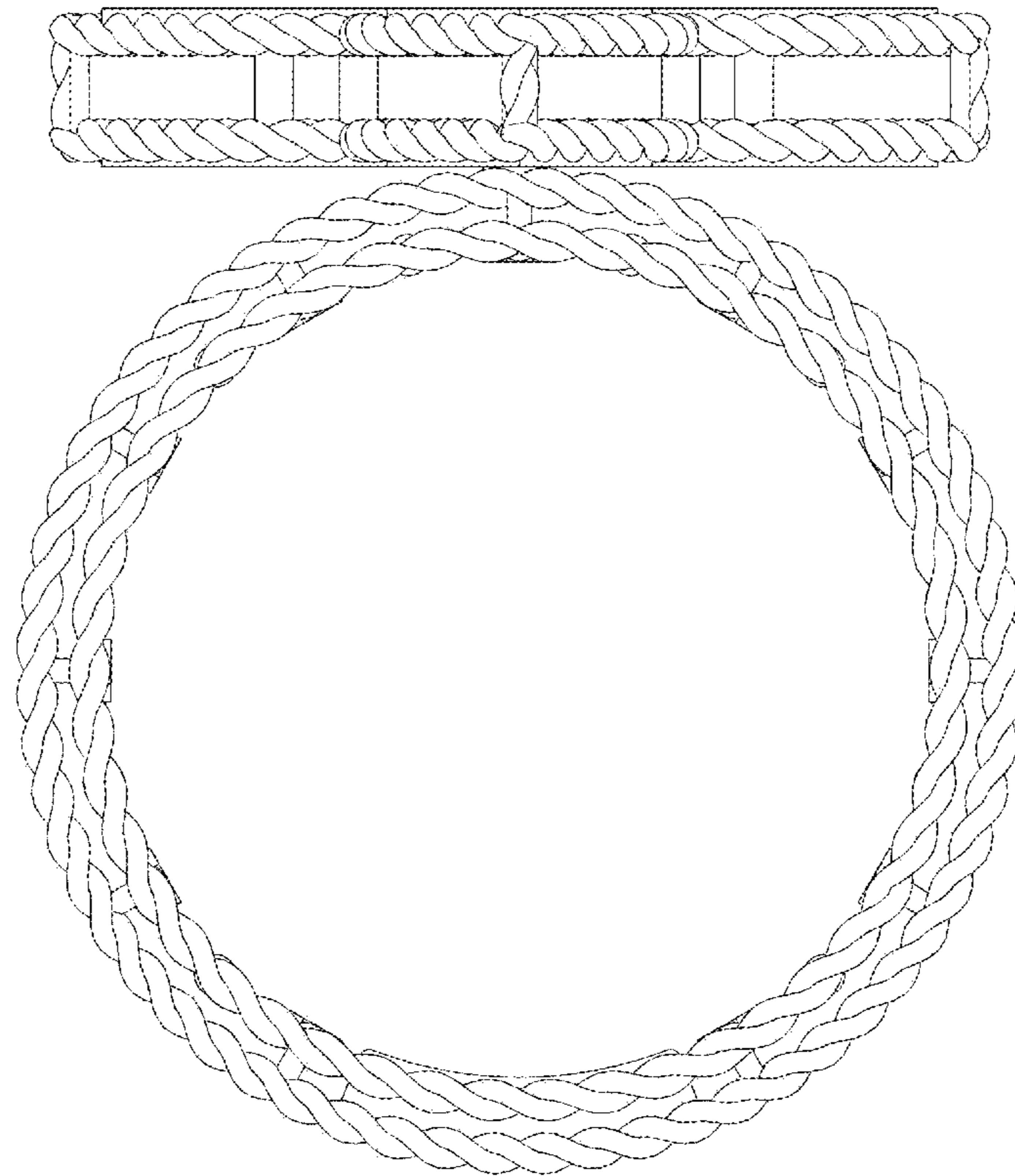


FIG. 3

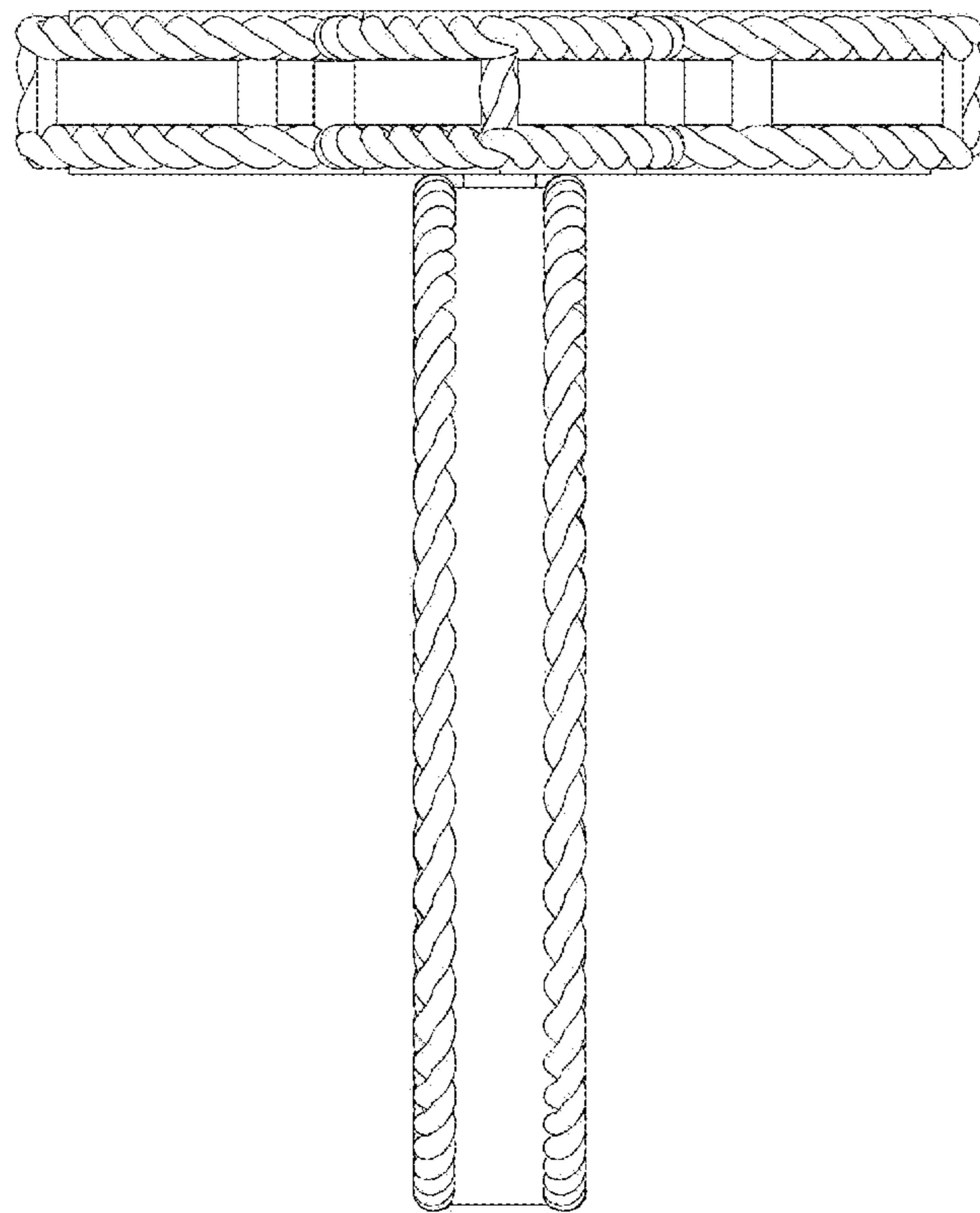


FIG. 4

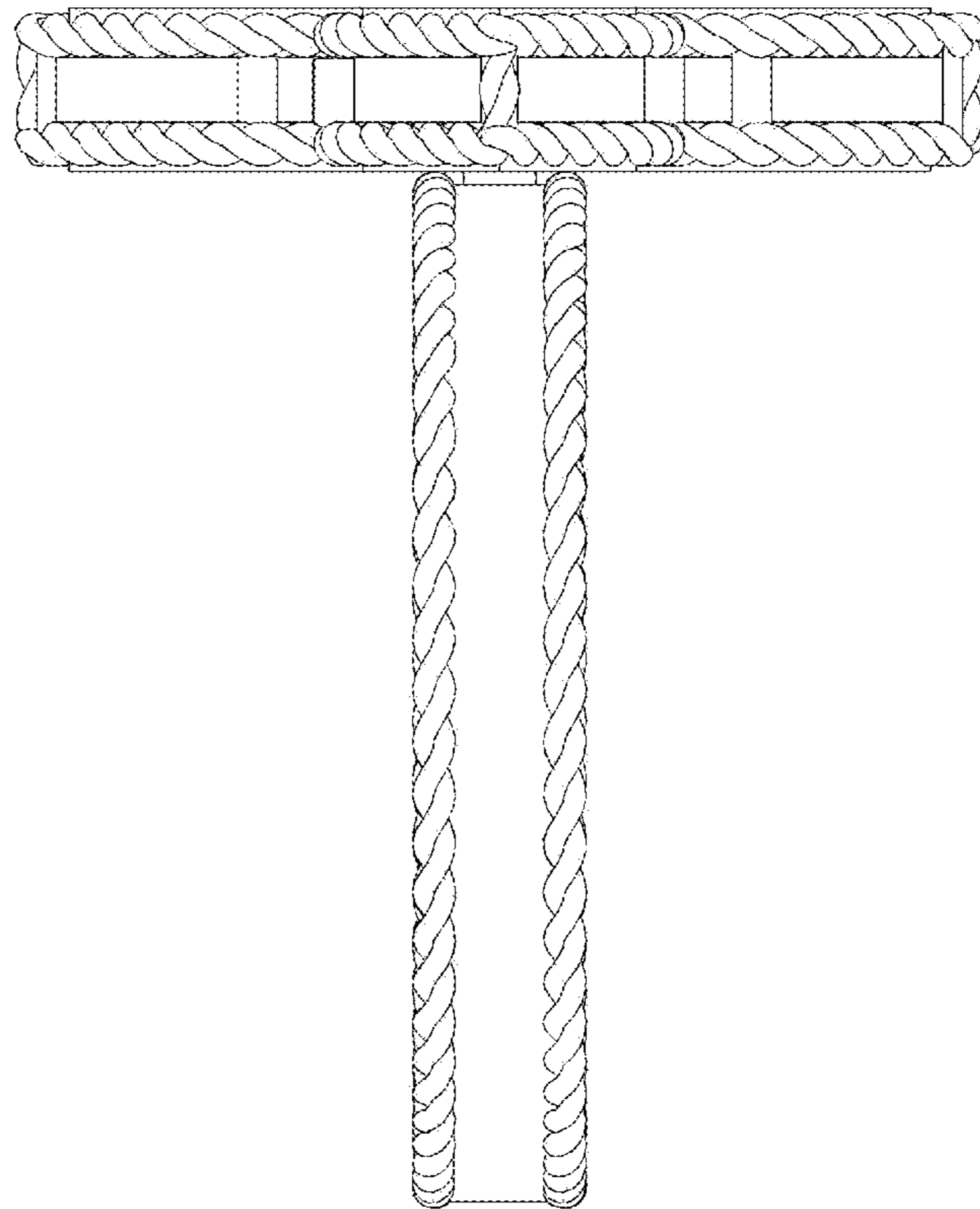


FIG. 5

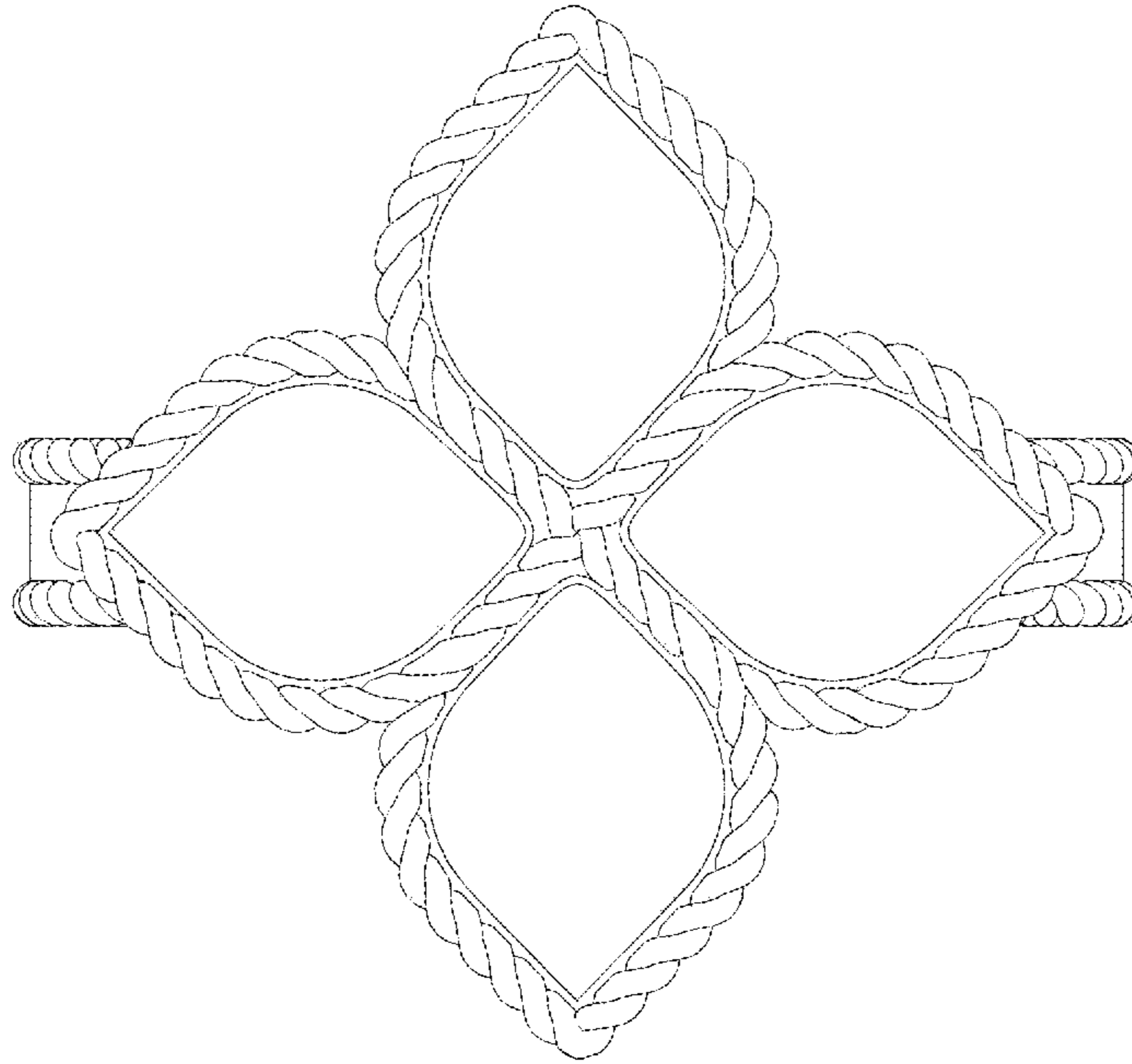


FIG. 6

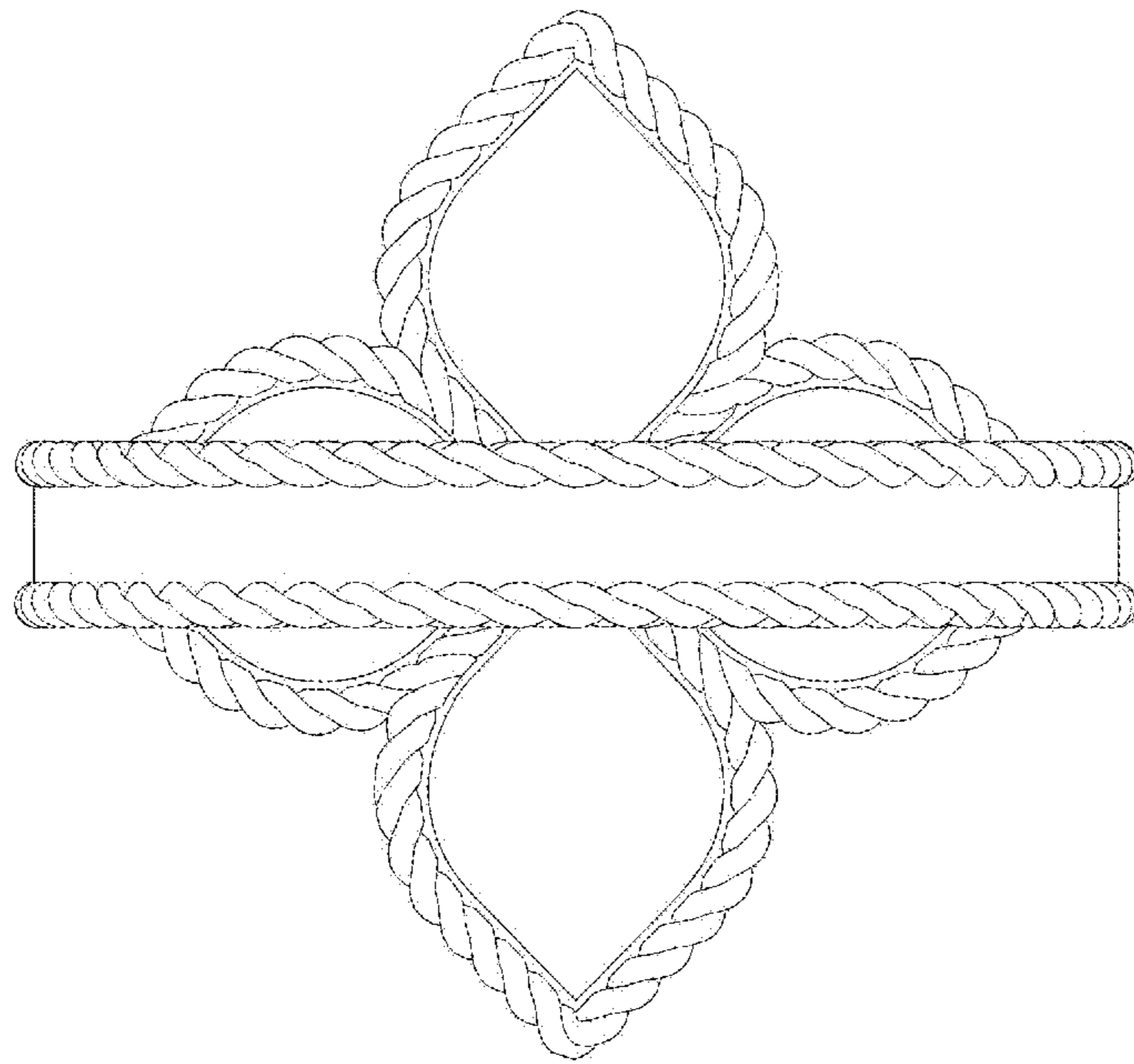


FIG. 7