

US00D781171S

(12) **United States Design Patent**
Akana et al.

(10) **Patent No.:** **US D781,171 S**
(45) **Date of Patent:** **** Mar. 14, 2017**

(54) **BAND**

(71) Applicant: **Apple Inc.**, Cupertino, CA (US)

(72) Inventors: **Jody Akana**, San Francisco, CA (US);
Bartley K. Andre, Palo Alto, CA (US);
Shota Aoyagi, San Francisco, CA (US);
Anthony Michael Ashcroft, San Francisco, CA (US);
Jeremy Bataillou, San Francisco, CA (US);
Daniel J. Coster, San Francisco, CA (US);
Daniele De Iuliis, San Francisco, CA (US);
M. Evans Hankey, San Francisco, CA (US);
Julian Hoenig, San Francisco, CA (US);
Richard P. Howarth, San Francisco, CA (US);
Jonathan P. Ive, San Francisco, CA (US);
Duncan Robert Kerr, San Francisco, CA (US);
Marc A. Newson, London (GB);
Matthew Dean Rohrbach, San Francisco, CA (US);
Peter Russell-Clarke, San Francisco, CA (US);
Benjamin Andrew Shaffer, San Jose, CA (US);
Mikael Silvano, San Francisco, CA (US);
Christopher J. Stringer, Woodside, CA (US);
Eugene Antony Whang, San Francisco, CA (US);
Rico Zörkendörfer, San Francisco, CA (US)

(73) Assignee: **Apple Inc.**, Cupertino, CA (US)

(**) Term: **15 Years**

(21) Appl. No.: **29/578,797**

(22) Filed: **Sep. 23, 2016**

Related U.S. Application Data

(63) Continuation of application No. 29/559,671, filed on Mar. 30, 2016, now Pat. No. Des. 768,025, which is a continuation of application No. 29/519,392, filed on Mar. 4, 2015, now Pat. No. Des. 753,008, which is a continuation of application No. 29/498,994, filed on

Aug. 11, 2014, now Pat. No. Des. 727,198, said application No. 29/559,671 is a continuation of application No. 29/556,094, filed on Feb. 26, 2016, now Pat. No. Des. 768,030, which is a continuation of application No. 29/523,808, filed on Apr. 14, 2015, now Pat. No. Des. 750,524, which is a continuation of application No. 29/498,994, filed on Aug. 11, 2014, now Pat. No. Des. 727,198.

(51) **LOC (10) Cl.** **11-01**

(52) **U.S. Cl.**
USPC **D11/3**

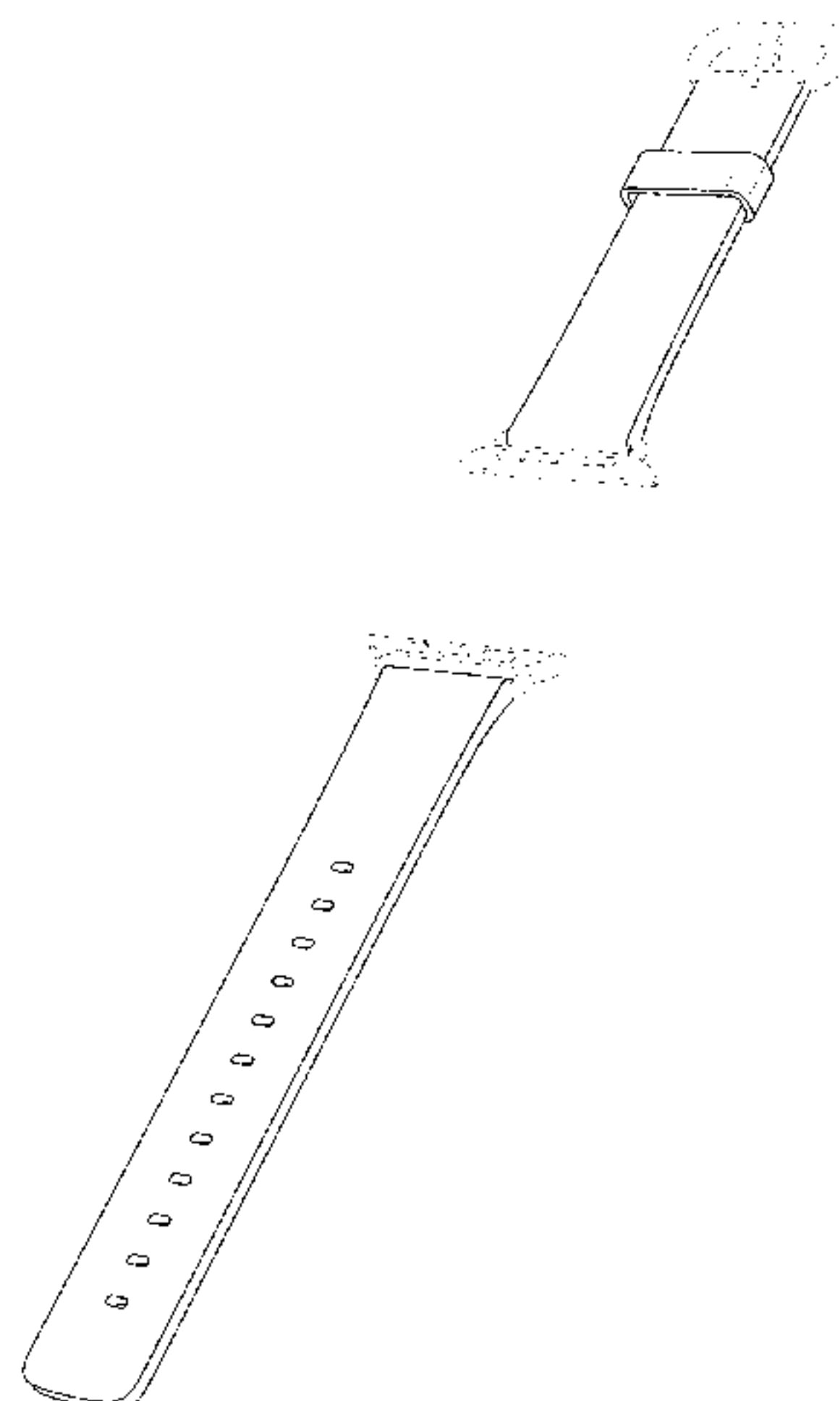
(58) **Field of Classification Search**
USPC D11/1-25, 86, 87, 93, 94, 234, 235, 231;
D10/30-39, 70, 46; 24/456, 574.1,
24/587.11, 587.12, 578.15; 600/301;
224/164, 175; 368/276, 281, 282, 285
CPC G04B 37/1486; G04B 37/16; G04B 37/18;
A44C 5/14; A44C 5/0053; A44C 5/0069;
A44C 5/0076; A44C 5/00; A44C 5/0007;
A44C 5/0015; A44C 5/0023; A44C
5/003; A44C 5/0061; A44C 5/12; A44C
5/147; A44C 5/18; A44C 5/185; A44C
5/2047; A44C 5/2052; A44B 11/006;
A44B 11/24

See application file for complete search history.

(56) **References Cited**

U.S. PATENT DOCUMENTS

795,308 A * 7/1905 Reznicek A44B 11/006
24/265 BC
D73,647 S * 10/1927 Dinstman D10/32
1,725,786 A 8/1929 Eklund
2,280,490 A 4/1942 Keltie
2,397,797 A 4/1946 Curto
2,420,435 A 5/1947 Lackow
D175,630 S * 9/1955 Nienaber D11/3
3,030,686 A 4/1962 Burkhardt
3,609,963 A 10/1971 Minoru
3,665,565 A 5/1972 Kruger
3,675,284 A 7/1972 Rieth
D303,635 S 9/1989 Kurzina et al.
D305,743 S 1/1990 Hirsch
D306,981 S * 4/1990 Bettelini D11/3
D310,035 S * 8/1990 Braun D10/32
D314,527 S * 2/1991 Kaneko D11/3



D317,413 S * 6/1991 Veronesi D10/32
 D320,356 S 10/1991 Boyer et al.
 D323,783 S 2/1992 Margaritelli
 D331,020 S 11/1992 Ishii et al.
 5,363,351 A 11/1994 Carney
 D365,533 S * 12/1995 Burgener D11/3
 5,574,701 A 11/1996 Harilela
 D377,613 S * 1/1997 Consolo D10/32
 D377,914 S 2/1997 Riley
 D379,327 S 5/1997 Navera
 D379,775 S 6/1997 Gazzola
 D379,940 S * 6/1997 Riley D11/3
 D382,819 S 8/1997 Shapiro et al.
 D383,985 S 9/1997 Davenport
 D386,980 S 12/1997 Houlihan
 D391,882 S * 3/1998 Roales D11/3
 5,886,669 A 3/1999 Kita
 D409,504 S * 5/1999 Collier D10/126
 D440,901 S 4/2001 Bruce et al.
 6,219,303 B1 4/2001 Morohoshi et al.
 D441,680 S 5/2001 Bruce et al.
 6,238,083 B1 5/2001 Hirano et al.
 D473,818 S 4/2003 Salvisberg
 D494,098 S 8/2004 Cohen
 6,801,476 B2 10/2004 Gilmour
 D535,205 S * 1/2007 Frederick D10/104.1
 7,275,667 B2 10/2007 Bertucci
 D564,904 S 3/2008 Leung
 D622,164 S 8/2010 Mikkelsen
 D631,373 S 1/2011 Mikkelsen
 D643,772 S 8/2011 Mikkelsen
 8,601,784 B2 12/2013 Kaltenrieder
 8,613,544 B2 12/2013 Kitahara et al.
 D715,163 S 10/2014 Jamin
 D715,674 S 10/2014 Squires
 D719,467 S 12/2014 Bradbury
 D720,249 S 12/2014 Park et al.
 8,960,510 B2 2/2015 Bertucci
 D724,469 S 3/2015 Akana et al.
 D727,197 S 4/2015 Akana et al.
 D727,198 S 4/2015 Akana et al.
 D727,199 S 4/2015 Akana et al.
 D727,787 S 4/2015 Akana et al.
 D728,406 S 5/2015 Cerrato
 D728,407 S * 5/2015 Cerrato D11/3
 D729,681 S * 5/2015 Lee D11/3
 D731,346 S 6/2015 Akana et al.
 D732,022 S * 6/2015 Song D14/344
 D732,414 S * 6/2015 Cerrato D11/3
 D732,416 S 6/2015 Akana et al.
 D737,156 S 8/2015 Akana et al.
 D737,157 S 8/2015 Akana et al.
 D737,158 S 8/2015 Akana et al.
 D737,159 S 8/2015 Akana et al.
 D738,250 S * 9/2015 Cerrato D11/3
 D739,780 S 9/2015 Akana et al.
 D744,356 S 12/2015 Akana et al.
 D745,421 S 12/2015 Akana et al.
 D746,707 S 1/2016 Akana et al.
 D747,997 S 1/2016 Akana et al.
 D748,008 S 1/2016 Akana et al.
 D748,009 S 1/2016 Akana et al.
 D748,010 S 1/2016 Akana et al.
 D748,527 S 2/2016 Akana et al.
 D749,009 S 2/2016 Akana et al.
 D749,460 S 2/2016 Akana et al.
 D750,524 S 3/2016 Akana et al.
 D751,070 S 3/2016 Akana et al.
 D753,008 S 4/2016 Akana et al.
 D755,662 S * 5/2016 Akana D11/3
 D756,357 S 5/2016 Akana et al.
 D759,725 S 6/2016 Akana et al.
 D763,719 S * 8/2016 Nielsen D11/3
 D764,340 S 8/2016 Akana et al.
 D767,435 S * 9/2016 Lee D11/3
 D767,436 S * 9/2016 Goodner D11/3
 D768,025 S * 10/2016 Akana D11/3
 D771,036 S * 11/2016 Akana D14/344
 D771,038 S * 11/2016 Akana D14/344

2001/0017663 A1 8/2001 Yamaguchi et al.
 2002/0051075 A1 5/2002 Yamaguchi et al.
 2007/0070823 A1 3/2007 Sima
 2011/0197400 A1 8/2011 Chevrolet
 2014/0096345 A1 4/2014 Tschumi
 2014/0098649 A1 4/2014 Tschumi

FOREIGN PATENT DOCUMENTS

DE 19513647 A1 10/1995
 EM 001109706-0025 5/2009
 EP 2636328 A1 9/2013
 GB 618917 A 3/1949
 GB 1056574 8/1989
 GB 2047767 9/1995
 GB 2049316 12/1995
 GB 2082277 6/1999
 JP D1126907 11/2001
 JP D1337795 8/2008
 JP D1423962 9/2011
 JP D1433115 2/2012
 JP D1448029 8/2012
 JP D1462747 2/2013
 WO WO-DM/012262-001 1/1989
 WO WO-DM/049450-002 12/1999
 WO WO-DM/079044-003 9/2012
 WO WO-2013182397 A1 12/2013

OTHER PUBLICATIONS

etsy.com, “1 Set Silver End Cap Clasp—Findings Large Toggle Clasp End Caps Buckle Connector with Five Inside Loops for Jewelry Making 26mm,” <<http://www.etsy.com/listing/101269004/1-set-silver-end-cap-clasp-findings?ref=market>>, Listed on Aug. 29, 2014, accessed Oct. 9, 2014.
 “Field Ops Watch Band Kit” <<http://www.511tactical.com/field-ops-watch-band-kit.html>>, accessed Nov. 25, 2014.
 Hiemstra, Graham, “Worn & Wound Model 1 Horween Watch Strap,” <<http://www.coolhunting.com/style/worn-wound-model-1-horween-watch-strap>>, dated Aug. 27, 2013, accessed Nov. 25, 2014.
 Hilbourne, Jason, “Wide Body: straps for Pebble,” <<https://www.kickstarter.com/projects/1171859847/wide-body-straps-for-pebble>>, Listed Apr. 2, 2013, accessed Nov. 25, 2014.
 Metawatch, “Frame—Black (MW3005),” <<http://meta.watch/collections/smartwatch-all/products/frame-ss-black-leather>>, accessed Dec. 15, 2014.
 [Online] http://a.abcnews.com/images/Business/HT_gold_apple_iwatch_jef_140909_4x3_992.jpg, Retrieved on Feb. 4, 2015, 1 page.
 [Online] <http://cdn.macrumors.com/article-new/2014/09/applewatchstainless38mm-800x371.jpg>. Retrieved Jun. 9, 2016.
 [Online] http://www.sammaselec.com/photo/pl2595981-leather-apple_watch_band_classic_buckle_with_adapter_in_different_colors_and_leather_types.jpg. Retrieved Aug. 17, 2015.
 Pebble, “Pebble Smartwatch,” getpebble.com, <<https://getpebble.com/checkout>>, accessed Dec. 15, 2014.
 “Timex Men’s Q7B808 Ironman Triathlon 30-Lap Resin 16mm Replacement Watchband” <http://www.amazon.com/Timex-Ironman-Triathlon-Replacement-Watchband/dp/B003OPZ5D0/ref=sr_1?s=apparel&ie=UTF8&qid=1416701895&sr=1-1&keywords=Timex+Men%27s+Q7B808+Ironman+Triathlon+30-Lap+Resin+16mm+Replacement+Watchband>, accessed Nov. 25, 2014.
 Velazco, Chris, “ASUS ZenWatch review: subtle and stylish, with a few shortcomings,” Engadget.com, <<http://www.engadget.com/2014/12/11/asus-zenwatch-review/>>, dated Dec. 11, 2014, accessed Dec. 15, 2014.
 WatchCat Online Shopping Mall, “PJS Seiko,” <http://m.watchcat.co.kr/board/product/read.html?board_no=4&no=27504>, dated Oct. 26, 2012, accessed Oct. 8, 2015.

WatchCat Online Shopping Mall, “PVD Zulu style Military Nylon band/strap,” http://www.watchcat.kr/product/detail.html?product_no=5162&cate_no=642&display_group=1, dated 2010, accessed Oct. 8, 2015.

U.S. Appl. No. 29/499,081, filed Aug. 11, 2014; Akana et al.

U.S. Appl. No. 29/499,082, filed Aug. 11, 2014; Akana et al.

U.S. Appl. No. 29/499,090, filed Aug. 11, 2014; Akana et al.

* cited by examiner

Primary Examiner — Melanie Pellegrini

(74) *Attorney, Agent, or Firm* — Sterne, Kessler,
Goldstein & Fox P.L.L.C.

(57) **CLAIM**

The ornamental design for a band, as shown and described.

DESCRIPTION

FIG. 1 is a bottom front perspective view of a band showing the claimed design;

FIG. 2 is a bottom rear perspective view thereof;

FIG. 3 is a front view thereof

FIG. 4 is a rear view thereof;

FIG. 5 is a left side view thereof;

FIG. 6 is a right side view thereof;

FIG. 7 is a top view thereof;

FIG. 8 is a bottom view thereof; and,

FIG. 9 is a perspective view thereof showing the band in an environment in which it may be used.

The broken lines in the figures show portions of the band and environment that form no part of the claimed design.

1 Claim, 6 Drawing Sheets

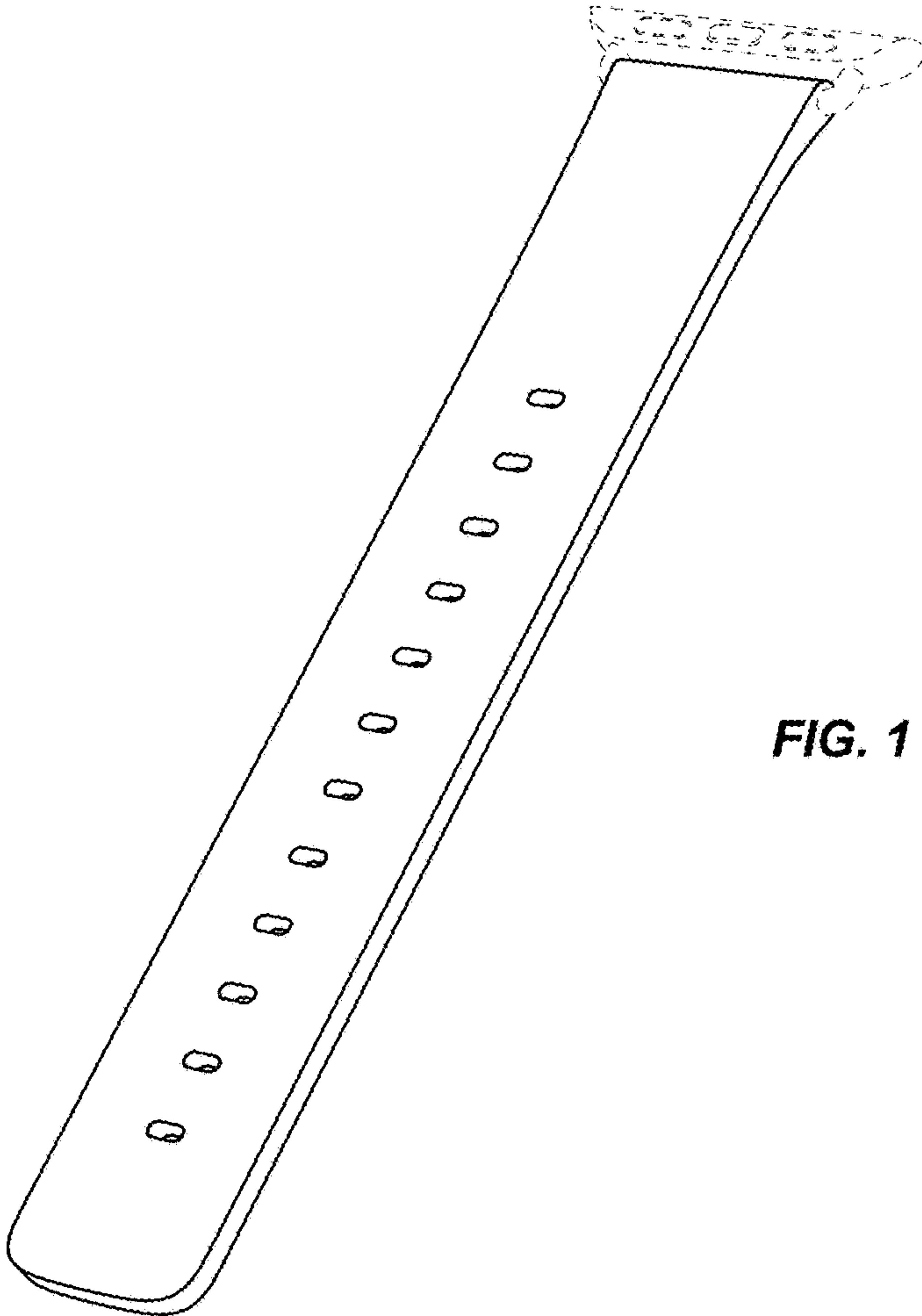
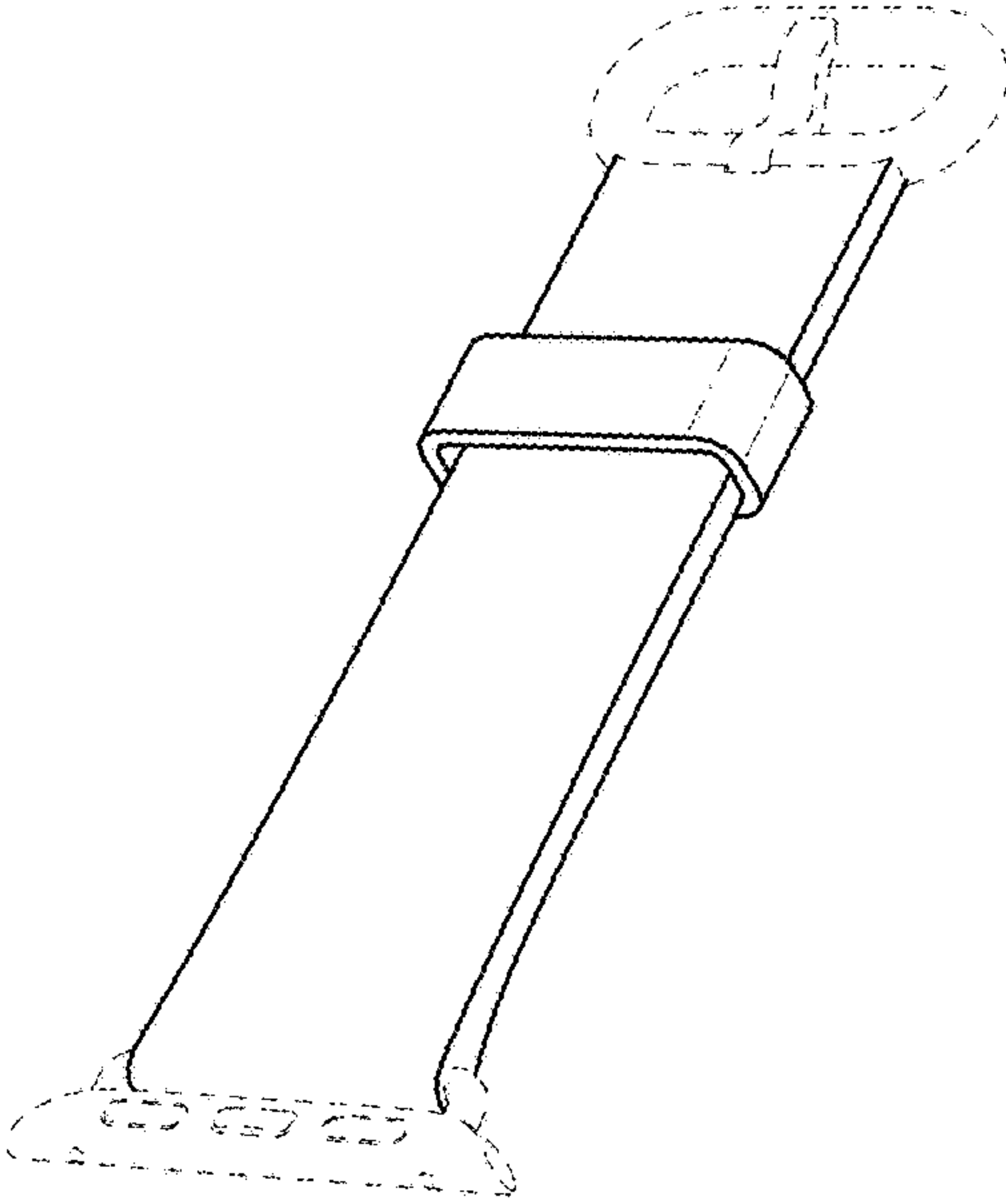


FIG. 1

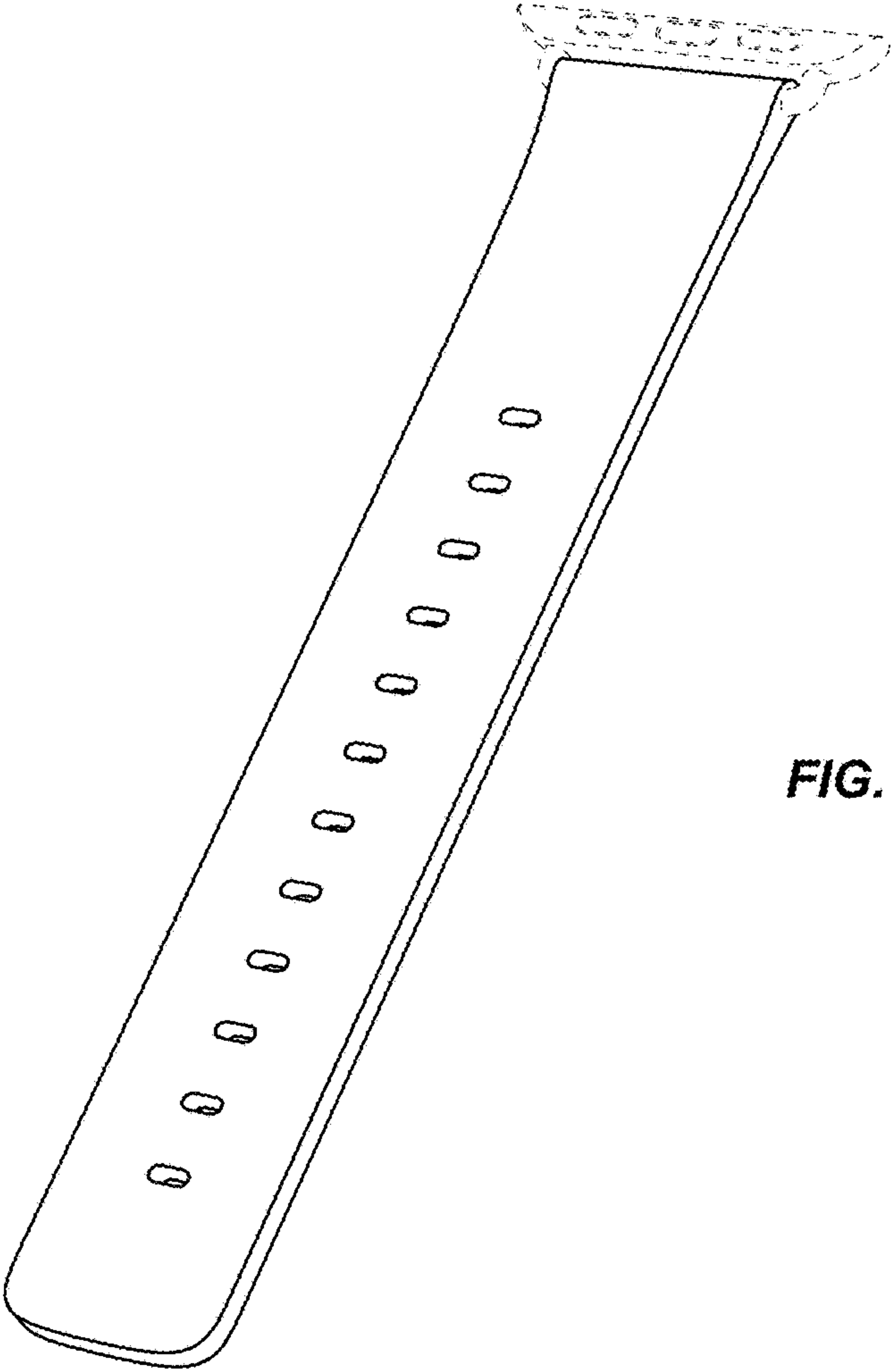
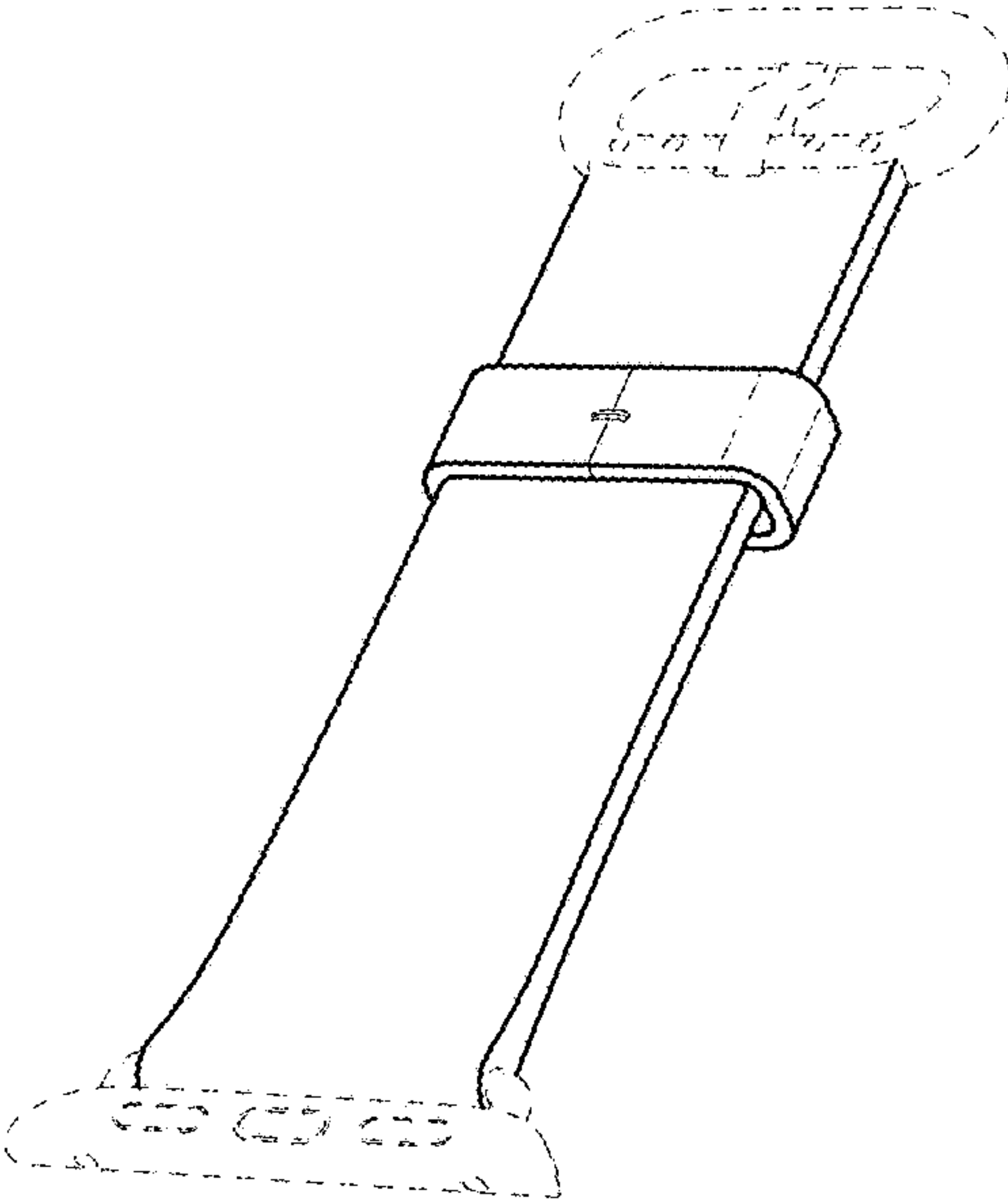


FIG. 2

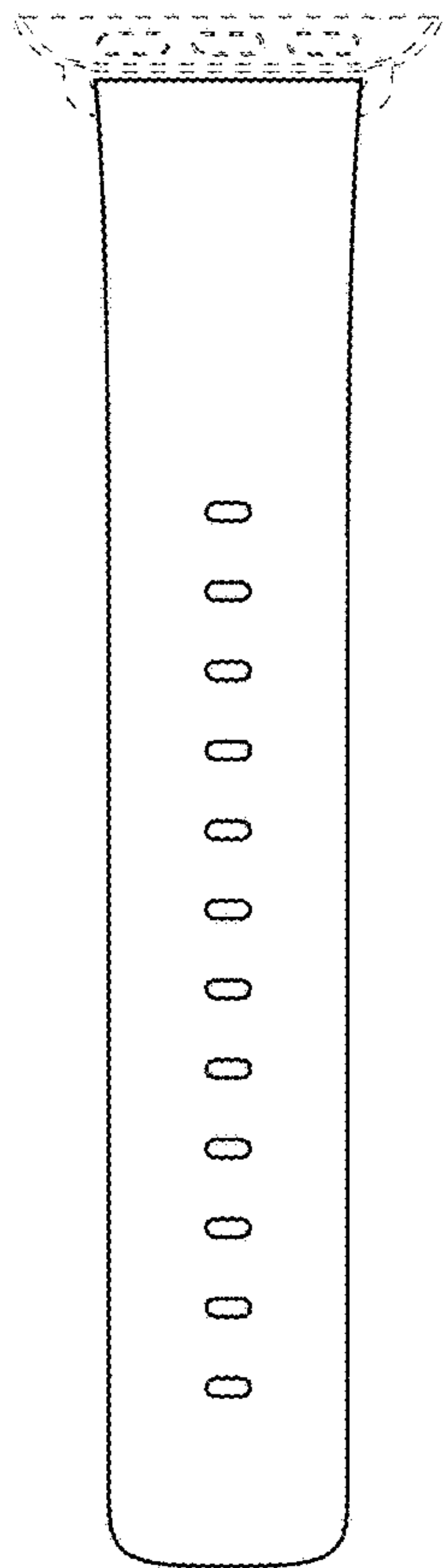
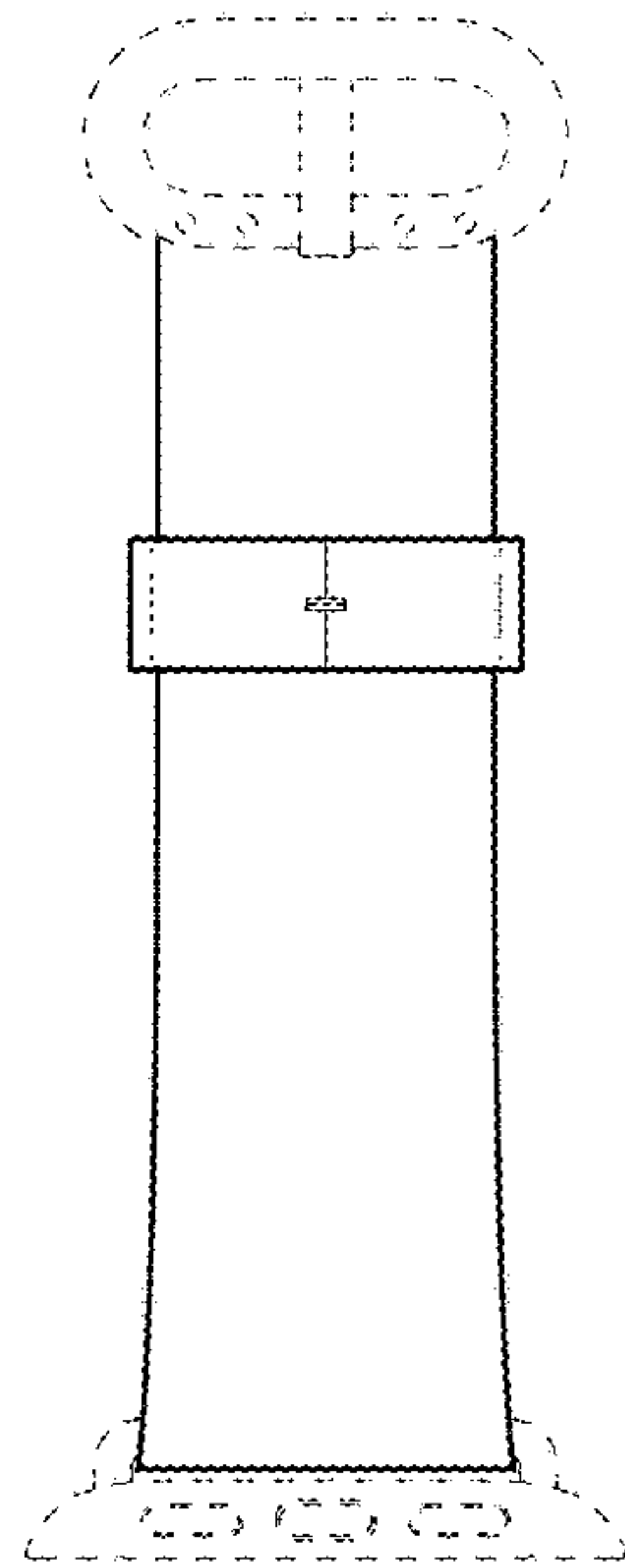
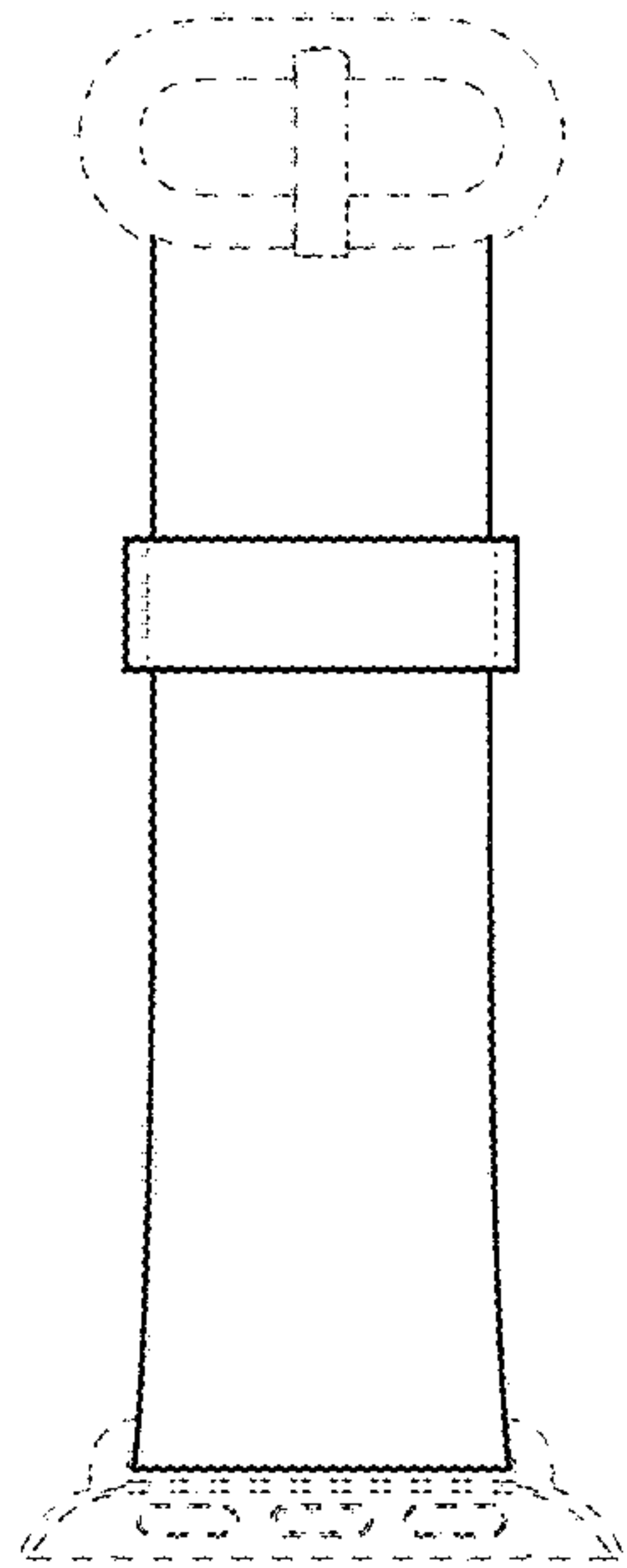


FIG. 3

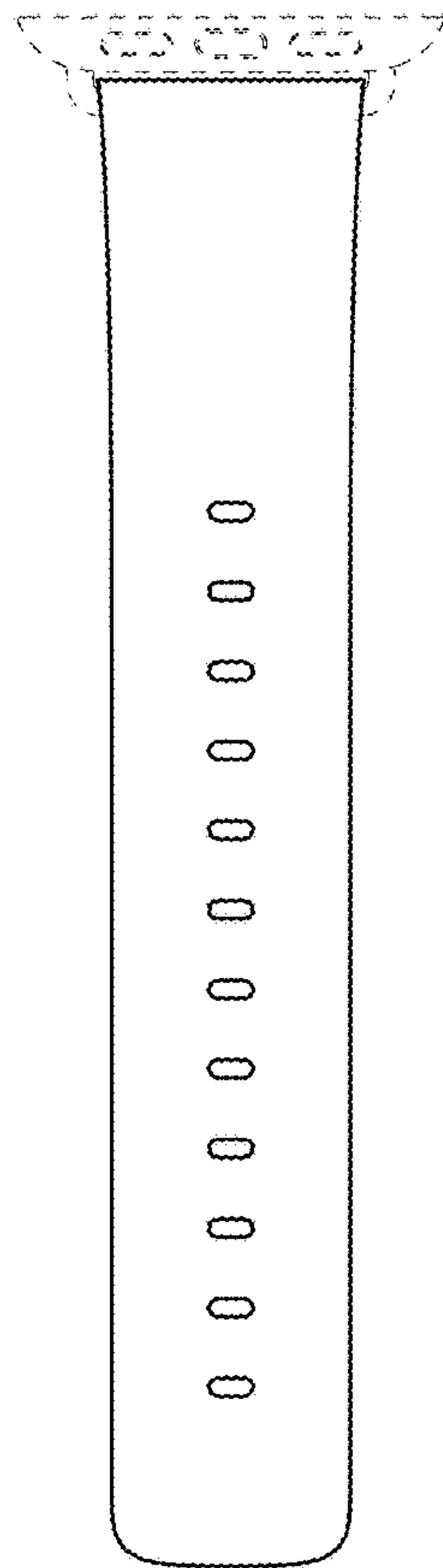


FIG. 4

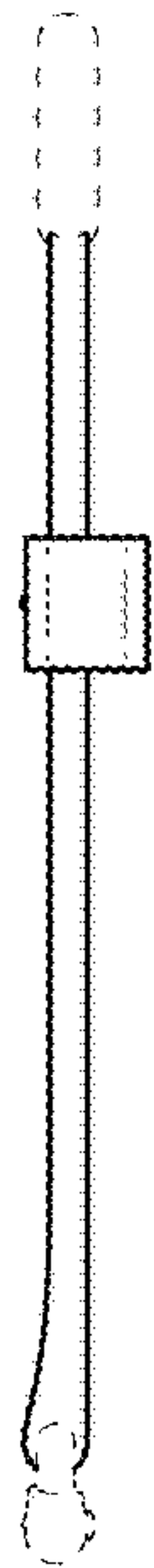


FIG. 5

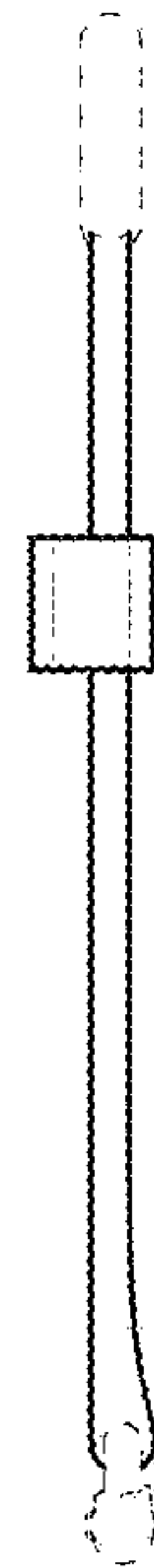
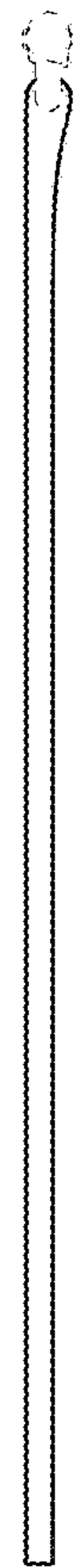


FIG. 6



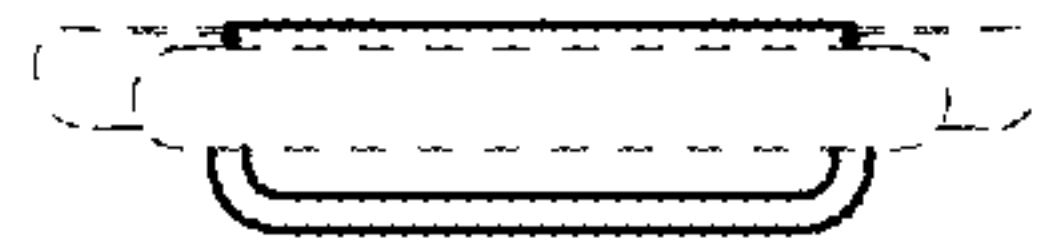


FIG. 7

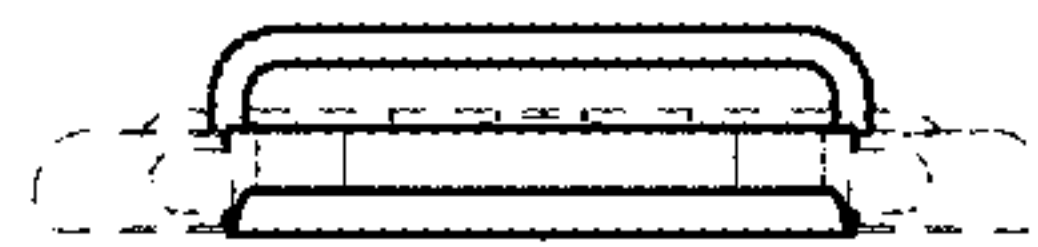


FIG. 8

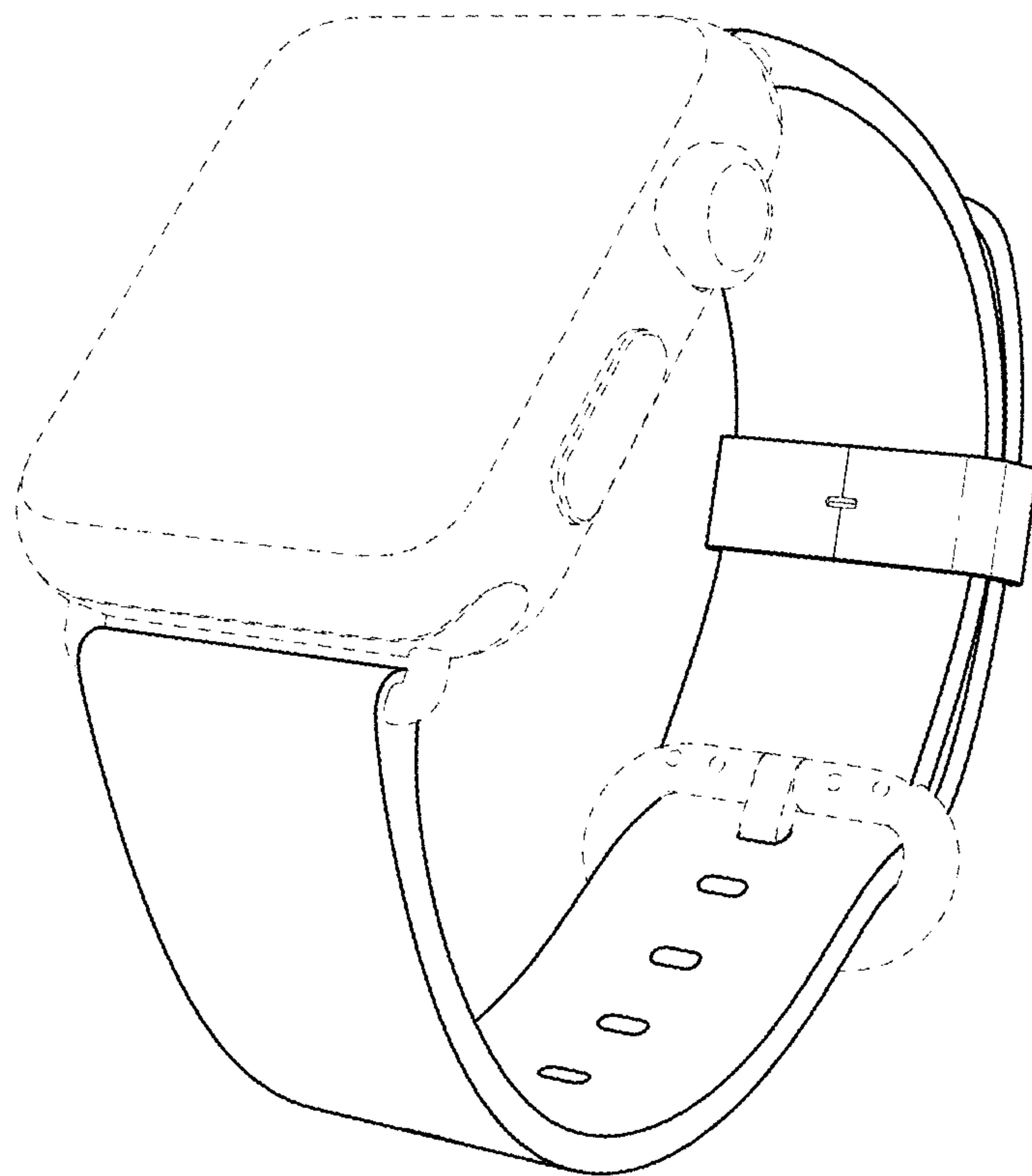


FIG. 9