



US00D781164S

(12) **United States Design Patent**
Haapakoski

(10) **Patent No.:** **US D781,164 S**
(45) **Date of Patent:** **** Mar. 14, 2017**

(54) **DEVICE FOR RECORDING PHYSICAL EXERCISE**

(71) Applicant: **Polar Electro Oy**, Kempele (FI)

(72) Inventor: **Heli Haapakoski**, Oulu (FI)

(73) Assignee: **Polar Electro Oy**, Kempele (FI)

(**) Term: **15 Years**

(21) Appl. No.: **29/540,618**

(22) Filed: **Sep. 25, 2015**

(30) **Foreign Application Priority Data**

Jun. 18, 2015 (EM) 002721548-0001

(51) **LOC (10) Cl.** **10-04**

(52) **U.S. Cl.**
USPC **D10/70**; D10/39; D10/65; D10/97;
D10/98; D14/344; D24/167; D24/168; D24/186;
D11/3

(58) **Field of Classification Search**
USPC D10/30-39, 65, 70, 78, 97, 98; D11/3;
D14/344; D24/167, 168, 186
CPC G04B 19/00-19/34; G04B 21/12; G04B
23/12; G04B 37/00-37/228; G04B
47/00-47/068; G01C 17/00; G01C
21/00-21/3697; G01C 22/00-22/025;
G01C 23/00; G06F 19/3481; G06F
3/00-3/027

See application file for complete search history.

(56) **References Cited**

U.S. PATENT DOCUMENTS

D730,763 S * 6/2015 Haapakoski D10/70
D754,356 S * 4/2016 Lee D11/3

* cited by examiner

Primary Examiner — Antoine D Davis

(74) *Attorney, Agent, or Firm* — Hoffmann & Baron, LLP

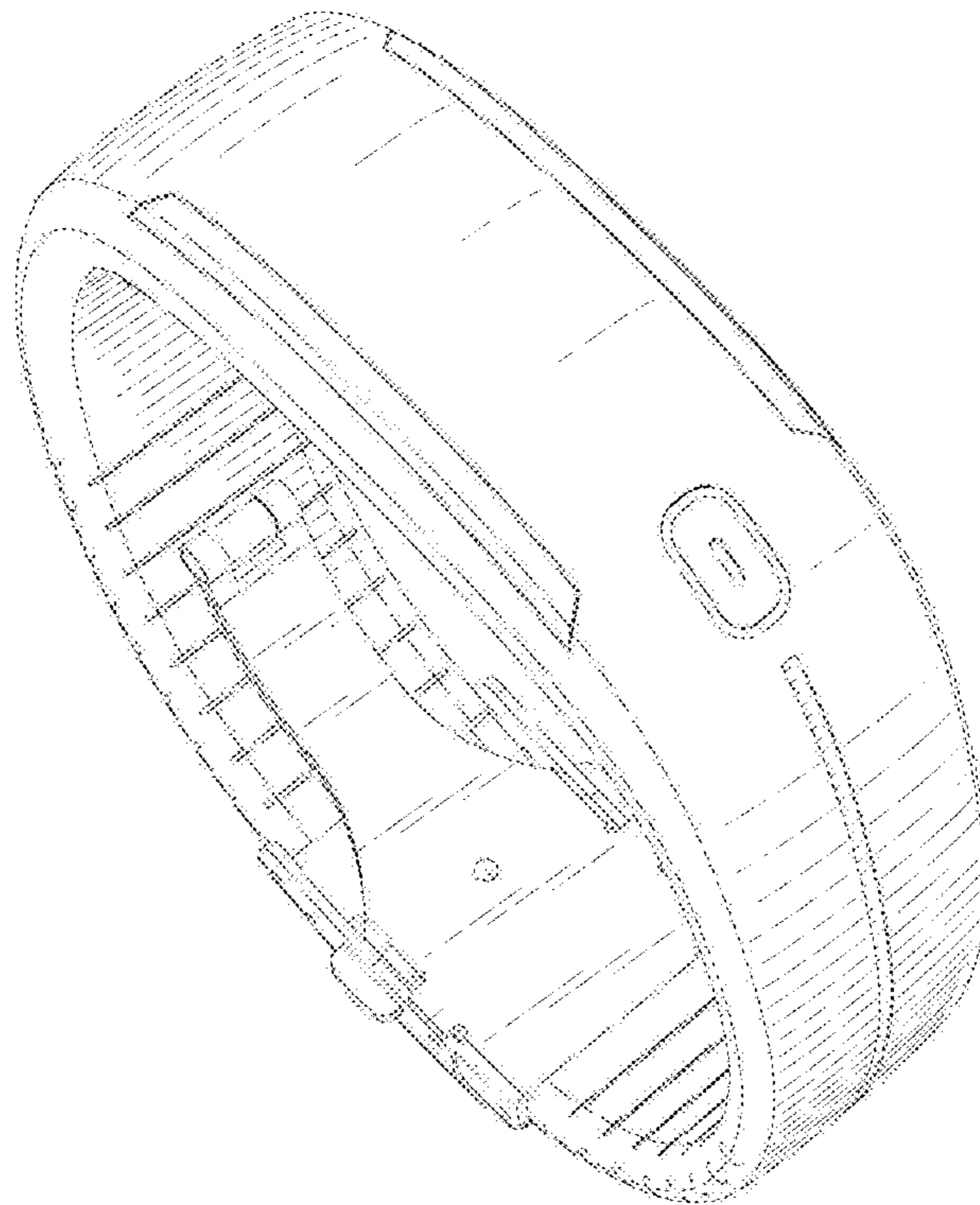
(57) **CLAIM**

The ornamental design for a device for recording physical exercise, as shown and described.

DESCRIPTION

FIG. 1 is a front view of the device for recording physical exercise;
FIG. 2 is a rear view of the device for recording physical exercise;
FIG. 3 is a top view of the device for recording physical exercise;
FIG. 4 is a bottom view of the device for recording physical exercise;
FIG. 5 is a right-side view of the device for recording physical exercise;
FIG. 6 is a left-side view of the device for recording physical exercise; and,
FIG. 7 is an isometric view of the device for recording physical exercise.

1 Claim, 7 Drawing Sheets



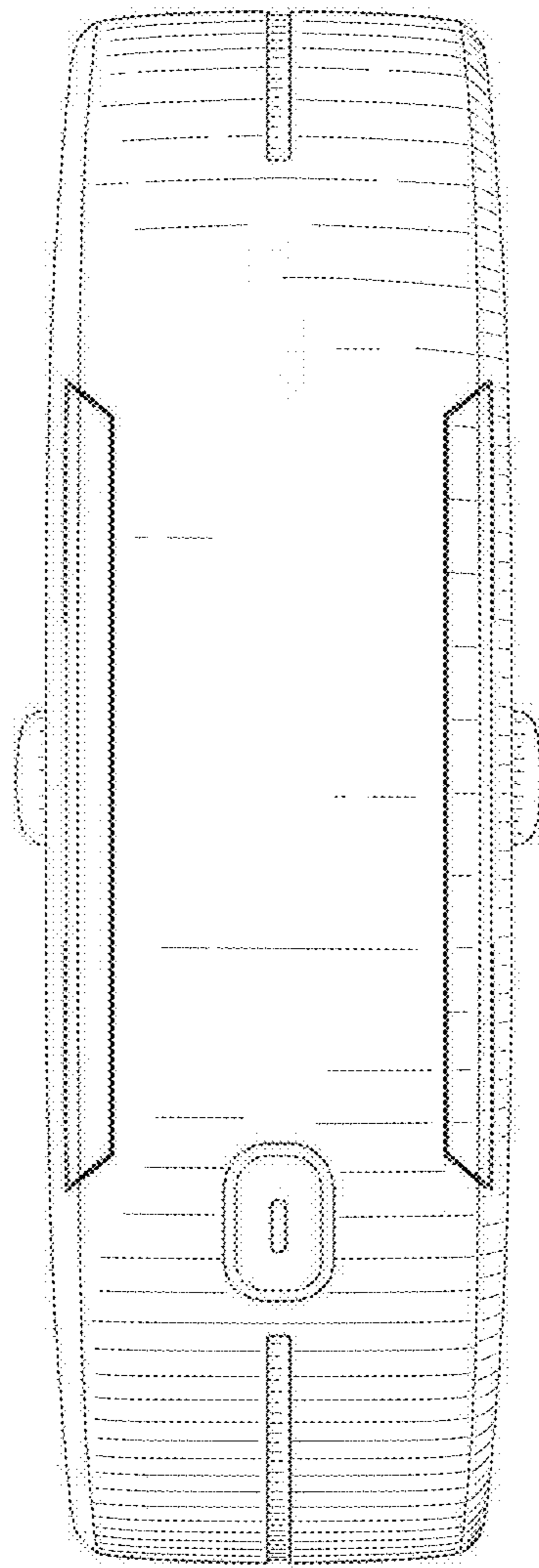


FIG. 1

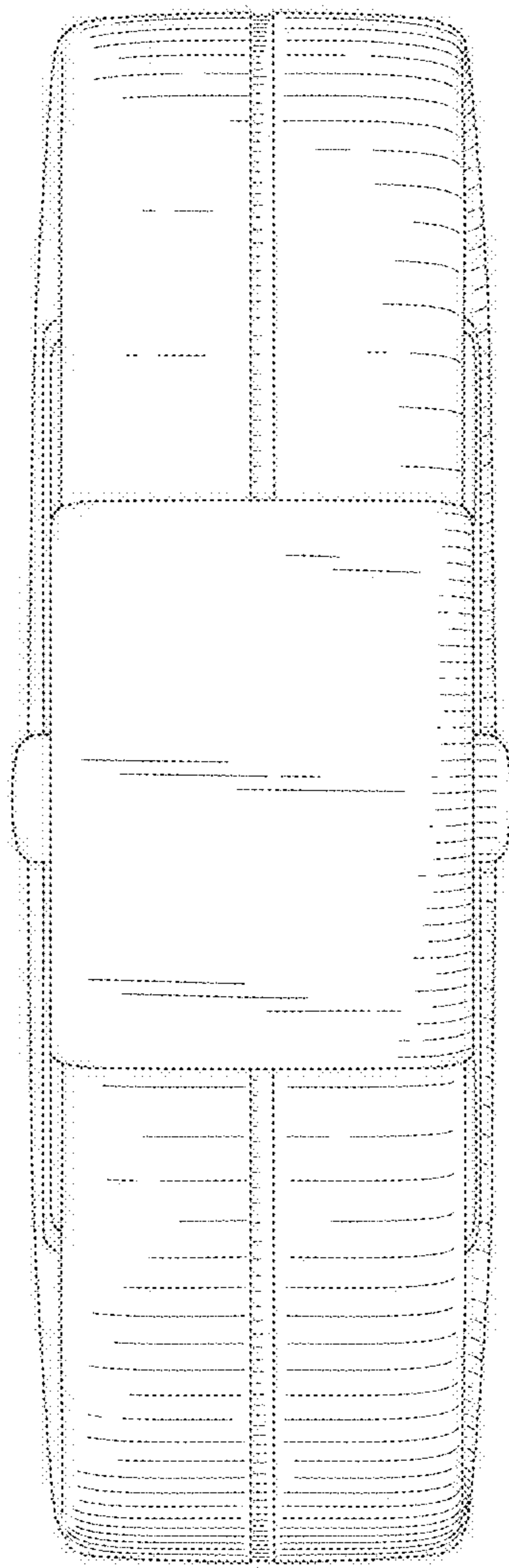


FIG. 2

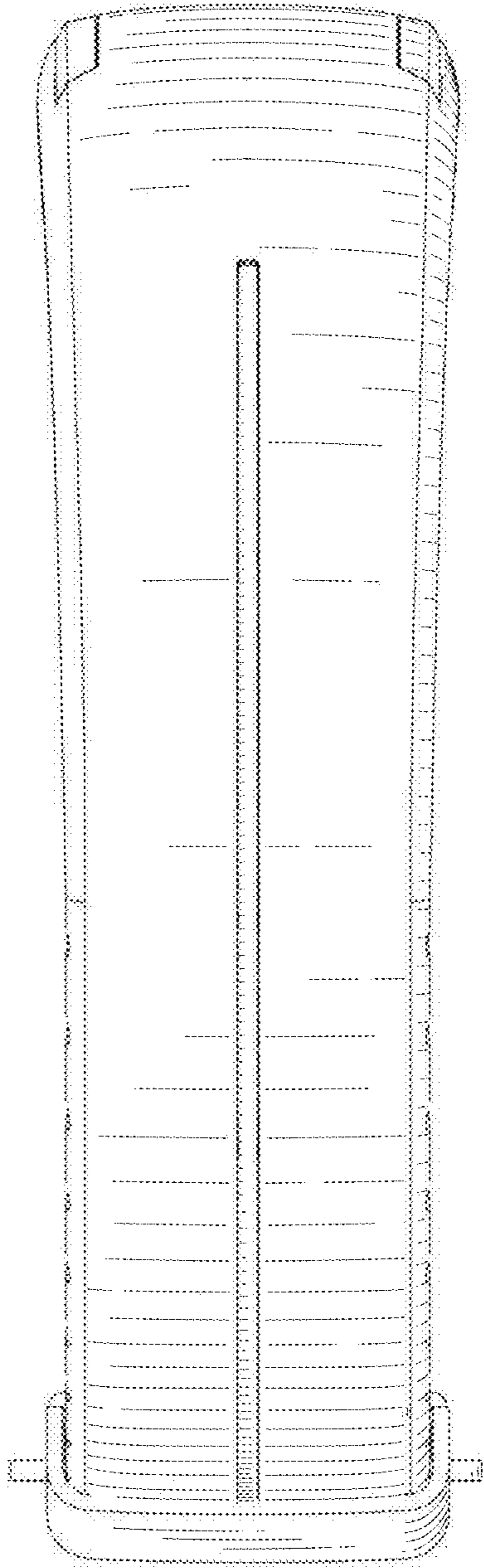


FIG. 3

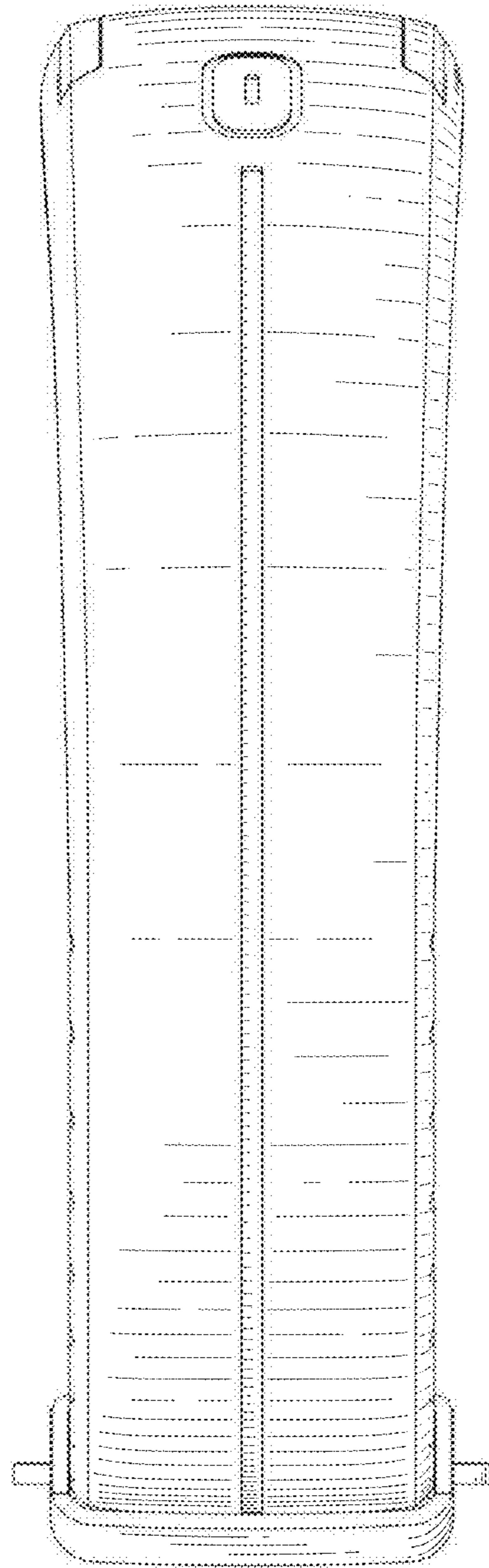


FIG. 4

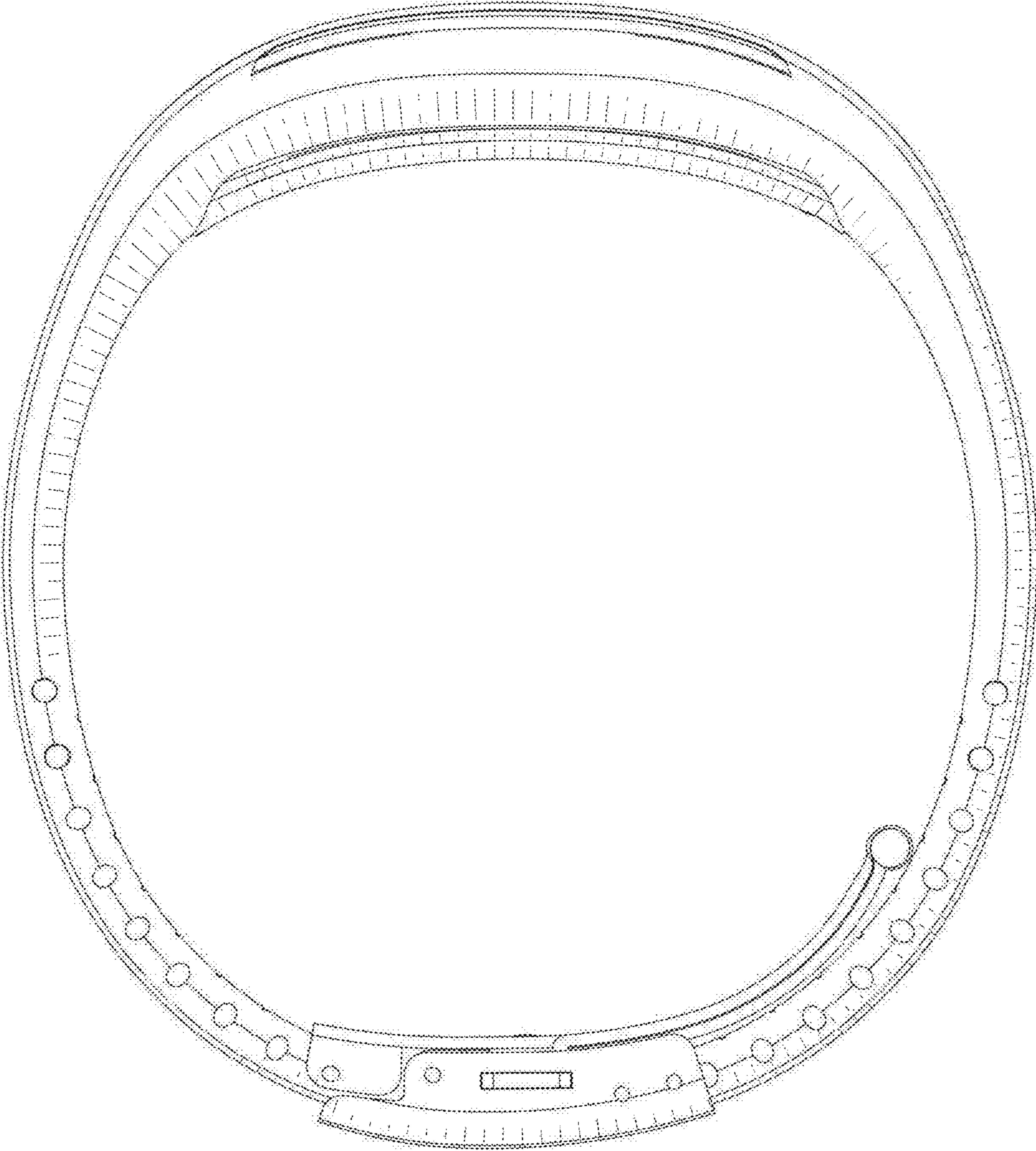


FIG. 5

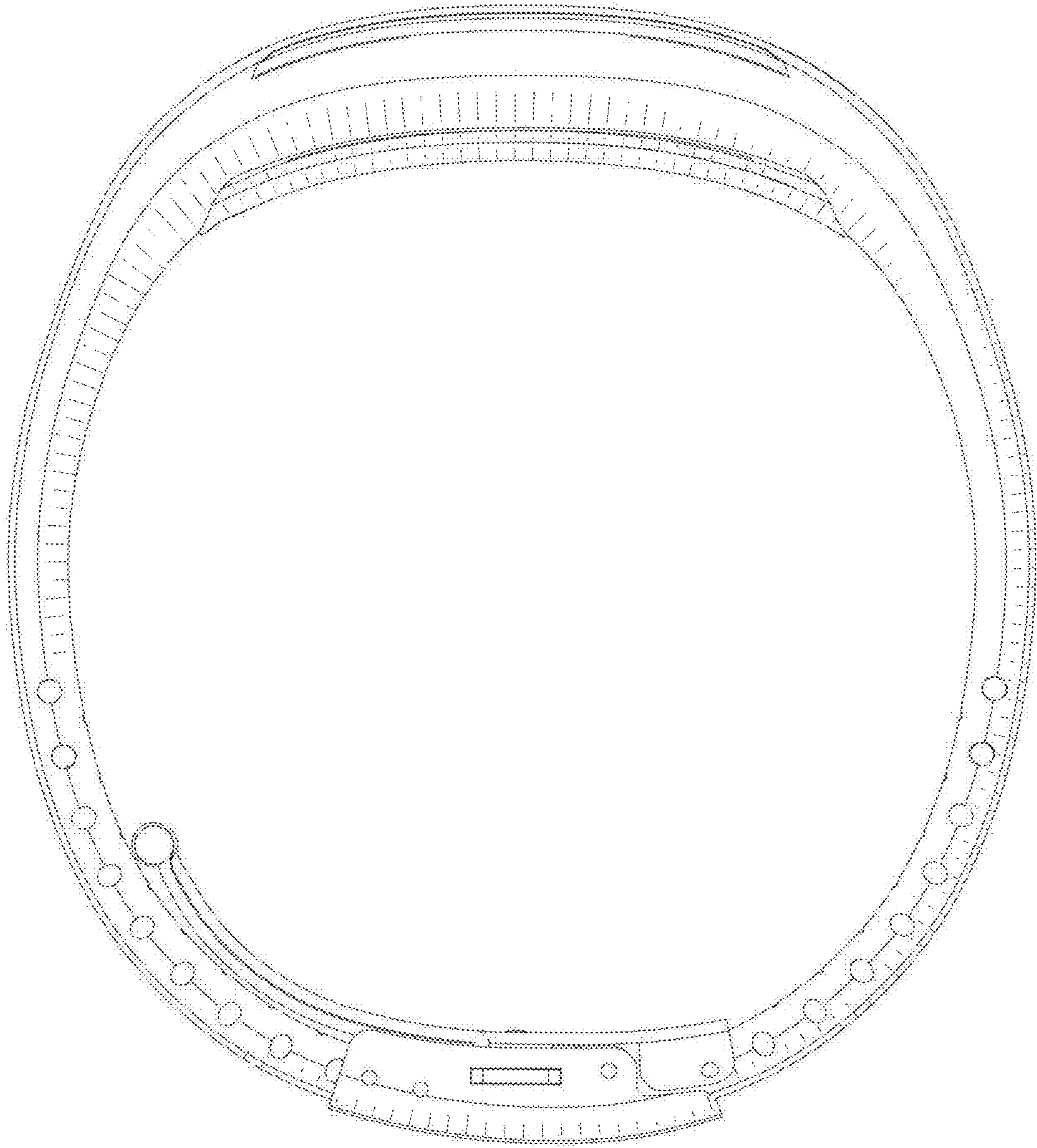


FIG. 6

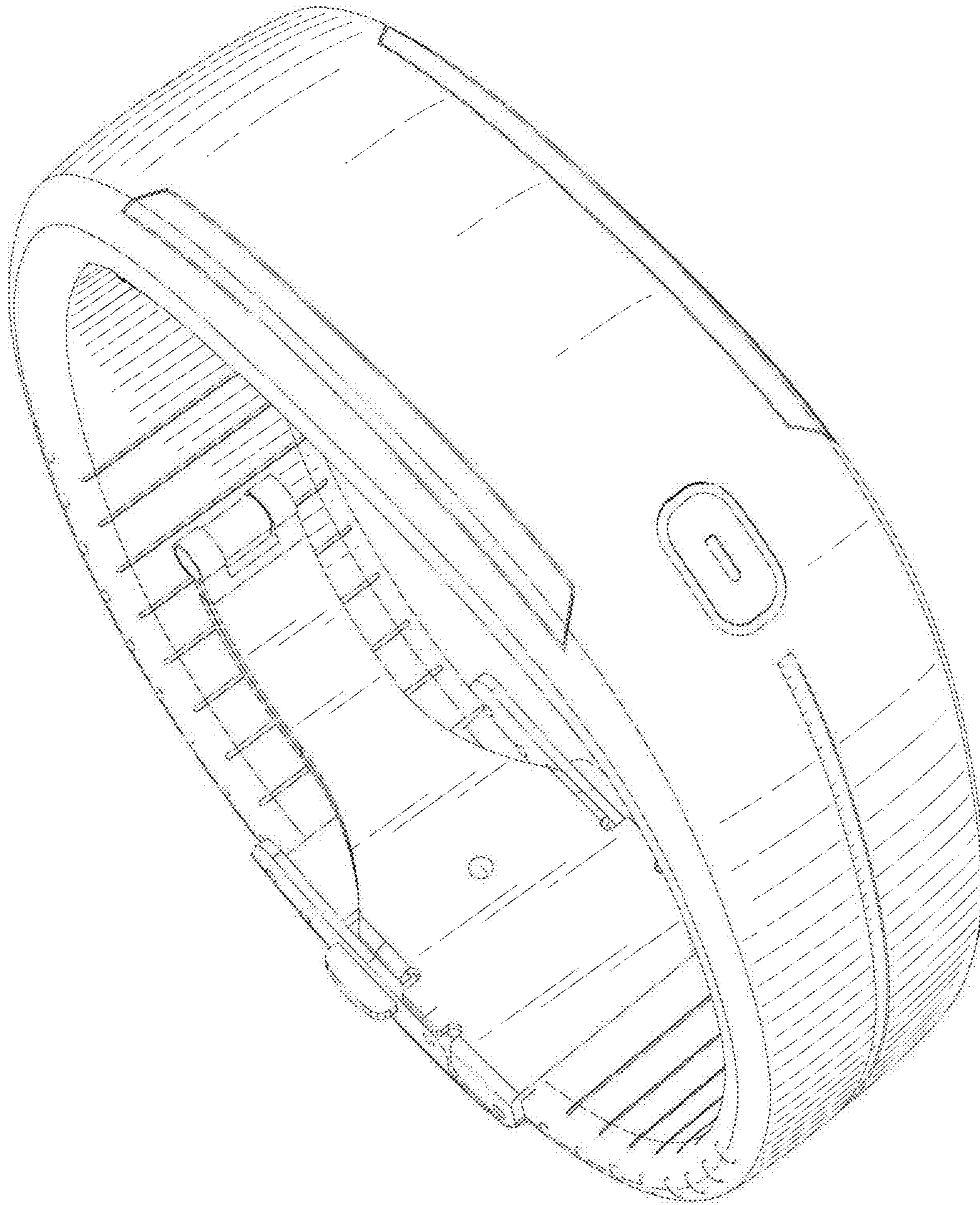


FIG. 7