



US00D781162S

(12) **United States Design Patent**
Wang

(10) **Patent No.:** **US D781,162 S**
(45) **Date of Patent:** **** Mar. 14, 2017**

- (54) **MOISTURE ANALYZER**
- (71) Applicant: **Mettler-Toledo AG**, Greifensee (CH)
- (72) Inventor: **Heqiao Wang**, Shanghai (CN)
- (73) Assignee: **METTLER-TOLEDO GMBH**, Greifensee (CH)
- (**) Term: **15 Years**
- (21) Appl. No.: **29/538,715**
- (22) Filed: **Sep. 8, 2015**
- (51) **LOC (10) Cl.** **10-04**
- (52) **U.S. Cl.**
USPC **D10/56**
- (58) **Field of Classification Search**
USPC D10/56
CPC .. G01N 27/048; G01R 27/121; G01R 27/223;
G01R 27/225
See application file for complete search history.

D438,808 S * 3/2001 Dwertmann D10/81
6,247,246 B1 * 6/2001 Scalese G01N 22/04
219/678
6,320,170 B1 * 11/2001 Jennings G01N 5/045
219/679

* cited by examiner

Primary Examiner — Antoine D Davis
(74) *Attorney, Agent, or Firm* — Standley Law Group
LLP

(57) **CLAIM**

The ornamental design for a moisture analyzer, as shown and described.

DESCRIPTION

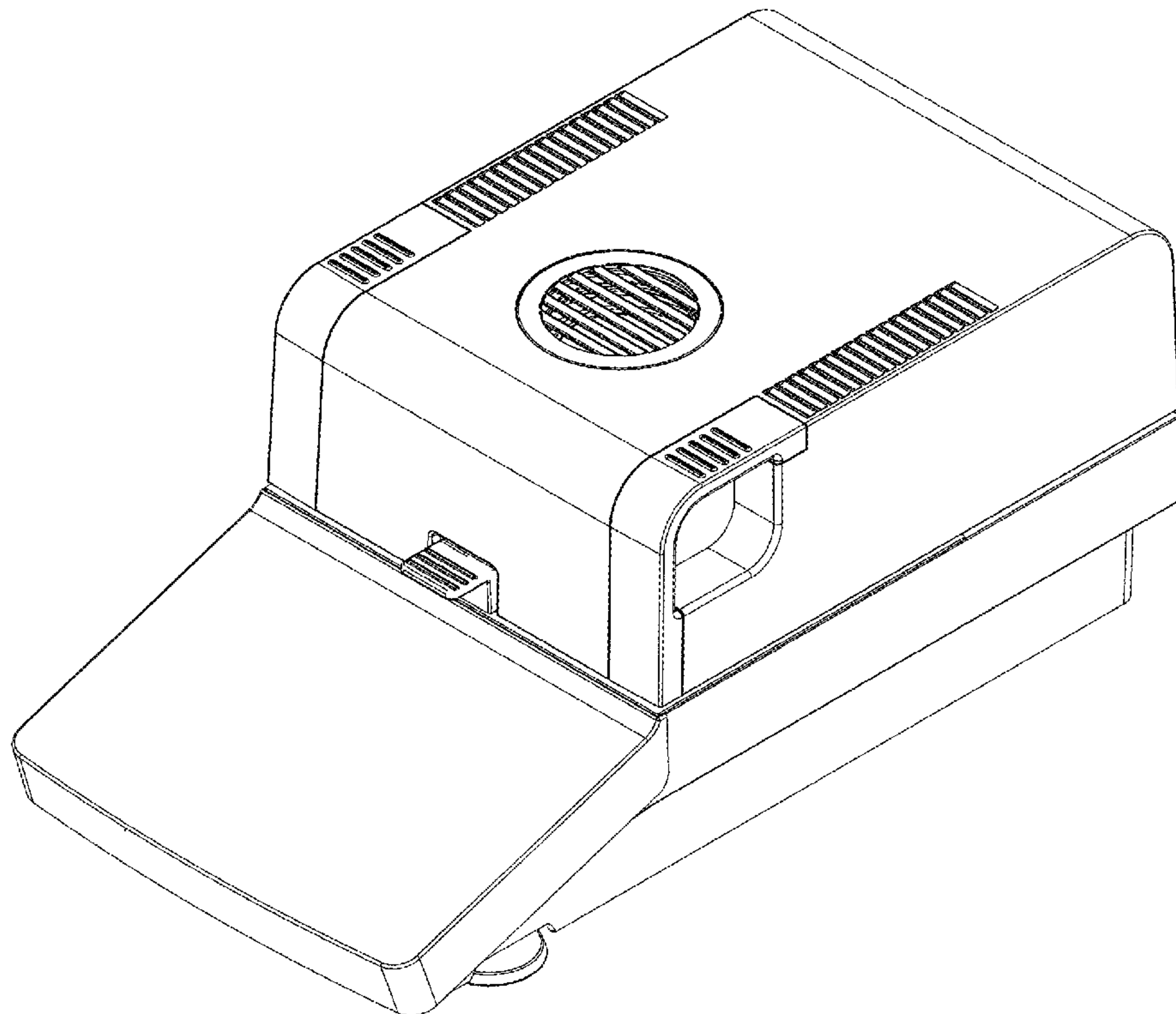
FIG. 1 is a front perspective view of the moisture analyzer; FIG. 2 is a rear elevation view thereof; FIG. 3 is a bottom plan view thereof; FIG. 4 is a left-side elevation view thereof; FIG. 5 is a front elevation view thereof; FIG. 6 is a right-side elevation view thereof; and, FIG. 7 is a top plan view thereof.
The broken line showing of a portion of FIG. 2 is for the purpose of illustrating internal portions of the moisture analyzer and forms no part of the claimed design.

(56) **References Cited**

U.S. PATENT DOCUMENTS

D256,783 S * 9/1980 Moon D10/56
6,092,924 A * 7/2000 Scalese G01N 22/04
333/208

1 Claim, 7 Drawing Sheets



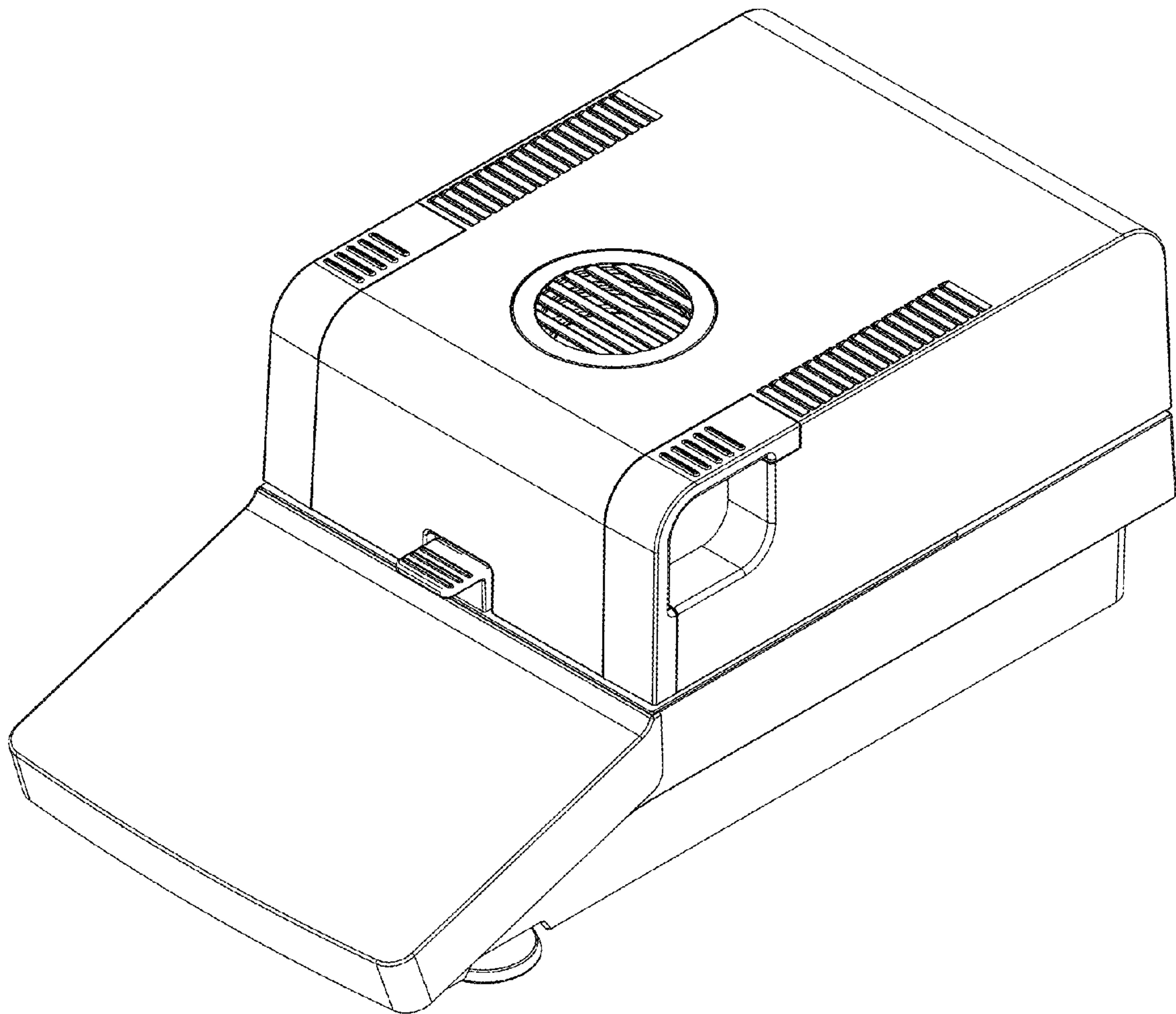


Fig. 1

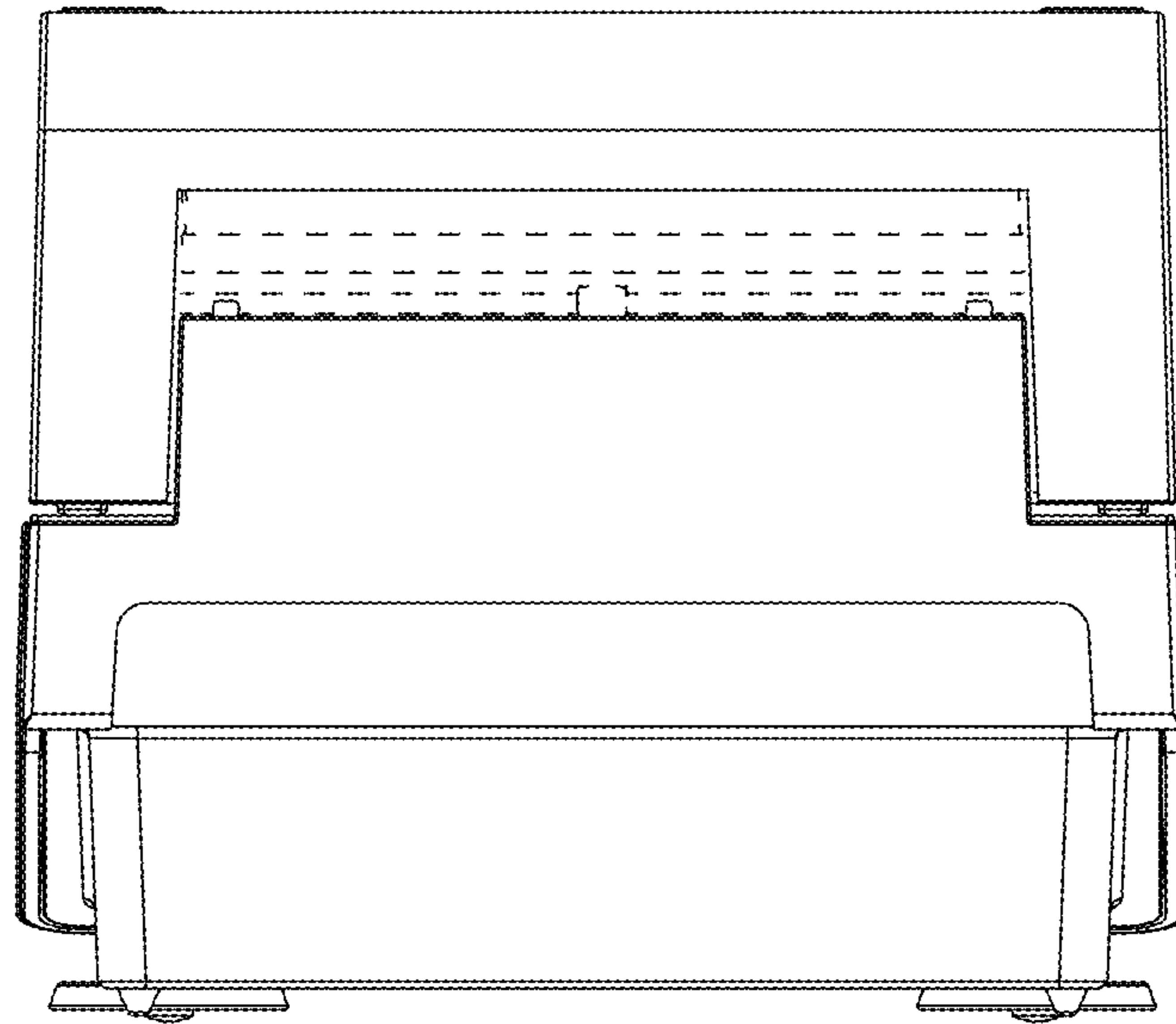


Fig. 2

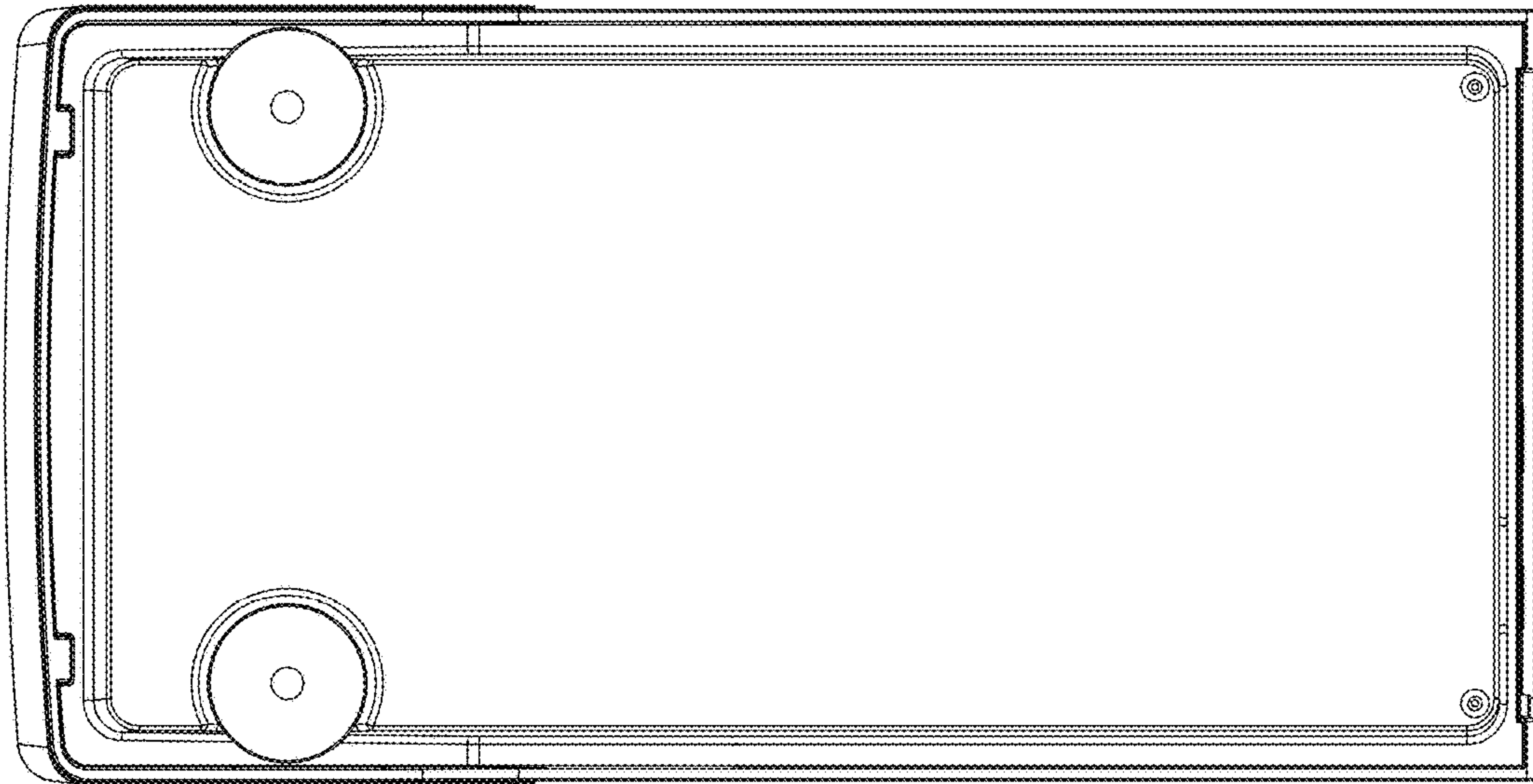


Fig. 3

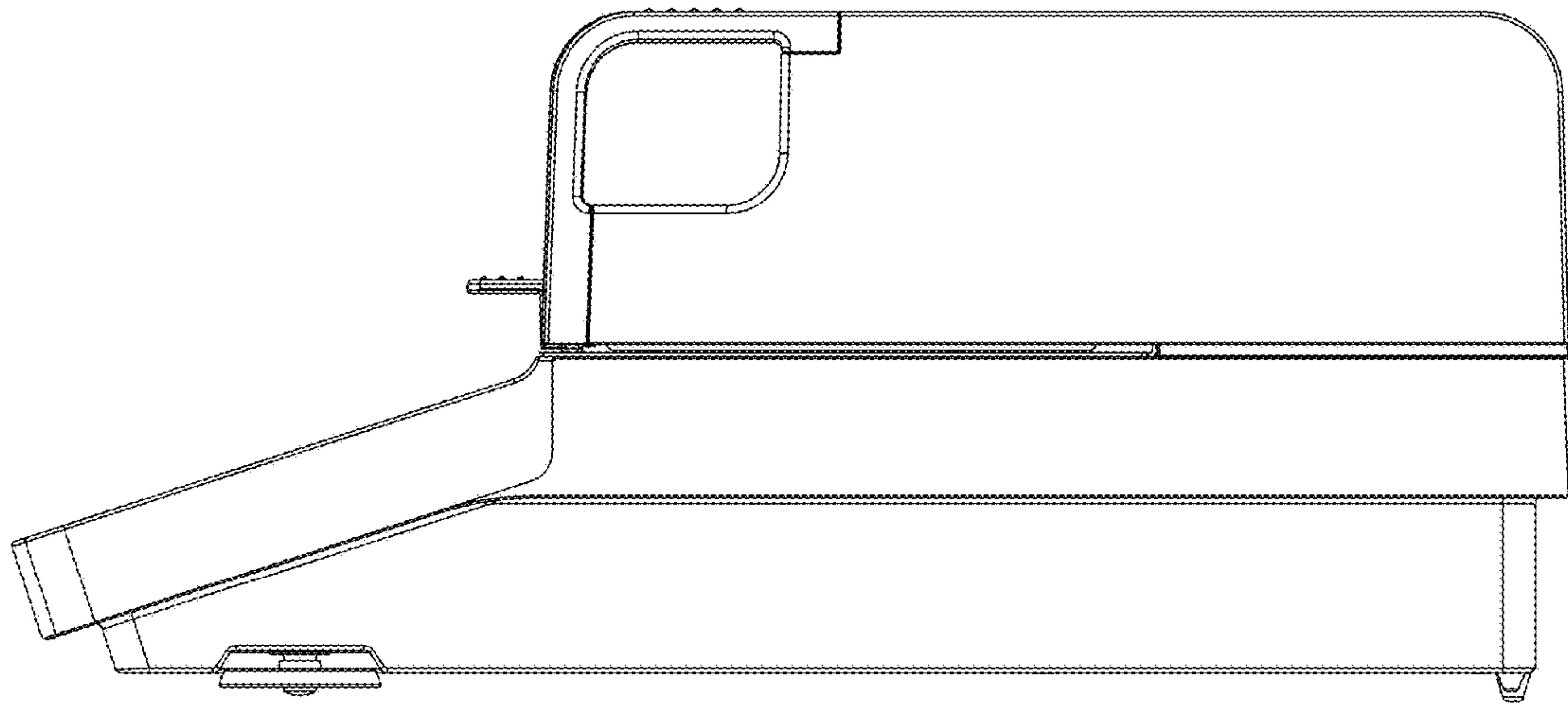


Fig. 4

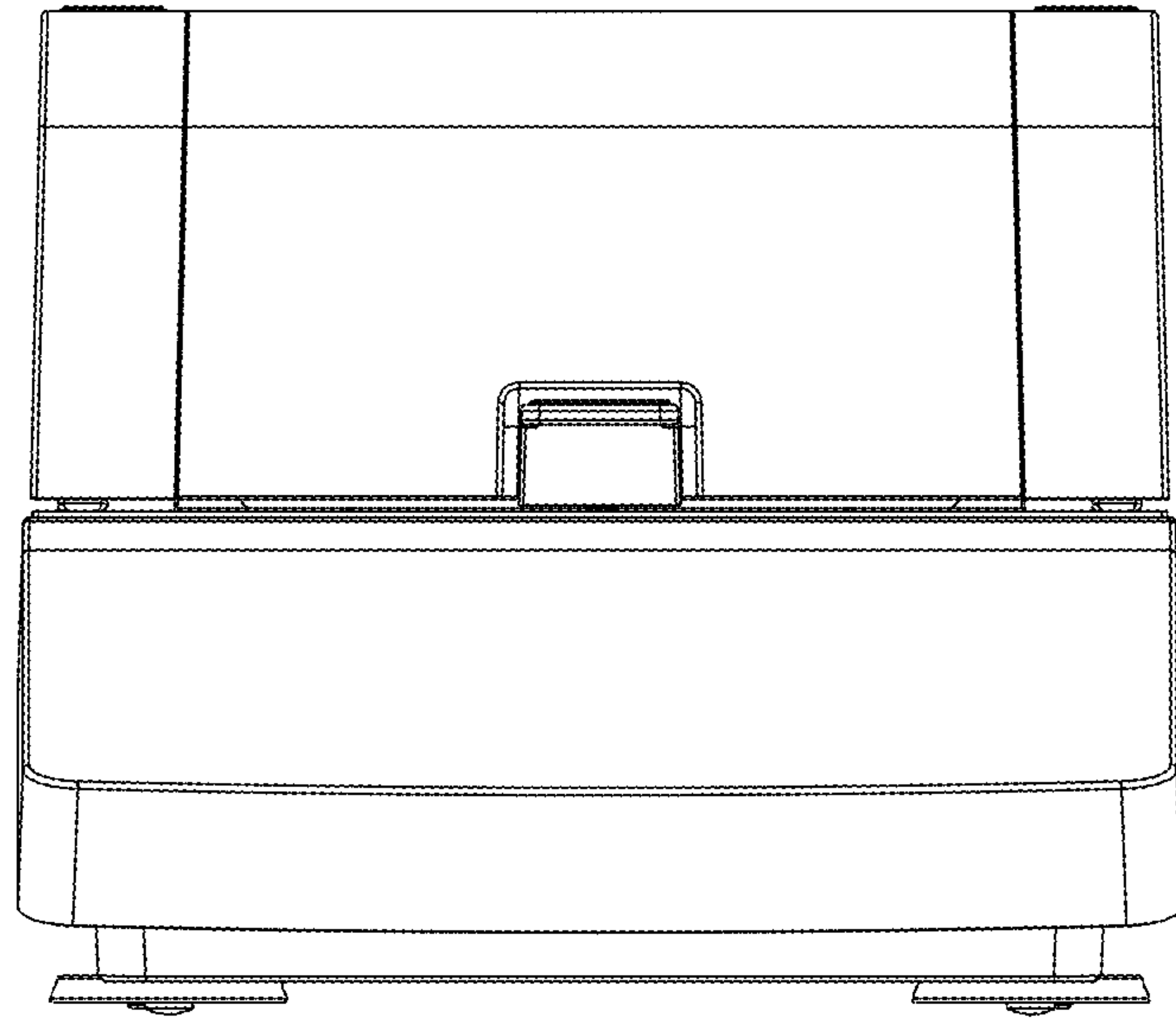


Fig. 5

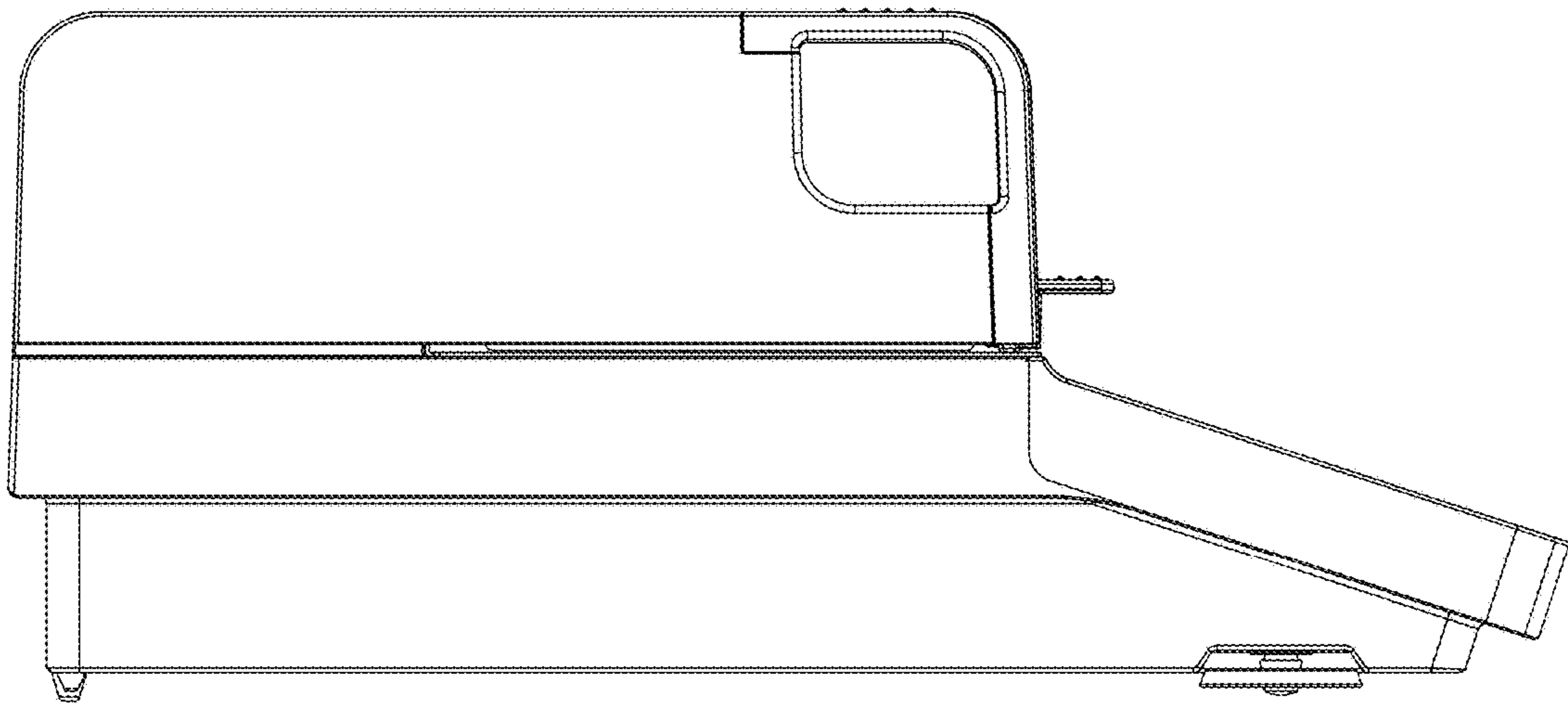


Fig. 6

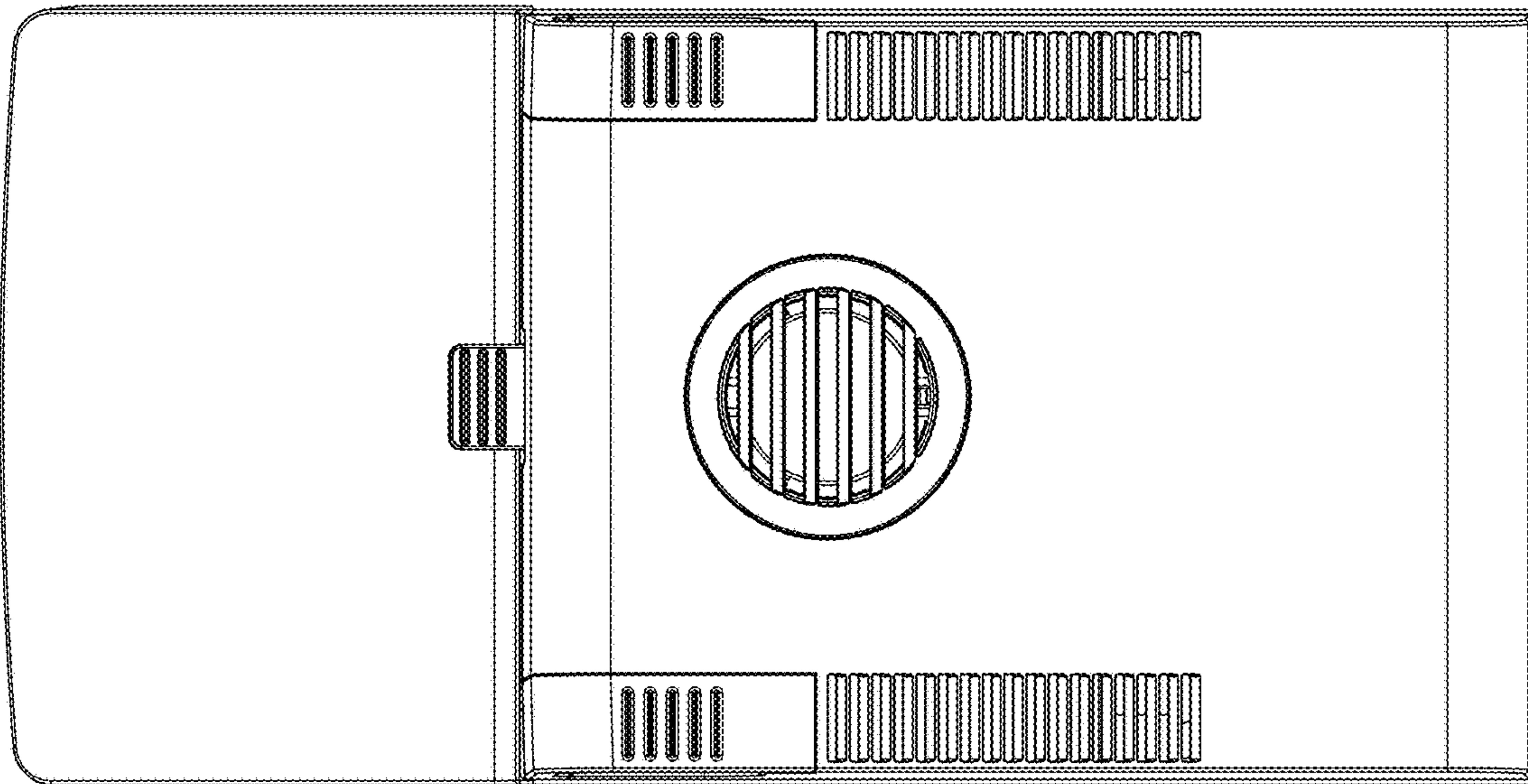


Fig. 7