



US00D781161S

(12) **United States Design Patent**  
**Ni et al.**

(10) **Patent No.:** **US D781,161 S**  
(45) **Date of Patent:** **\*\* Mar. 14, 2017**

(54) **HUMIDITY, LIGHT AND FAN CONTROL PIR OCCUPANCY SENSOR**

(71) Applicant: **Wenzhou MTLC Electric Co., Ltd.**,  
Yueqing, Zhejiang (CN)

(72) Inventors: **Lidong Ni**, Yueqing (CN); **Wei Gao**,  
Zhejiang (CN)

(73) Assignee: **Wenzhou MTLC Electric Appliances Co., LTD**, Yueqing (CN)

(\*\*) Term: **15 Years**

(21) Appl. No.: **29/544,402**

(22) Filed: **Nov. 3, 2015**

**Related U.S. Application Data**

(63) Continuation-in-part of application No. 29/504,904,  
filed on Oct. 10, 2014, now Pat. No. Des. 749,966.

(51) **LOC (10) Cl.** ..... **10-04**

(52) **U.S. Cl.**  
USPC ..... **D10/53; D10/56; D10/70; D10/106.6;**  
**D13/162**

(58) **Field of Classification Search**  
USPC ..... **D10/49, 50, 52, 53, 56, 70, 106.8;**  
**D13/162, 162.1, 177, 184**

(Continued)

(56) **References Cited**

**U.S. PATENT DOCUMENTS**

D490,726 S \* 6/2004 Eungprabhanth ..... D10/49  
7,319,389 B1 \* 1/2008 Mudge ..... G08B 13/00  
340/541

(Continued)

*Primary Examiner* — Antoine D Davis  
(74) *Attorney, Agent, or Firm* — Ziegler IP Law Group,  
LLC

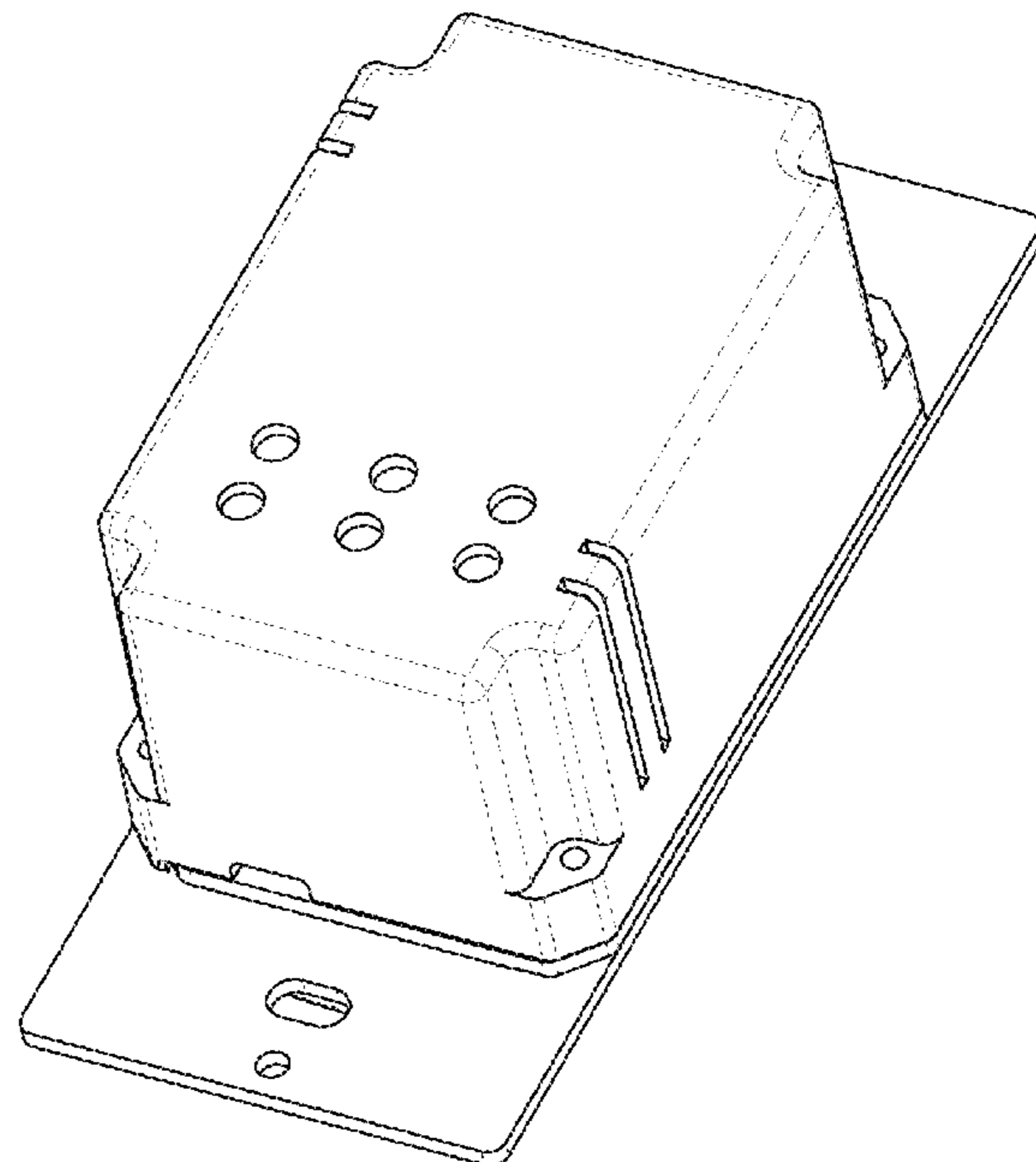
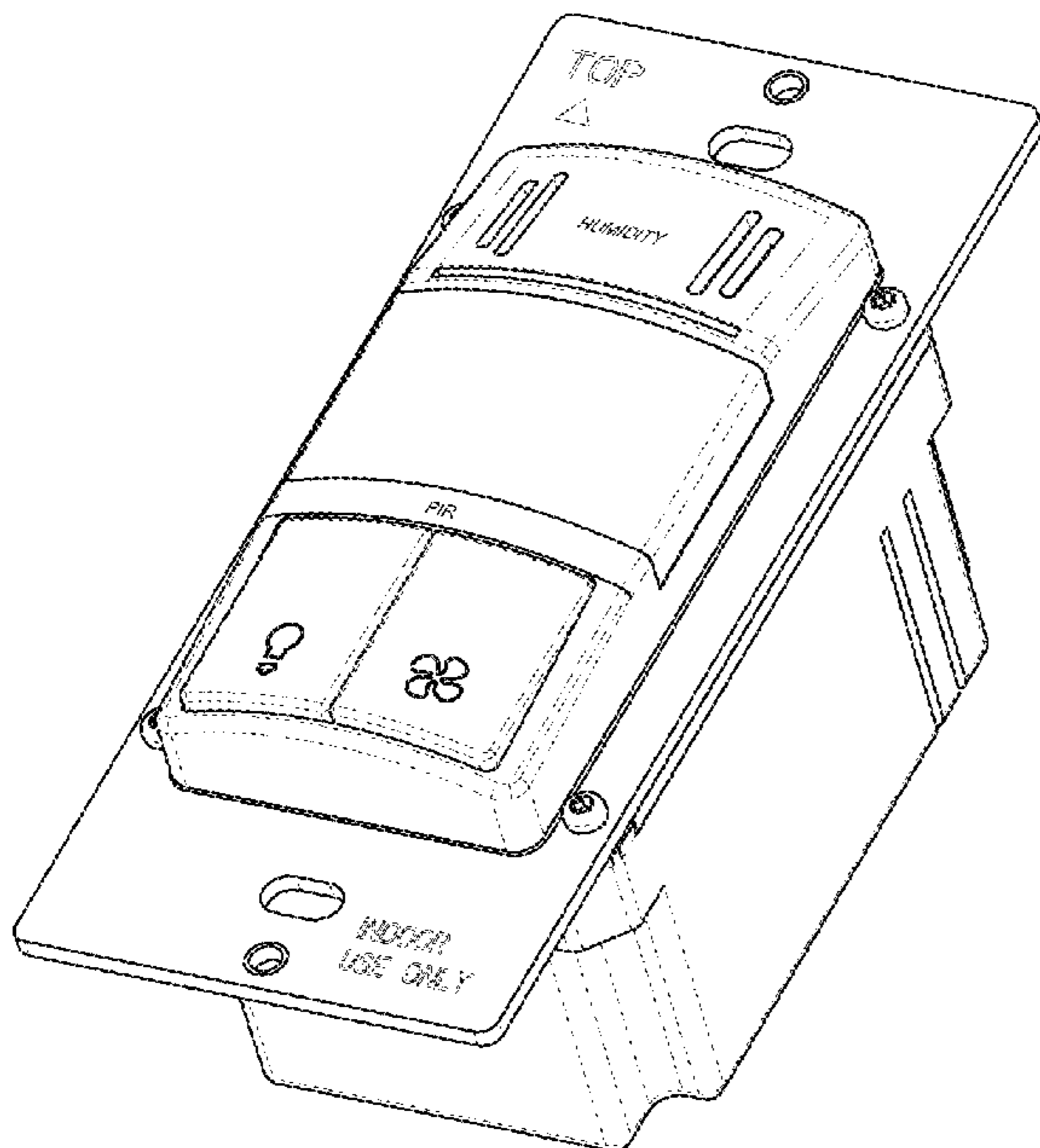
(57) **CLAIM**

The ornamental design for a humidity, light and fan control PIR occupancy sensor, as shown and described.

**DESCRIPTION**

FIG. 1 is a front perspective view of a first embodiment of a humidity, light and fan control PIR occupancy sensor; FIG. 2 is a rear perspective view of the sensor of FIG. 1; FIG. 3 is a front plan view of the sensor of FIG. 1; FIG. 4 is a left side plan view of the sensor of FIG. 1; FIG. 5 is a right side plan view of the sensor of FIG. 1; FIG. 6 is a top view of the sensor of FIG. 1; FIG. 7 is bottom view of the sensor of FIG. 1; FIG. 8 is a back plan view of the sensor of FIG. 1; FIG. 9 is a front perspective view of a second embodiment of a humidity, light and fan control PIR occupancy sensor; FIG. 10 is a rear perspective view of the sensor of FIG. 9; FIG. 11 is a front plan view of the sensor of FIG. 9; FIG. 12 is a left side plan view of sensor of FIG. 9; FIG. 13 is a right side plan view of the sensor of FIG. 9; FIG. 14 is a top view of the sensor of FIG. 9; FIG. 15 is bottom view of the sensor of FIG. 9; and, FIG. 16 is a back plan view of the sensor of FIG. 9. The broken lines are for illustrative purposes only and form no part of the claimed design.

**1 Claim, 16 Drawing Sheets**



(58) **Field of Classification Search**

CPC ..... G01V 8/20; G08B 13/1645; G08B 13/16;  
 G08B 13/1609; G08B 13/1627; G08B  
 13/1618; G08B 13/1636; G08B 13/1654;  
 G08B 13/1663; G08B 13/1672; G08B  
 13/1681; G08B 13/16169; G08B 13/181;  
 G08B 13/183; G08B 13/184

See application file for complete search history.

(56) **References Cited**

U.S. PATENT DOCUMENTS

D565,983	S *	4/2008	Ni	.....	D10/106.8
D565,984	S *	4/2008	Lidong	.....	D10/106.8
D568,182	S *	5/2008	Bray	.....	D10/50
D569,284	S *	5/2008	Ni	.....	D10/106.8
D569,291	S *	5/2008	Ni	.....	D10/106.8
D578,027	S *	10/2008	Bray	.....	D10/50
D580,800	S *	11/2008	Hauk	.....	D10/49
7,480,208	B2 *	1/2009	Bender	.....	G08B 13/1618 340/554
D636,849	S *	4/2011	Yoo	.....	D23/213
D656,849	S *	4/2012	Ni	.....	D10/70
D678,083	S *	3/2013	Breuer	.....	D10/49
D692,331	S *	10/2013	Ni	.....	D10/70
D706,726	S *	6/2014	Mathew	.....	D10/106.8
D706,727	S *	6/2014	Joshi	.....	D10/106.8
D706,729	S *	6/2014	Joshi	.....	D10/106.8
D744,960	S *	12/2015	Branham	.....	D13/162
D749,966	S *	2/2016	Ni	.....	D10/49
2006/0266949	A1 *	11/2006	Bender	.....	G08B 13/1618 250/370.1
2009/0095889	A1 *	4/2009	Bender	.....	G08B 13/1618 250/221
2014/0203664	A1 *	7/2014	Ni	.....	H03K 17/941 307/117

\* cited by examiner

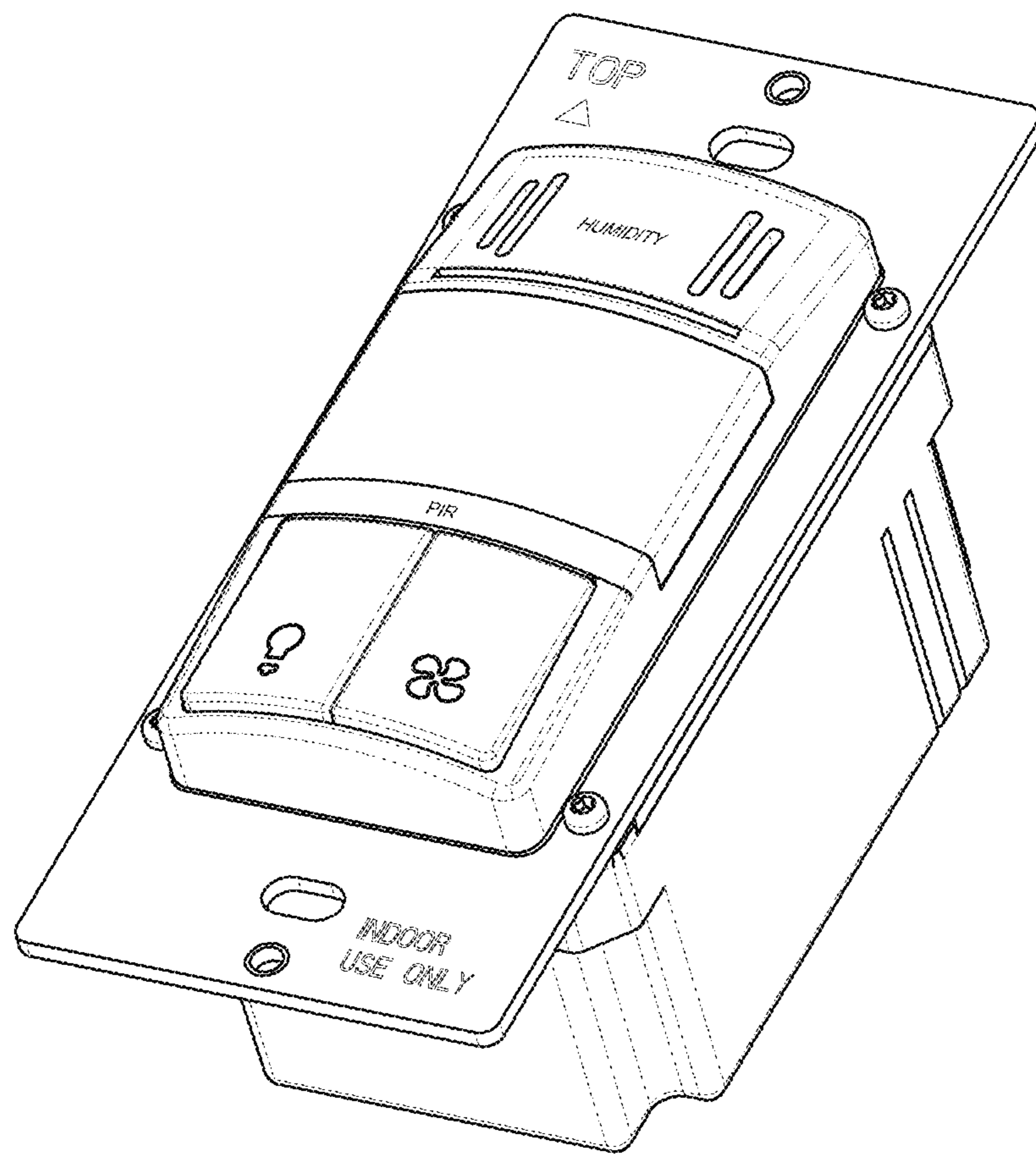


Figure 1

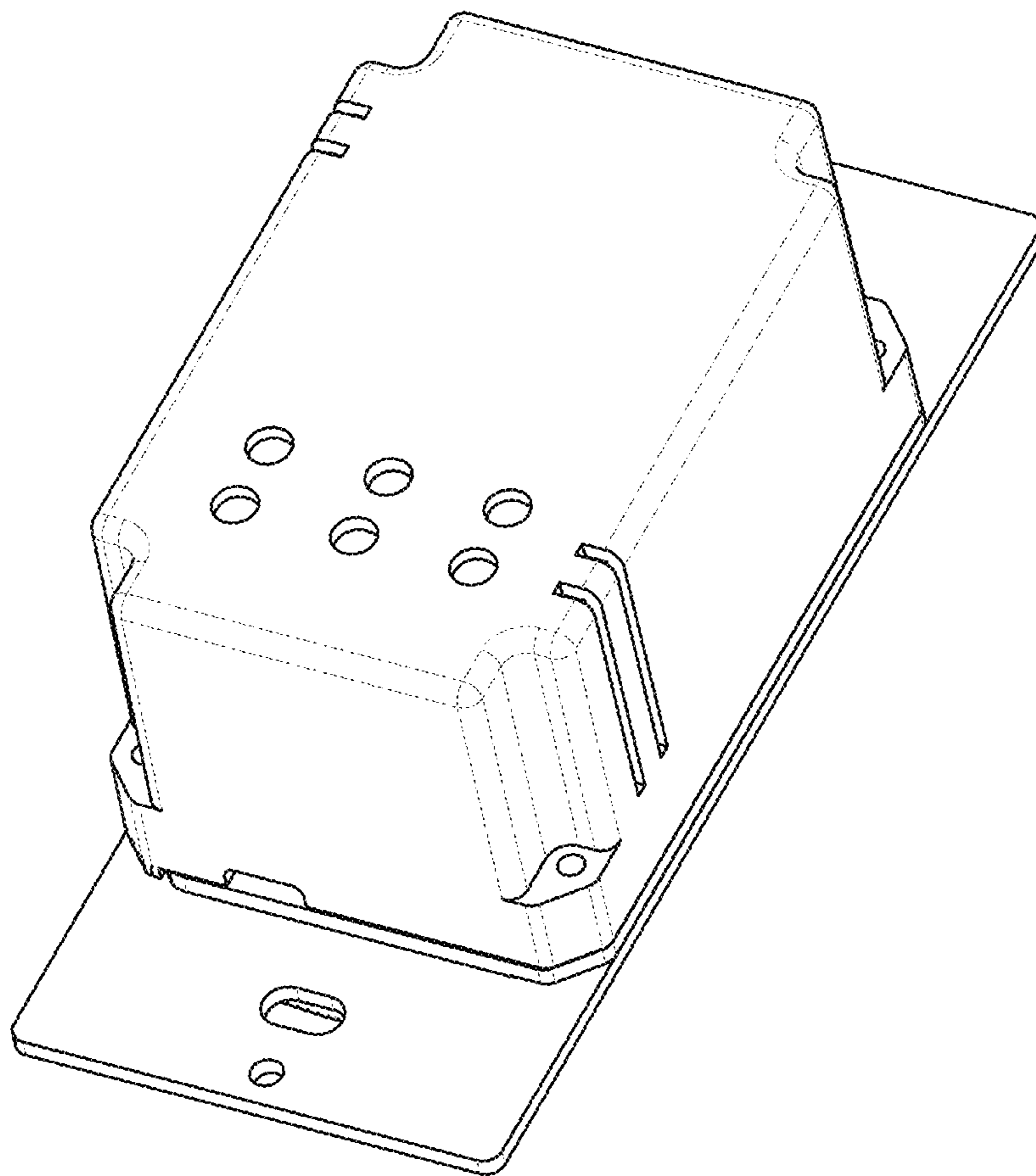


Figure 2

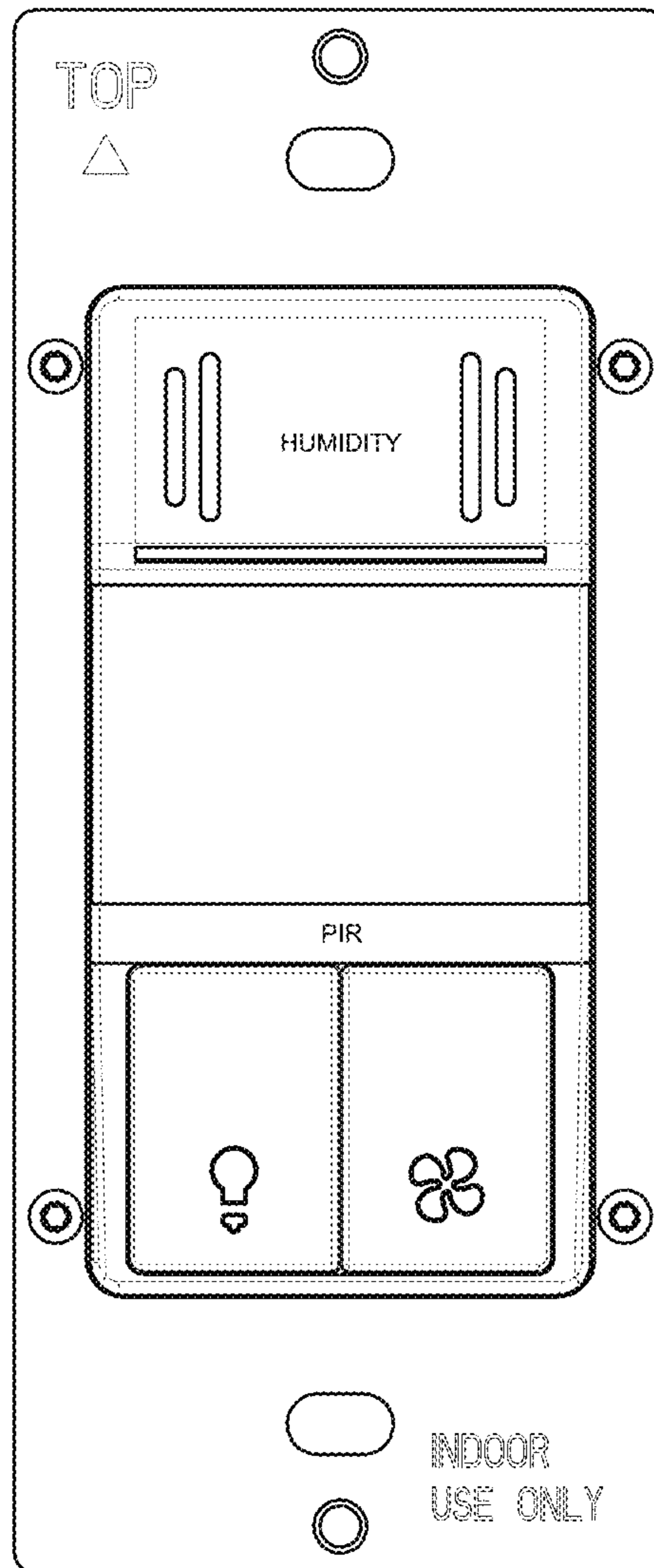


Figure 3

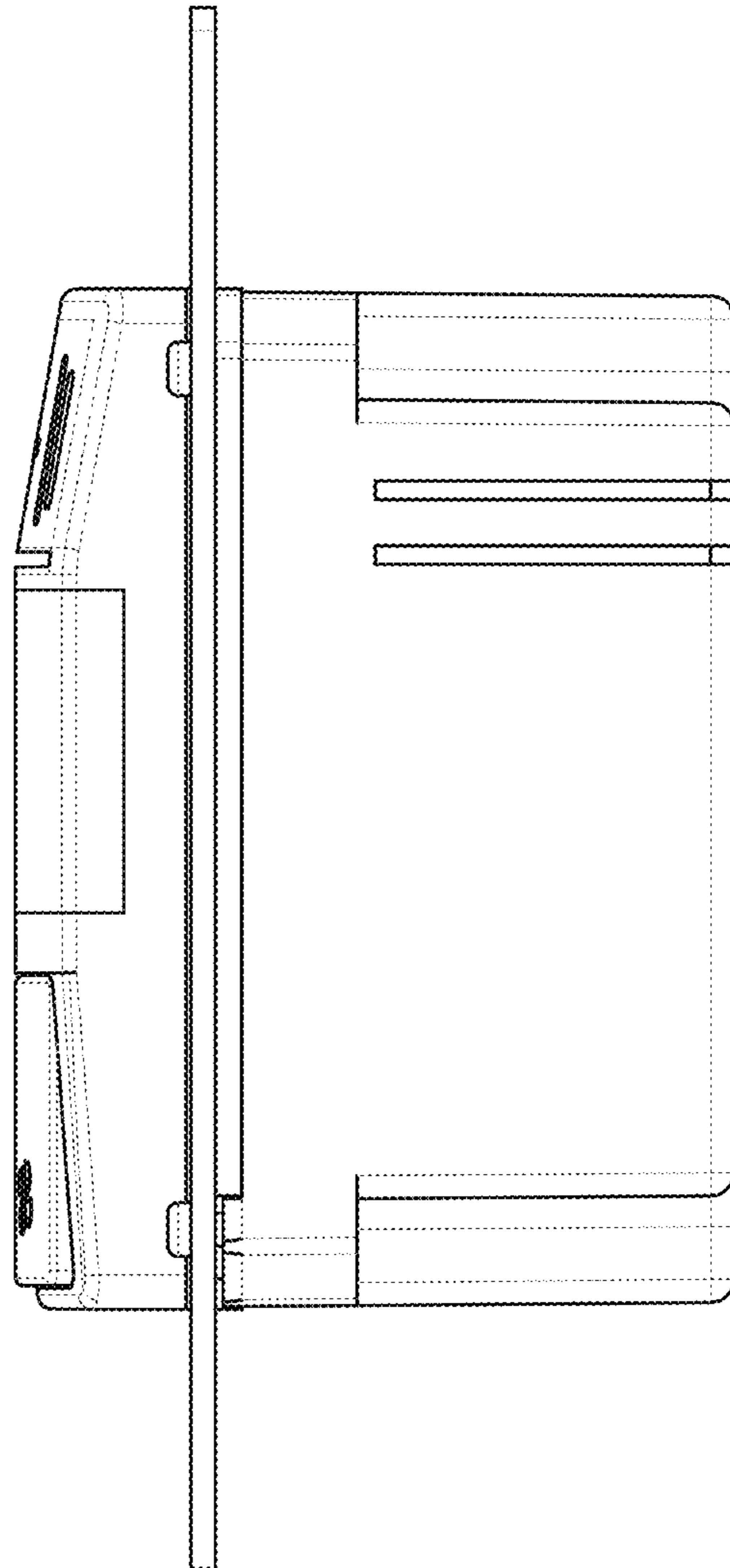


Figure 4

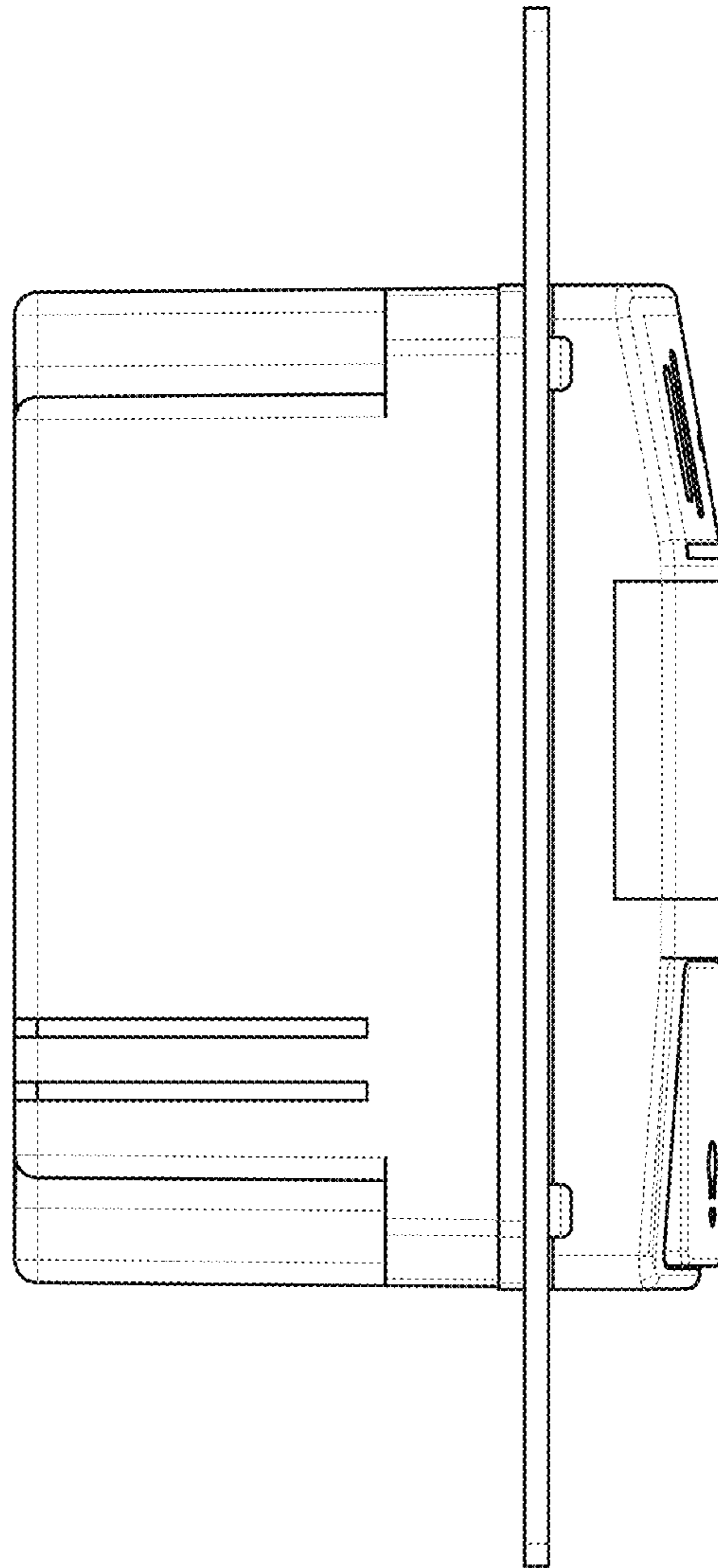


Figure 5

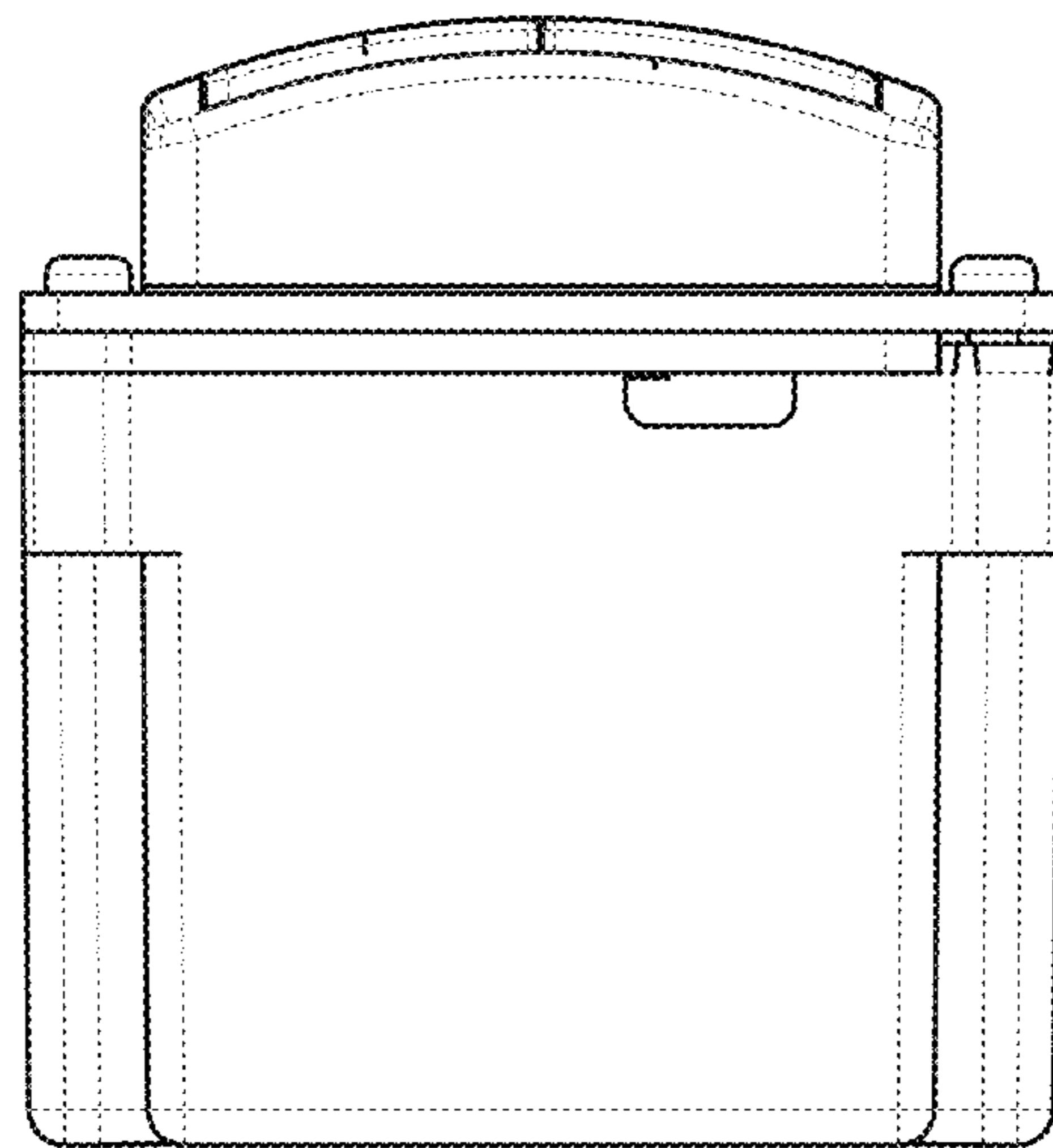


Figure 6



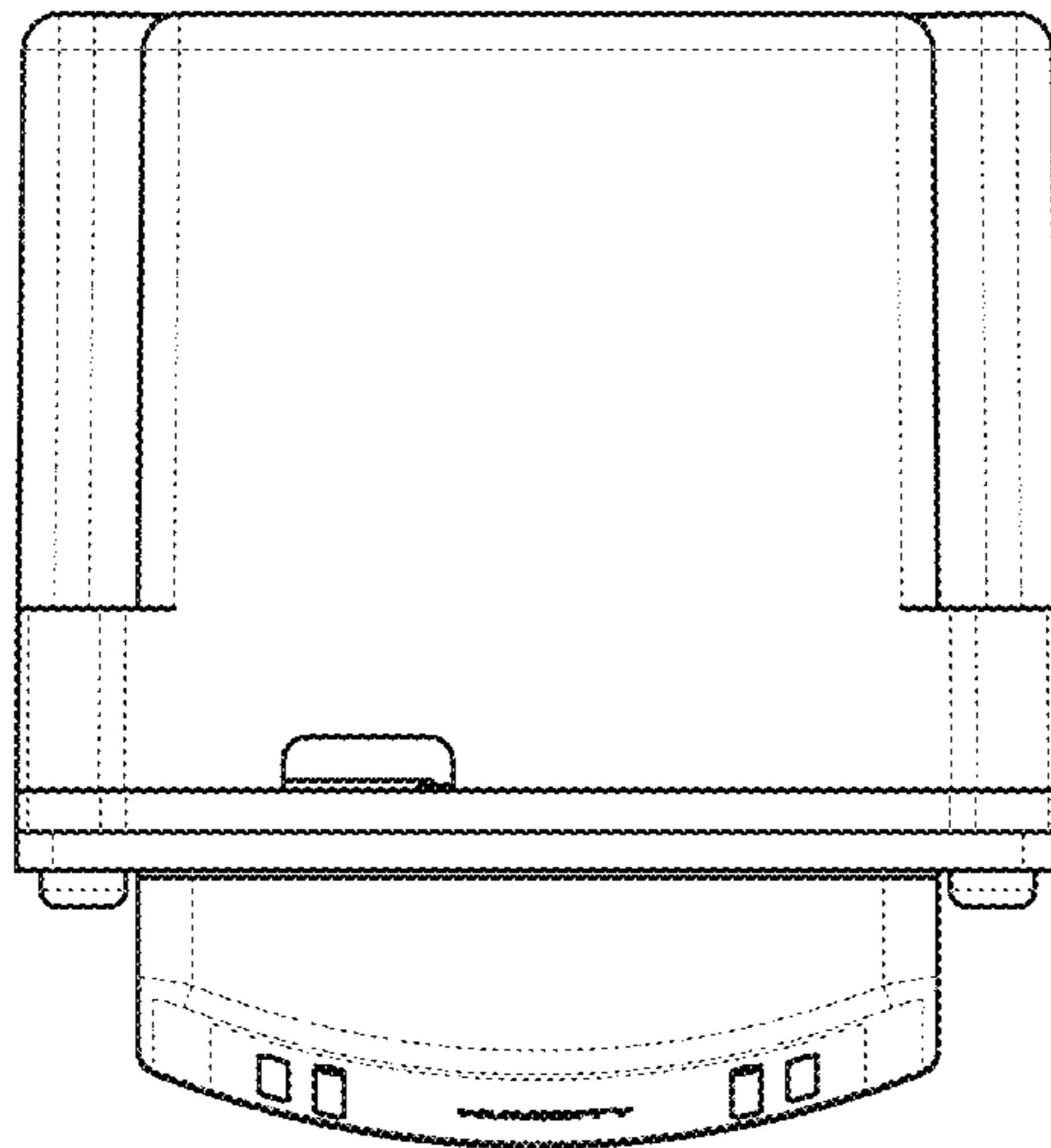


Figure 7

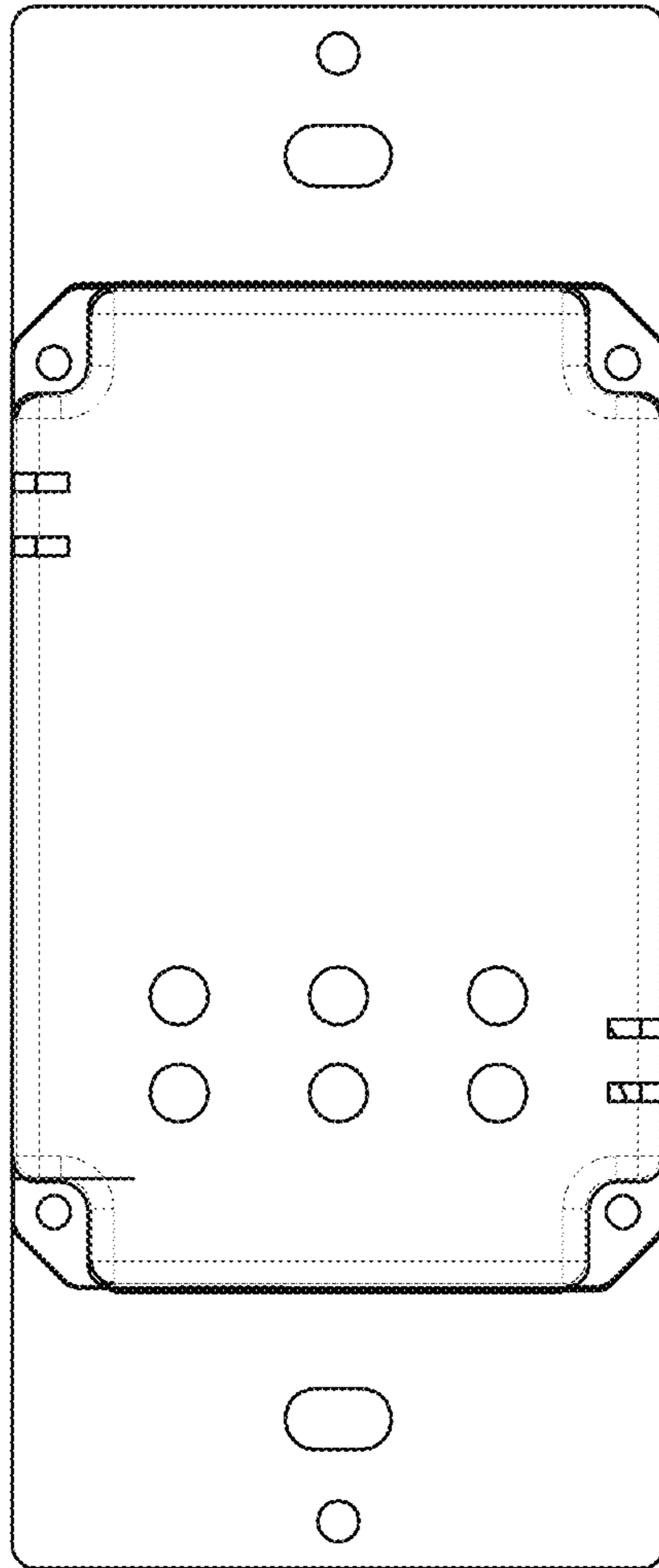


Figure 8

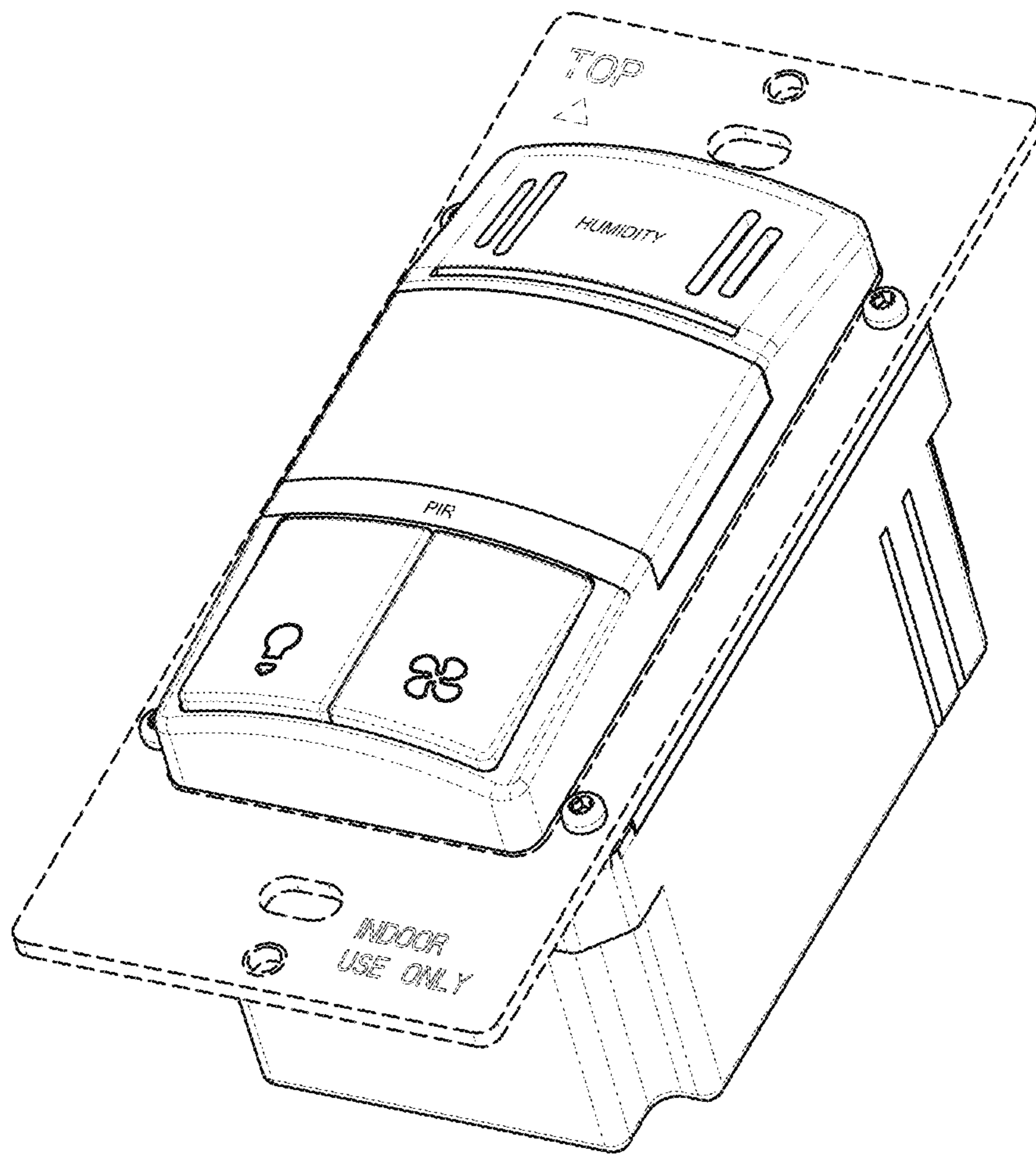


Figure 9

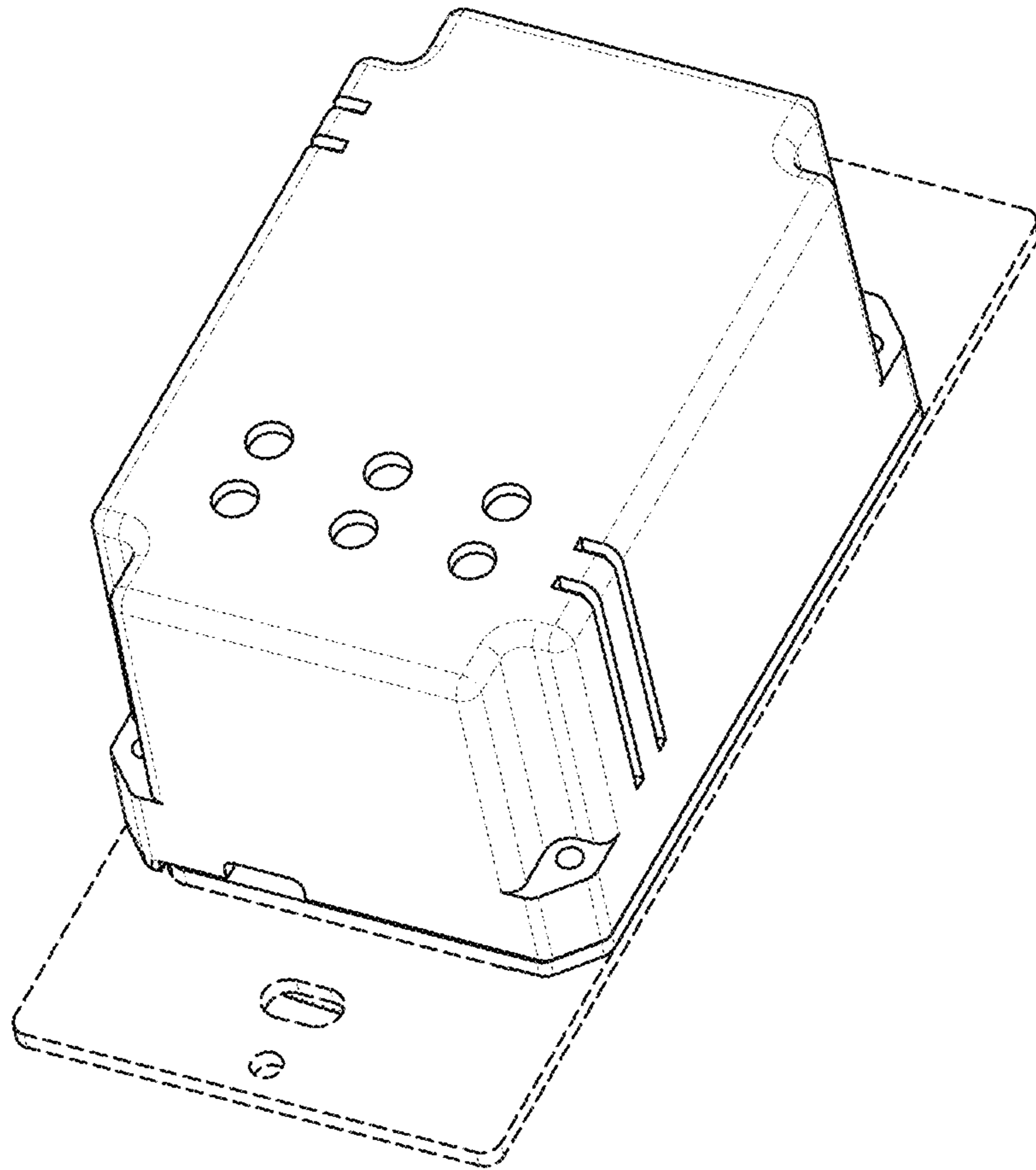


Figure 10

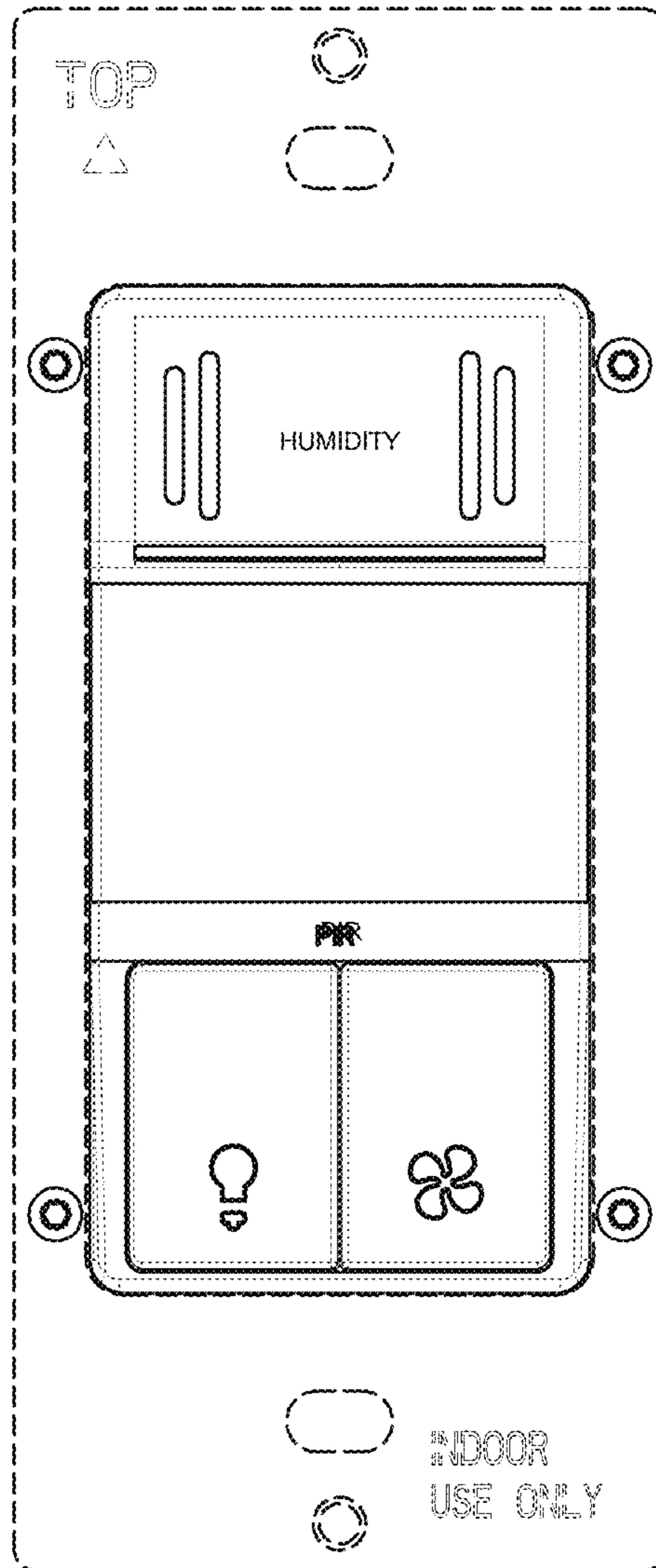


Figure 11

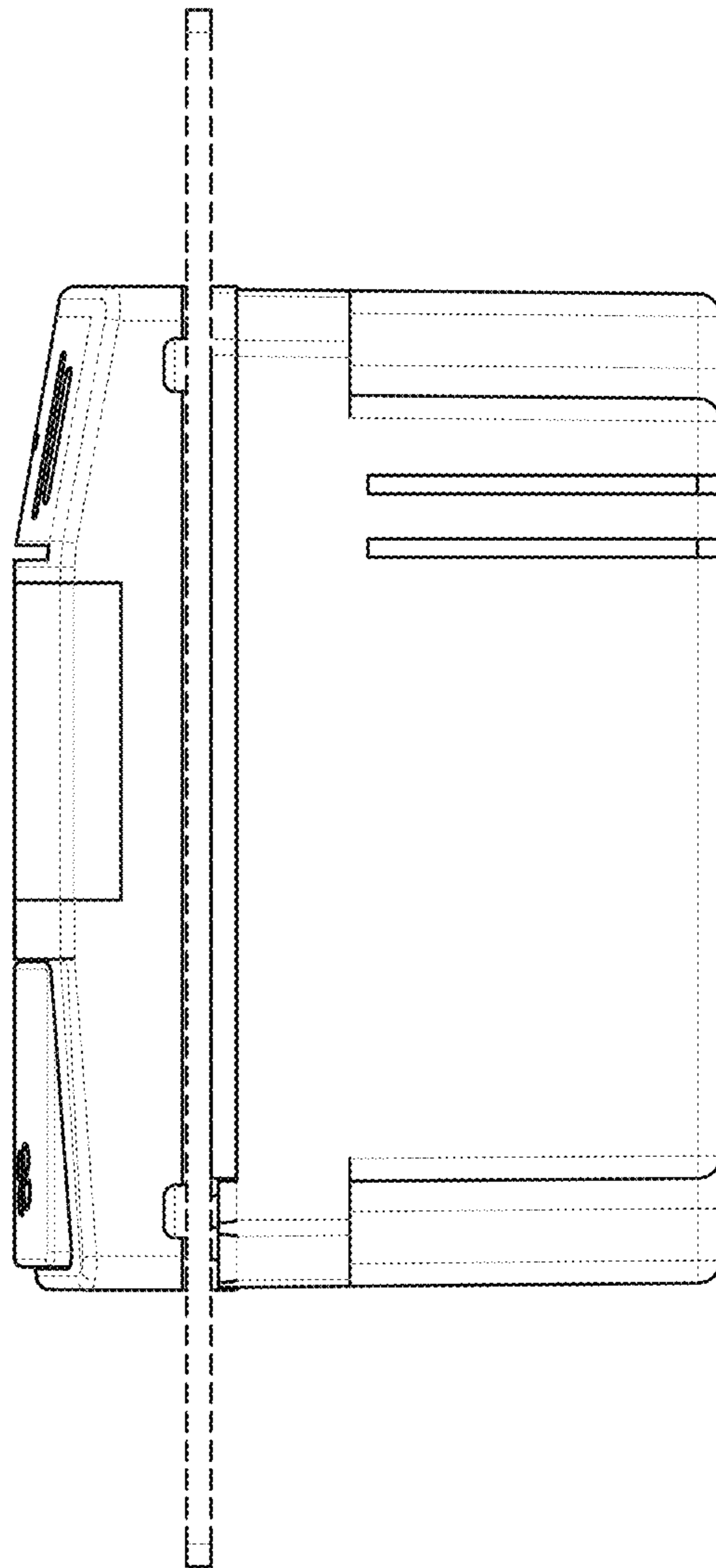


Figure 12

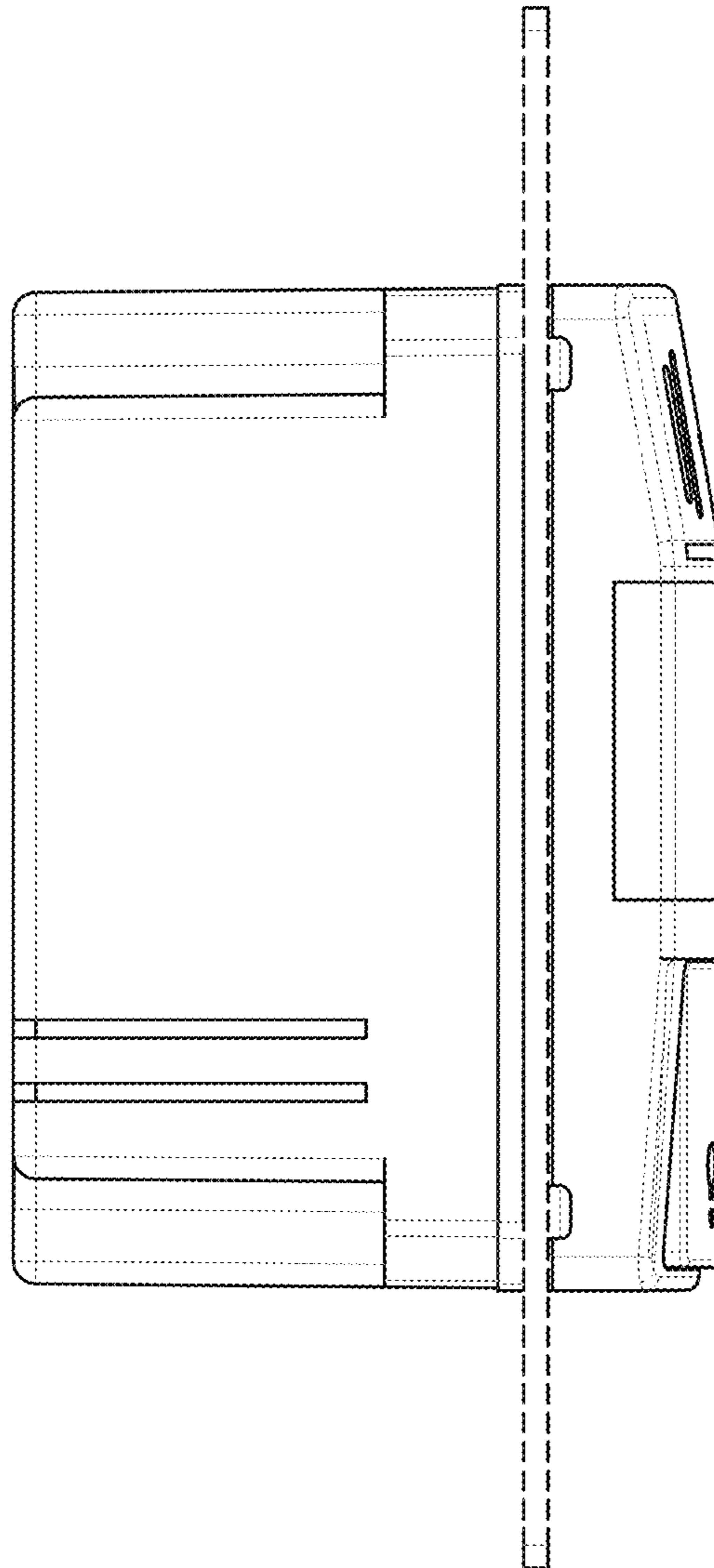


Figure 13

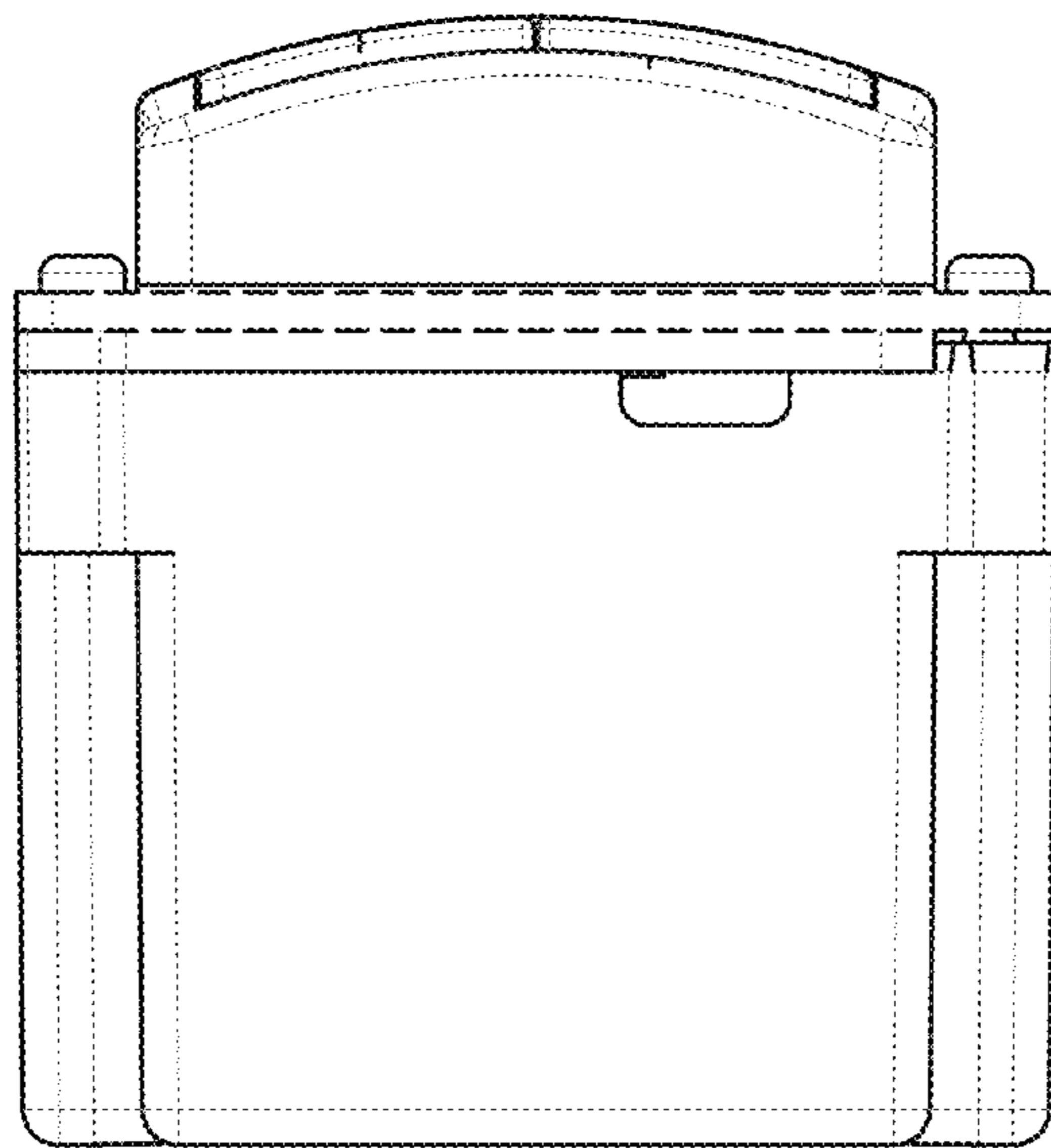


Figure 14



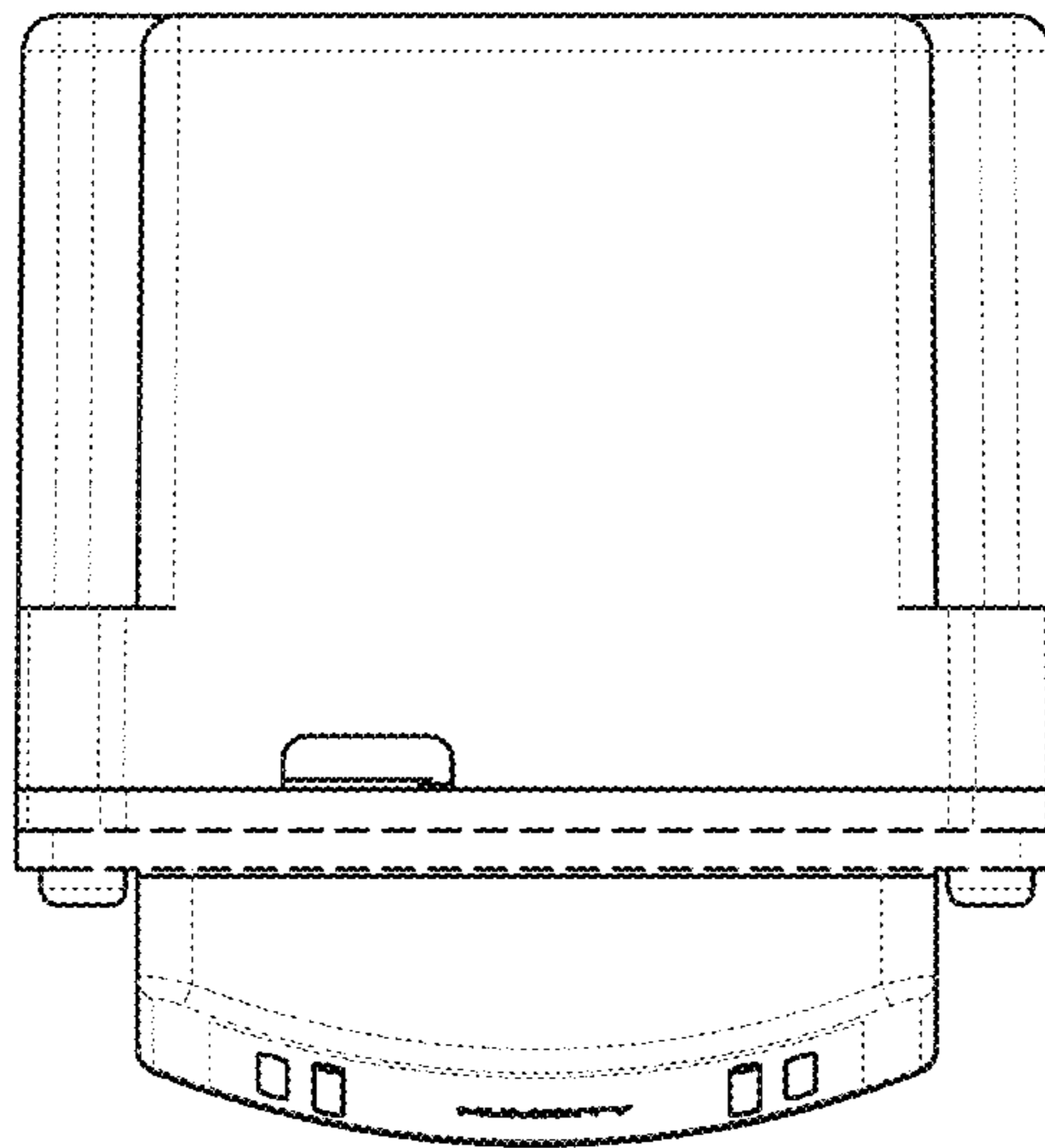


Figure 15

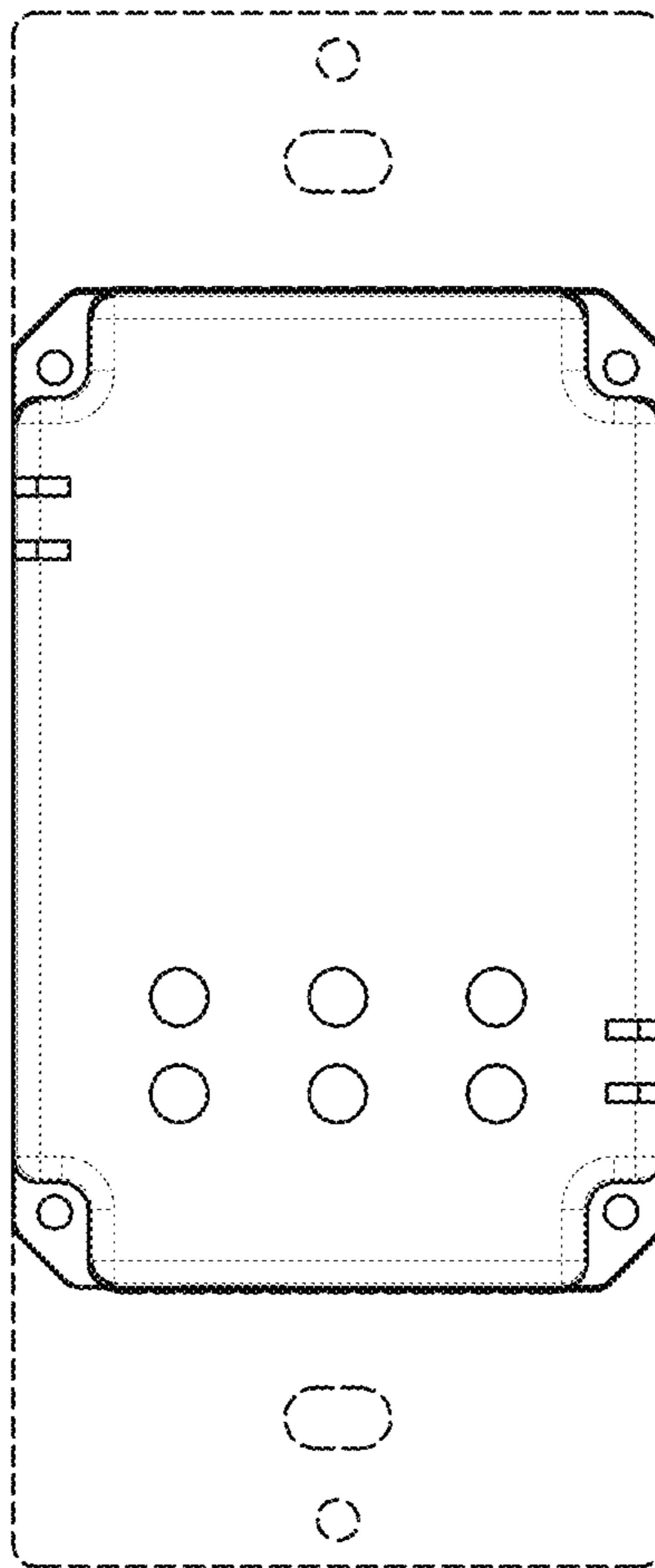


Figure 16