



US00D781160S

(12) **United States Design Patent** (10) **Patent No.:** **US D781,160 S**
Ericksen et al. (45) **Date of Patent:** **** Mar. 14, 2017**

(54) **TIMER**

(71) Applicant: **Orbit Irrigation Products, Inc.**, North Salt Lake, UT (US)

(72) Inventors: **Kent C. Ericksen**, Centerville, UT (US); **Stuart Eyring**, Bountiful, UT (US); **Jeffrey C. Thurgood**, Syracuse, UT (US); **Karl L. Connolly**, Bountiful, UT (US); **Alan T. Ence**, Fruit Heights, UT (US)

(73) Assignee: **Orbit Irrigation Products, Inc.**, North Salt Lake, UT (US)

(**) Term: **14 Years**

(21) Appl. No.: **29/501,896**

(22) Filed: **Sep. 9, 2014**

(51) **LOC (10) Cl.** **10-03**

(52) **U.S. Cl.**
USPC **D10/40**

(58) **Field of Classification Search**
USPC D10/2, 15, 20, 24, 40, 41, 46.1, 47, 50, 51,
D10/60, 74, 126; D16/206, 214, 235,
D16/238, 250

(Continued)

(56) **References Cited**

U.S. PATENT DOCUMENTS

D53,726 S 8/1919 Berge
1,841,369 A 1/1932 Freeman
(Continued)

OTHER PUBLICATIONS

“Orbit Digital Hose Sprinkler Irrigation” First comment: Apr. 25, 2015. Amazon. <http://www.amazon.com/Orbit-Sprinkler-Irrigation-Vacation-Watering/dp/B00UVQBNRC>.*

(Continued)

Primary Examiner — Manpreet Matharu

Assistant Examiner — Suzanne Tisdell

(74) *Attorney, Agent, or Firm* — Austin Rapp & Hardman

(57) **CLAIM**

The ornamental design for a timer, as shown and described.

DESCRIPTION

FIG. 1 is an elevated perspective view of an embodiment of a timer, according to our new design;

FIG. 2 is a front view of the embodiment of the timer shown in FIG. 1;

FIG. 3 is a rear view of the embodiment of the timer shown in FIG. 1;

FIG. 4 is a top view of the embodiment of the timer shown in FIG. 1;

FIG. 5 is a bottom view of the embodiment of the timer shown in FIG. 1;

FIG. 6 is a first side view of the embodiment of the timer shown in FIG. 1;

FIG. 7 is a second side view of the embodiment of the timer shown in FIG. 1;

FIG. 8 is an elevated perspective view of another embodiment of a timer, according to our new design;

FIG. 9 is a front view of the embodiment of the timer shown in FIG. 8;

FIG. 10 is a rear view of the embodiment of the timer shown in FIG. 8;

FIG. 11 is a top view of the embodiment of the timer shown in FIG. 8;

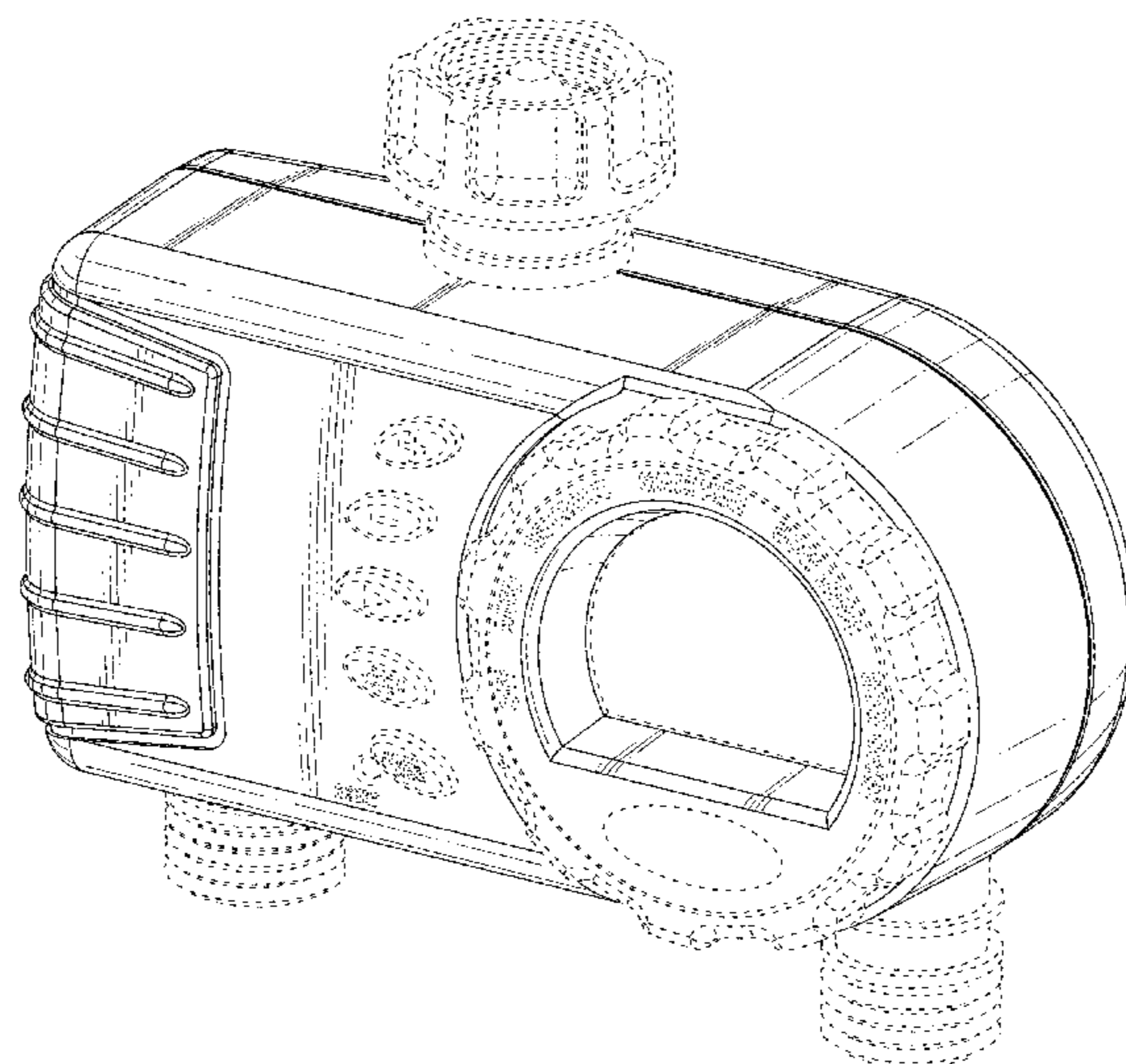
FIG. 12 is a bottom view of the embodiment of the timer shown in FIG. 8;

FIG. 13 is a first side view of the embodiment of the timer shown in FIG. 8; and,

FIG. 14 is a second side view of the embodiment of the timer shown in FIG. 8.

The portions of the figures shown in broken lines are unclaimed. Any empty region surrounded by broken lines is also unclaimed, inclusive of the broken line itself.

1 Claim, 14 Drawing Sheets



(58) **Field of Classification Search**
 CPC B05B 12/02; G01F 11/30; G05D 11/00
 See application file for complete search history.

(56) **References Cited**

U.S. PATENT DOCUMENTS

1,865,965	A	7/1932	Ruiz	
D174,973	S	* 6/1955	Williams et al.	D16/238
D185,885	S	* 8/1959	Kawa et al.	D16/238
D191,294	S	9/1961	Charnota et al.	
3,643,303	A	2/1972	Kanarek	
4,562,865	A	1/1986	Lemkin et al.	
D282,446	S	2/1986	Gremonprez et al.	
D295,778	S	5/1988	Bruninga et al.	
4,807,664	A	2/1989	Wilson et al.	
D309,175	S	7/1990	Hastings et al.	
4,951,204	A	8/1990	Mylne, III	
5,135,168	A	8/1992	Wang	
5,262,936	A	11/1993	Faris et al.	
D365,771	S	1/1996	Clivio	
D386,985	S	12/1997	Cameron	
D388,818	S	1/1998	Bajic et al.	
D400,568	S	11/1998	Jacobi et al.	
D427,085	S	6/2000	Steinhagen	
D450,604	S	11/2001	Stekelenburg	
D452,695	S	1/2002	Miller	
D467,187	S	12/2002	Clivio	
D467,821	S	12/2002	Ogawa	
D476,240	S	6/2003	Kuramochi et al.	
D485,502	S	1/2004	Clivio	
D507,243	S	7/2005	Miller	
D523,888	S	* 6/2006	Funakoshi	D16/202
7,225,057	B2	5/2007	Froman et al.	
7,252,113	B2	8/2007	Jacobs et al.	
D559,708	S	* 1/2008	Michael	D10/40
D567,681	S	* 4/2008	Michael	D10/40
7,404,415	B2	7/2008	Jacobs et al.	
D582,797	S	12/2008	Fraser et al.	
D604,183	S	* 11/2009	Zore	D10/40
D636,278	S	4/2011	Franchini	
D643,755	S	8/2011	Nies et al.	
D647,411	S	10/2011	Barton et al.	
D657,263	S	4/2012	Nies et al.	
D657,264	S	4/2012	Nies et al.	
8,160,750	B2	4/2012	Weiler	
D658,519	S	5/2012	Connolly et al.	
D659,029	S	5/2012	Connolly et al.	
8,251,300	B2	8/2012	Wilson	
D679,259	S	4/2013	Franchini	
D679,260	S	4/2013	Franchini	
D682,714	S	5/2013	Barton et al.	
D682,715	S	* 5/2013	Wang	D10/122
D713,271	S	9/2014	Ericksen et al.	
D720,431	S	* 12/2014	Michael	D10/40
D722,895	S	* 2/2015	Chandran	D10/40
D734,180	S	* 7/2015	Benichou	D10/50
D736,104	S	8/2015	Ericksen et al.	
D750,506	S	3/2016	Ericksen et al.	
D750,977	S	3/2016	Ericksen et al.	
D770,311	S	11/2016	Ericksen et al.	
2006/0011243	A1	1/2006	Jacobs et al.	
2009/0001193	A1	1/2009	Parsons et al.	
2010/0230510	A1	9/2010	Wilson	

OTHER PUBLICATIONS

“Orbit Digital Hose Sprinkler Irrigation” First comment: May 19, 2015. Amazon. http://www.amazon.com/Orbit-Sprinkler-Irrigation-Vacation-Watering/dp/B00VU01T90/ref=cm_cr_ar_p_d_product_top?ie=UTF8.*

“Orbit 2 Station Digital Tap Timer” Accessed: Apr. 21, 2016. Smart Water. <https://smartwatershop.com.au/product/orbit-2-station-digital-tap-timer/orbit-2-station-digital-tap-timer>.*

The products shown in Attachment A hereto were sold or offered for sale by Orbit Irrigation Products, Inc., on or before Nov. 2008.

The product(s) shown in Attachment B were privately or publicly sold or offered for sale by Orbit Irrigation Products, Inc., on or before Mar. 19, 2013.

The product(s) shown in Attachment C were sold or offered for sale by Robert Bosch Tool Corporation under the brand name Nelson on or before Mar. 19, 2013.

The product(s) shown in Attachment D were sold or offered for sale by Melnor, Inc., on or before Mar. 19, 2013.

The website shown in the printout included in Attachment E appears to have been published by Melnor, Inc., on or before Feb. 10, 2012.

The website shown in the printout included in Attachment F appears to have been published by Melnor, Inc., on or before Jun. 24, 2012.

The website shown in the printout included in Attachment G appears to have been published by Robert Bosch Tool Corporation under the brand name Nelson on or before Mar. 27, 2012.

The website shown in the printout included in Attachment H appears to have been published by Robert Bosch Tool Corporation under the brand name Nelson on or before Jul. 9, 2012.

The product shown in Attachment I was sold or offered for sale by Rain Bird Corporation at least by Mar. 29, 2012.

U.S. Appl. No. 29/532,141, filed Jul. 1, 2015, Orbit Irrigation Products, Inc.

U.S. Appl. No. 29/546,847, filed Nov. 25, 2015, Orbit Irrigation Products, Inc.

U.S. Appl. No. 29/553,698, filed Feb. 3, 2016, Orbit Irrigation Products, Inc.

Orbit Irrigation Products, Inc., 2014 Hose Faucet Timers, the items shown in Attachment J were disclosed and/or offered sale in a private meeting on Mar. 13, 2013 (Redacted).

Orbit Irrigation Products, Inc., Lowe’s Hose End 2014 Product Review, the items shown in Attachment K were disclosed and/or offered sale in a private meeting on Jun. 11, 2013.

U.S. Appl. No. 29/450,680, Restriction Requirement, mailed on Feb. 12, 2014 (Attachment L).

U.S. Appl. No. 29/450,680, Restriction Requirement Response, dated Apr. 14, 2014 (Attachment M).

Notice of Allowance and Fee(s) Due (including a Notice of Allowability for a Design Application, a Restriction/Election Requirement section, an Examiner’s Amendment section, and an Amendment to the Specification section), U.S. Appl. No. 29/450,680, Mailed on Apr. 22, 2014 (Attachment N).

U.S. Appl. No. 29/450,680, Amendment Under Rule 312, dated Jul. 21, 2014 (Attachment O).

U.S. Appl. No. 29/500,449, Restriction Requirement, mailed on Oct. 1, 2014 (Attachment P).

U.S. Appl. No. 29/500,449, Restriction Requirement Response, mailed on Dec. 1, 2014 (Attachment Q).

Notice of Allowance and Fee(s) Due (including a Notice of Allowability for a Design Application, a Restriction/Election Requirement section, an Examiner’s Amendment section, and an Amendment to the Specification section), U.S. Appl. No. 29/500,449, Mailed on Dec. 17, 2014 (Attachment R).

Notice of Allowance and Fee(s) Due (including a Notice of Allowability for a Design Application, a Continued Prosecution Application section, an Examiner’s Amendment section, and an Amendment to the Specification section), U.S. Appl. No. 29/500,449, Mailed on Apr. 6, 2015 (Attachment S).

U.S. Appl. No. 29/500,449, Amendment Under Rule 312, dated Jul. 3, 2015 (Attachment T).

Notice of Allowance and Fee(s) Due (including a Notice of Allowability for a Design Application, a Restriction/Election Requirement section, an Examiner’s Amendment section, an Amendment to the Drawing section and an Amendment to the Specification section), U.S. Appl. No. 29/532,141, Mailed on Dec. 31, 2015 (Attachment U).

Notice of Allowance and Fee(s) Due (including a Notice of Allowability for a Design Application, a Restriction/Election Requirement section, an Examiner’s Amendment section, an Amendment to the Drawing section and an Amendment to the Specification section), U.S. Appl. No. 29/546,843, Mailed on Dec. 30, 2015 (Attachment V).

U.S. Appl. No. 29/546,843, Amendment Under Rule 312, dated Jan. 15, 2016 (Attachment W).

(56)

References Cited

OTHER PUBLICATIONS

Corrected Notice of Allowability For a Design Application (including an Examiner's Comment section and an Information Disclosure Statements section), U.S. Appl. No. 29/546,843, Mailed on Jan. 29, 2016 (Attachment X).

Notice of Allowance and Fee(s) Due (including a Notice of Allowability for a Design Application, a Restriction/Election Requirement section, an Examiner's Amendment section, an Amendment to the Drawing section and an Amendment to the Specification section), U.S. Appl. No. 29/546,847, Mailed on Dec. 31, 2015 (Attachment Y).

Corrected Notice of Allowability For A Design Application (including an Examiner's Comment section and an Information Disclosure Statements section), U.S. Appl. No. 29/546,847, Mailed on Feb. 2, 2016 (Attachment Z).

Corrected Notice of Allowability For A Design Application (including an Examiner's Comment section and an Information Disclosure Statements section), U.S. Appl. No. 29/546,847, Mailed on Feb. 4, 2016 (Attachment AA).

U.S. Appl. No. 29/500,449, Continued Prosecution Application, dated Mar. 17, 2015 (Attachment BB).

Orbit Irrigation Products, Inc., the product shown in Attachment DD was sold or offered for sale by Orbit Irrigation Products, Inc., at least by Mar. 19, 2012.

Orbit Irrigation Products, Inc., The products shown in Replacement Attachment B were sold or offered for sale by at least by Mar. 19, 2012.

Orbit Irrigation Products, Inc., The product shown in Attachment CC was sold or offered for sale to the public at least by Sep. 8, 2013. U.S. Appl. No. 29/532,141, Continued Prosecution Application, mailed on Mar. 30, 2016 (Attachment EE).

U.S. Appl. No. 29/532,141, Continued Prosecution Application, mailed on Mar. 30, 2016, (Attachment EE).

U.S. Appl. No. 29/532,141, Notice of Allowance and Fee(s) Due (including a Notice of Allowability For A Design Application, an Examiner's Amendment section, an Election/Restrictions section, a Specification section, a first Drawings section, and a second Drawings section), Mailed on Jun. 29, 2016 (Attachment FF).

U.S. Appl. No. 29/553,698, Non-Final Office Action, mailed on Mar. 28, 2016, (Attachment GG).

Office Action Response, U.S. Appl. No. 29/553,698, Dated Sep. 28, 2016 (shown in attachment HH).

Notice of Allowance and Fee(s) Due (including a Notice of Allowability For A Design Application section, an Examiner's Amendment section, a Specification—Special Description section), U.S. Appl. No. 29/553,698, Mailed on Nov. 21, 2016 (shown in attachment II).

Continued Prosecution Application, U.S. Appl. No. 29/553,698, Dated Nov. 23, 2016 (shown in attachment JJ).

* cited by examiner

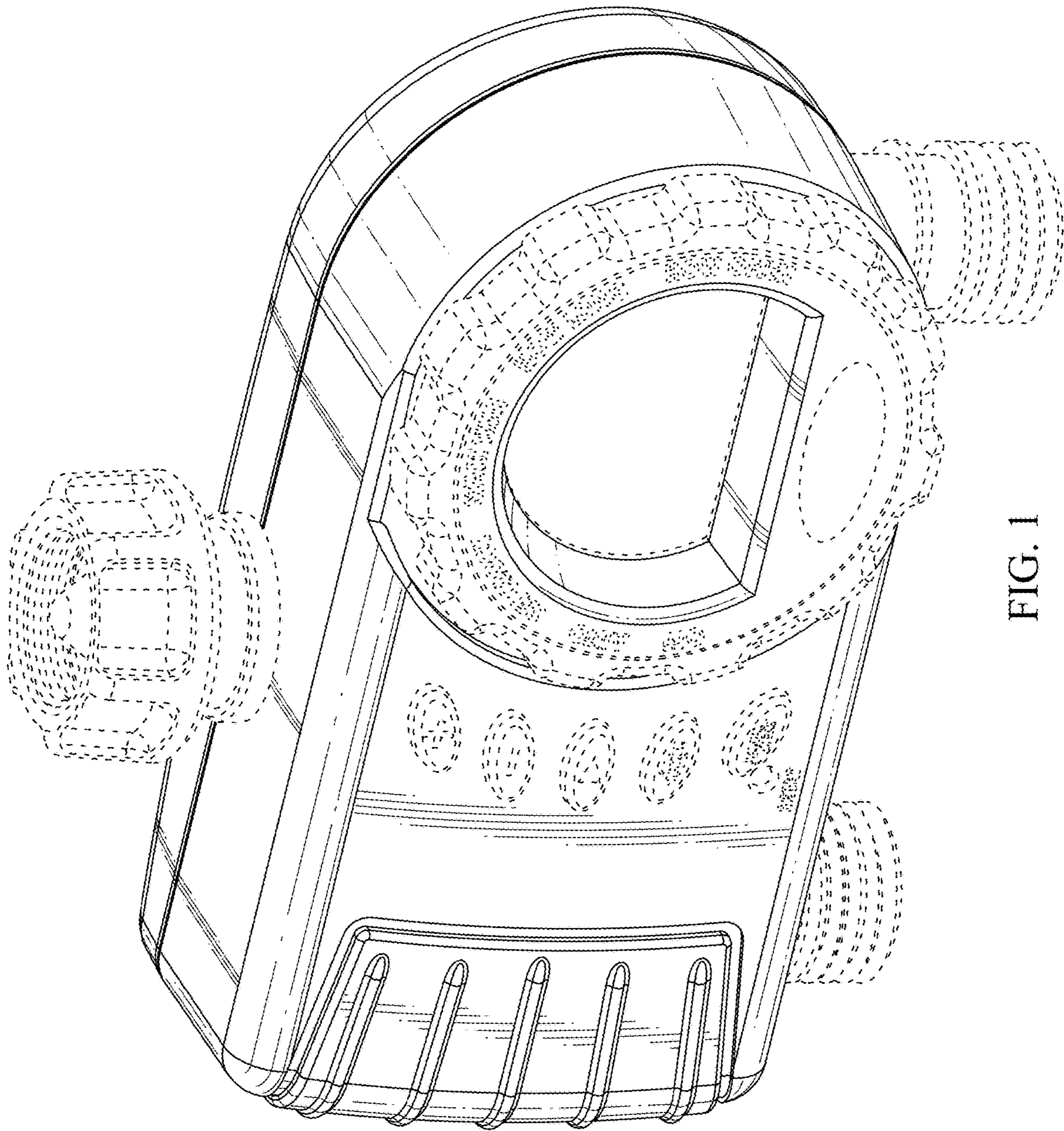


FIG. 1

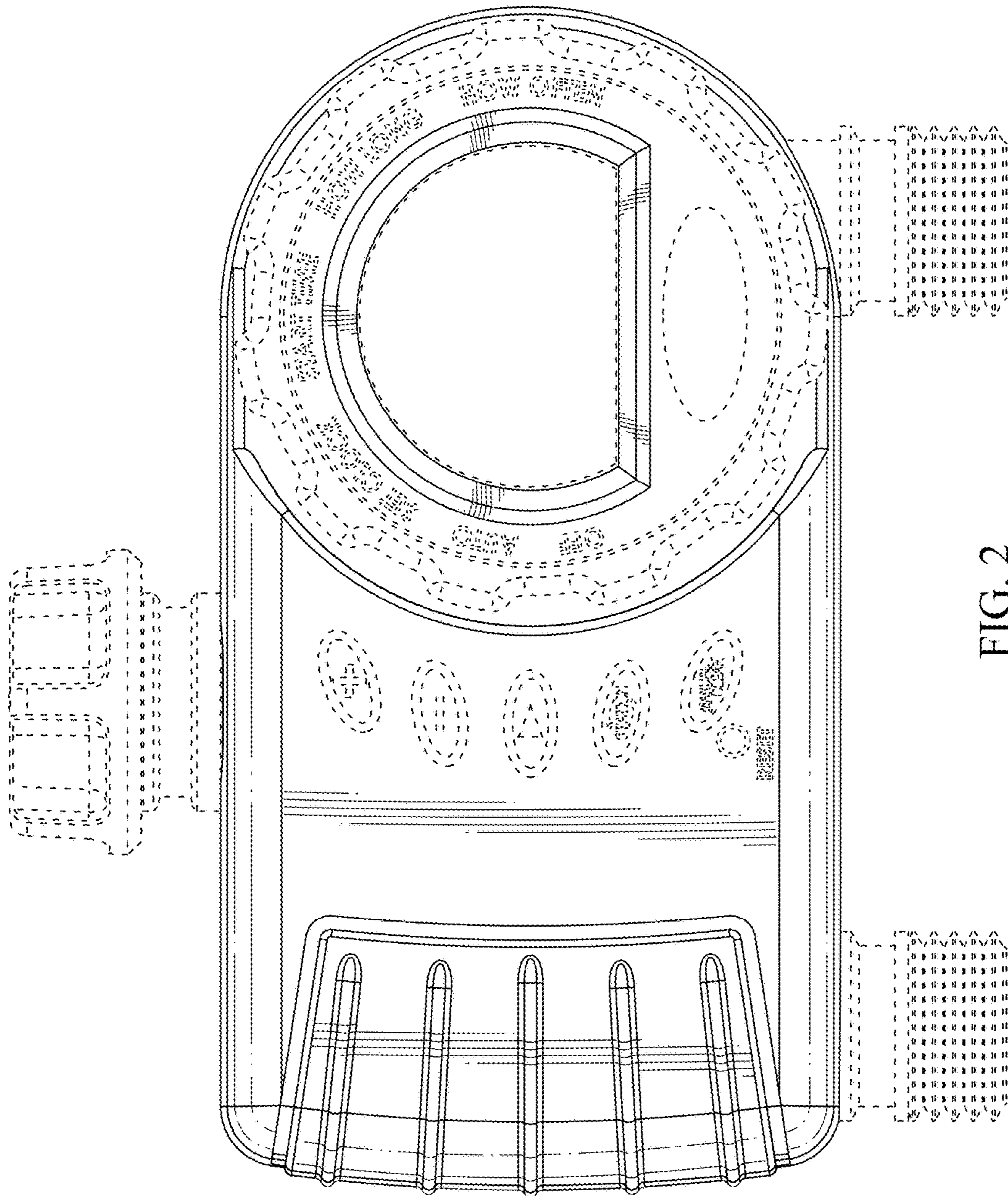


FIG. 2

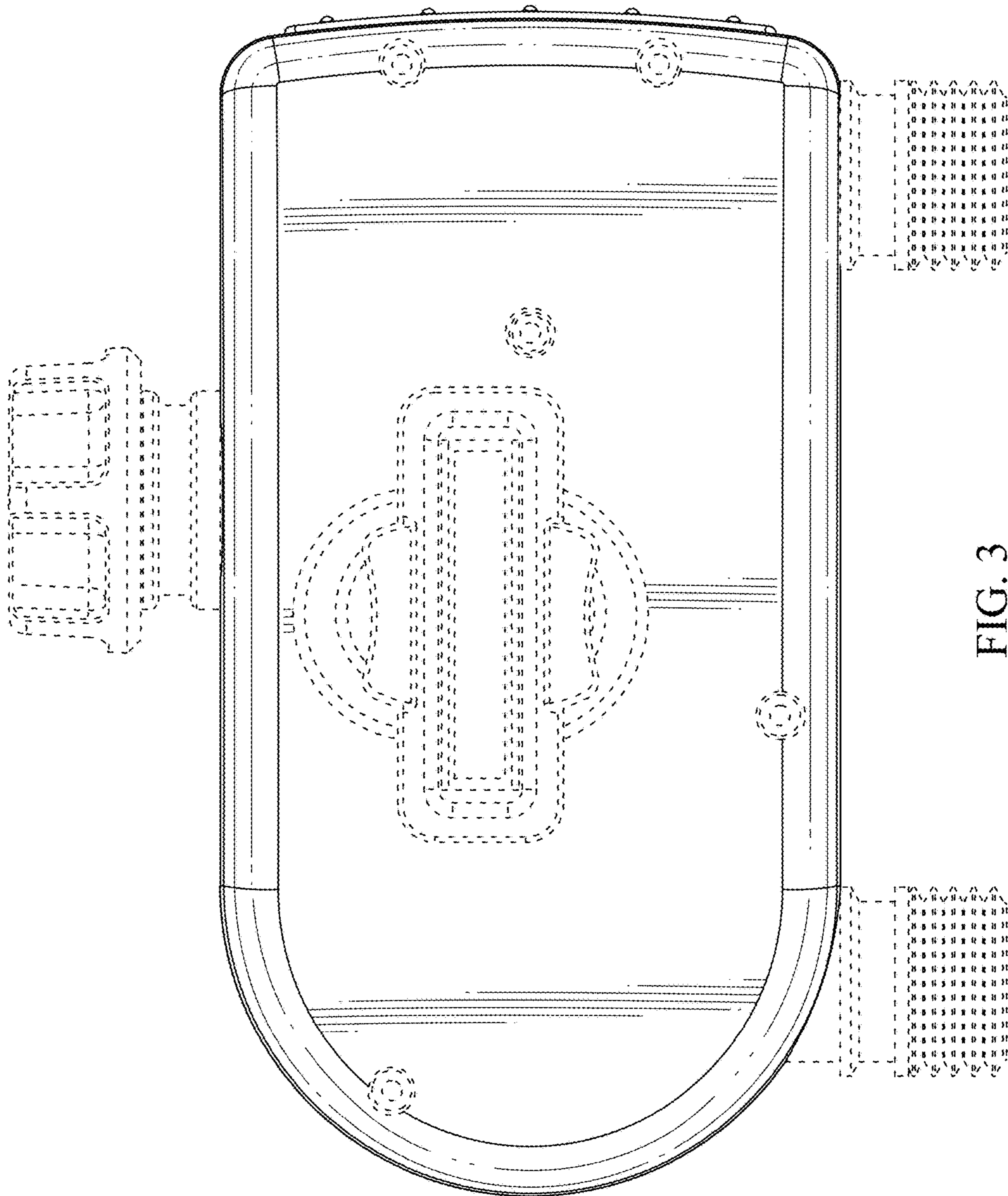


FIG. 3

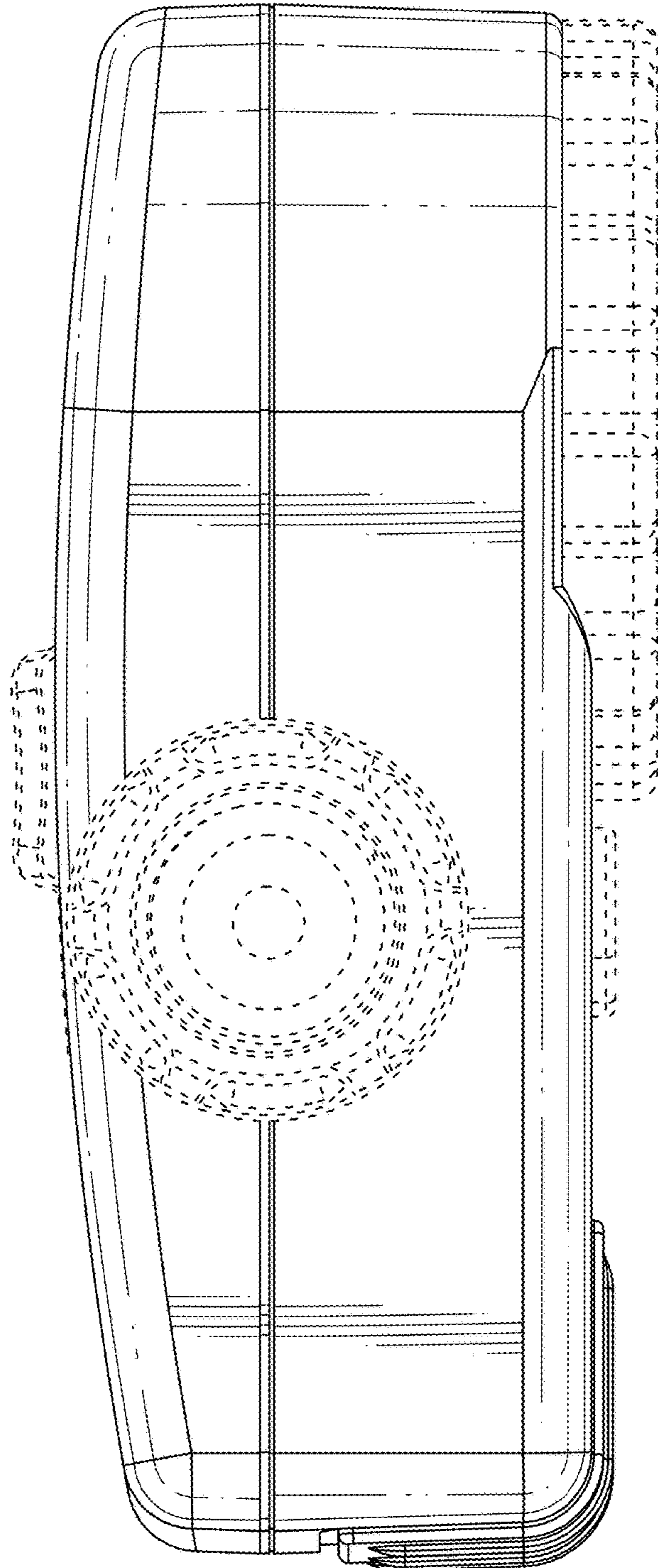


FIG. 4

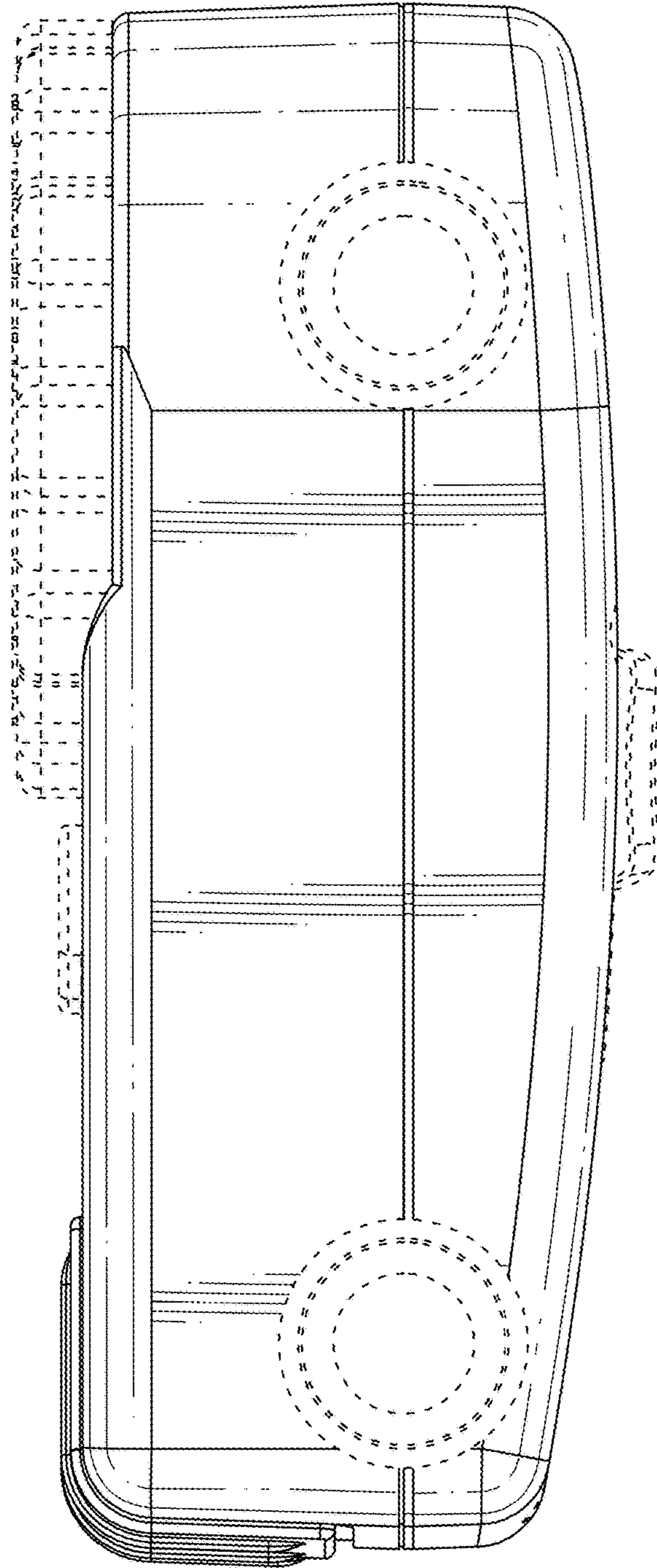


FIG. 5

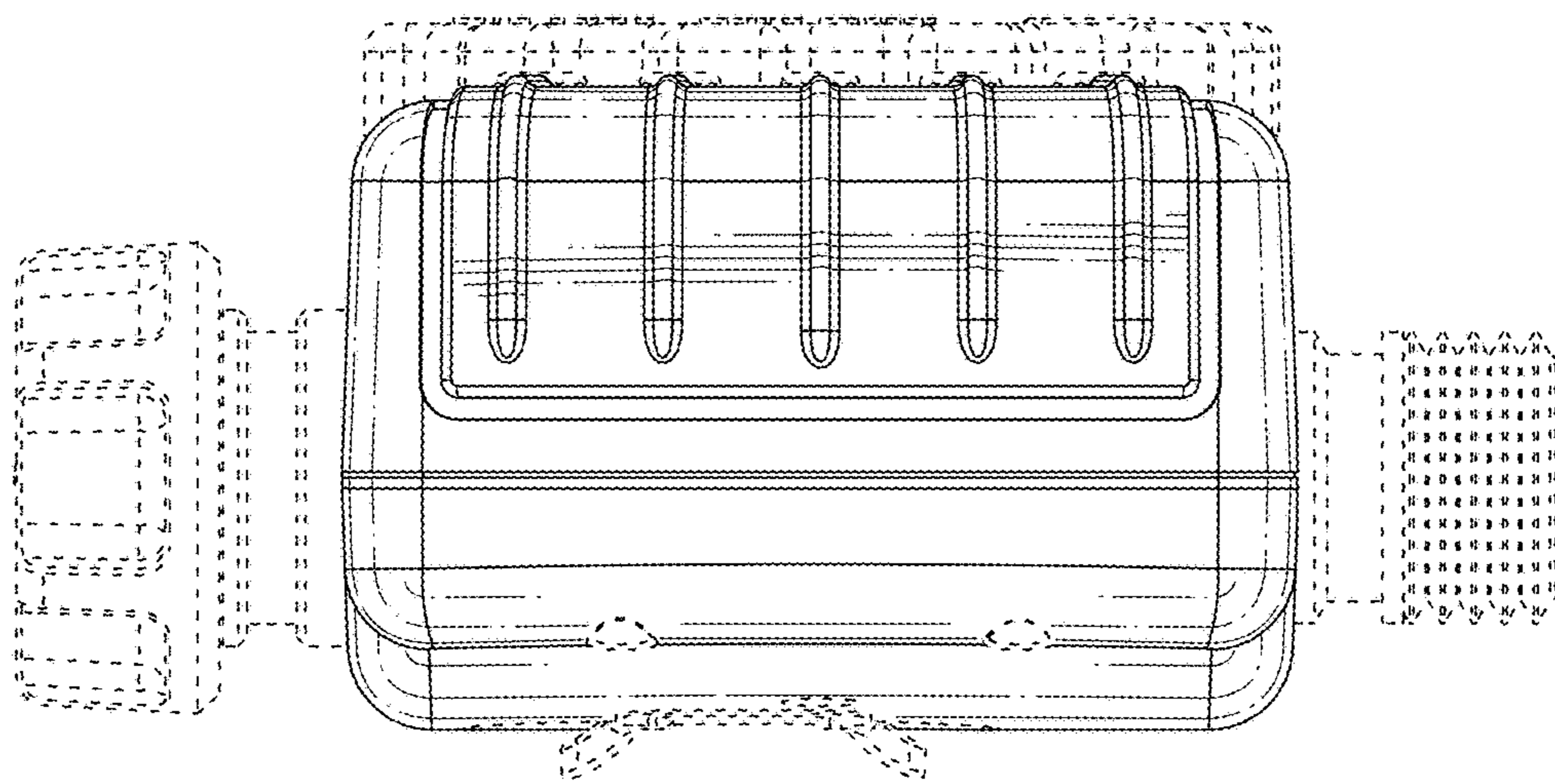


FIG. 6

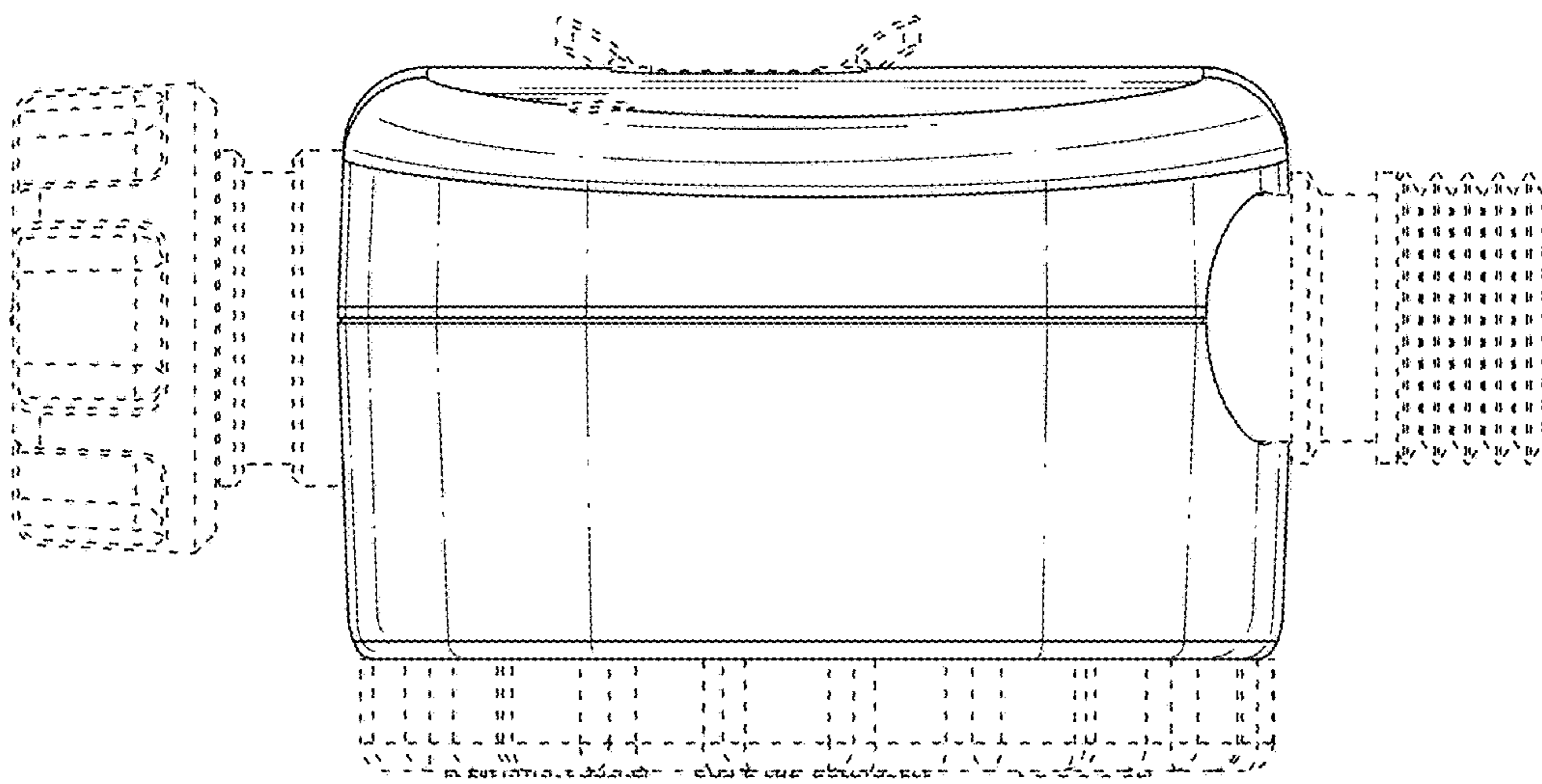


FIG. 7

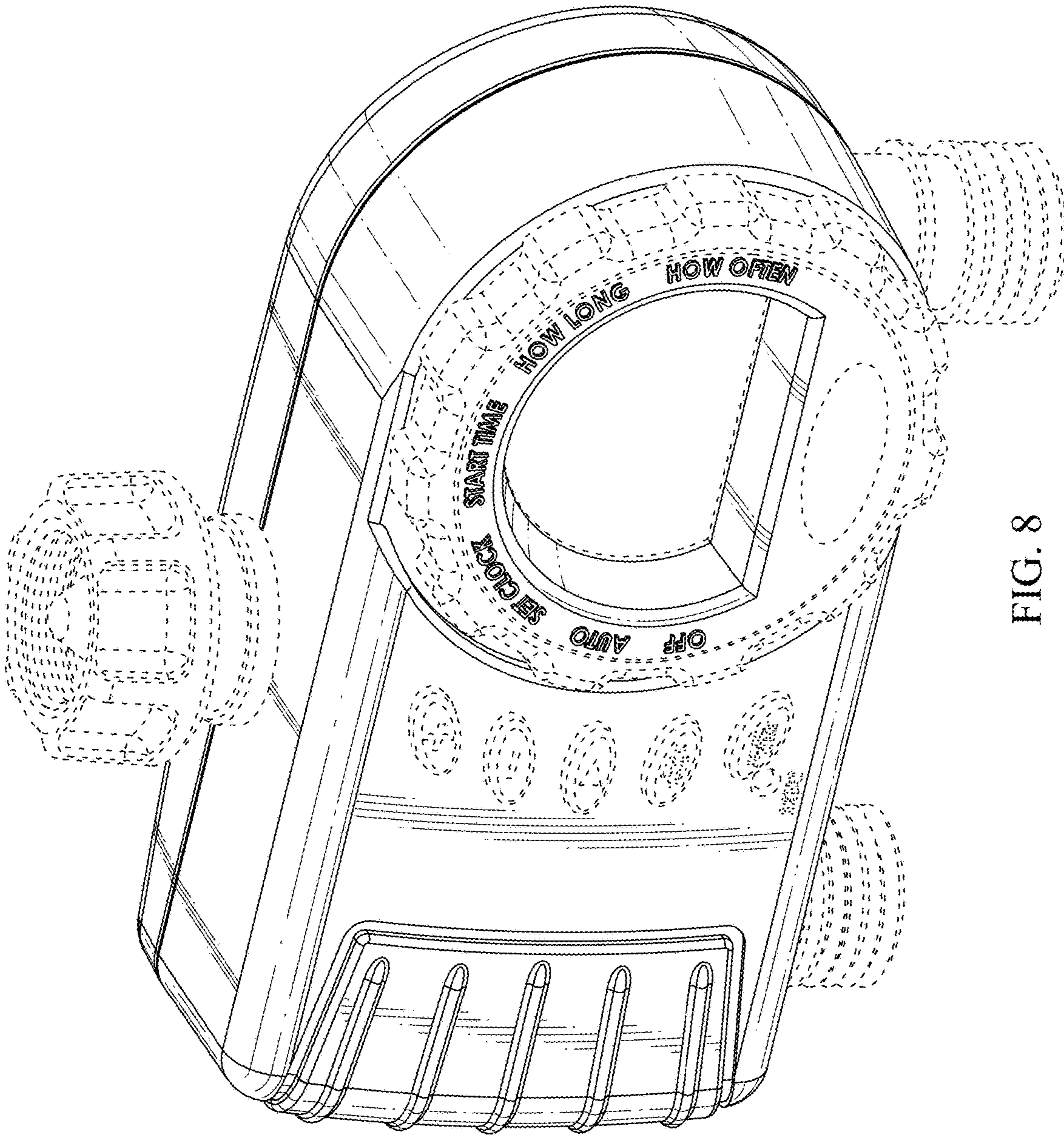


FIG. 8

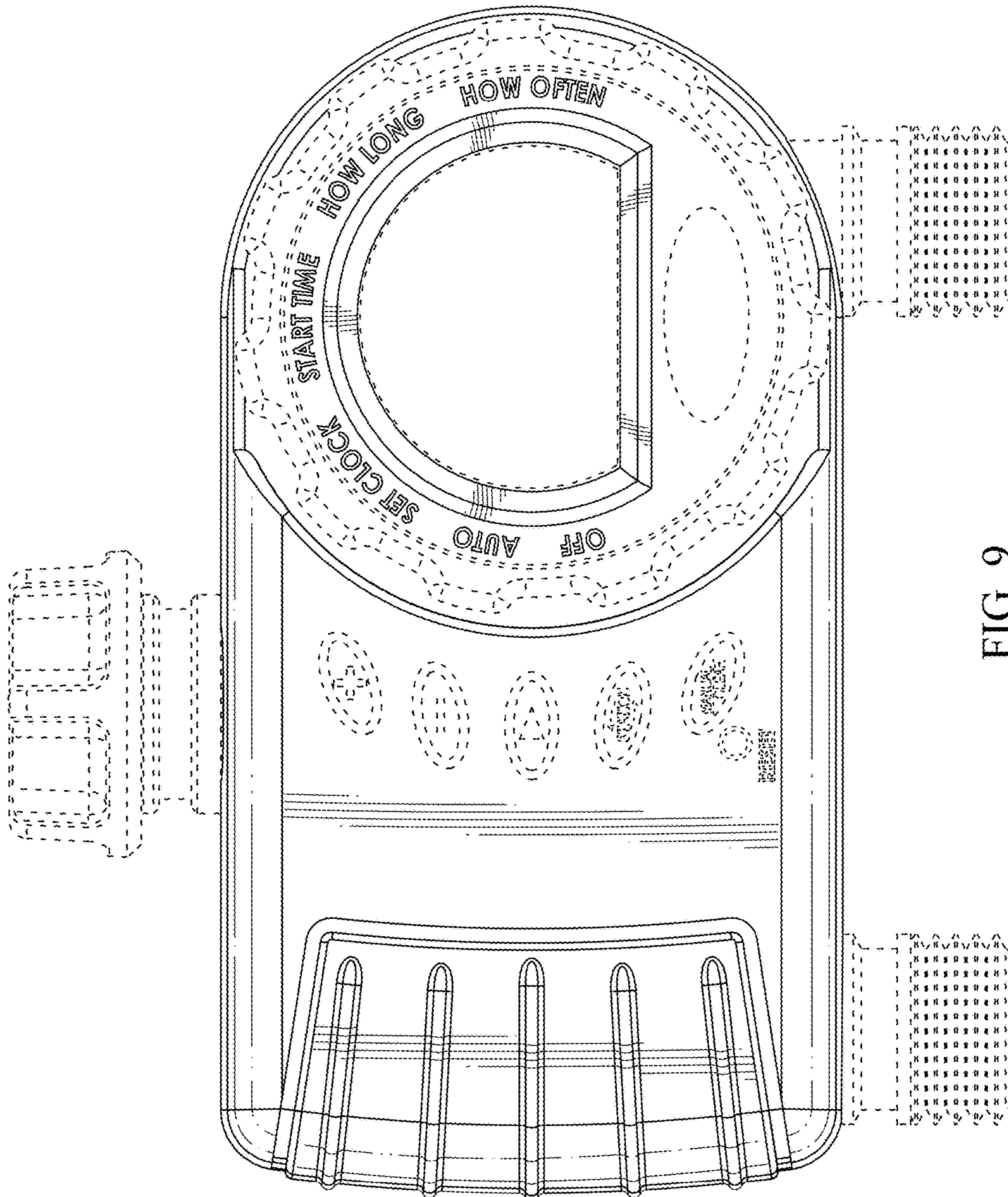


FIG. 9

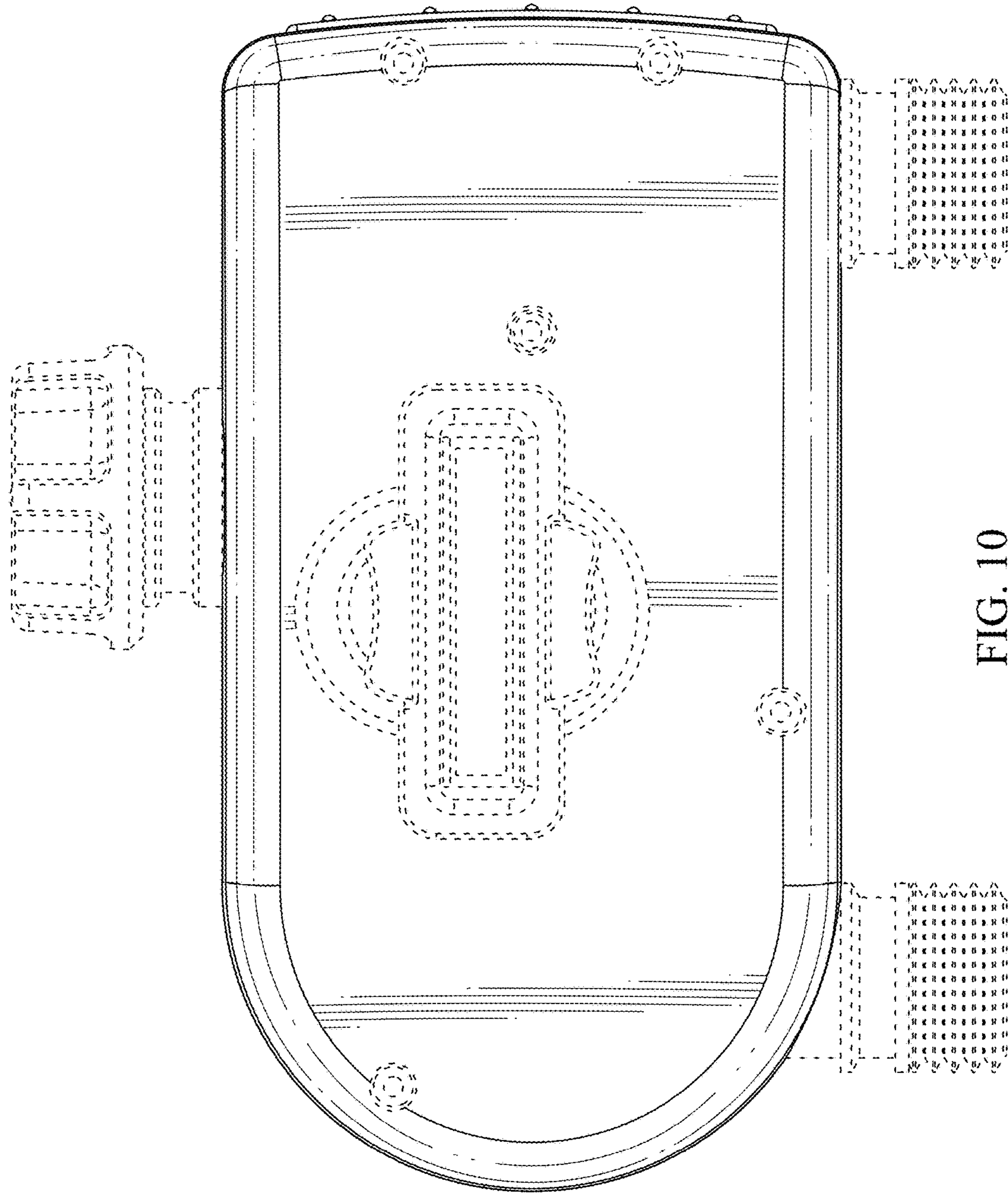


FIG. 10

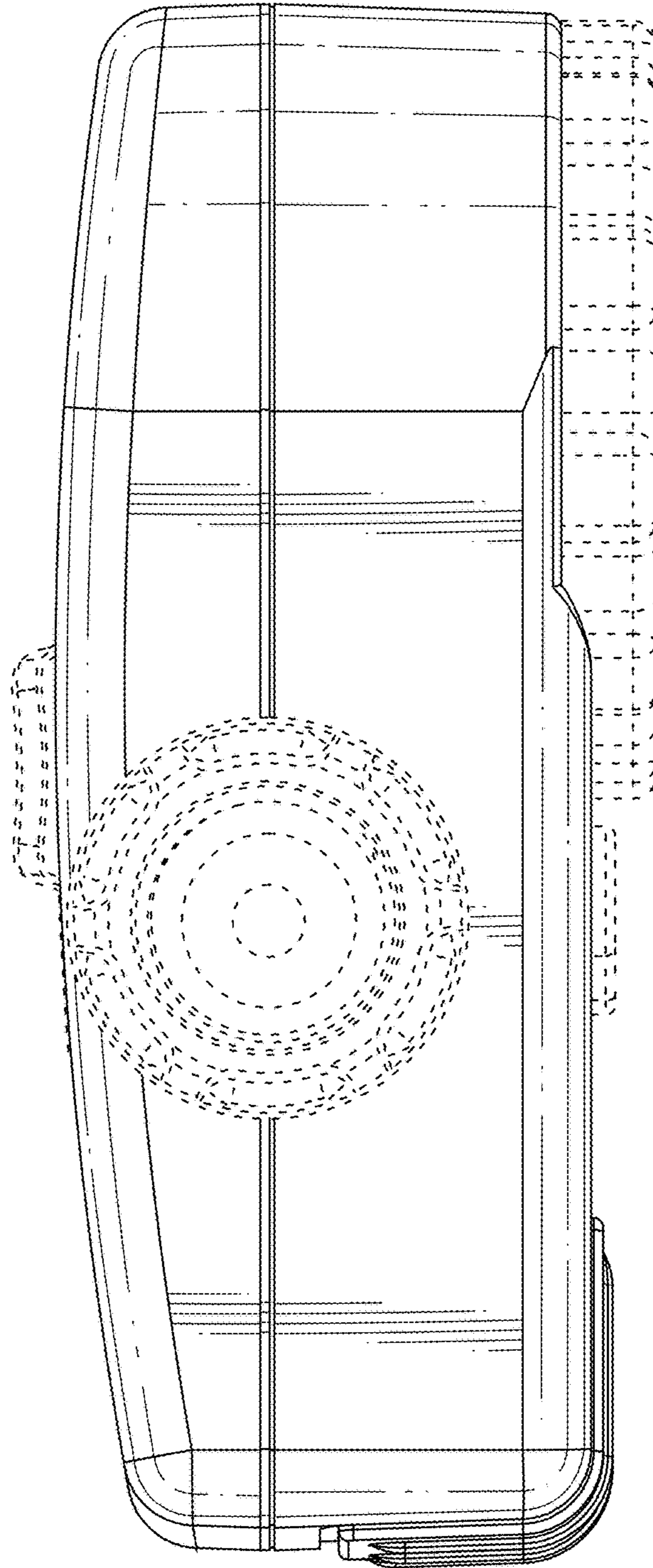


FIG. 11

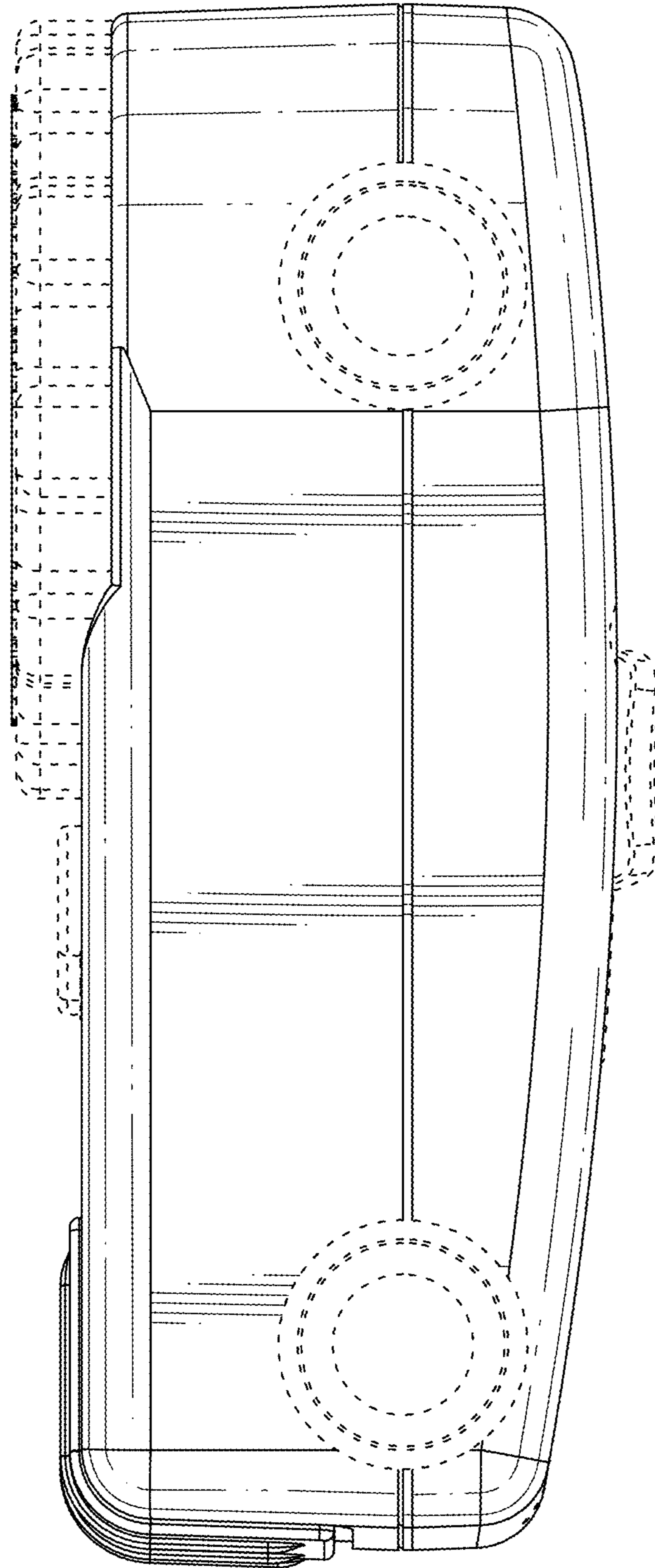


FIG. 12

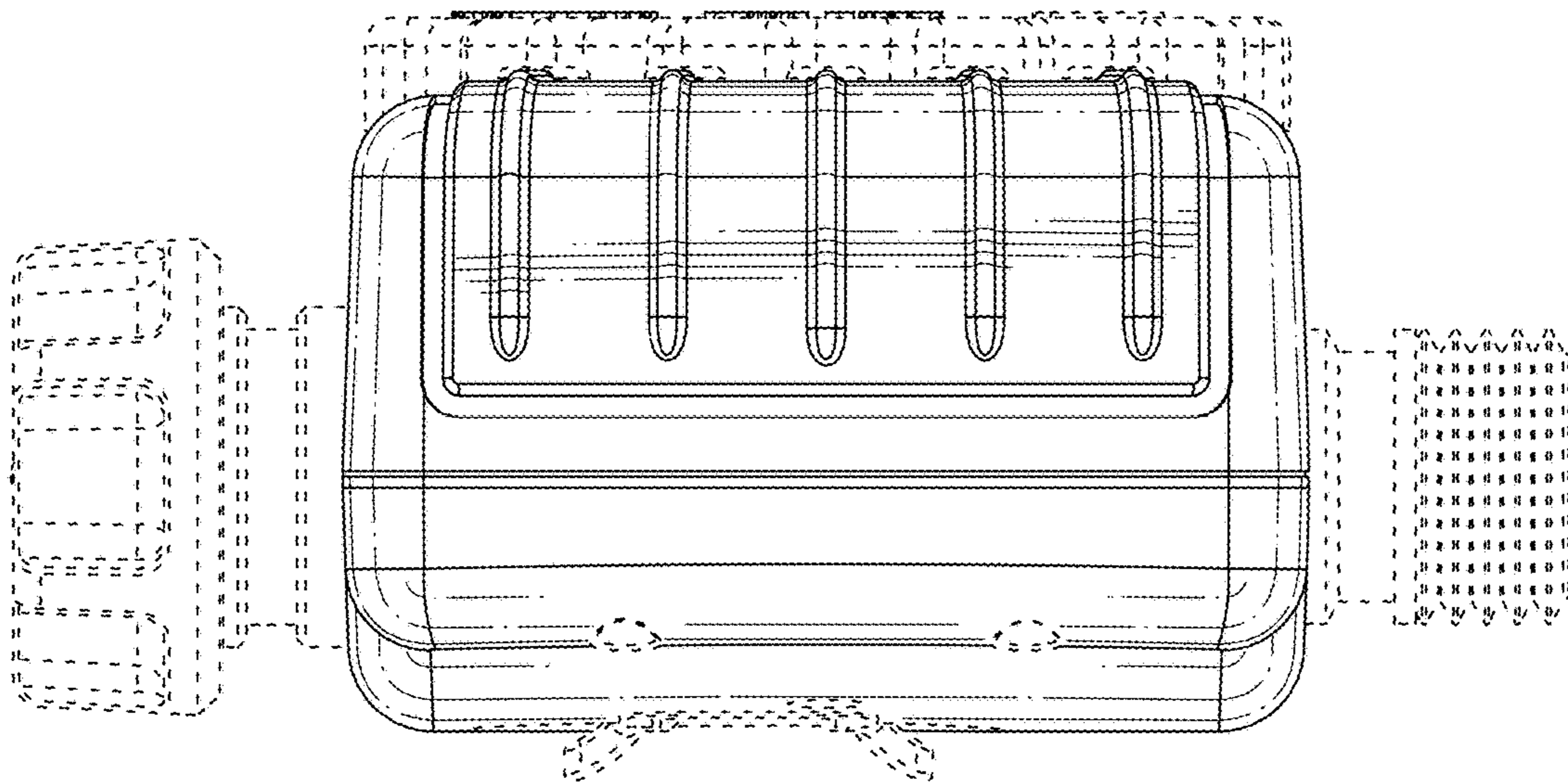


FIG. 13

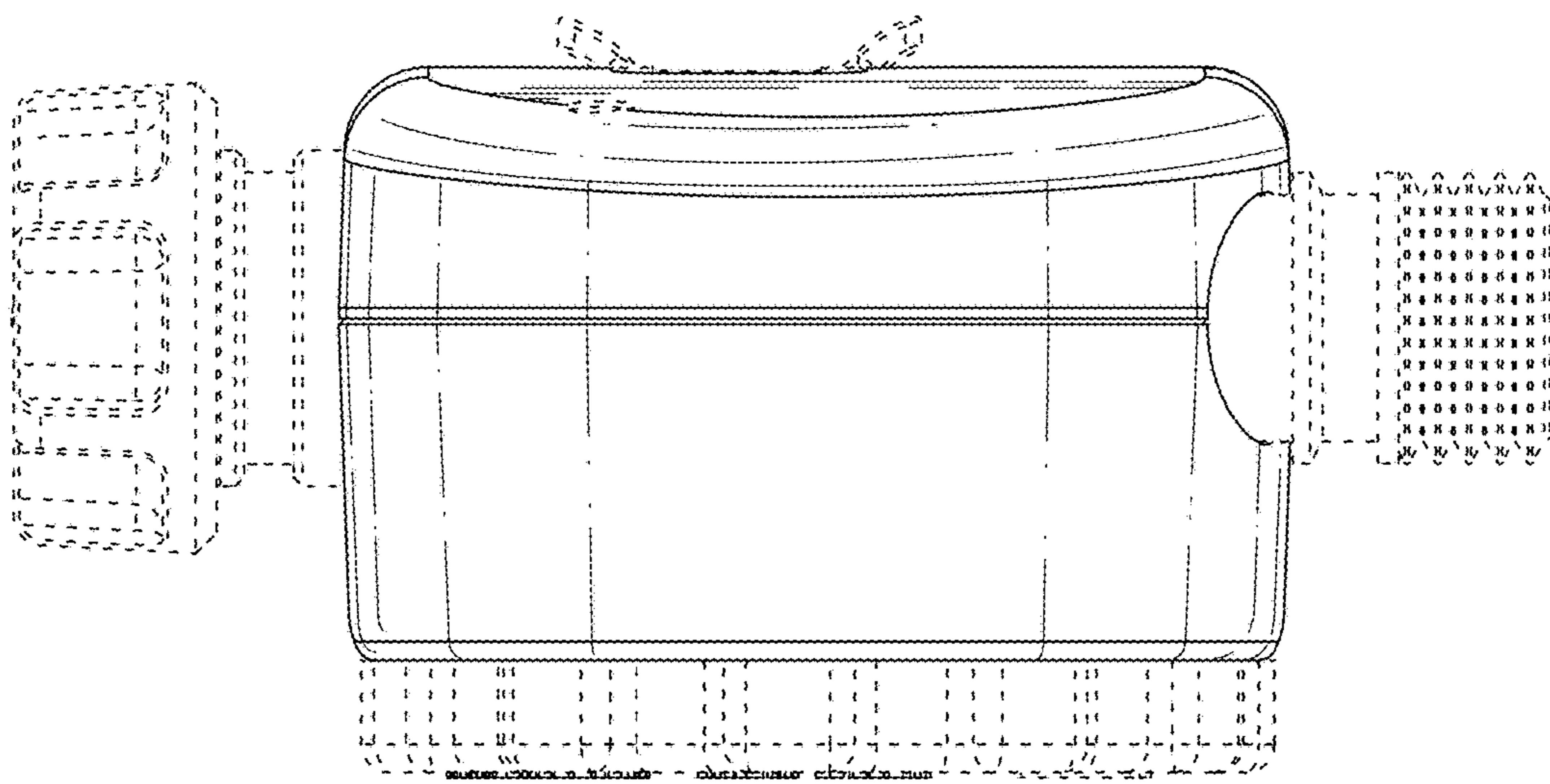


FIG. 14