



US00D781158S

(12) **United States Design Patent** (10) **Patent No.:** **US D781,158 S**
Bosworth et al. (45) **Date of Patent:** **** Mar. 14, 2017**

(54) **BOTTLE CARRIER**

OTHER PUBLICATIONS

(71) Applicant: **Victoria's Secret Stores Brand Management, Inc.**, Reynoldsburg, OH (US)

Cola Drink Bottle Carrier and Cooler, posted 2 years ago, website last visited Oct. 7, 2015, <https://www.pinterest.com/pin/8655424256430774/>.

(72) Inventors: **Shaun K. P. Bosworth**, New York, NY (US); **Michael E. Klein**, New York, NY (US)

Nu Displays, Bottle Carriers—7 Variants, 2012, website last visited Oct. 7, 2015, <http://www.nudisplays.co.za/portfolio/bottle-carriers-7-variants-colour-embossing-options-available/>.

Roberts Polypro, Bottle Handle Solutions, 2015, website last visited Oct. 7, 2015, <http://www.robertspolypro.com/products/handle-solutions/bottle-handle-solutions/>.

(73) Assignee: **Victoria's Secret Stores Brand Management, Inc.**, Reynoldsburg, OH (US)

(Continued)

Primary Examiner — Terry Wallace

(74) *Attorney, Agent, or Firm* — Andrus Intellectual Property Law, LLP

(**) Term: **15 Years**

(57) **CLAIM**

The ornamental design for a bottle carrier, as shown and described.

(21) Appl. No.: **29/544,407**

DESCRIPTION

(22) Filed: **Nov. 3, 2015**

(51) **LOC (10) Cl.** **09-03**

(52) **U.S. Cl.**
USPC **D9/752; D7/705**

(58) **Field of Classification Search**
USPC D9/751–753; D3/315; D7/701–708
CPC A45F 5/10; A45F 5/102; B65D 23/104;
B65D 71/504; B65D 71/50; B65D
2571/0066

See application file for complete search history.

FIG. 1 is a top perspective view of our new and ornamental design for a bottle carrier;

FIG. 2 is a front elevation view thereof, wherein the rear elevation view is identical;

FIG. 3 is a left side elevation view thereof, wherein the right side elevation view is identical;

FIG. 4 is a top plan view thereof;

FIG. 5 is a bottom plan view thereof;

FIG. 6 is a bottom perspective view thereof;

FIG. 7 is a top perspective view of the bottle carrier with a handle of the bottle carrier shown in an alternate position; FIG. 8 is a front elevation view thereof with the handle in the alternate position, wherein the rear elevation view is identical; and,

FIG. 9 is a left side elevation view thereof with the handle in the alternate position, wherein the right side elevation view is identical.

The broken lines midway through the handle represent the bounds of the claimed design while all other broken lines beyond the bounds of the claimed design are directed to environmental subject matter; the broken lines form no part of the claimed design.

(56) **References Cited**

U.S. PATENT DOCUMENTS

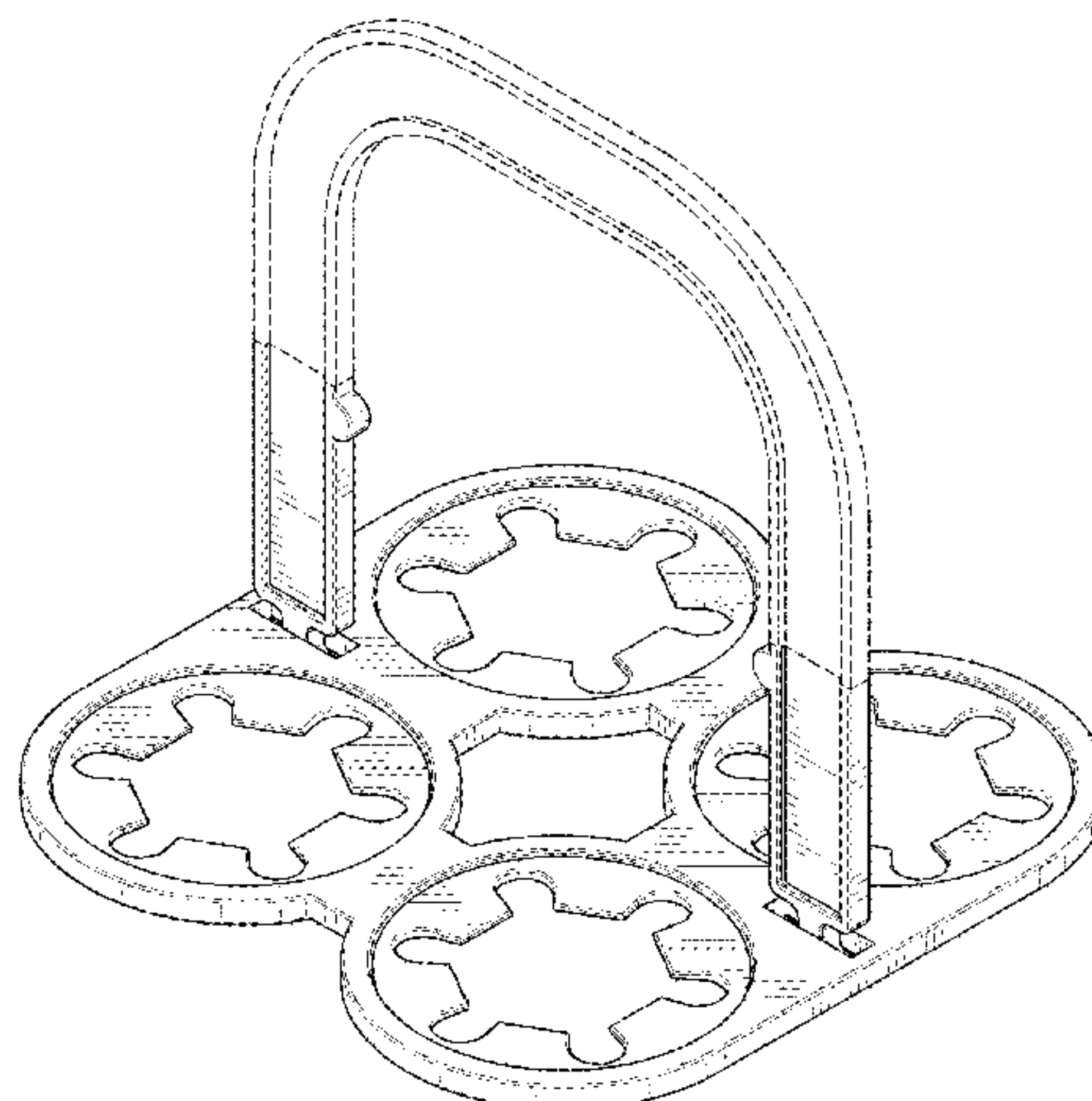
3,003,805 A 7/1957 Glazer
3,036,853 A 5/1962 Glazer
D202,304 S * 9/1965 Struble D3/315
4,850,479 A * 7/1989 Bird B65D 71/504
206/150

(Continued)

FOREIGN PATENT DOCUMENTS

GB 2163344 A 2/1986

1 Claim, 6 Drawing Sheets



(56)

References Cited

U.S. PATENT DOCUMENTS

5,188,413 A * 2/1993 Nathan B65D 71/50
206/151
5,437,364 A 8/1995 Broskow
5,806,667 A * 9/1998 Marco B65D 71/504
206/150
D405,006 S 2/1999 Spencer
D405,687 S * 2/1999 Borg D9/752
6,129,397 A 10/2000 Borg
6,874,620 B2 4/2005 Mattson et al.
D528,436 S 9/2006 Strepkoff
7,823,943 B2 11/2010 Borg
D704,572 S * 5/2014 Borg D9/752
2005/0167289 A1 * 8/2005 Borg A45F 5/10
206/151

OTHER PUBLICATIONS

Shantou Lisheng Hardware & Plastic Factory, The Plastic Bottle Holder, website last visited Oct. 7, 2015, http://lgift.en.alibaba.com/product/390585896-210643772/The_Plastic_bottle_holder.html.
Evolution Bottles, Aluminum Bottle Carriers, Sep. 7, 2013, <https://web.archive.org/web/20130907141722/http://evolutionbottles.com/carriers.php>.
Evolution Bottles, Aluminum Bottle Carriers, Nov. 16, 2014, <https://web.archive.org/web/20141116201223/http://evolutionbottles.com/carriers.php>.
Zhongshan Corwell Metals Plastic Electric Co., Ltd., Hot Sell 3 Bottles Plastic Bottle Holder for Drinking Promotion, http://www.alibaba.com/product-detail/Hot-sell-3-bottles-plastic-bottle_953694445.html.

* cited by examiner

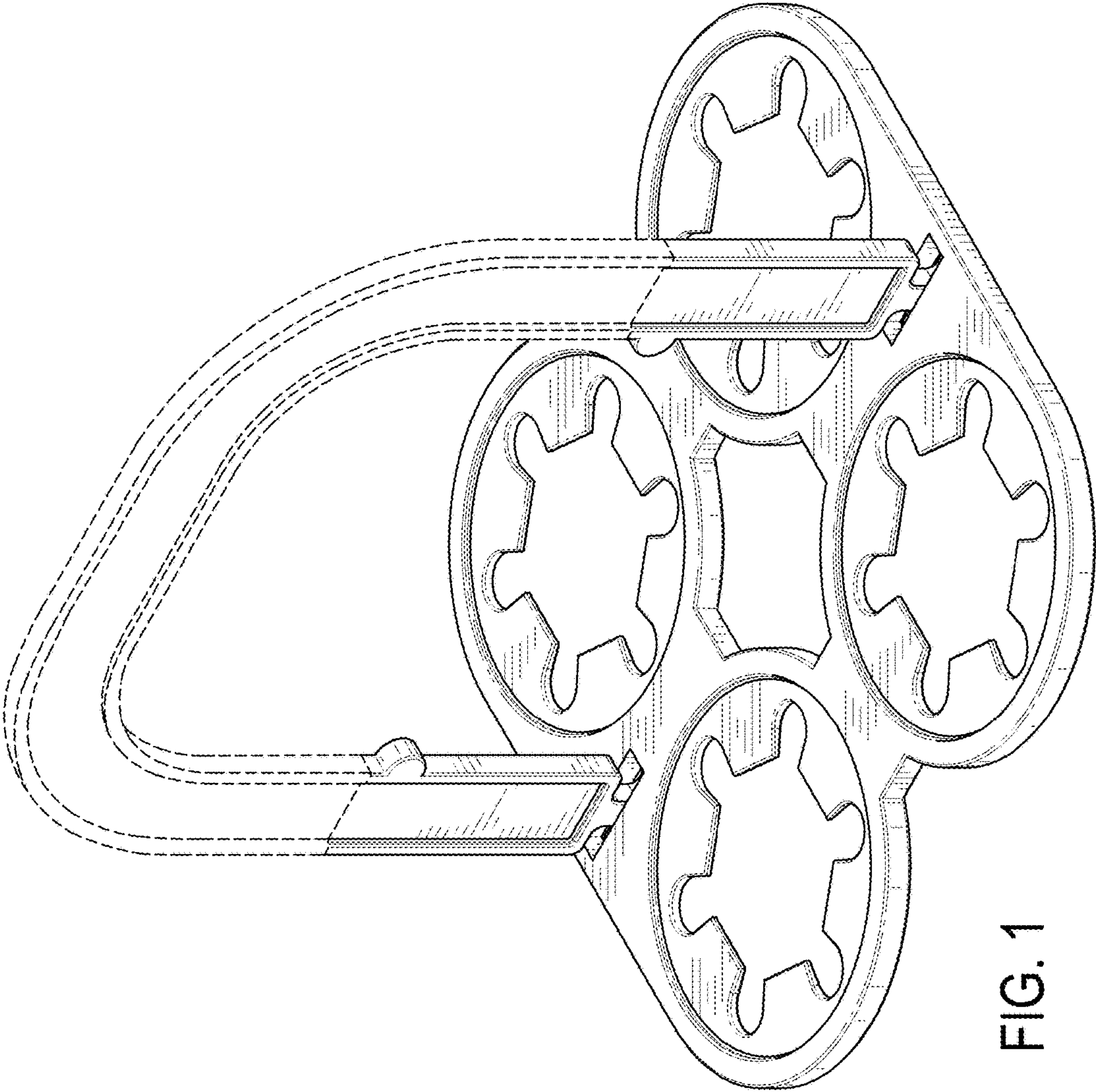


FIG. 1

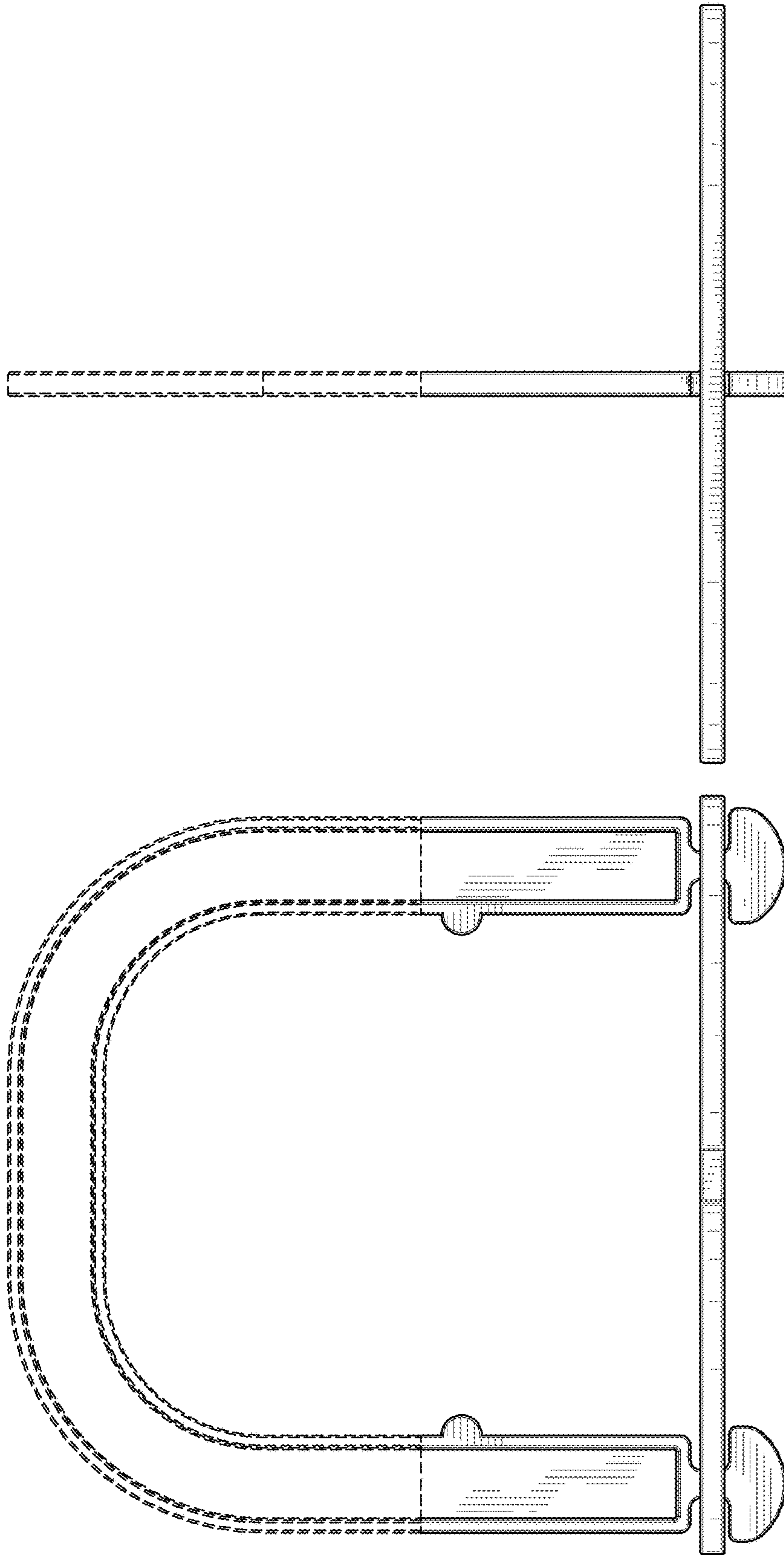


FIG. 3

FIG. 2

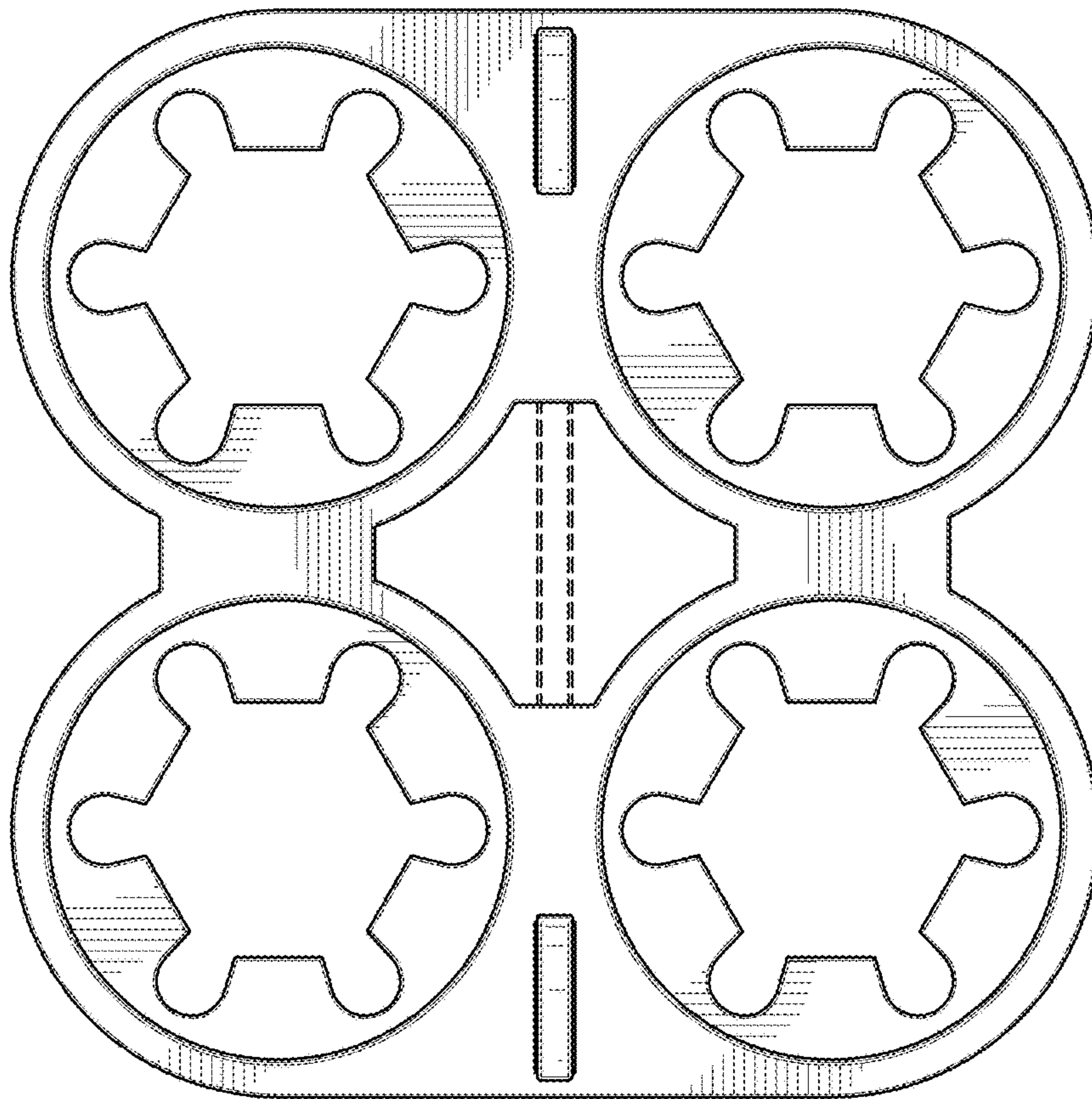


FIG. 4

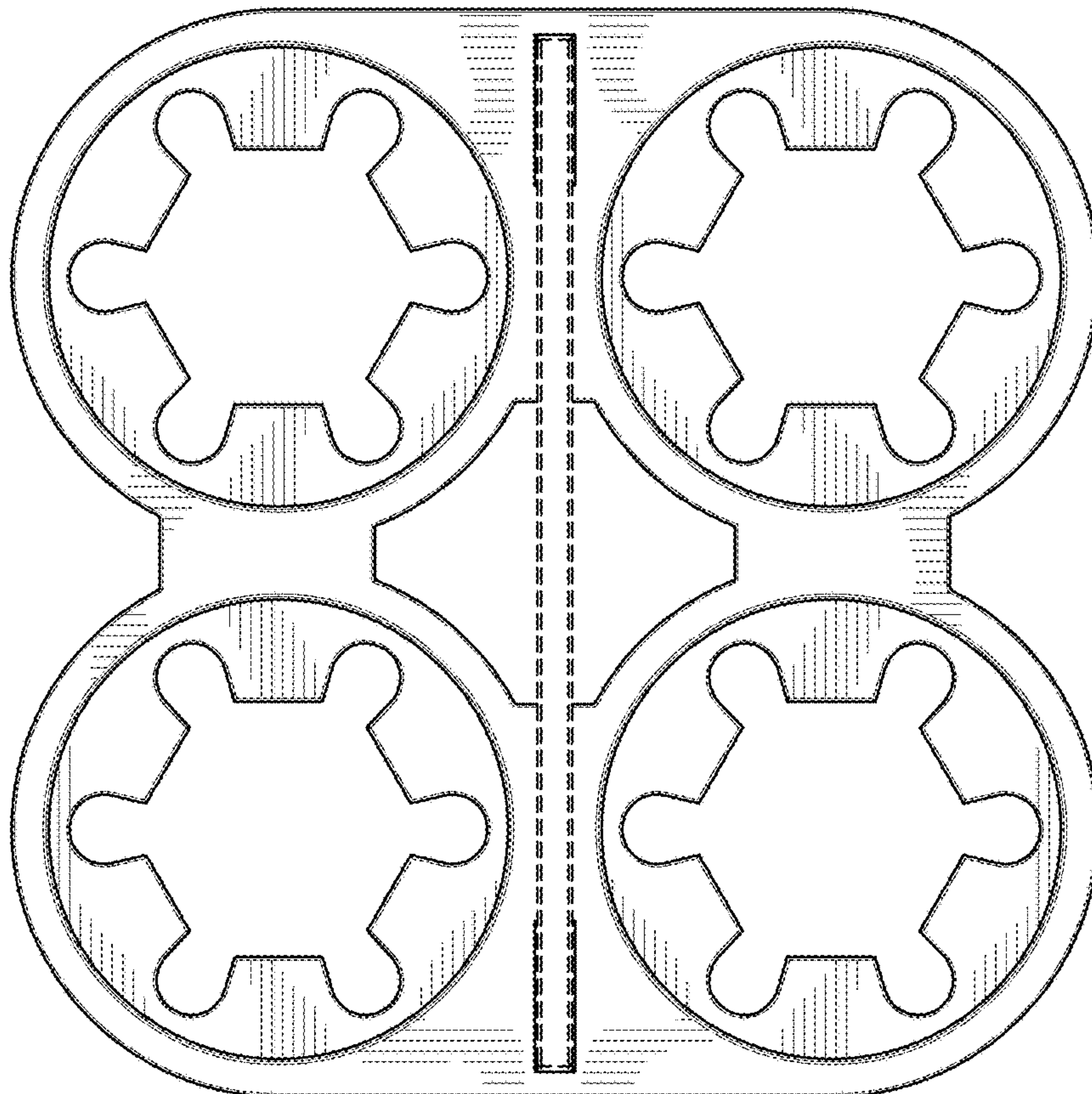


FIG. 5

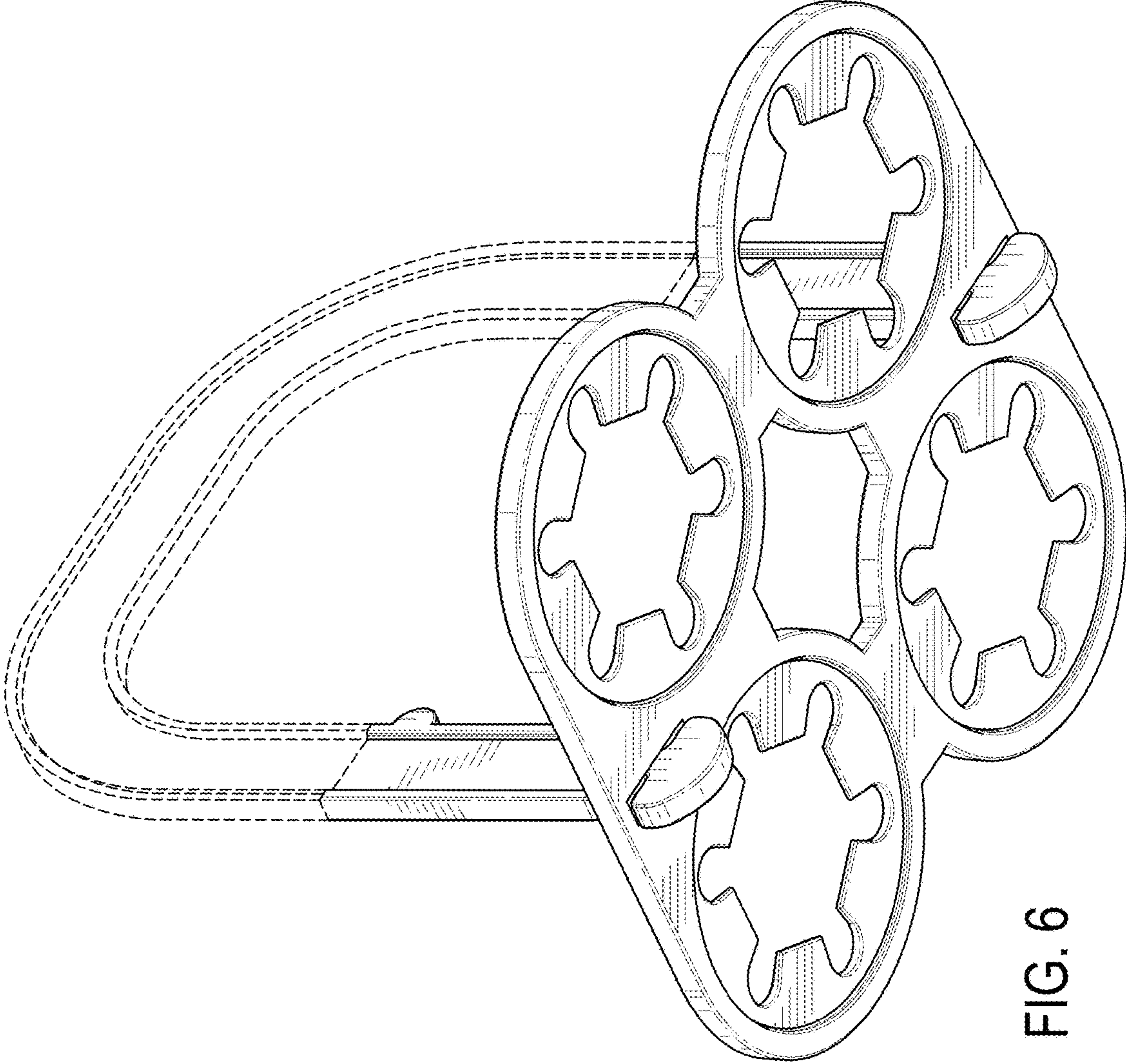


FIG. 6

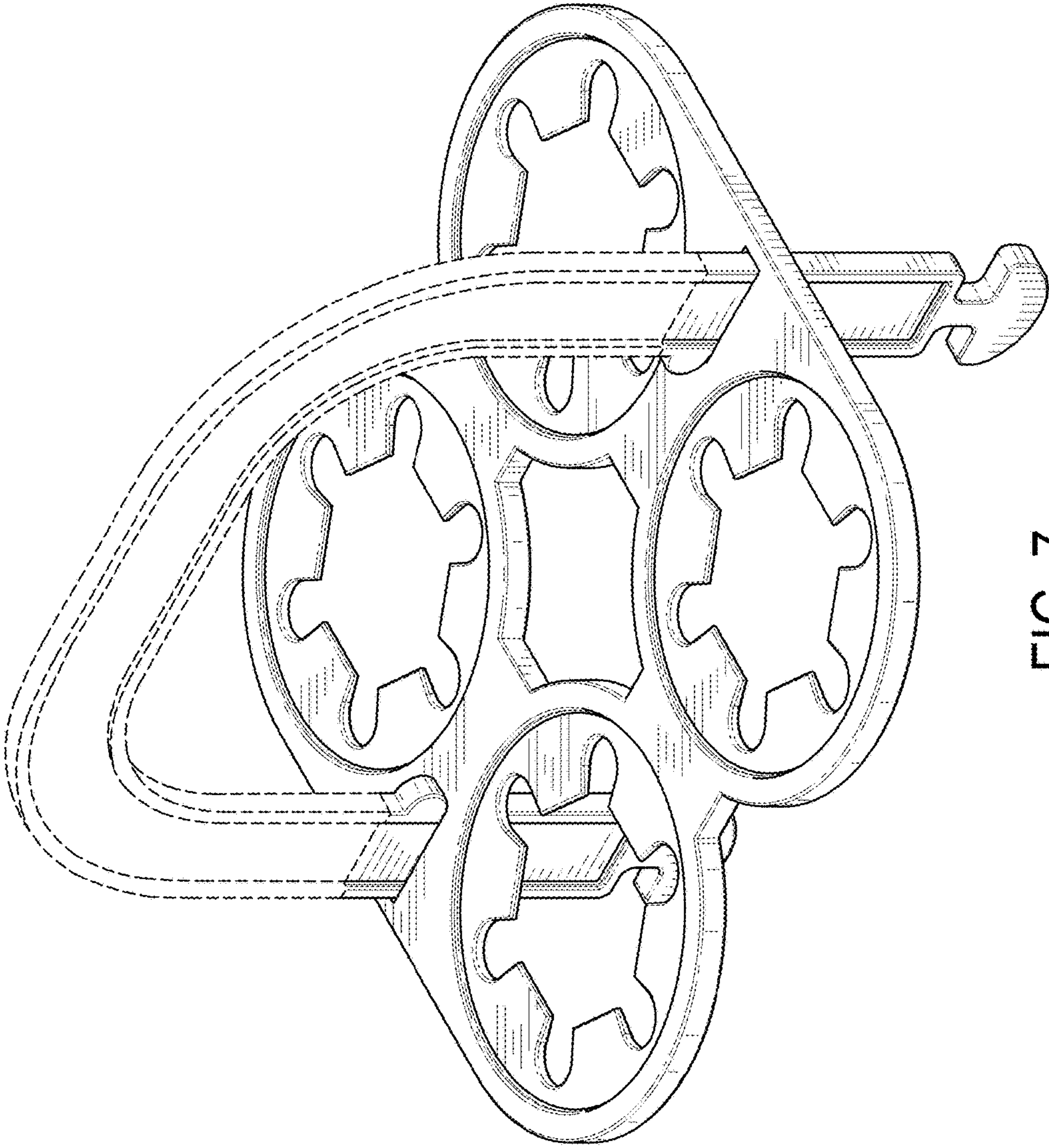


FIG. 7

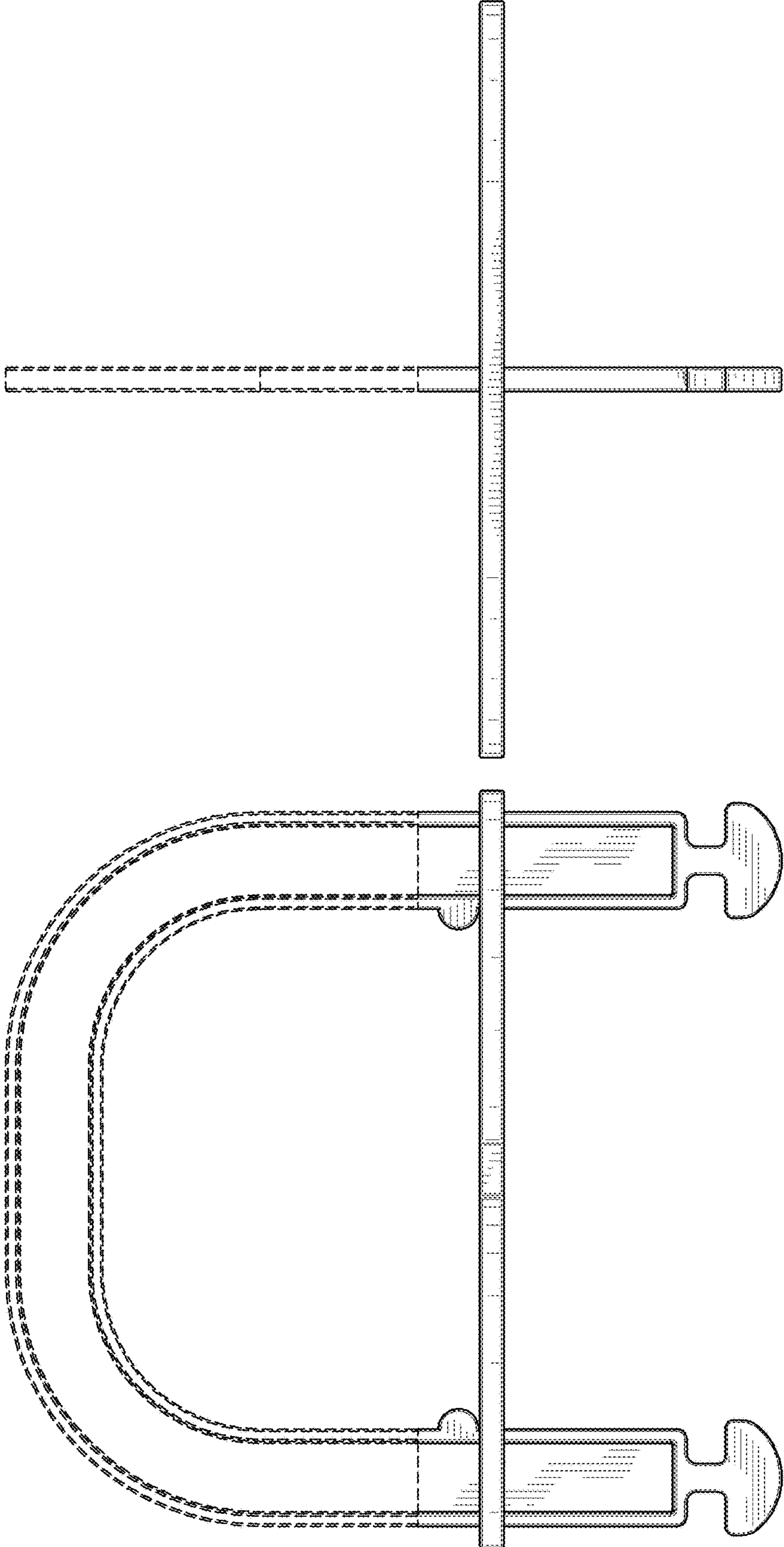


FIG. 9

FIG. 8