



US00D781157S

(12) **United States Design Patent**  
**Sowden**

(10) **Patent No.:** **US D781,157 S**  
(45) **Date of Patent:** **\*\* Mar. 14, 2017**

(54) **PHARMACEUTICAL PACKAGE**

(71) Applicant: **Johnson & Johnson Consumer Inc.**,  
Skillman, NJ (US)

(72) Inventor: **Harry S. Sowden**, Glenside, PA (US)

(73) Assignee: **Johnson & Johnson Consumer Inc.**,  
Skillman, NJ (US)

(\*\*) Term: **15 Years**

(21) Appl. No.: **29/548,693**

(22) Filed: **Dec. 16, 2015**

(51) **LOC (10) Cl.** ..... **09-01**

(52) **U.S. Cl.**  
USPC ..... **D9/732**

(58) **Field of Classification Search**  
USPC ..... D9/414, 424, 456, 732, 737, 756, 759,  
D9/761; 206/5, 5.1, 261, 461, 462, 467,  
206/469, 470, 471, 528, 530, 531, 532,  
206/534, 534.1, 534.2, 535-540;  
D24/223, 227, 229, 230; D3/263, 264  
CPC ..... B65D 2575/3218; B65D 73/0035; B65D  
75/58; B65D 85/00; B65D 75/366; B65D  
75/36; B65D 2585/56; B65D 75/32;  
B65D 2585/545; B65D 83/0445; B65D  
2575/3245; B65D 43/162; B65D 75/326;  
B65D 75/22; B65D 75/322; B65D  
2543/00296; A61J 1/035; A61J 7/04;  
A61J 1/03; A61J 1/00; A61J 7/0069;  
A61J 7/0076; A61J 2205/40

See application file for complete search history.

(56) **References Cited**

U.S. PATENT DOCUMENTS

6,029,808 A *	2/2000	Peck	.....	B65D 75/326
				206/210
D435,966 S *	1/2001	Duis	.....	D3/264
D511,893 S *	11/2005	Chou	.....	D3/263
D556,602 S *	12/2007	Clements	.....	D9/732
D556,603 S *	12/2007	Barnes	.....	D9/732
D686,922 S *	7/2013	Davis	.....	D9/732
D686,923 S *	7/2013	Aldridge	.....	D9/732
2004/0004008 A1 *	1/2004	Peck	.....	A45C 11/005
				206/5.1

\* cited by examiner

*Primary Examiner* — Derrick Holland

*Assistant Examiner* — Lauren Calve

(74) *Attorney, Agent, or Firm* — Victor Tsu

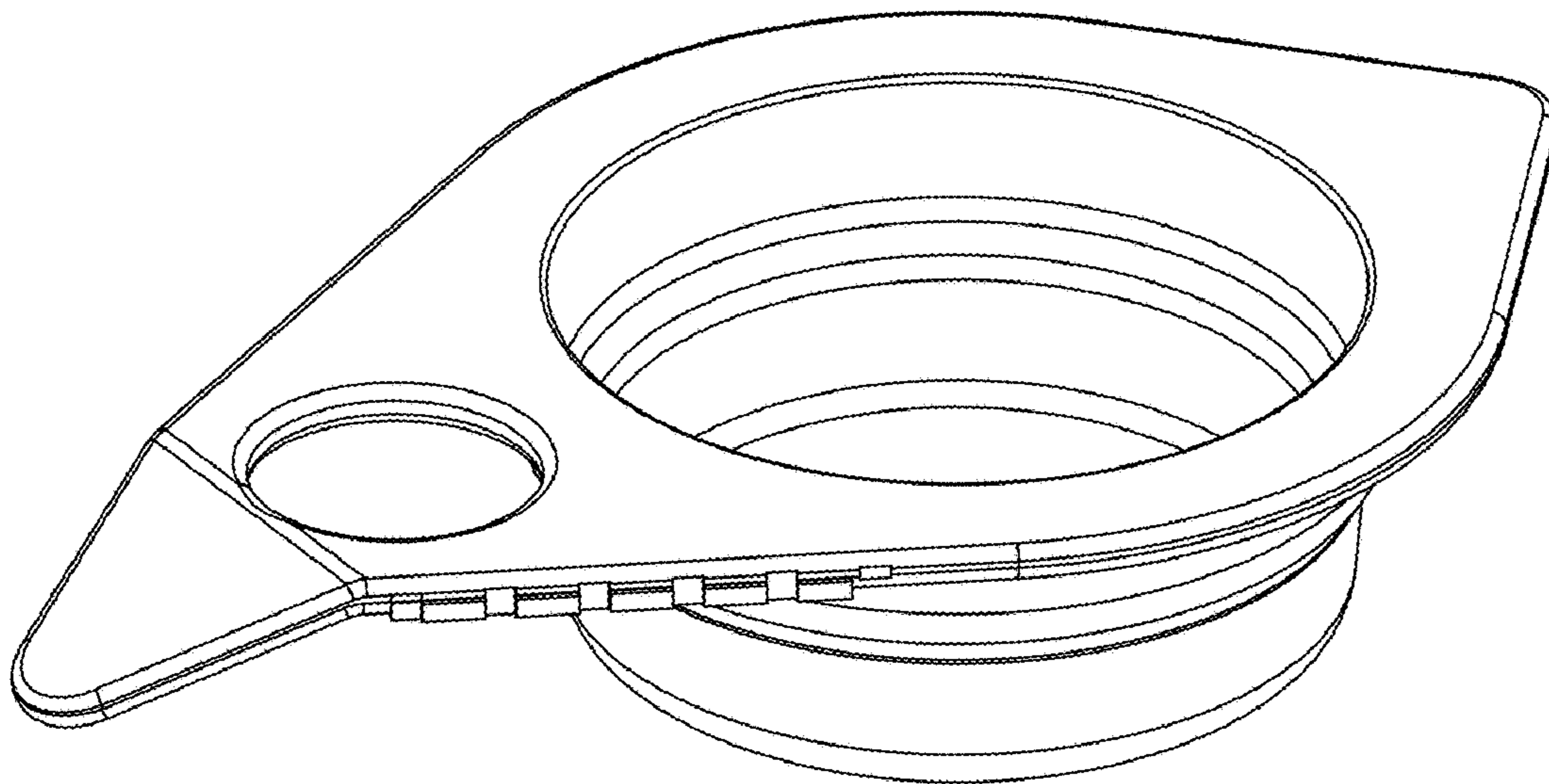
(57) **CLAIM**

We claim the ornamental design for a pharmaceutical pack-  
age, as shown and described.

**DESCRIPTION**

FIG. 1 is a perspective view of a pharmaceutical package  
showing our new design;  
FIG. 2 is a front elevational view thereof;  
FIG. 3 is a back elevational view thereof,  
FIG. 4 is a left side view thereof;  
FIG. 5 is a right side view thereof;  
FIG. 6 is a top plan view thereof; and,  
FIG. 7 is a bottom plan view thereof.

**1 Claim, 5 Drawing Sheets**



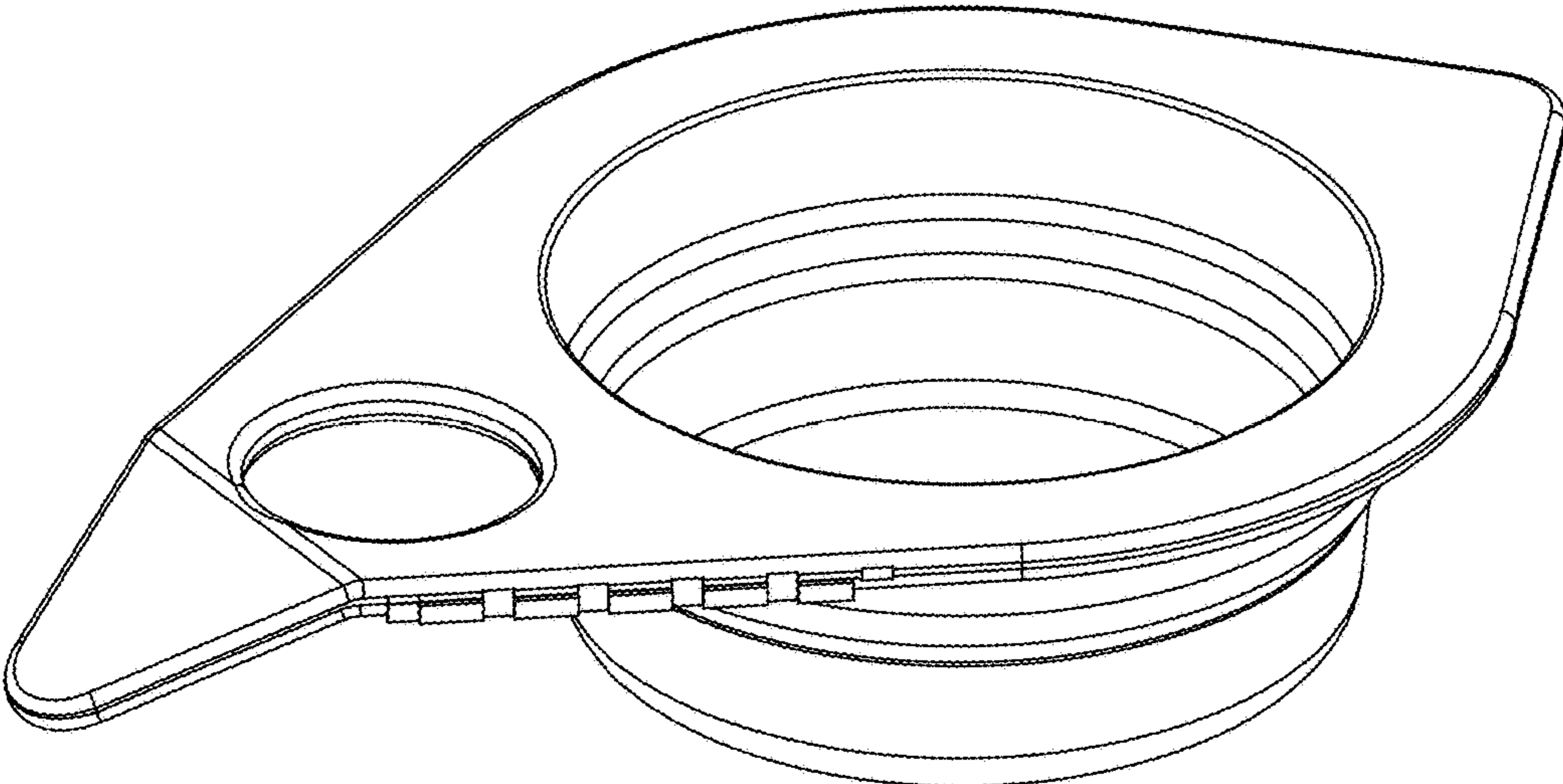


FIG. 1

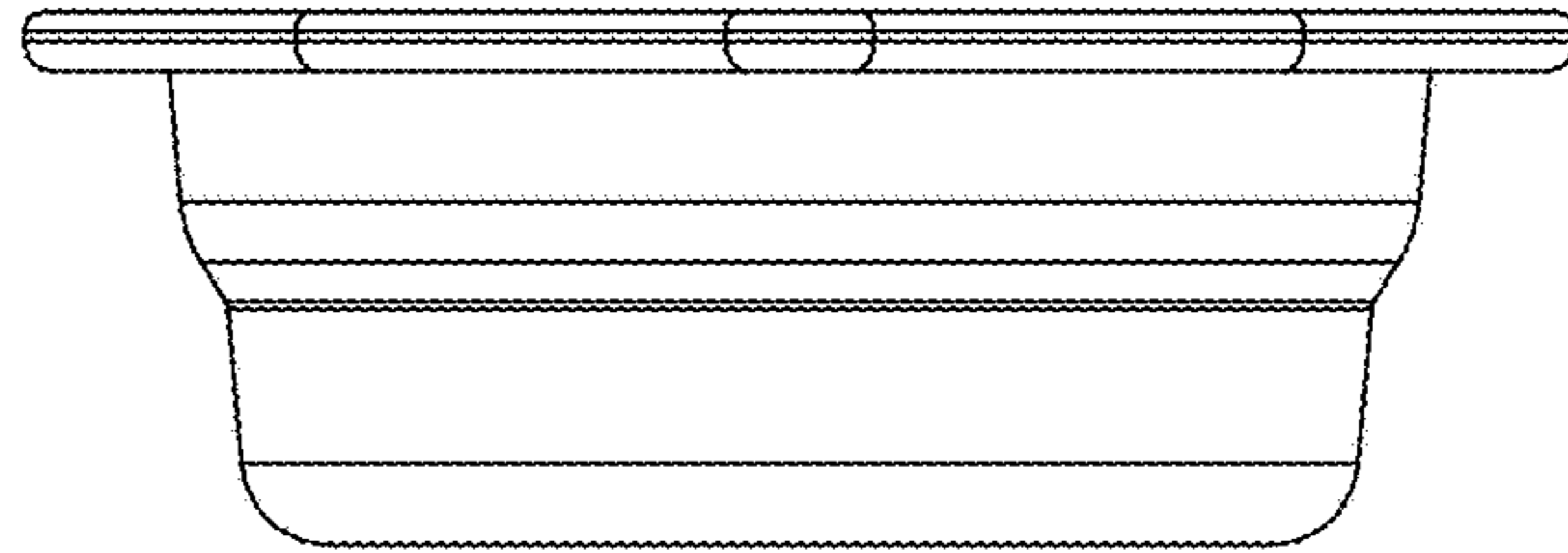


FIG. 2

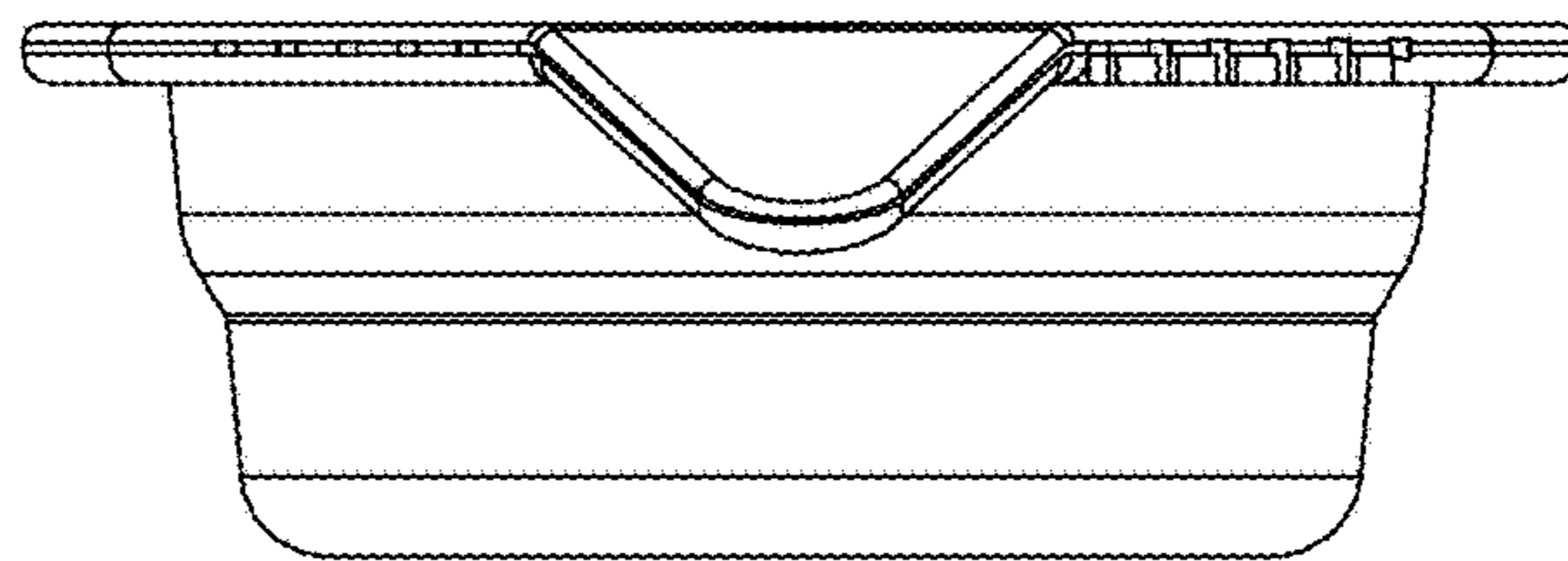


FIG. 3

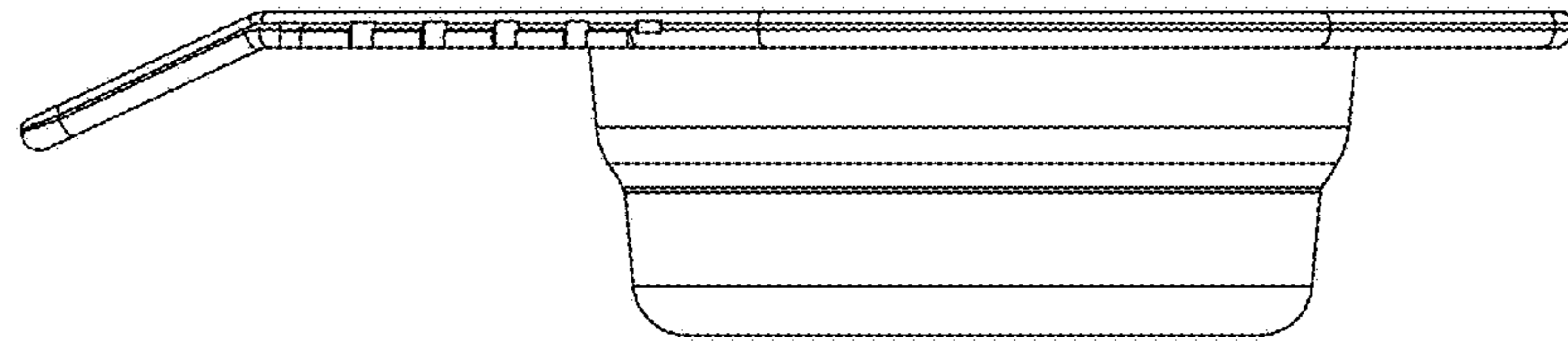


FIG. 4

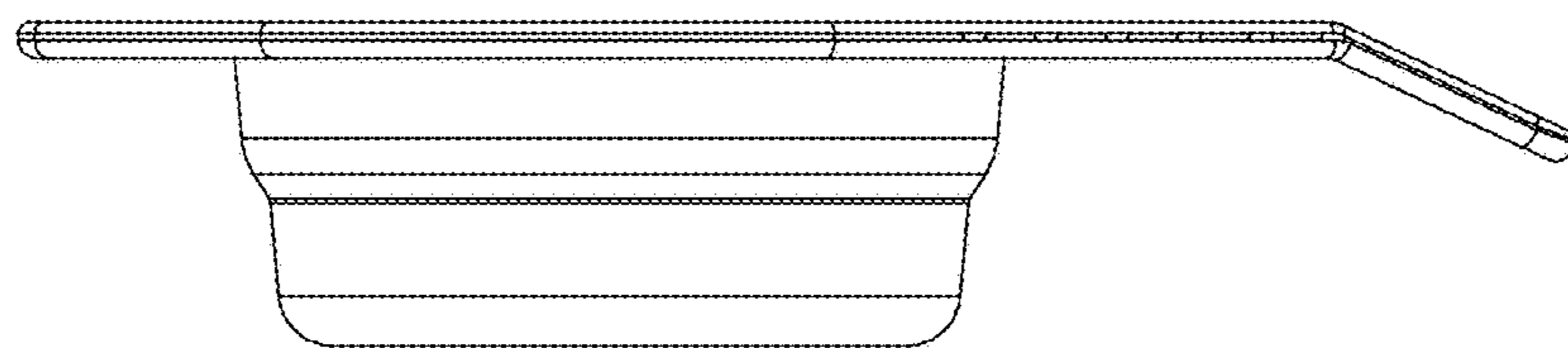


FIG. 5

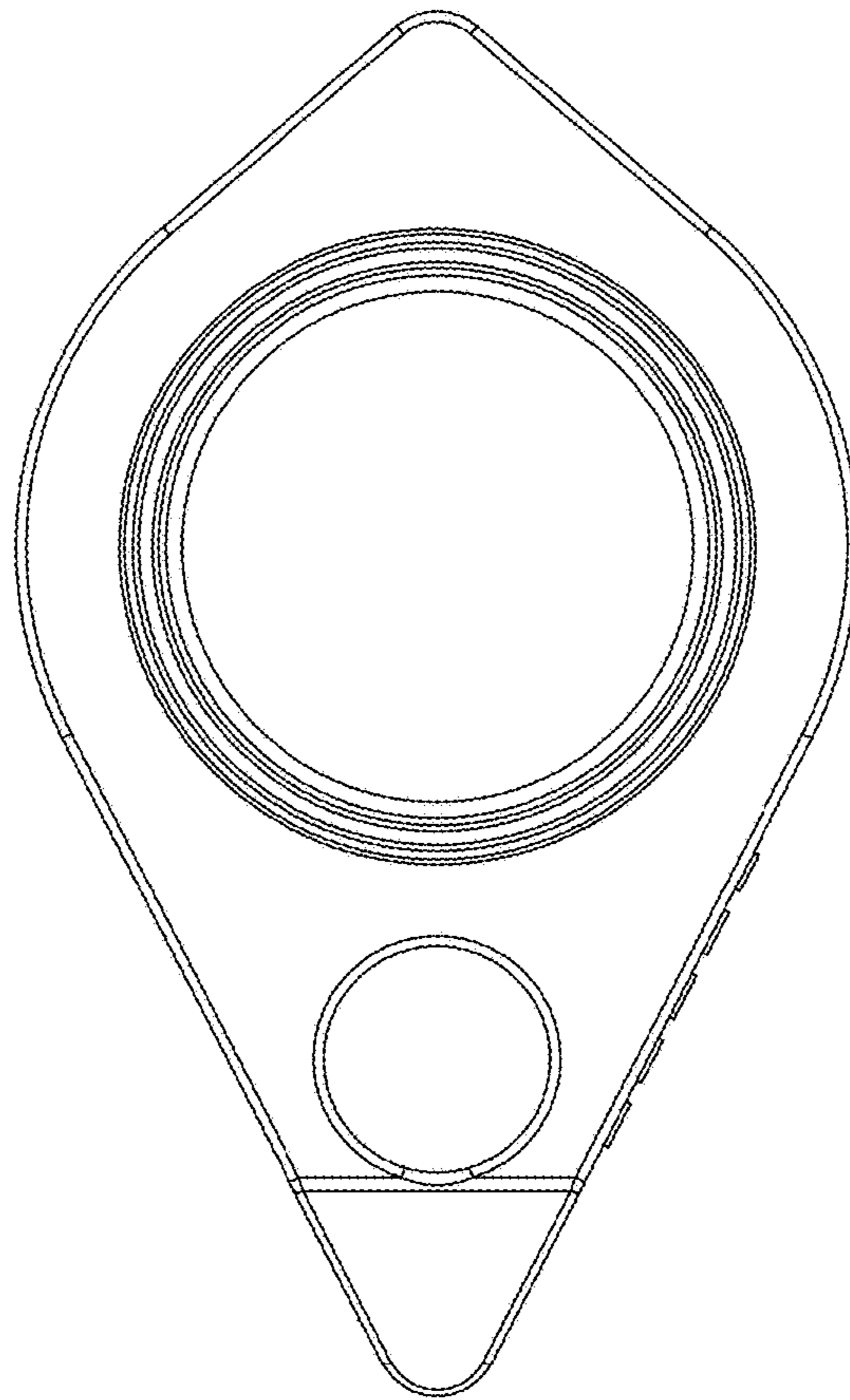


FIG. 6

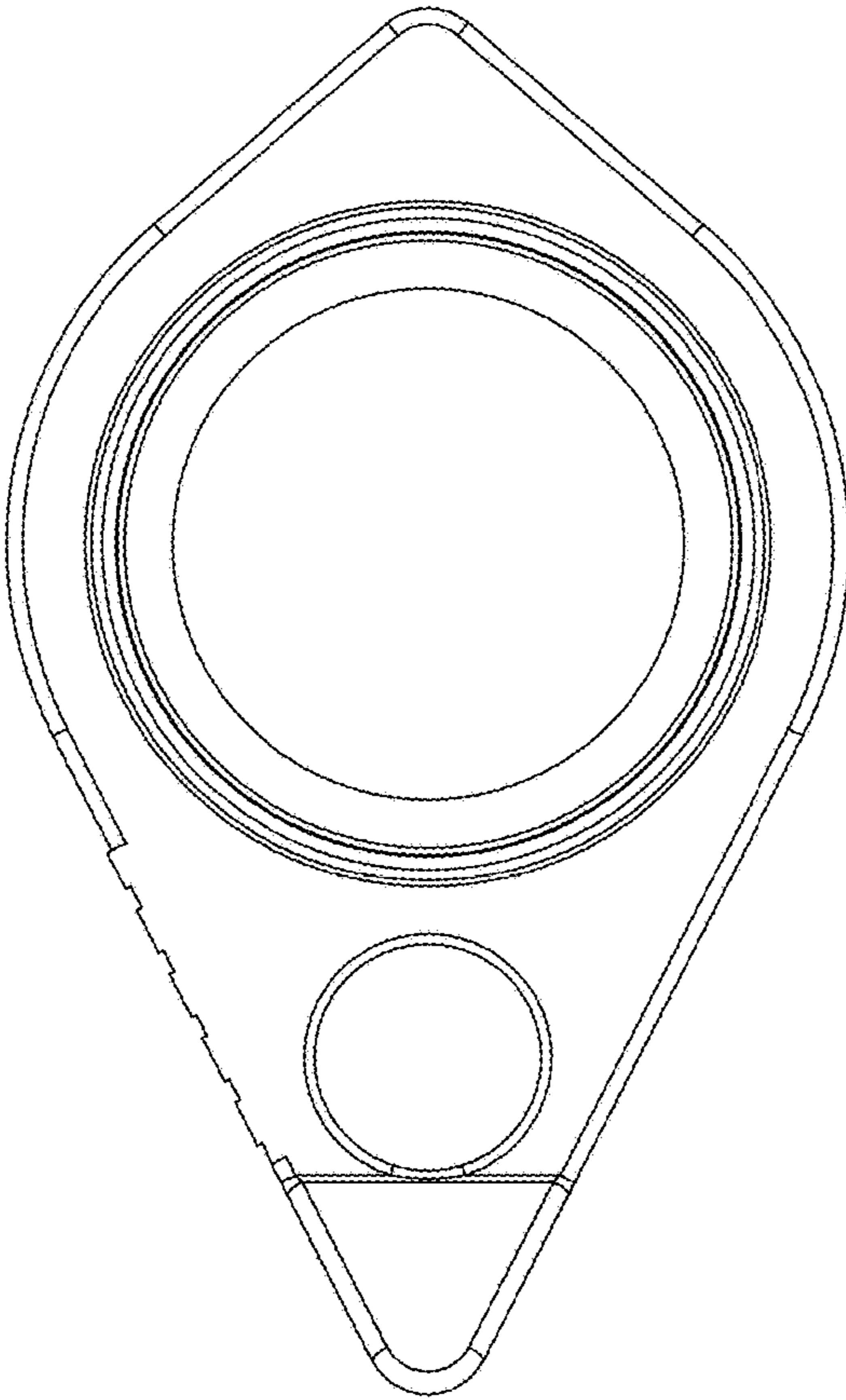


FIG. 7