



US00D781153S

(12) **United States Design Patent** (10) **Patent No.:** **US D781,153 S**
Blake et al. (45) **Date of Patent:** **** Mar. 14, 2017**

(54) **CONTAINER**

(71) Applicant: **Conopco, Inc.**, Englewood Cliffs, NJ (US)

(72) Inventors: **Stephen John Blake**, London (GB); **Josephine Telesca Daoust**, Englewood Cliffs, NJ (US); **Nicholas Hammitt**, Englewood Cliffs, NJ (US); **Peter James Hayes**, London (GB); **Benjamin James Lambert**, London (GB); **Gareth Frederick Jones**, Trumbull, CT (US)

(73) Assignee: **Conopco, Inc.**, Englewood Cliffs, NJ (US)

(**) Term: **14 Years**

(21) Appl. No.: **29/467,709**

(22) Filed: **Sep. 23, 2013**

(51) **LOC (10) Cl.** **09-01**

(52) **U.S. Cl.**
USPC **D9/529; D9/542; D9/543; D9/551; D9/558**

(58) **Field of Classification Search**
USPC **D9/516, 529-530, 542-543, 551-552, D9/558, 571, 574, 449, 521; 215/379, 215/381-382, 384; 220/660, 662, 669**
See application file for complete search history.

(56) **References Cited**

U.S. PATENT DOCUMENTS

D177,570 S	5/1956	James	
D199,766 S *	12/1964	Lorenzen	D9/542
D226,174 S *	1/1973	Osborn	D9/542
D234,911 S *	4/1975	Stevens	D9/529
D235,032 S *	4/1975	Atkins	D9/529 X
D305,300 S *	1/1990	Kraft	D9/542 X

D309,714 S *	8/1990	Biesecker	D9/542
D317,121 S *	5/1991	Crawford	D9/563 X
D333,435 S	2/1993	Blair	
D343,793 S *	2/1994	Crawford	D9/558 X
D352,242 S	11/1994	Crawford	
D408,740 S *	4/1999	Jones	D9/574 X
D412,664 S *	8/1999	Hirst	D9/529 X
D413,067 S *	8/1999	Haley	D9/539
D427,913 S *	7/2000	Davies	D9/449
D446,459 S *	8/2001	Weber	D9/542 X
D480,003 S *	9/2003	Blades	D9/529
D503,889 S	4/2005	Yeung	

(Continued)

OTHER PUBLICATIONS

Hugo Boss-Skin packaging, far left pack (photo), Apr. 2, 2008 (online), [retrieved on Jan. 4, 2016]. Retrieved from the Internet <http://www.packagingoftheworld.com/2008/04/hugo-boss-skin.html>.

(Continued)

Primary Examiner — Carol P Rademaker

(74) *Attorney, Agent, or Firm* — Ronald A. Koatz

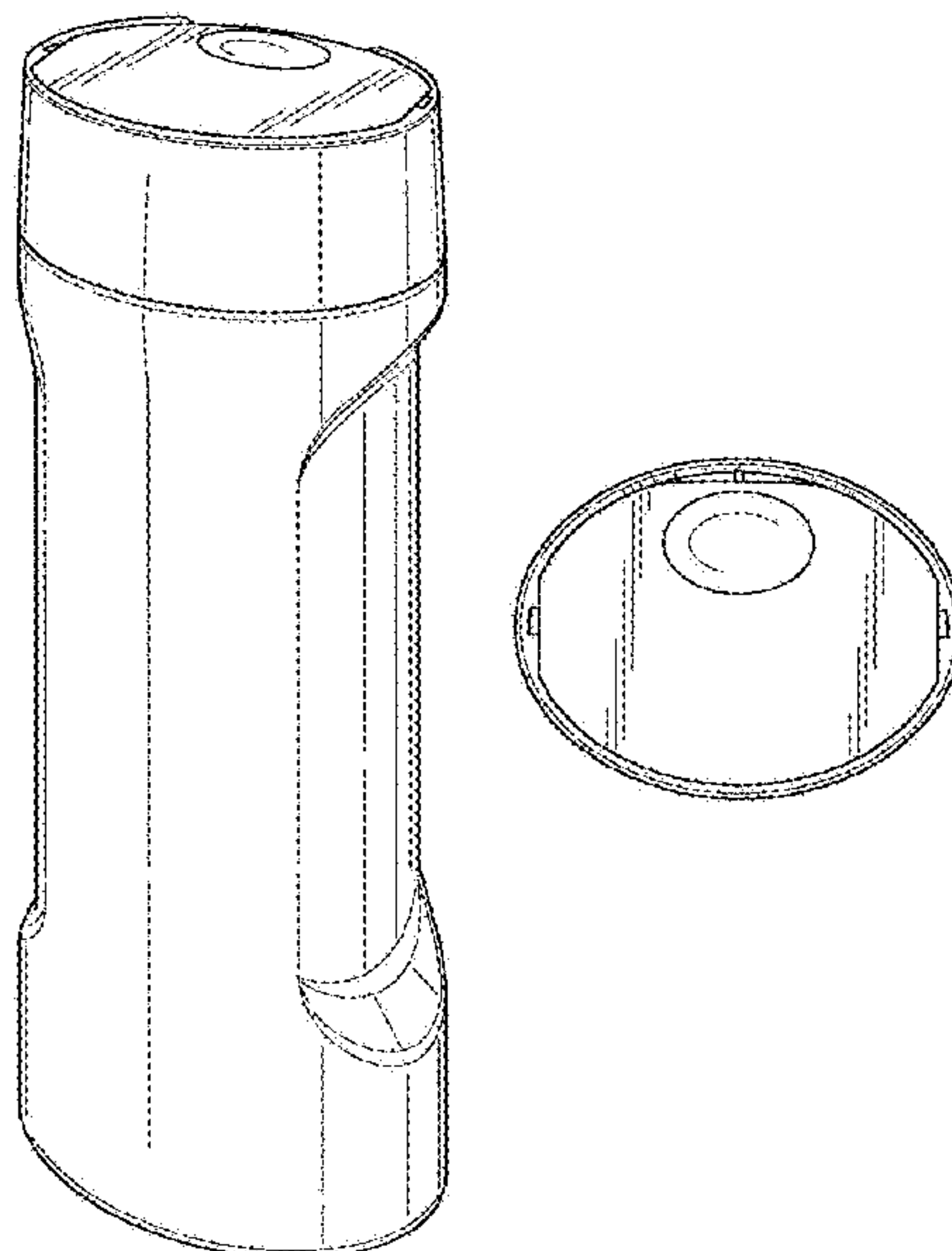
(57) **CLAIM**

The ornamental design for a container, as shown and described.

DESCRIPTION

FIG. 1 is a top front, right side perspective view of our container;
FIG. 2 is a front elevational view thereof;
FIG. 3 is a rear elevational view thereof;
FIG. 4 is a left side elevational view thereof;
FIG. 5 is a right side elevational view thereof;
FIG. 6 is a top plan view thereof; and,
FIG. 7 is a bottom plan view thereof.

1 Claim, 3 Drawing Sheets



(56)

References Cited

U.S. PATENT DOCUMENTS

D529,814 S * 10/2006 Winkler D9/563
 D532,312 S * 11/2006 Conway D9/551 X
 D537,349 S * 2/2007 Ball D9/521
 D537,355 S * 2/2007 Brauner D9/563 X
 D540,176 S * 4/2007 Flurer D9/447
 D546,189 S 7/2007 Costello
 D561,035 S * 2/2008 Leslie D9/537
 D578,394 S * 10/2008 Shurtleff D9/516
 D585,751 S * 2/2009 Dombrowski D9/529
 D593,866 S * 6/2009 Dombrowski D9/542
 D599,953 S 9/2009 Gibson
 D609,097 S 2/2010 Almstead, Jr.
 D641,635 S * 7/2011 Wang Treadway D9/558 X
 D641,636 S * 7/2011 Wang Treadway D9/558 X
 D651,519 S 1/2012 Gibson
 D662,422 S * 6/2012 Avakian D9/435
 D669,782 S 10/2012 Hoffman
 D669,783 S 10/2012 Hoffman
 D712,261 S 9/2014 Humm

OTHER PUBLICATIONS

Hugo Boss-Skin packaging, third pack from left (photo), Apr. 2, 2008 (online), [retrieved on Jan. 4, 2016]. Retrieved from the Internet <http://www.packagingoftheworld.com/2008/04/hugo-boss-skin.html>.
 Hugo Boss-Skin packaging, second pack from right (photo), Apr. 2, 2008 (online), [retrieved on Jan. 4, 2016]. Retrieved from the Internet <http://www.packagingoftheworld.com/2008/04/hugo-boss-skin.html>.
 Hugo Boss Skin Shine Control gel moisturizer pack (photo) from Covin, Tim, "A Seismic Shift", Packaging Today, Apr. 2, 2009 (online), [retrieved on Jan. 4, 2016]. Retrieved from the Internet <http://www.packagingtoday.co.uk/features/featurea-seismic-shift/> and http://www.packagingtoday.co.uk/uploads/pictures/web/e/v/e/boss_pump_3q_300dpi.jpg.

* cited by examiner

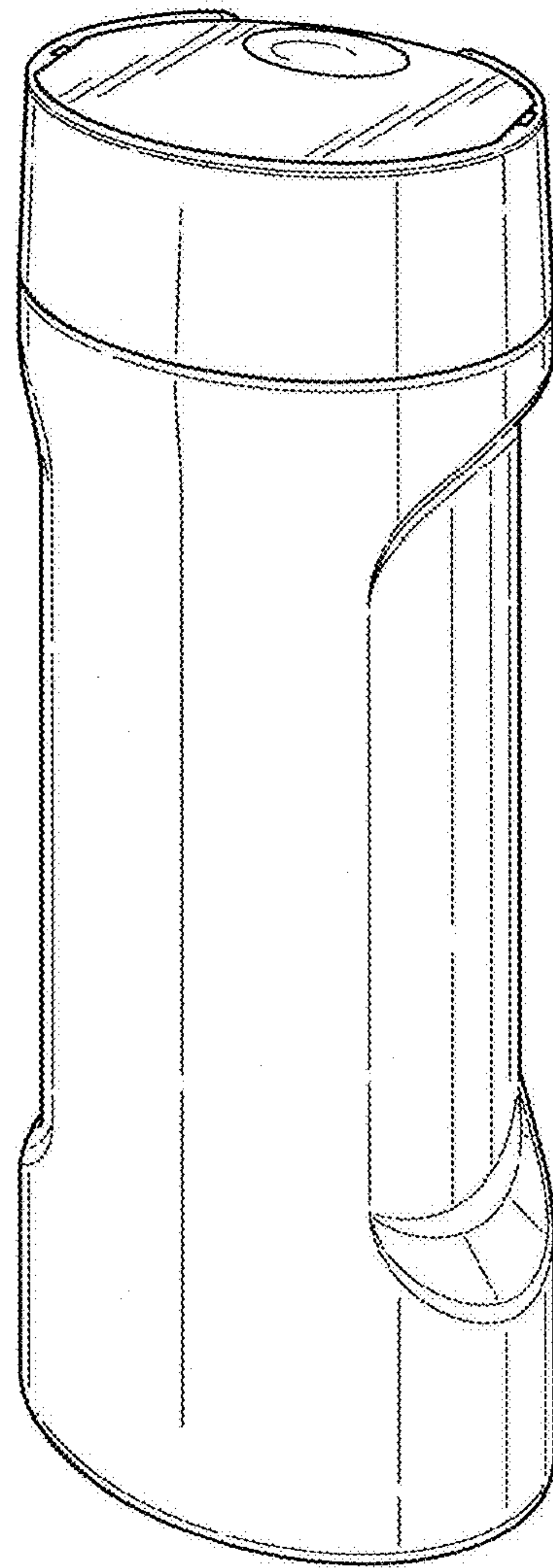


Fig. 1

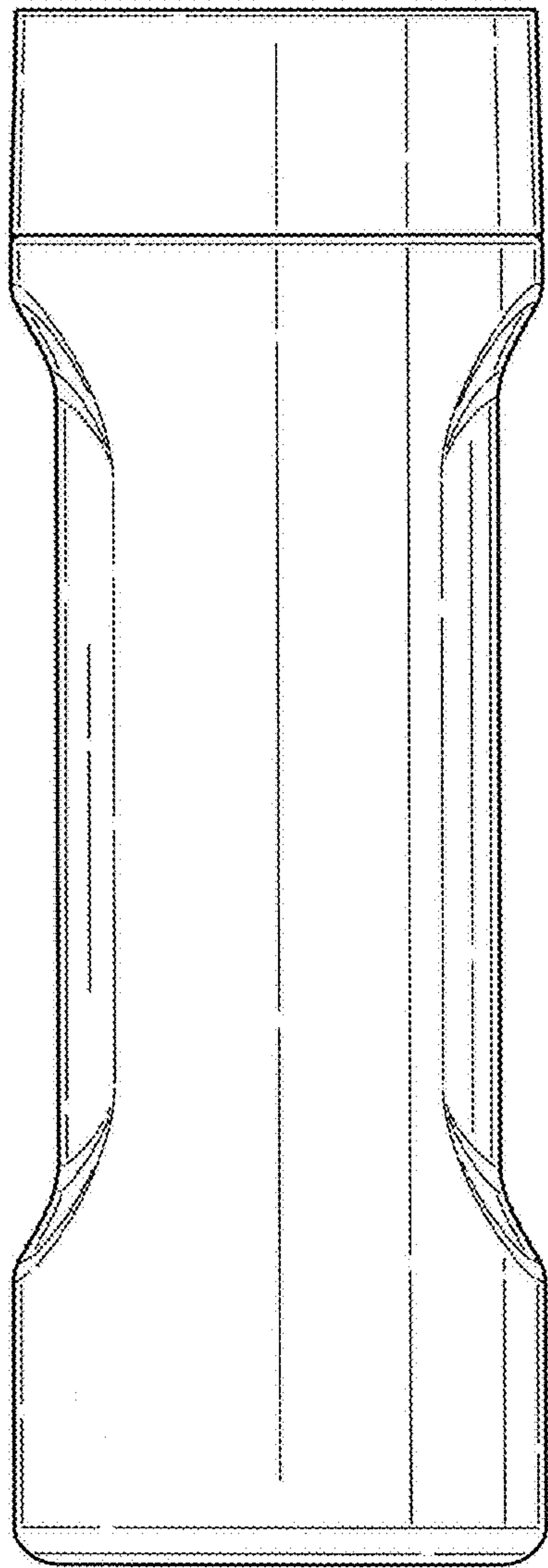


Fig. 2

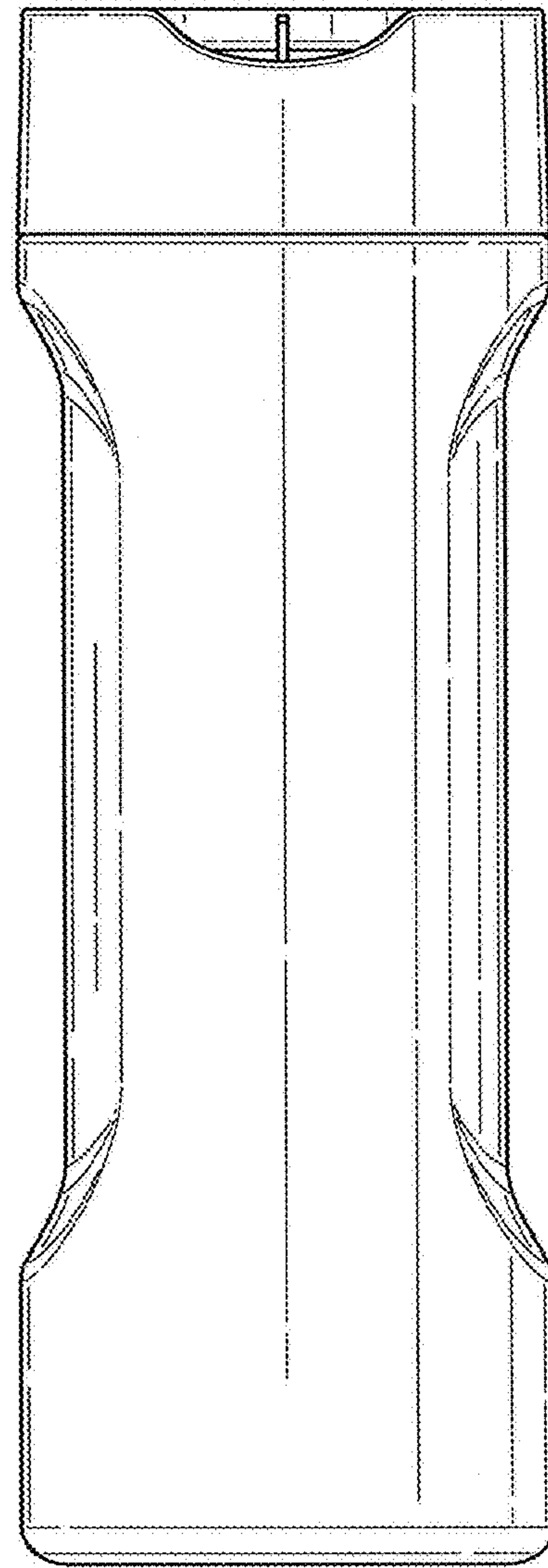


Fig. 3

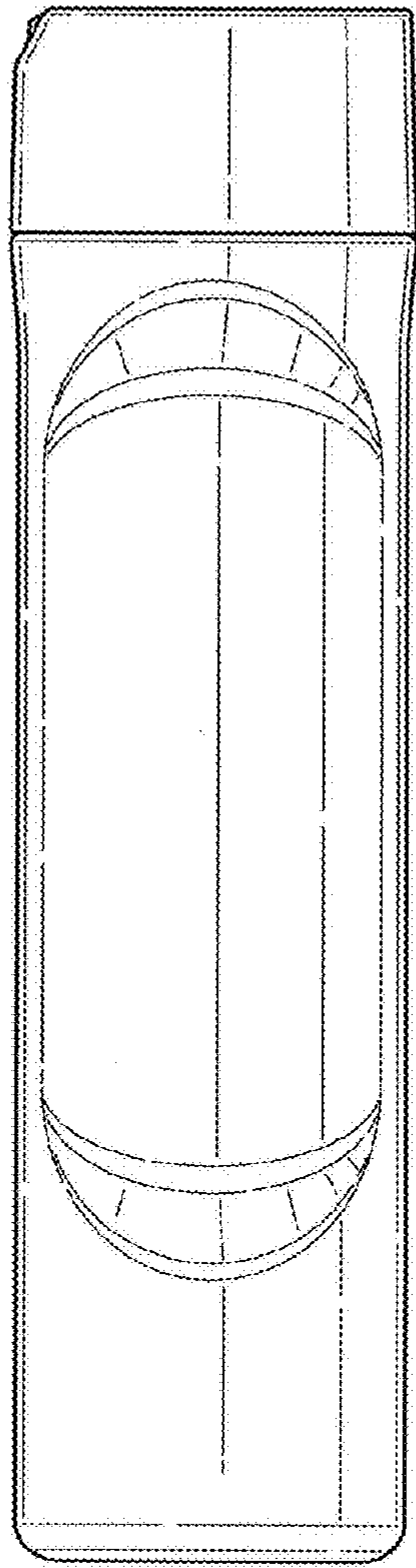


Fig. 4

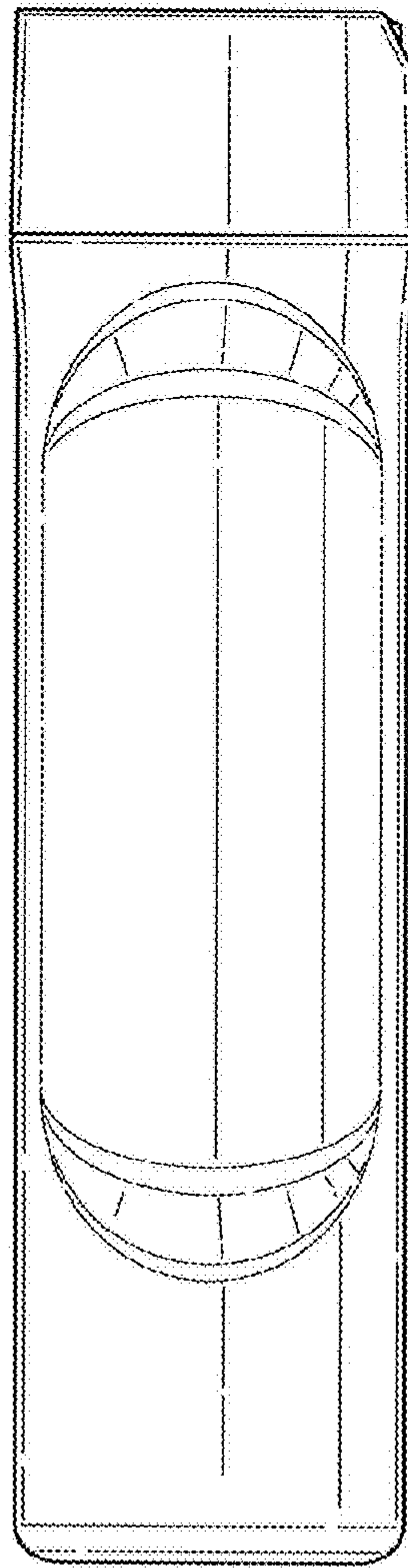


Fig. 5

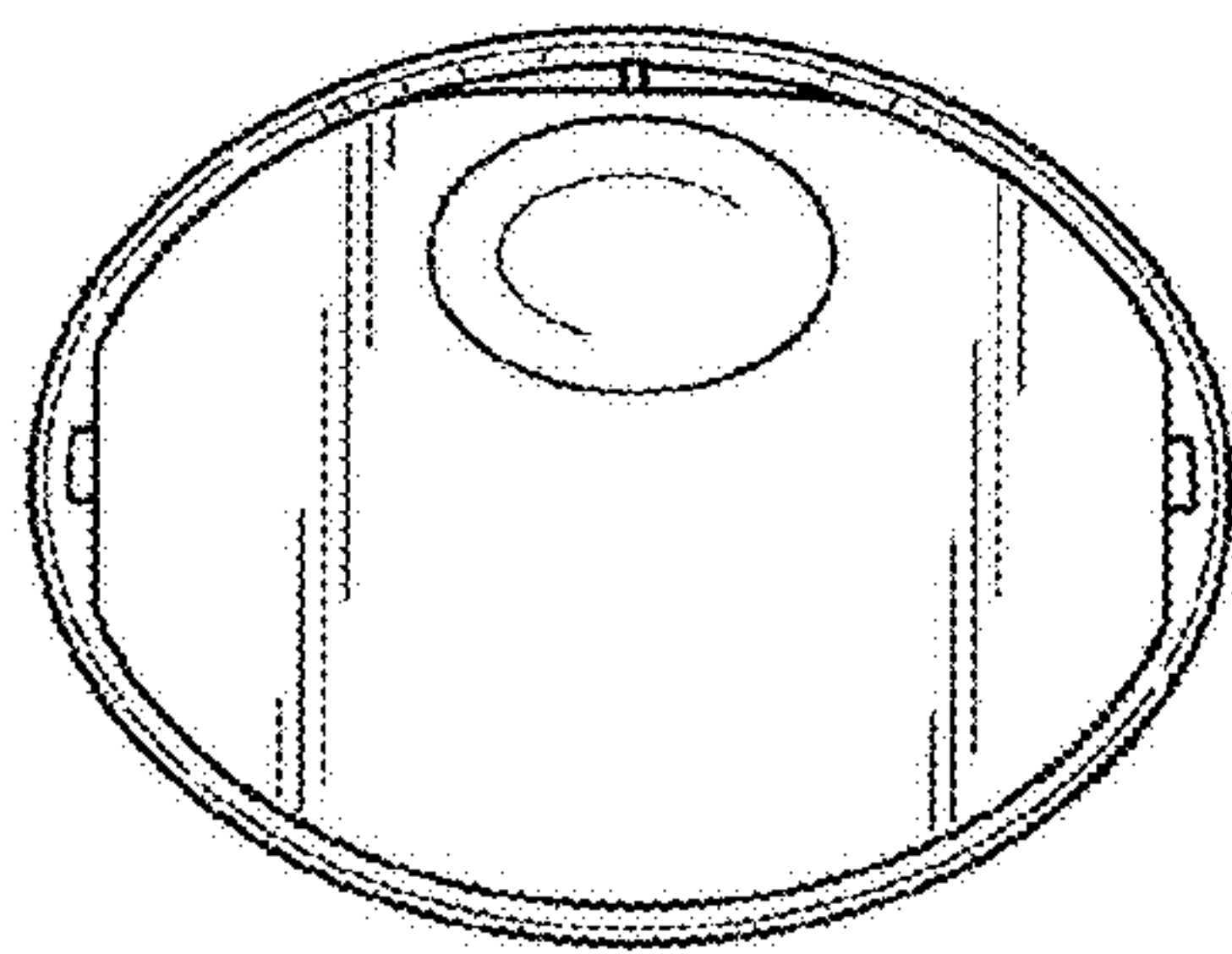


Fig. 6

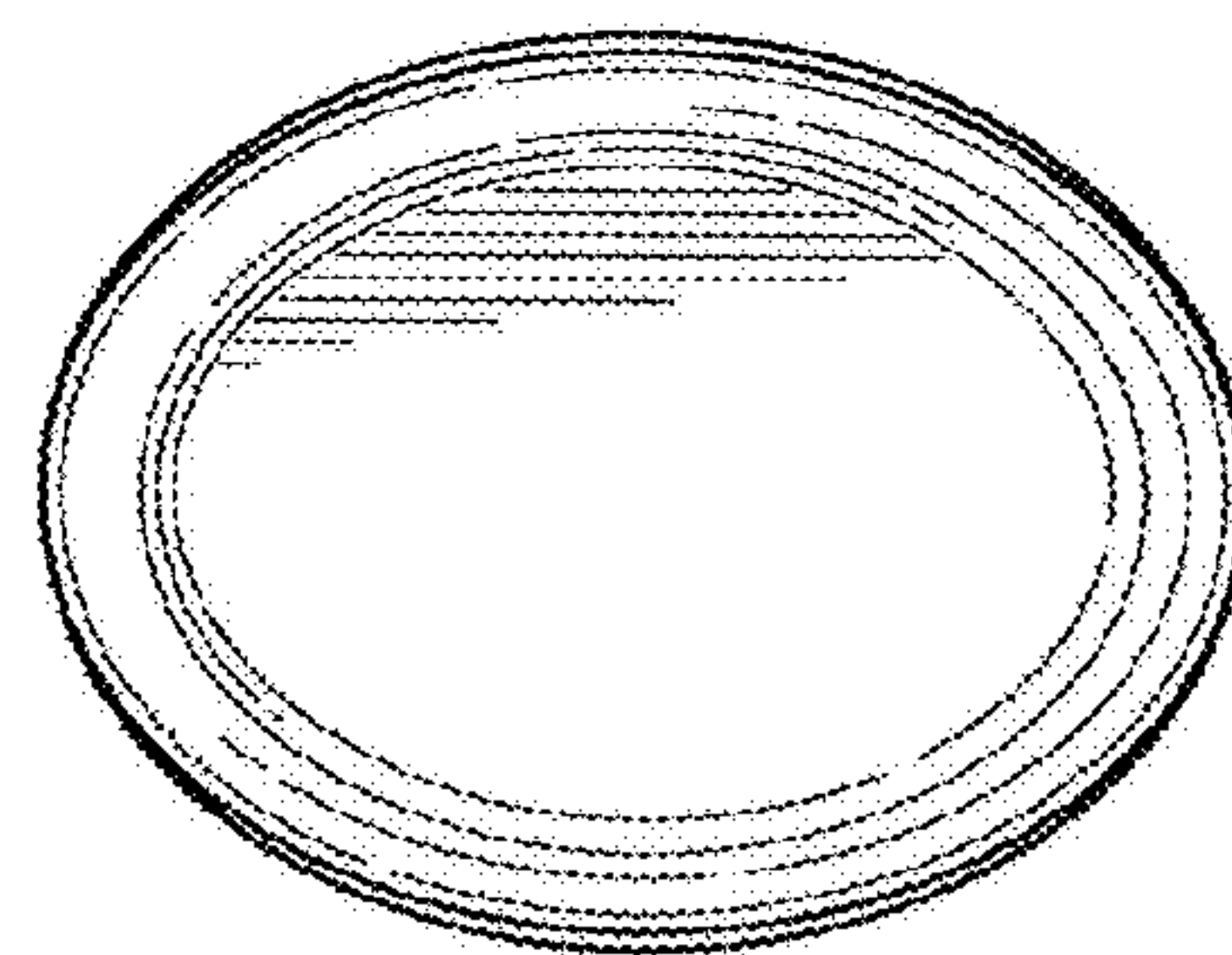


Fig. 7