



US00D781151S

(12) **United States Design Patent**  
**Lerman**

(10) **Patent No.:** **US D781,151 S**  
(45) **Date of Patent:** **\*\* Mar. 14, 2017**

- (54) **JAR**
- (71) Applicant: **eBottles.com**, Jupiter, FL (US)
- (72) Inventor: **Robert Lerman**, Jupiter, FL (US)
- (73) Assignee: **eBottles.com**, Jupiter, FL (US)
- (\*\*) Term: **15 Years**
- (21) Appl. No.: **29/567,402**
- (22) Filed: **Jun. 8, 2016**
- (51) **LOC (10) Cl.** ..... **09-01**
- (52) **U.S. Cl.**  
USPC ..... **D9/500**
- (58) **Field of Classification Search**  
USPC ..... D9/500, 503-4, 549, 558, 715; D3/264;  
D24/224  
CPC ..... B65D 1/00; B65D 1/02; B65D 1/0207;  
B65D 1/0223; B65D 1/10; B65D 23/00;  
B65D 2501/00; B65D 2501/0009  
See application file for complete search history.

(56) **References Cited**

**U.S. PATENT DOCUMENTS**

D34,061 S *	2/1901	Scattergood	.....	D19/84
3,311,248 A *	3/1967	Marchant	.....	A45D 40/0068 215/13.1
D237,361 S *	10/1975	Picker	.....	D9/503
4,020,965 A	5/1977	Northup		
5,197,616 A	3/1993	Buono		
D441,284 S *	5/2001	Saur	.....	D3/264
D442,864 S	5/2001	Davies		
D453,473 S	2/2002	Del Bianco		
D493,721 S *	8/2004	Puigbo	.....	D28/76
D506,128 S *	6/2005	Foi	.....	D9/715
D519,837 S	5/2006	Sturk et al.		
D554,367 S *	11/2007	Chou	.....	D3/264
D574,240 S	8/2008	Szczesniak		

D578,891 S *	10/2008	Canamasas Puigbo	.....	D9/500
7,527,159 B2	5/2009	Brozell		
7,815,061 B1	10/2010	Robinson et al.		
D633,386 S	3/2011	Taber et al.		
D634,202 S *	3/2011	Zamberlan	.....	D9/504
8,205,761 B2	6/2012	Stull, Sr. et al.		

(Continued)

**FOREIGN PATENT DOCUMENTS**

FR	2720376	12/1995
JP	001158455	6/2001

(Continued)

**OTHER PUBLICATIONS**

Van Blarcom Closures Inc., Two-Piece Plastic; Saf-Cap IIIA, ASTM Type 1A, Oct. 20, 2004.

(Continued)

*Primary Examiner* — Dana L Meyrow  
(74) *Attorney, Agent, or Firm* — Gottlieb, Rackman & Reisman, PC

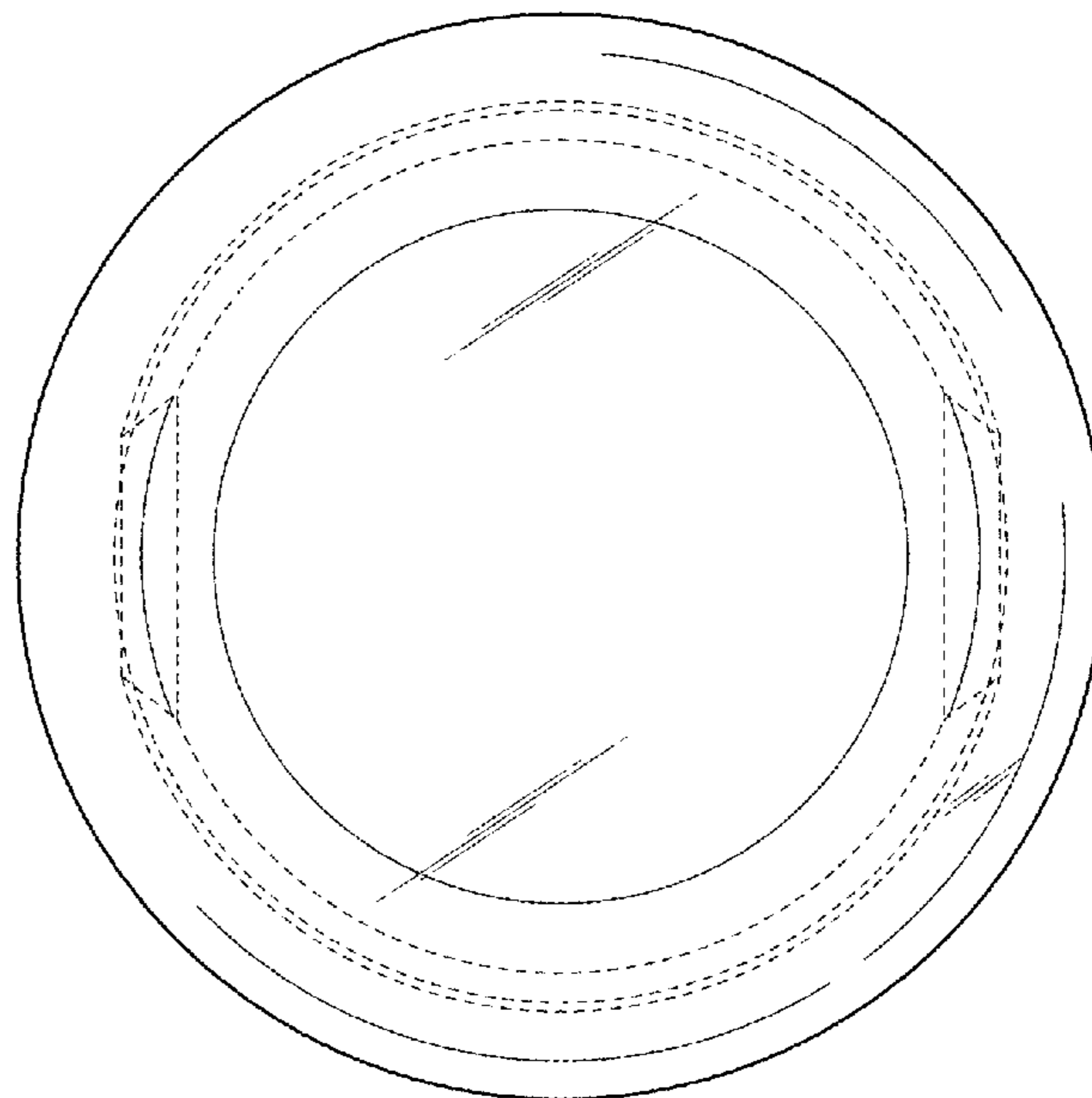
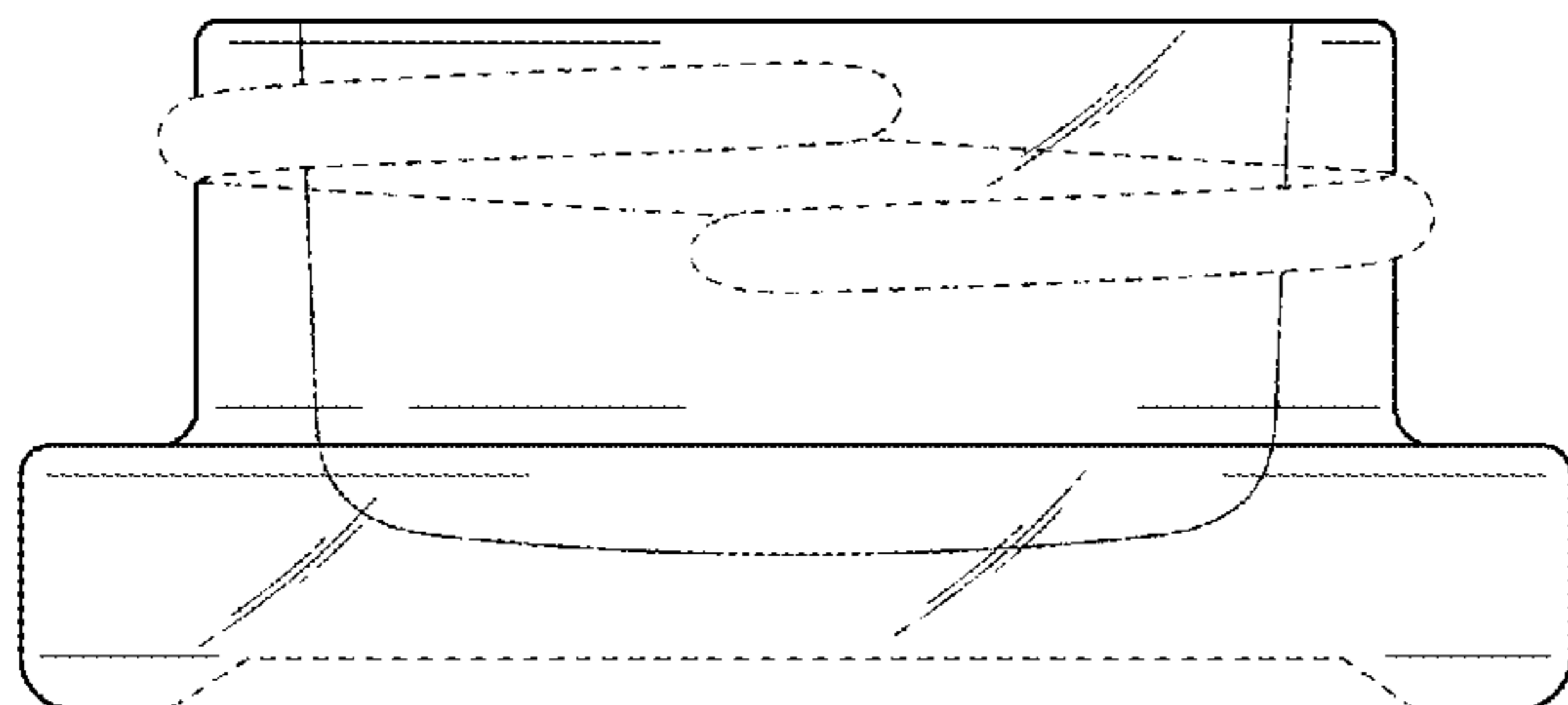
(57) **CLAIM**

The ornamental design for a jar, as shown and described.

**DESCRIPTION**

FIG. 1 is a top, front, right side perspective view of a jar showing my new design;  
 FIG. 2 is a front elevation view thereof;  
 FIG. 3 is a rear elevation view thereof;  
 FIG. 4 is a right side elevation view thereof;  
 FIG. 5 is a left side elevation view thereof;  
 FIG. 6 is a top plan view thereof; and,  
 FIG. 7 is a bottom plan view thereof.  
 The broken lines shown in the drawings are included for the purpose of illustrating portions of the article that form no part of the claimed design.

**1 Claim, 4 Drawing Sheets**



(56)

References Cited

OTHER PUBLICATIONS

U.S. PATENT DOCUMENTS

D679,990	S	*	4/2013	O'Brien .....	D9/428
D687,299	S		8/2013	Peykoff et al.	
8,672,158	B2		3/2014	Taber et al.	
9,045,265	B2		6/2015	Adamczak	
2005/0074528	A1		4/2005	Servaux et al.	
2008/0308518	A1		12/2008	Sprishen	
2008/0314900	A1		12/2008	Biesecker et al.	
2011/0147334	A1		6/2011	Mettu et al.	
2015/0076103	A1		3/2015	Koller et al.	
2015/0122767	A1		5/2015	Mettu et al.	
2015/0122769	A1		5/2015	Taber et al.	
2015/0298866	A1		10/2015	Hagen	
2016/0030285	A1		2/2016	Miceli et al.	

FOREIGN PATENT DOCUMENTS

SI	9650055-0001	10/1996
TR	2005-01421	7/2005
WO	8302763	8/1983

Alameda Packaging, Child Resistant Plastic Caps; [https://www.alamedapackaging.com/Catalog/Caps/Plastic\\_Caps/NonDispensing\\_Caps/181/Child\\_Resistant\\_Plastic\\_Caps.html](https://www.alamedapackaging.com/Catalog/Caps/Plastic_Caps/NonDispensing_Caps/181/Child_Resistant_Plastic_Caps.html); Oct. 3, 2014.

SKS Science, White Child Resistant PE Lined "Push Down" Caps, [https://www.sks-science.com/closures-p-2756\\_html](https://www.sks-science.com/closures-p-2756_html); Aug. 10, 2005.

Holistic Packaging Company <http://holisticpackaging.com/>, Apr. 29, 2016.

DHgate.com, Clear color 5ml glass jar tempered glass storage jars dab wax jar container oil concentrate & cosmetic cream container, <http://www.dhgate.com/product/clear-color-5ml-glass-jar-tempered-glass/238531495.html>; Apr. 29, 2016.

\* cited by examiner

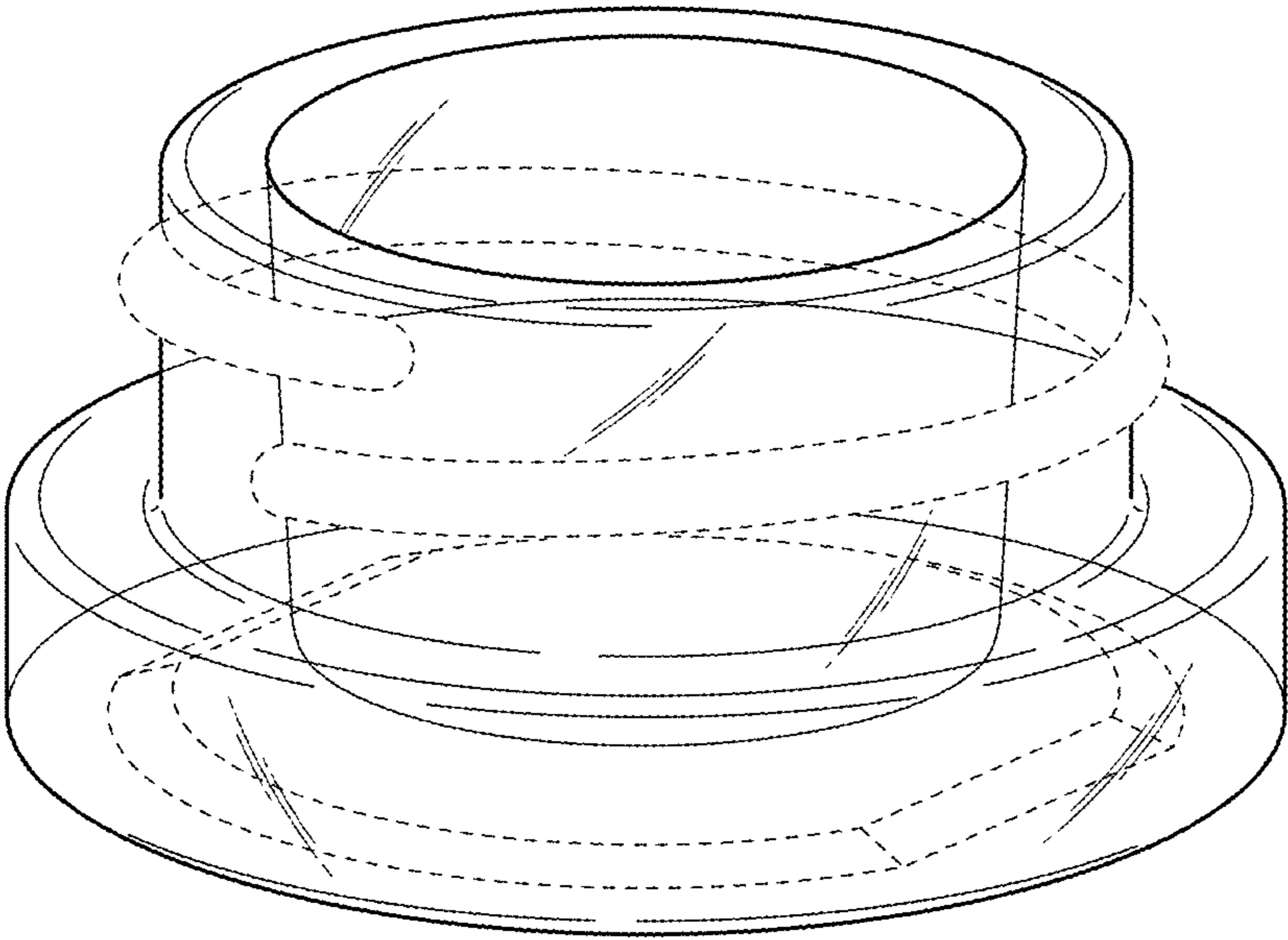


FIG. 1

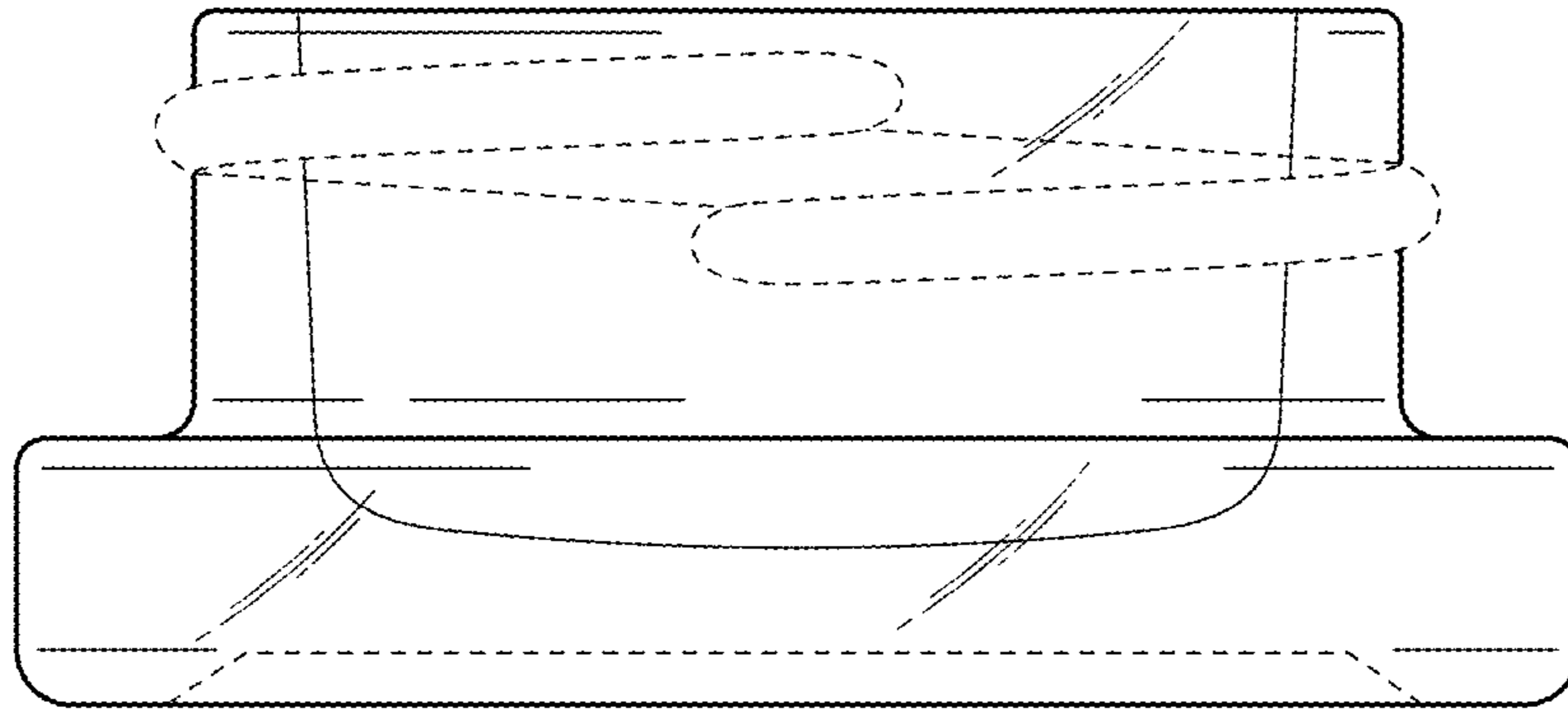


FIG. 2

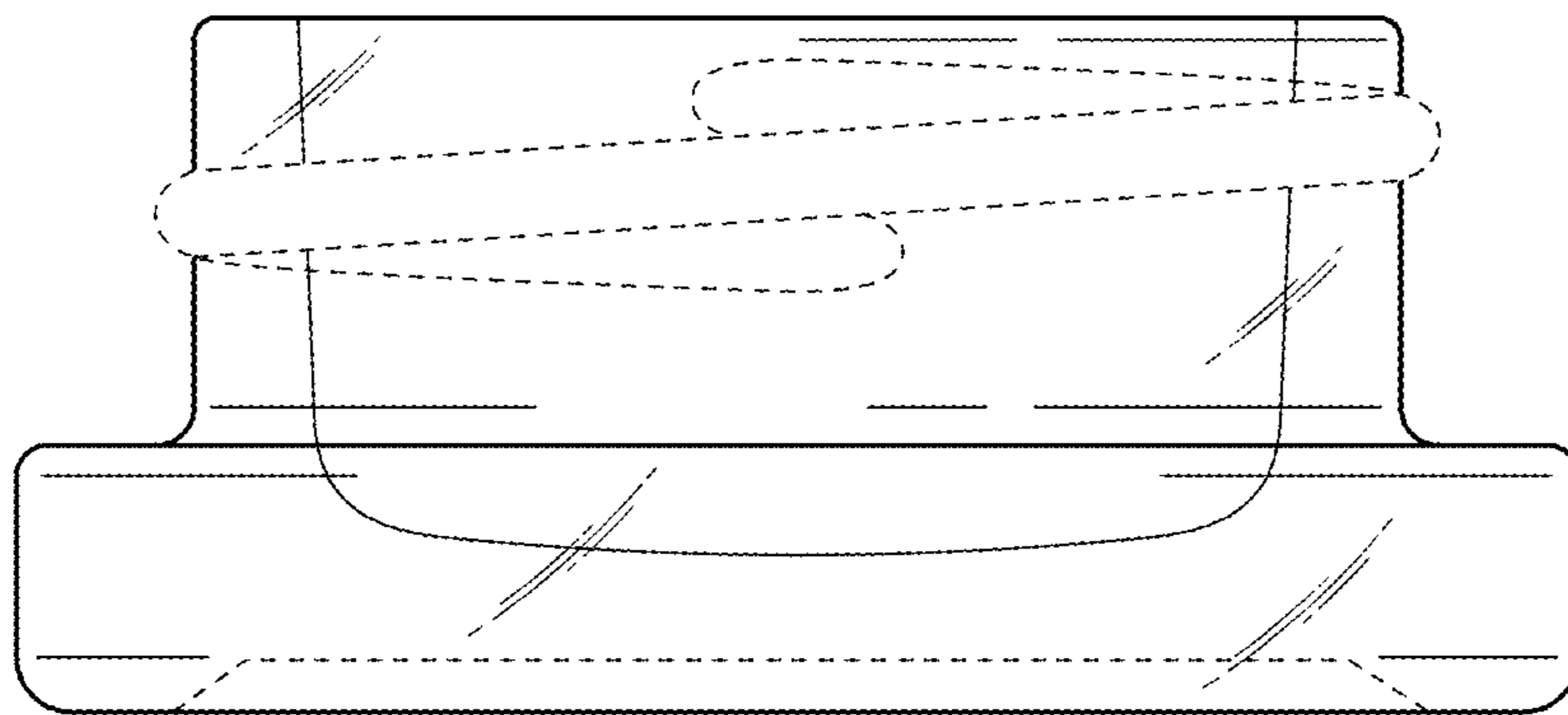


FIG. 3

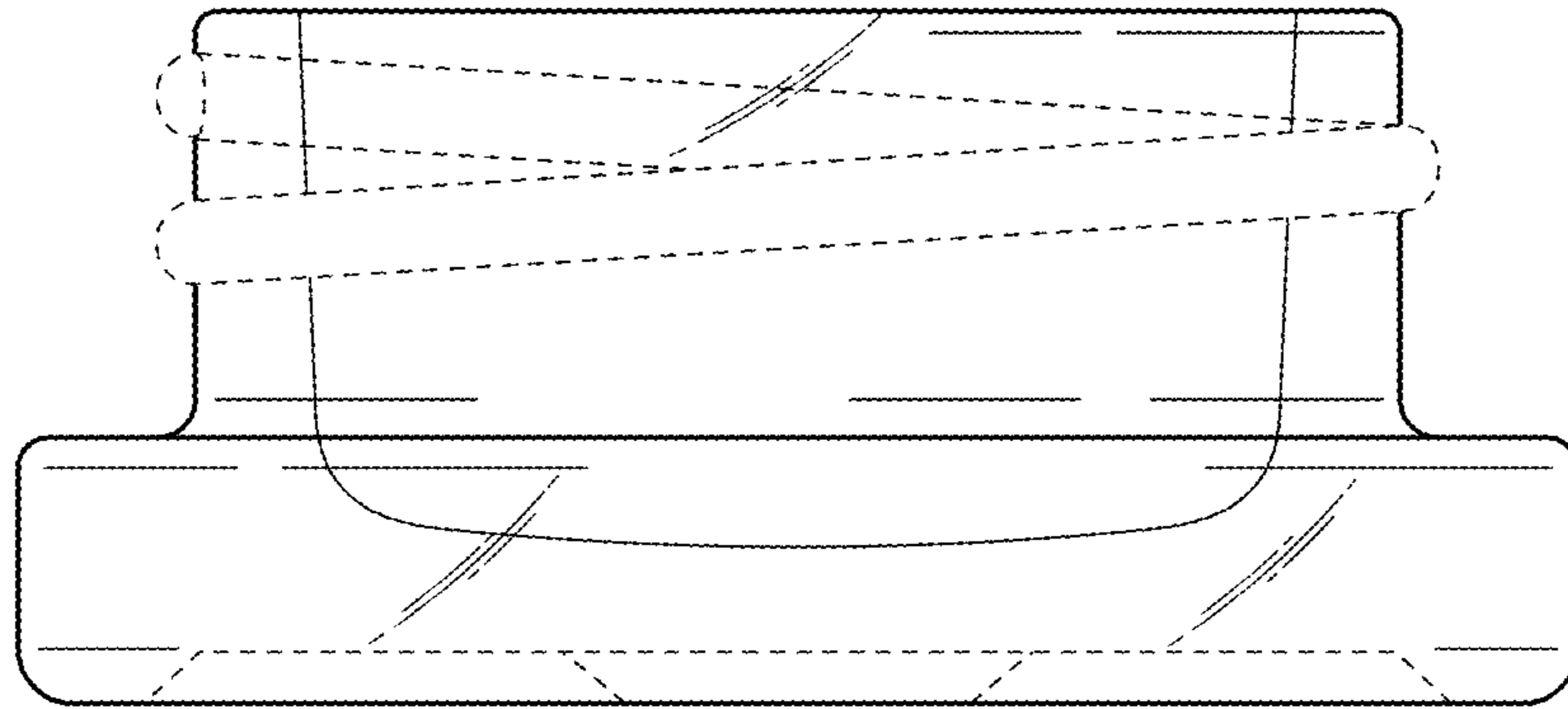


FIG. 4

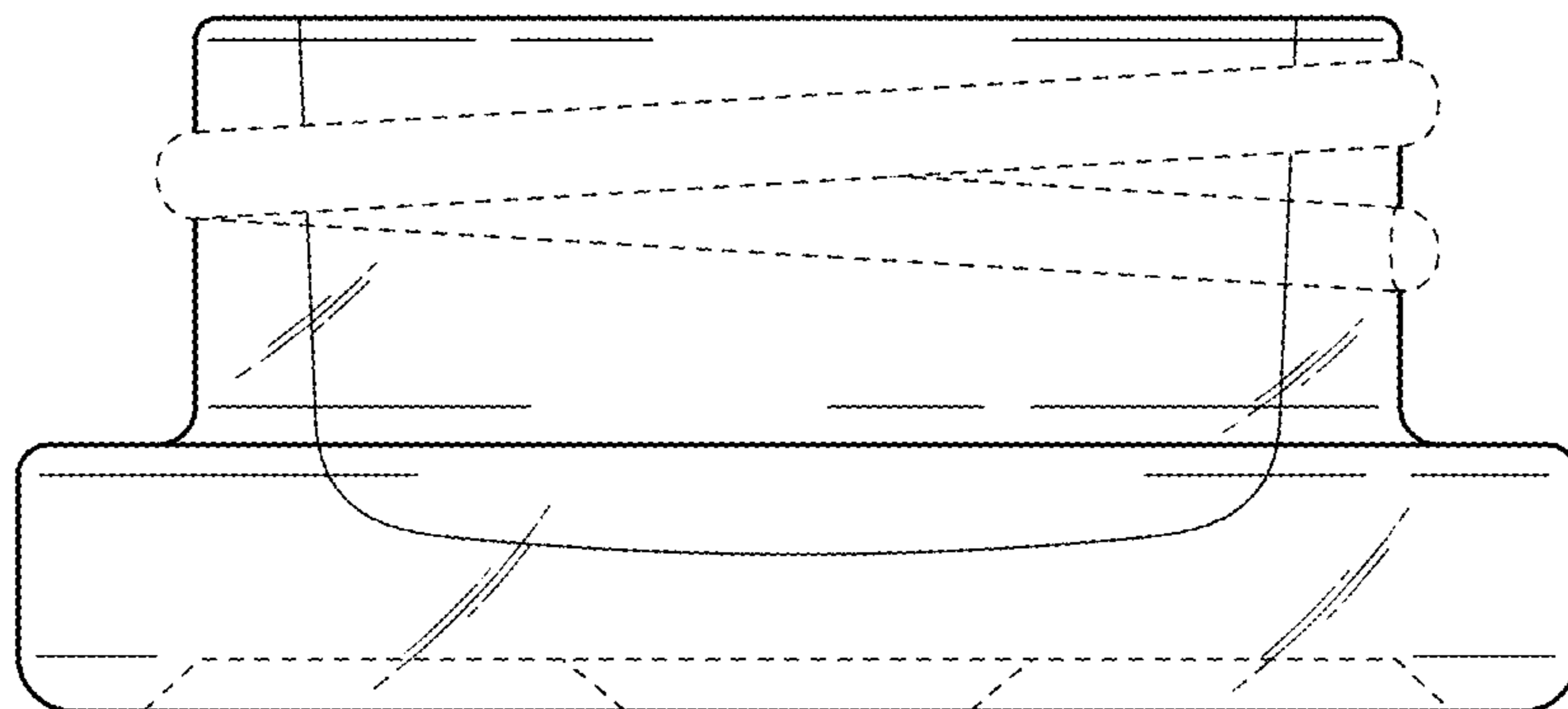


FIG. 5

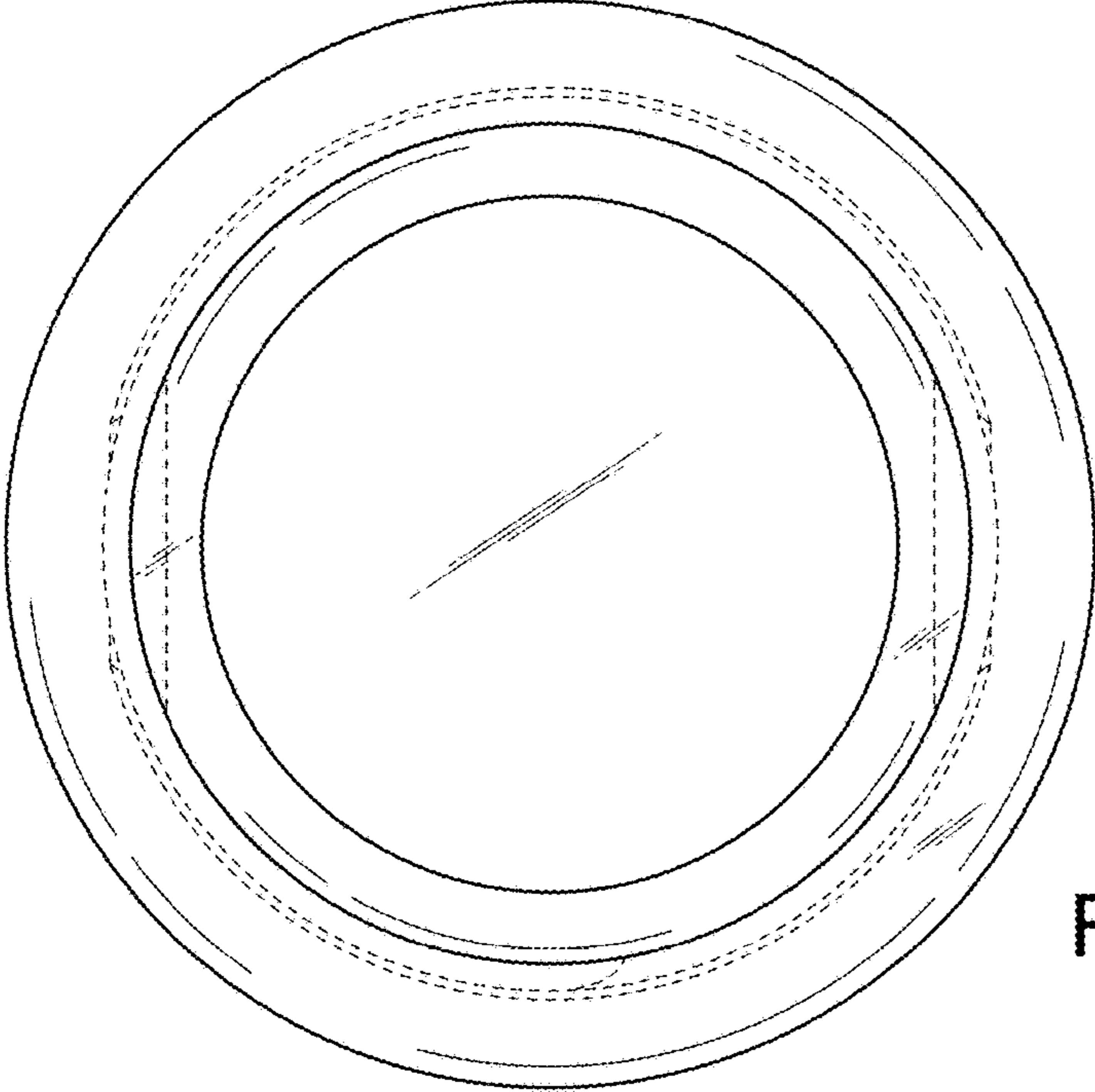


FIG. 6

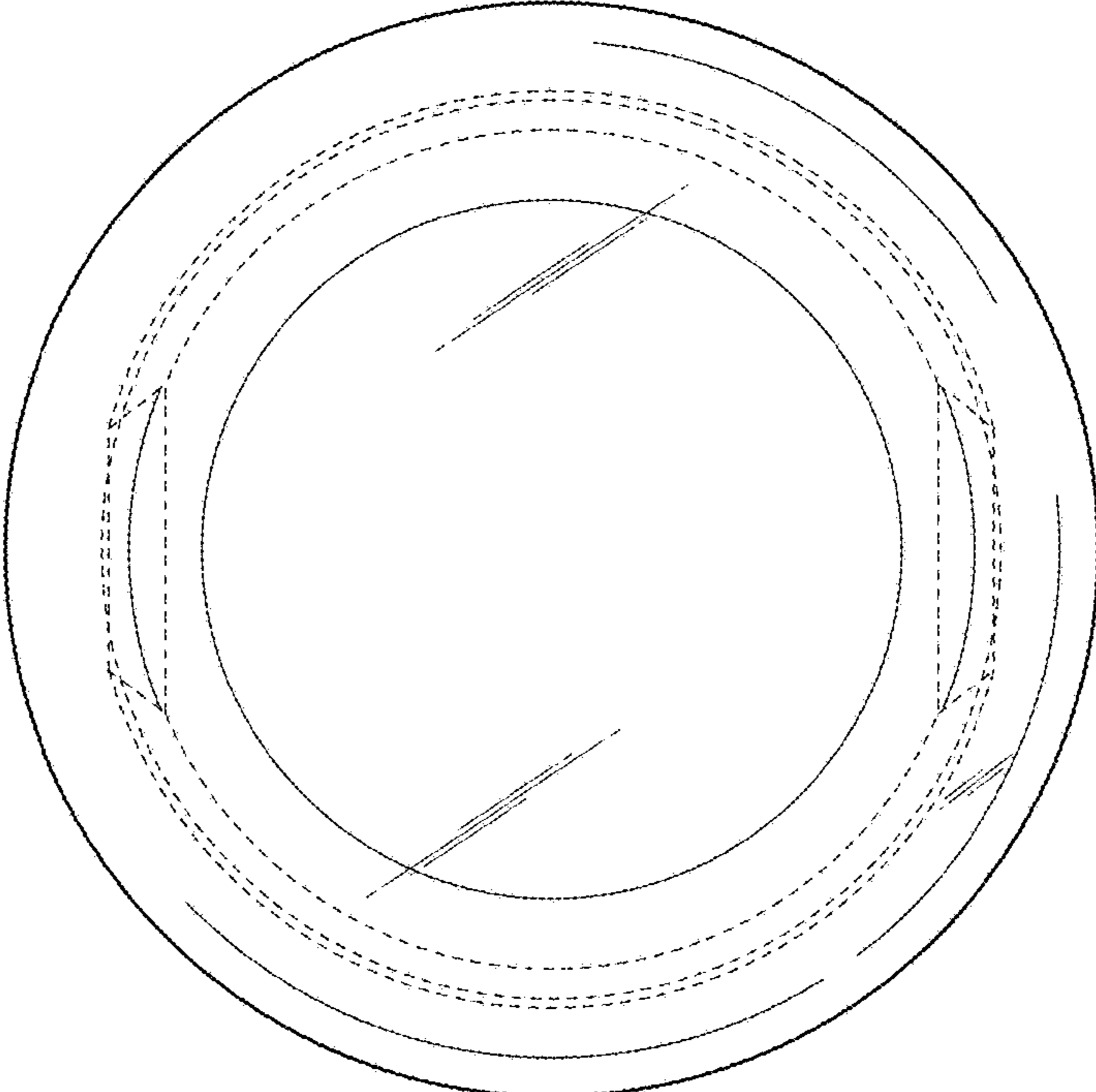


FIG. 7



US00D781151C1

(12) **EX PARTE REEXAMINATION CERTIFICATE** (11949th)  
**United States Patent**  
**Lerman**

(10) **Number:** **US D781,151 C1**  
(45) **Certificate Issued:** **Nov. 30, 2021**

- (54) **JAR**
- (71) Applicant: **eBottles.com**, Jupiter, FL (US)
- (72) Inventor: **Robert Lerman**, Jupiter, FL (US)
- (73) Assignee: **EBOTTLES.COM**, Jupiter, FL (US)

- (52) **U.S. Cl.**  
USPC ..... **D9/500**
- (58) **Field of Classification Search**  
USPC ..... D9/500, 503, 504, 549, 558, 715;  
D3/264  
CPC ..... B65D 1/00; B65D 1/02; B65D 1/0207;  
B65D 1/0223; B65D 1/10; B65D 23/00;  
B65D 2501/00; B65D 2501/0009  
See application file for complete search history.

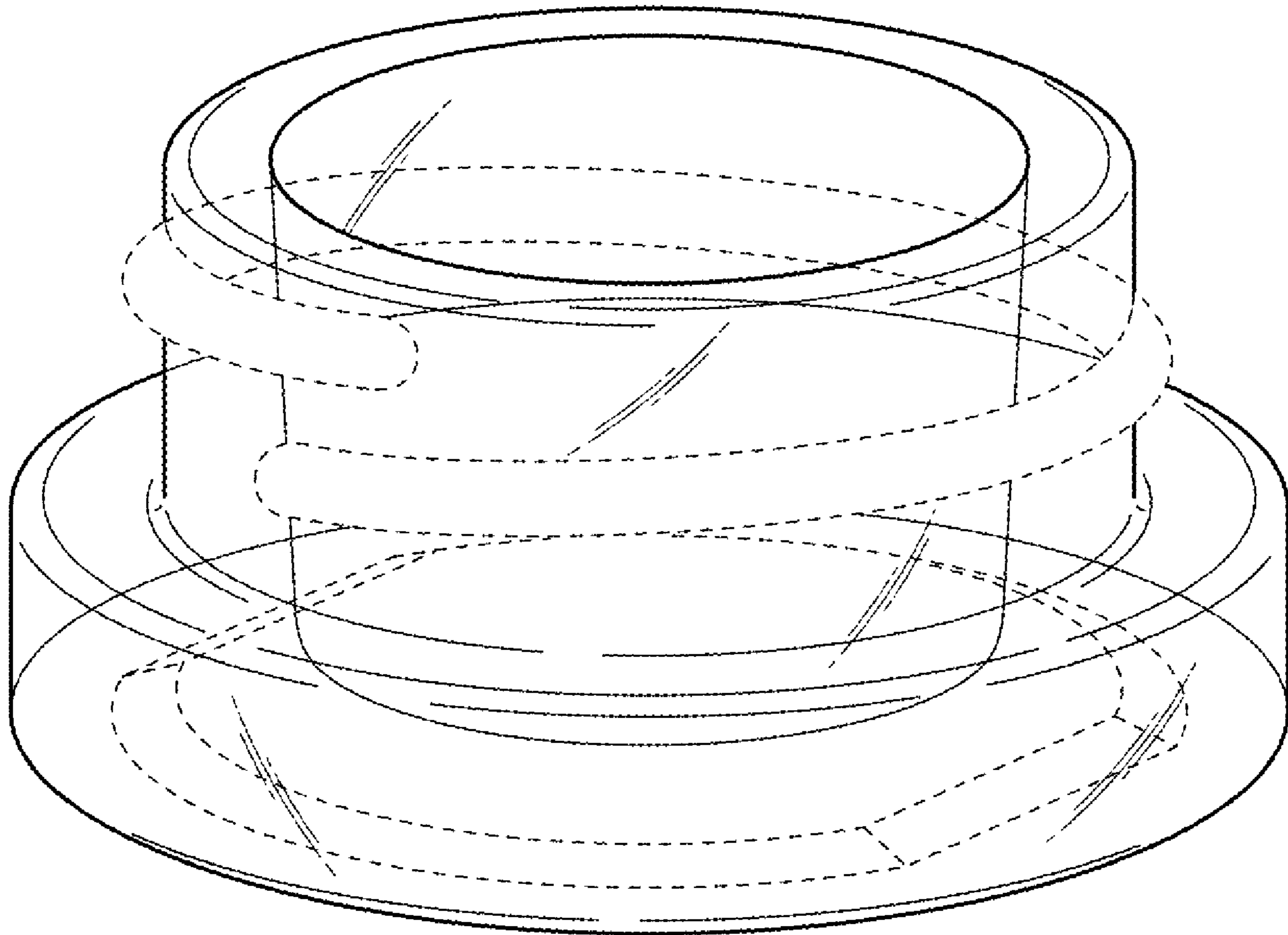
**Reexamination Request:**  
No. 90/014,262, Feb. 11, 2019

(56) **References Cited**

**Reexamination Certificate for:**  
Patent No.: **Des. 781,151**  
Issued: **Mar. 14, 2017**  
Appl. No.: **29/567,402**  
Filed: **Jun. 8, 2016**

To view the complete listing of prior art documents cited during the proceeding for Reexamination Control Number 90/014,262, please refer to the USPTO's public Patent Application Information Retrieval (PAIR) system under the Display References tab.

- (51) **LOC (13) Cl.** ..... **09-01** *Primary Examiner* — Philip S Hyder



**1**  
**EX PARTE**  
**REEXAMINATION CERTIFICATE**

NO AMENDMENTS HAVE BEEN MADE TO 5  
THE PATENT

AS A RESULT OF REEXAMINATION, IT HAS BEEN  
DETERMINED THAT:

The patentability of claim 1 is confirmed. 10

\* \* \* \* \*