



US00D781149S

(12) **United States Design Patent**  
**Kaplan et al.**

(10) **Patent No.:** **US D781,149 S**  
(45) **Date of Patent:** **\*\* Mar. 14, 2017**

(54) **BASE ATTACHMENT FOR CUP**

(71) Applicant: **The Blid Group LLC**, Lake Oswego, OR (US)

(72) Inventors: **Michael A. Kaplan**, Lake Oswego, OR (US); **Andrew E. Beldin**, Portland, OR (US); **Wesley S. Perkins**, Portland, OR (US)

(73) Assignee: **The Blid Group LLC**, Lake Oswego, OR (US)

(\*\*) Term: **15 Years**

(21) Appl. No.: **29/533,545**

(22) Filed: **Jul. 17, 2015**

(51) **LOC (10) Cl.** ..... **09-99**

(52) **U.S. Cl.**

USPC ..... **D9/499; D9/455**

(58) **Field of Classification Search**

USPC ..... D9/434, 435, 436, 437, 443, 444, 445, D9/449, 452, 453, 454, 455, 456, 499; D11/3, 4; D30/152; 53/420

(Continued)

(56) **References Cited**

**U.S. PATENT DOCUMENTS**

D30,094 S \* 1/1899 Busch ..... D26/152  
D30,338 S \* 3/1899 Mann ..... D9/434

(Continued)

**OTHER PUBLICATIONS**

Tea BLid. Bottom Lids. Apr. 24, 2015 [earliest online date], [site visited Sep. 29, 2016]. Available from Internet, <URL:http://www.teablid.com/>.\*

*Primary Examiner* — Robert M Spear  
*Assistant Examiner* — Darcey E Heflin

(74) *Attorney, Agent, or Firm* — Law Office of Karen Dana Oster, LLC

(57) **CLAIM**

We claim the ornamental design for a bottom lid accessory, as shown and described.

**DESCRIPTION**

FIG. 1 is a perspective view of a bottom lid accessory. FIG. 2 is a top view of FIG. 1. FIG. 3 is a first side view of FIG. 1, a second side view, front view, and back view being identical to the first side view. FIG. 4 is a perspective view of a second embodiment bottom lid accessory having at least one grip bump on its peripheral wall. FIG. 5 is a top view of FIG. 4. FIG. 6 is a front view of FIG. 4. FIG. 7 is a first side view of FIG. 4, the second side view being a mirror image of the first side view. FIG. 8 is a back view of FIG. 4. FIG. 9 is a perspective view of a third embodiment bottom lid accessory having an annular internal grip on its peripheral wall. FIG. 10 is a top view of FIG. 9. FIG. 11 is a first side view of FIG. 9, the second side view, front view, and back view being identical to the first side view. FIG. 12 is a perspective view of a fourth embodiment bottom lid accessory having an internal annular limiter. FIG. 13 is a top view of FIG. 12. FIG. 14 is a first side view of FIG. 12, the second side view, front view, and back view being identical to the first side view. FIG. 15 is a perspective view of a fifth embodiment bottom lid accessory having an internal annular limiter and at least one grip bump on its annular wall. FIG. 16 is a top view of FIG. 15. FIG. 17 is a front view of FIG. 15. FIG. 18 is a first side view of FIG. 15, the second side view being a mirror image of the first side view. FIG. 19 is a back view of FIG. 15.

(Continued)

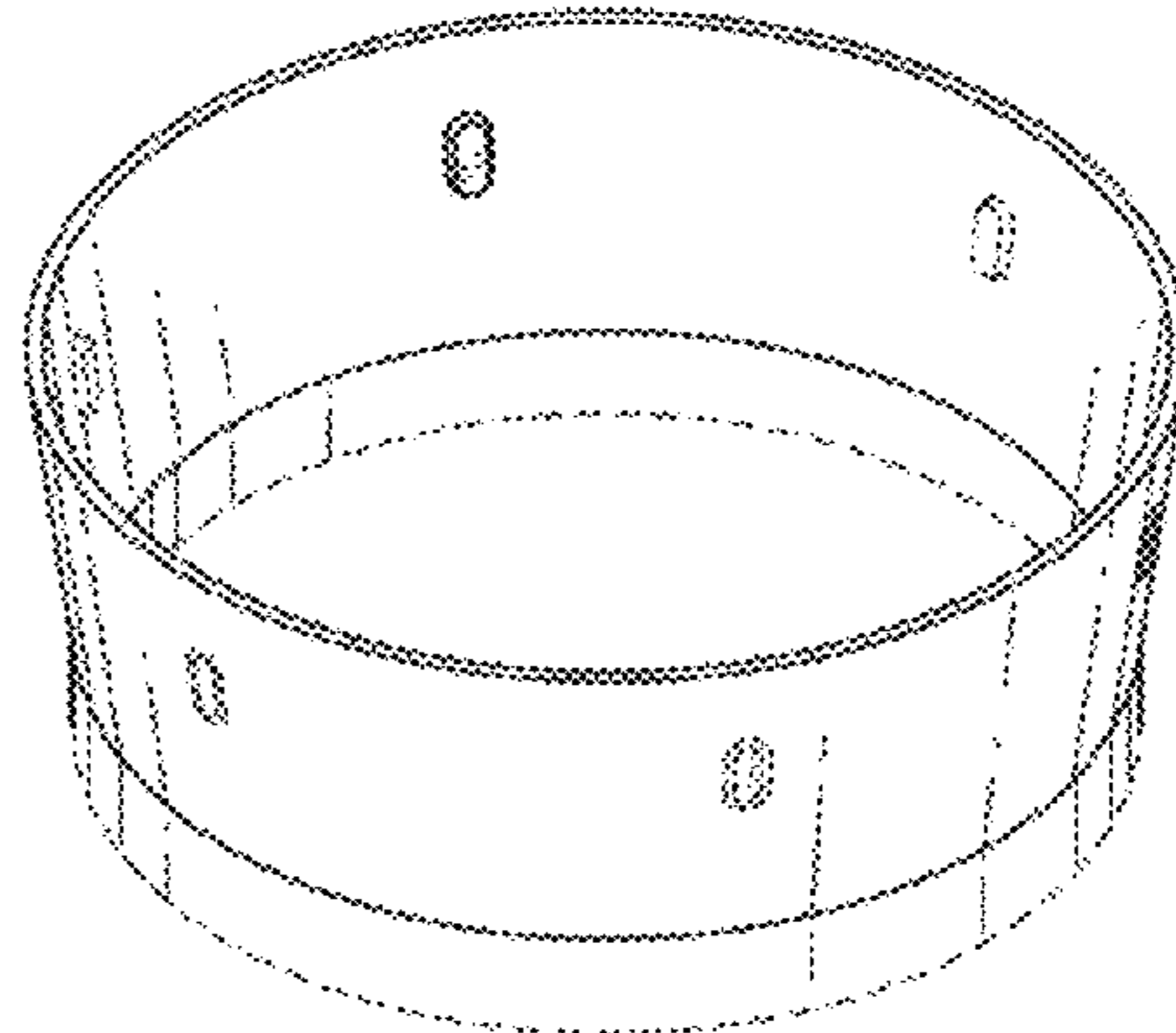
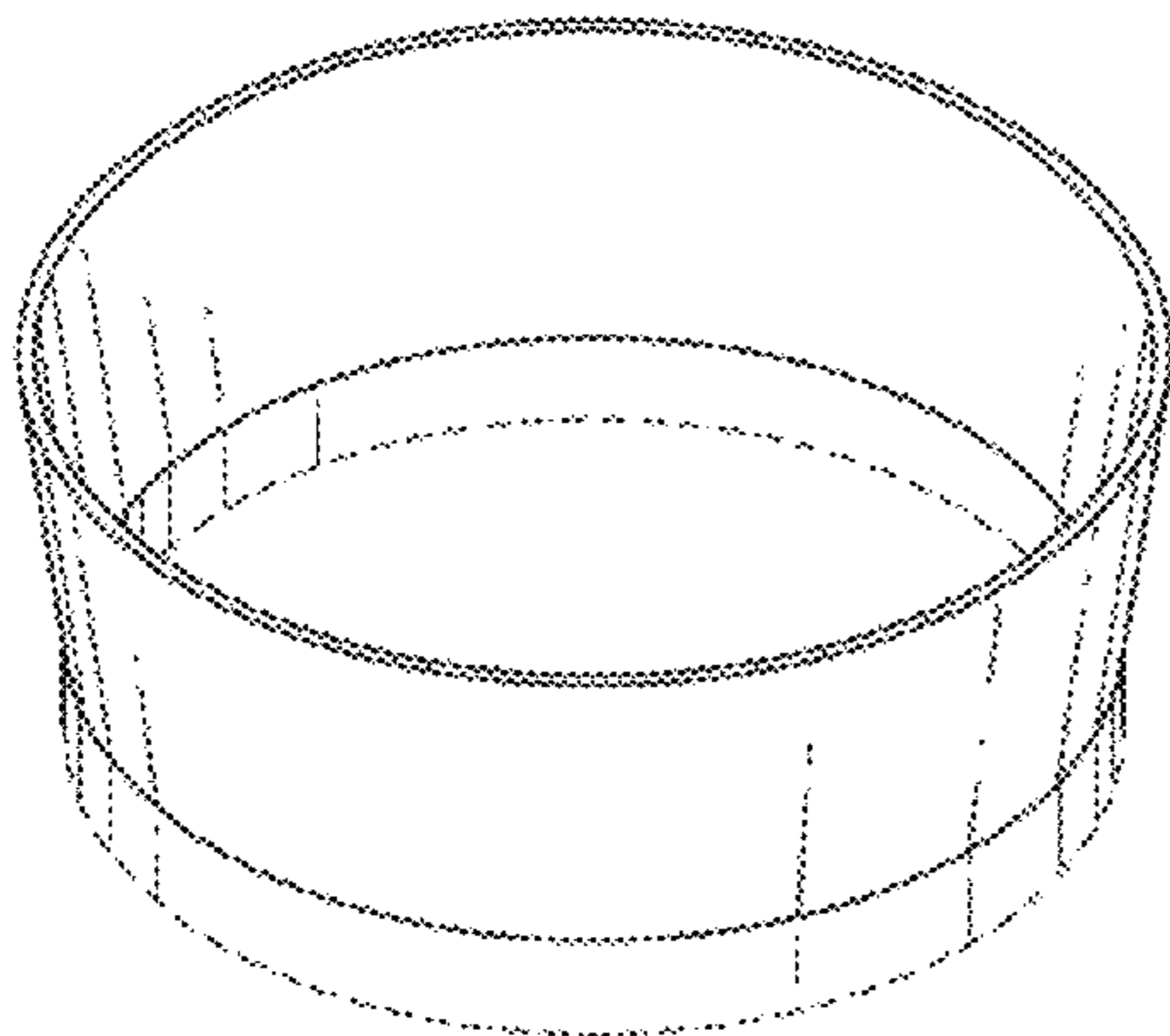


FIG. 20 is a perspective view of a sixth embodiment bottom lid accessory having an internal annular limiter and having an annular internal grip on its peripheral wall.

FIG. 21 is a top view of FIG. 20.

FIG. 22 is a first side view of FIG. 20, the second side view, front view, and back view being identical to the first side view.

FIG. 23 is a perspective view of a seventh embodiment bottom lid accessory having at least one internal peg limiter.

FIG. 24 is a top view of FIG. 23.

FIG. 25 is a first side view of FIG. 23, the second side view, front view, and back view being identical to the first side view.

FIG. 26 is a perspective view of a eighth embodiment bottom lid accessory having at least one internal peg limiter and having at least one grip bump on its annular wall.

FIG. 27 is a top view of FIG. 26.

FIG. 28 is a front view of FIG. 26.

FIG. 29 is a first side view of FIG. 26, the second side view being a mirror image of the first side view.

FIG. 30 is a back view of FIG. 26.

FIG. 31 is a perspective view of a ninth embodiment bottom lid accessory having at least one internal peg limiter and having an annular internal grip on its peripheral wall.

FIG. 32 is a top view of FIG. 31; and,

FIG. 33 is a first side view of FIG. 31, the second side view, front view, and back view being identical to the first side view.

The bottom surface of the bottom lid accessory forms no part of the claimed design.

The broken line depictions of structure such as the edge of the bottom surface, additional grip bumps, and additional

internal peg limiters are included for environmental purposes and form no part of the claimed design.

**1 Claim, 9 Drawing Sheets**

(58) **Field of Classification Search**

CPC ..... B65D 39/00; B65D 41/00; B65D 50/048  
See application file for complete search history.

(56) **References Cited**

U.S. PATENT DOCUMENTS

3,095,132	A	6/1963	Hawley	
3,225,915	A	12/1965	Wise	
3,246,786	A	4/1966	Holley	
3,598,271	A	8/1971	Holley	
3,861,284	A	1/1975	Costello	
D286,508	S *	11/1986	Tilden .....	222/570
4,775,063	A	10/1988	Godfrey	
D359,682	S *	6/1995	Miller .....	D9/434
D366,615	S *	1/1996	Gearin .....	D9/434
5,531,353	A	7/1996	Ward et al.	
5,657,898	A	8/1997	Portman et al.	
D433,332	S *	11/2000	Weber .....	D9/434
D474,404	S *	5/2003	Tropeano .....	D9/455
D480,969	S *	10/2003	Owens .....	220/4.27
D481,312	S *	10/2003	Martin .....	D9/435
6,729,494	B2	5/2004	Portman et al.	
D516,909	S *	3/2006	Bloc .....	D9/434
D583,238	S *	12/2008	Chen .....	D9/453
D623,943	S *	9/2010	Weld .....	D9/454
D632,173	S	2/2011	Makita	
D641,239	S *	7/2011	Ramsey .....	D7/387
D730,734	S *	6/2015	Rapparini .....	D9/454
D752,975	S *	4/2016	Gatto .....	D9/434
D754,535	S *	4/2016	Kim .....	D9/435
2004/0056037	A1	3/2004	Gluck	

\* cited by examiner

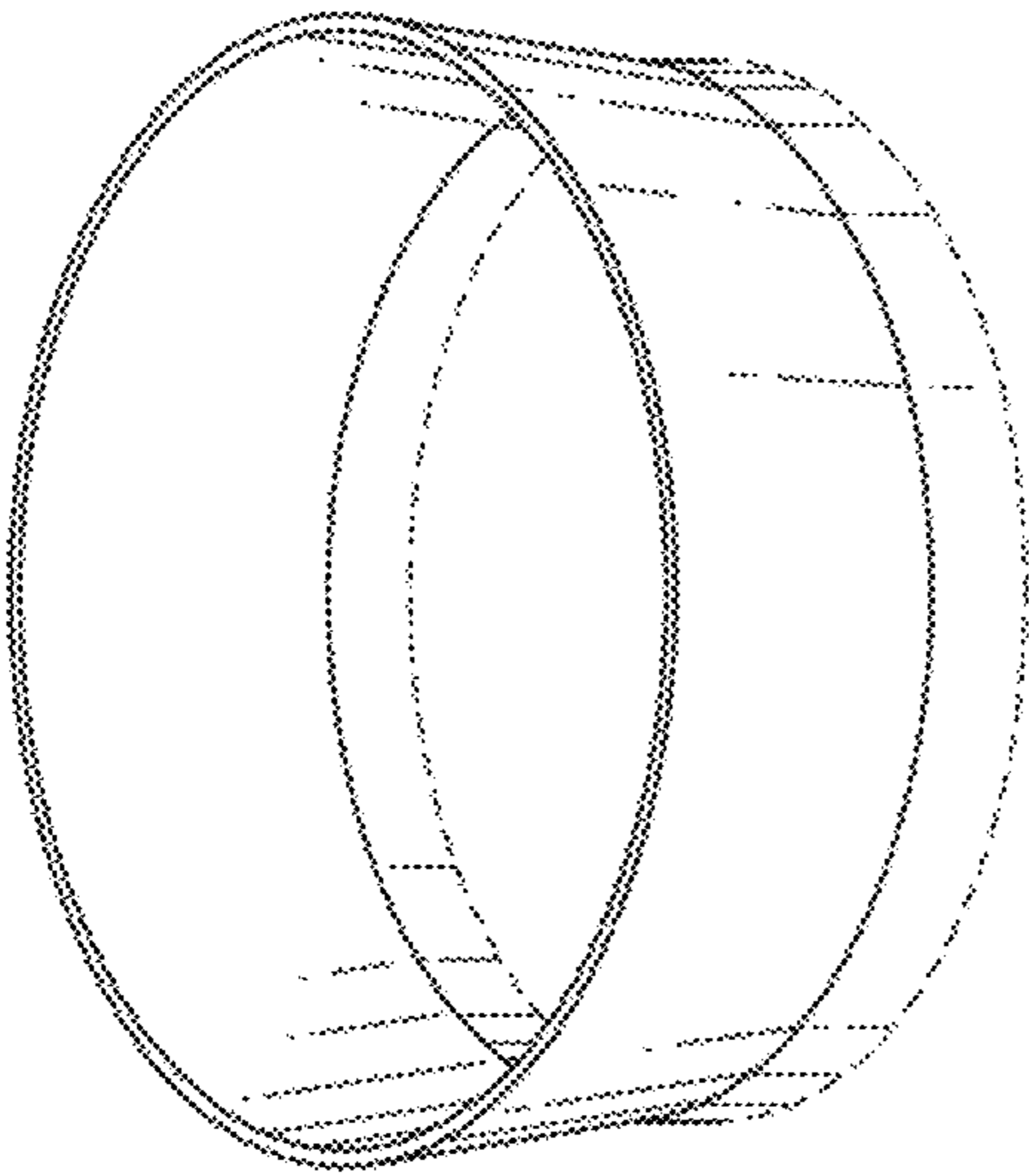


FIG. 1

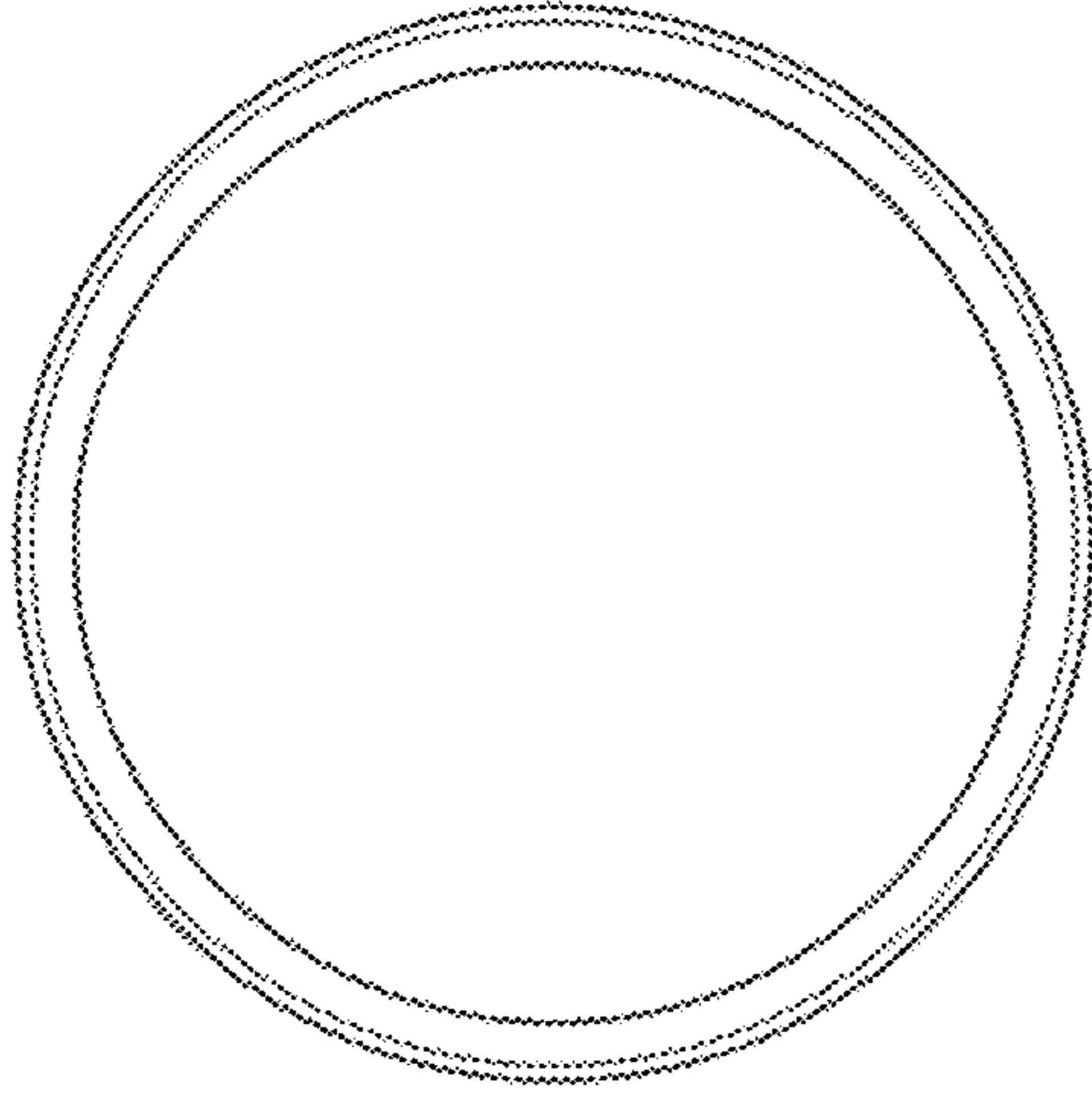


FIG. 2

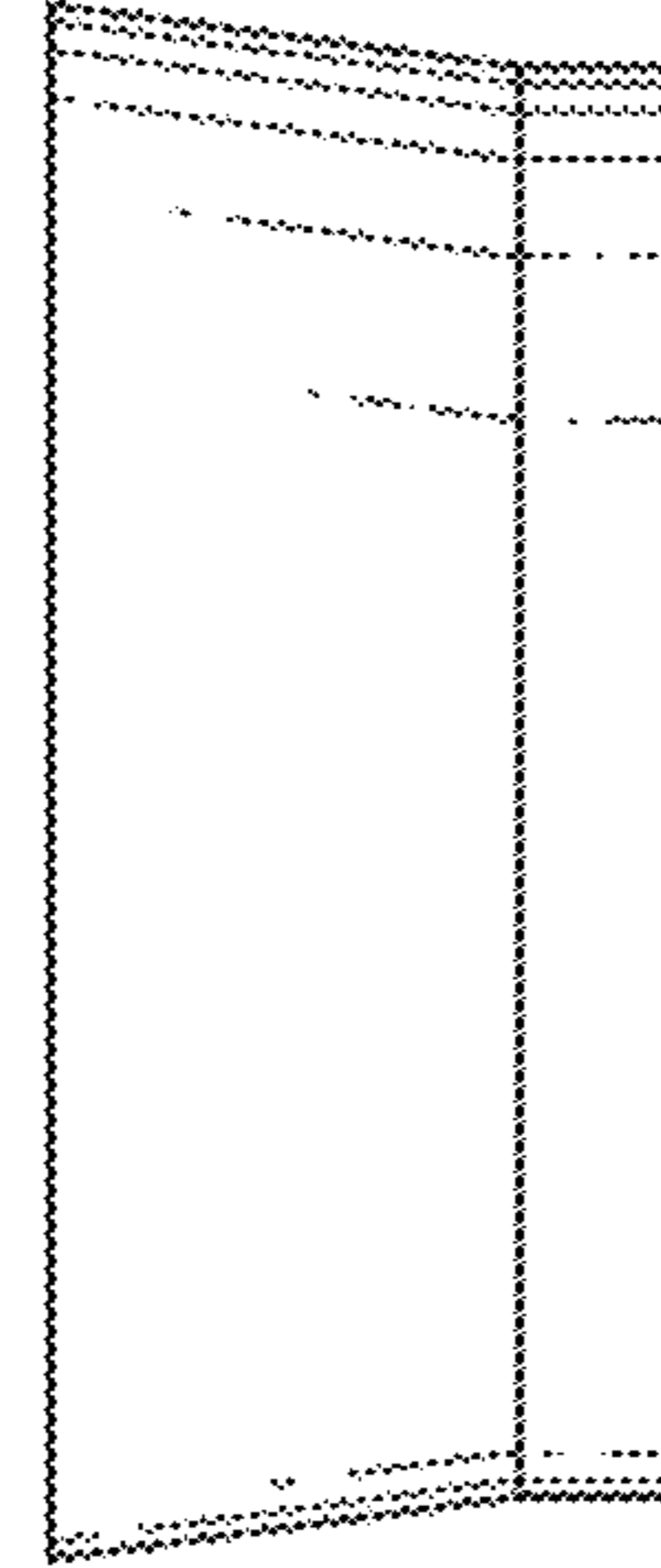


FIG. 3

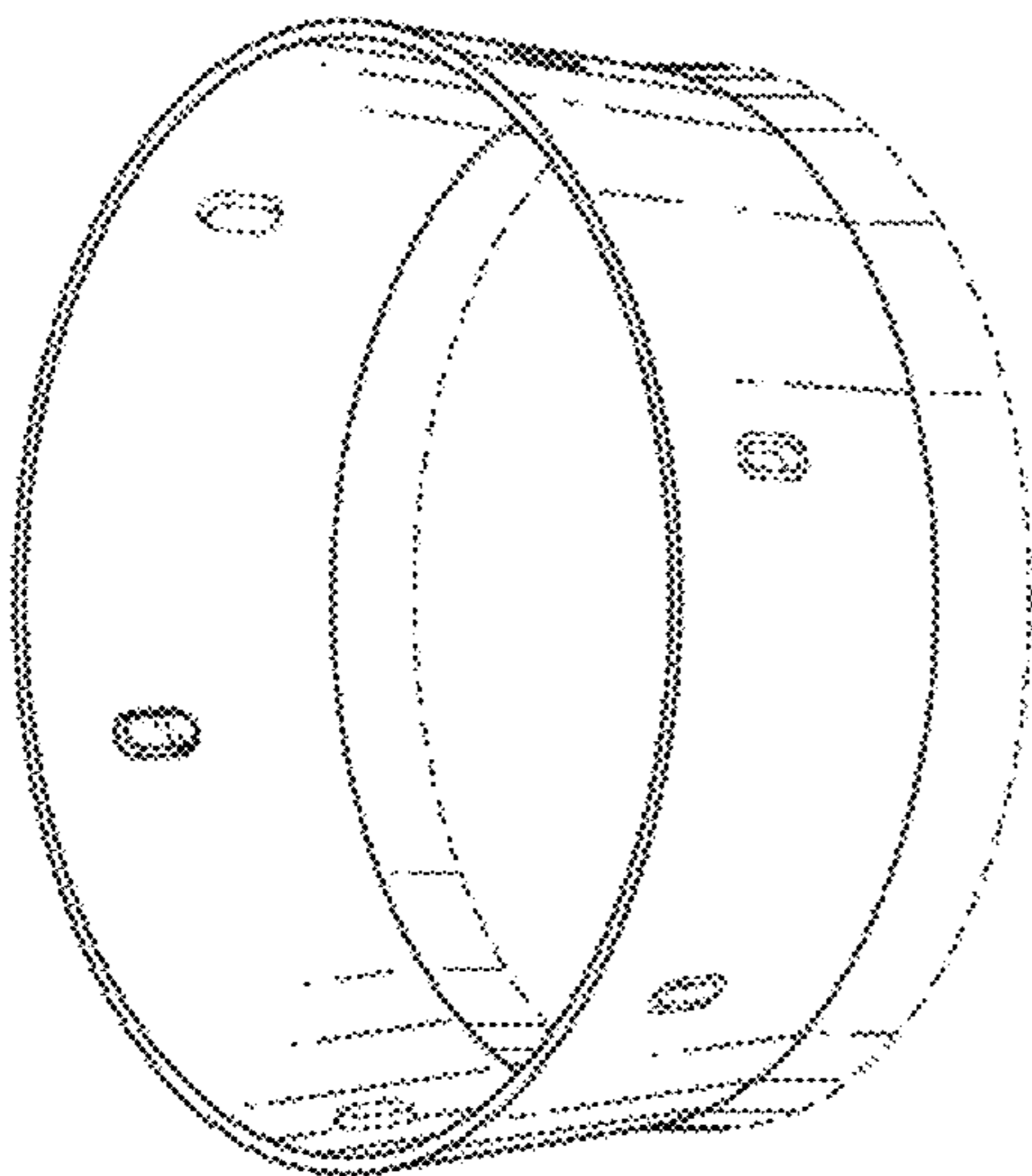


FIG. 4

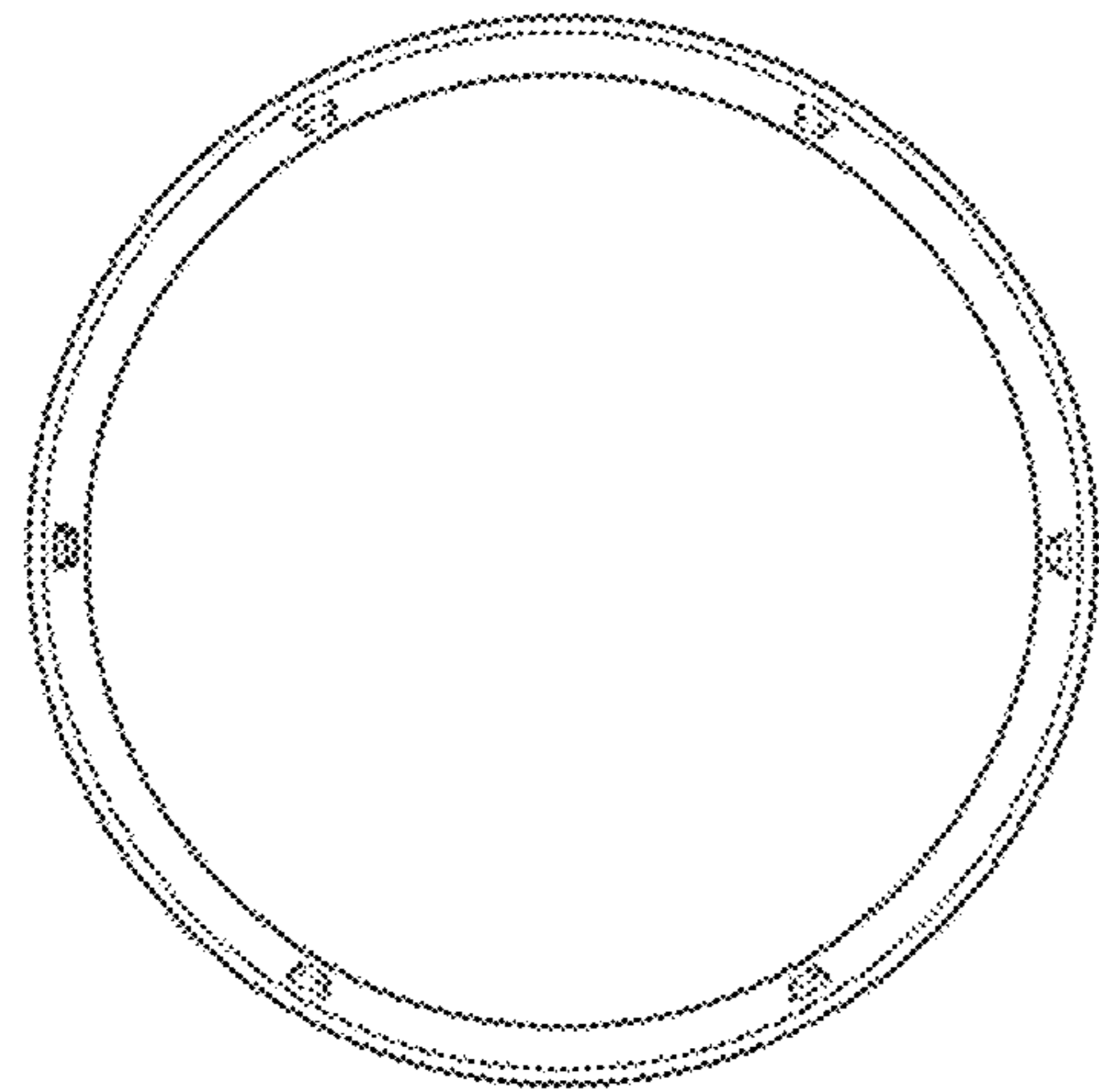


FIG. 5

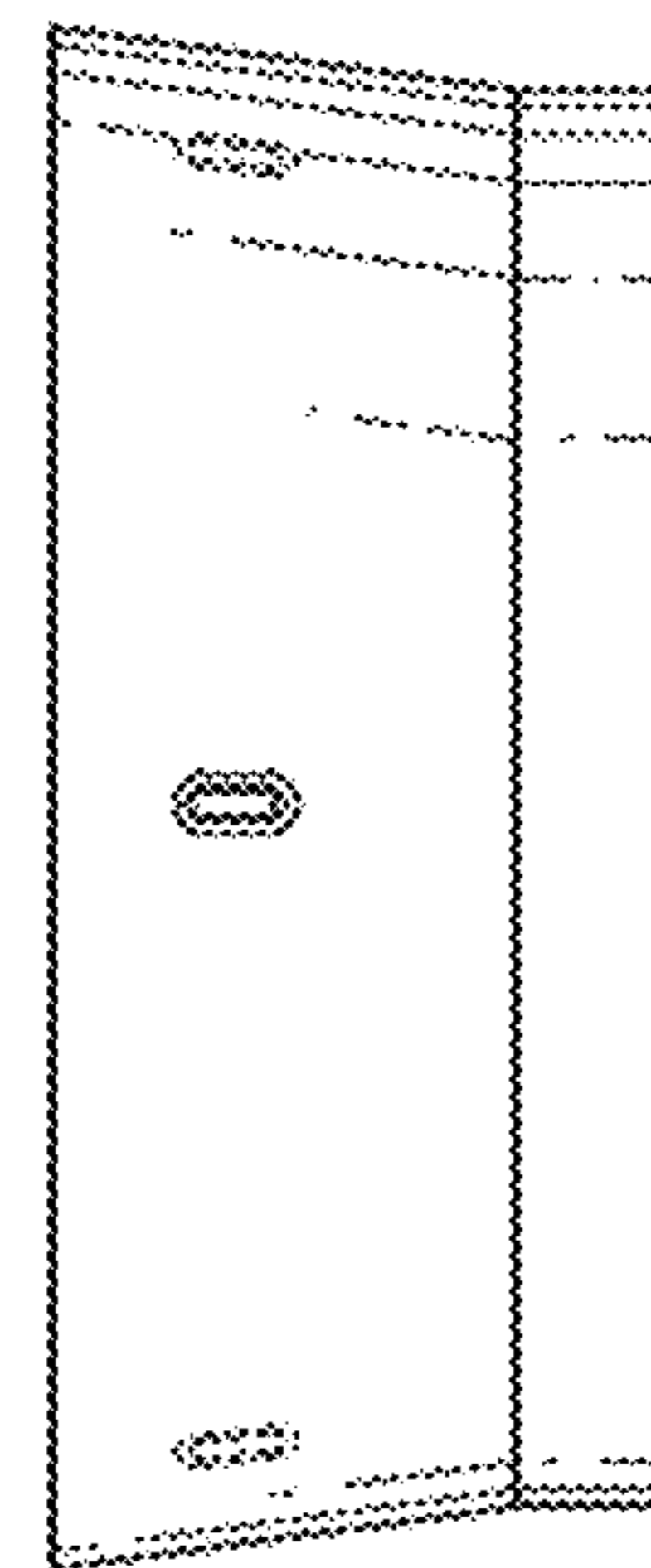


FIG. 6

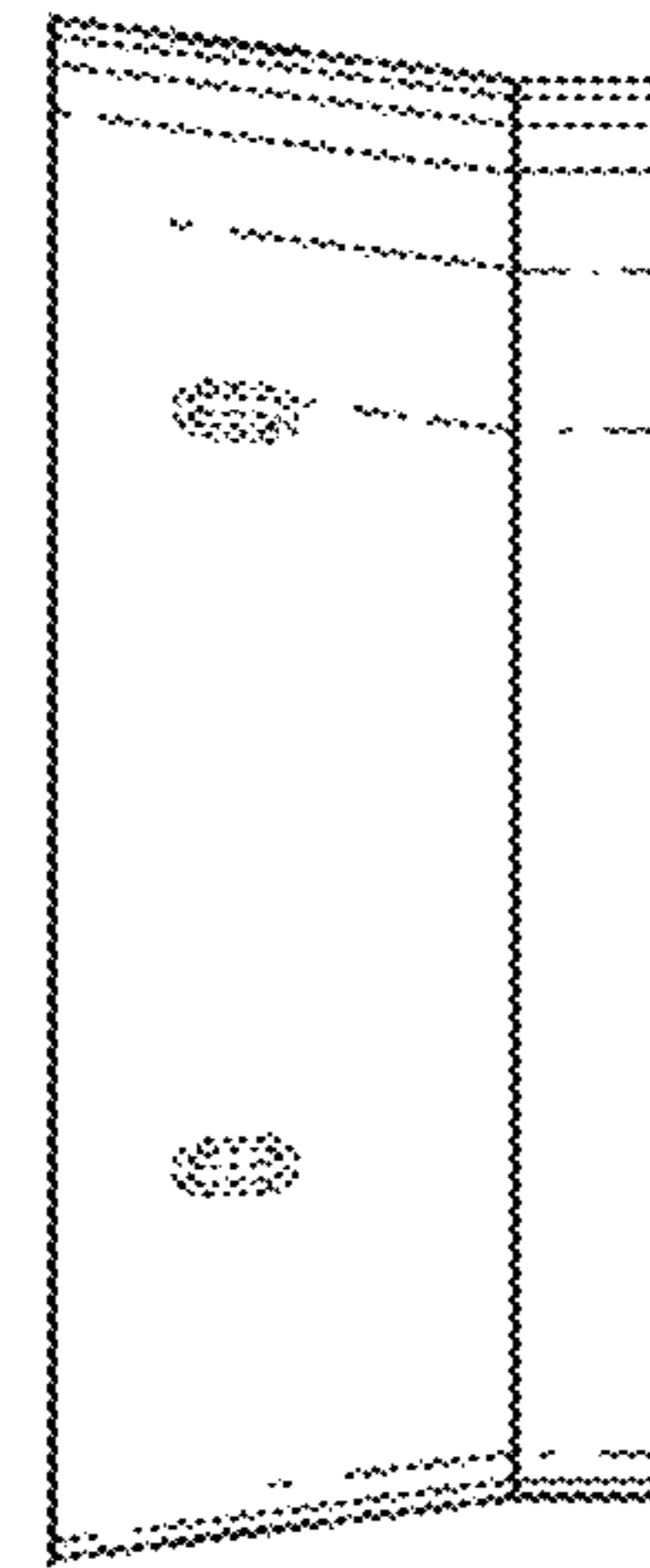


FIG. 7

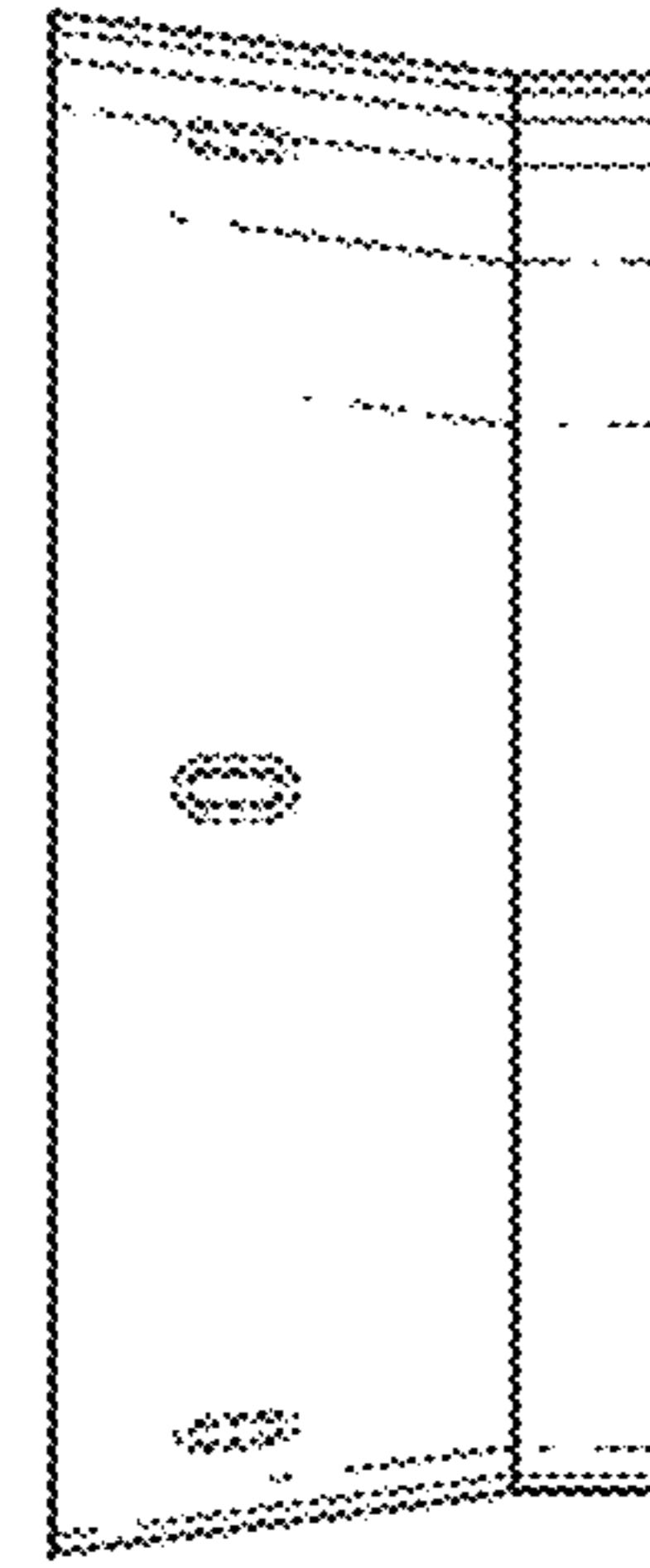


FIG. 8

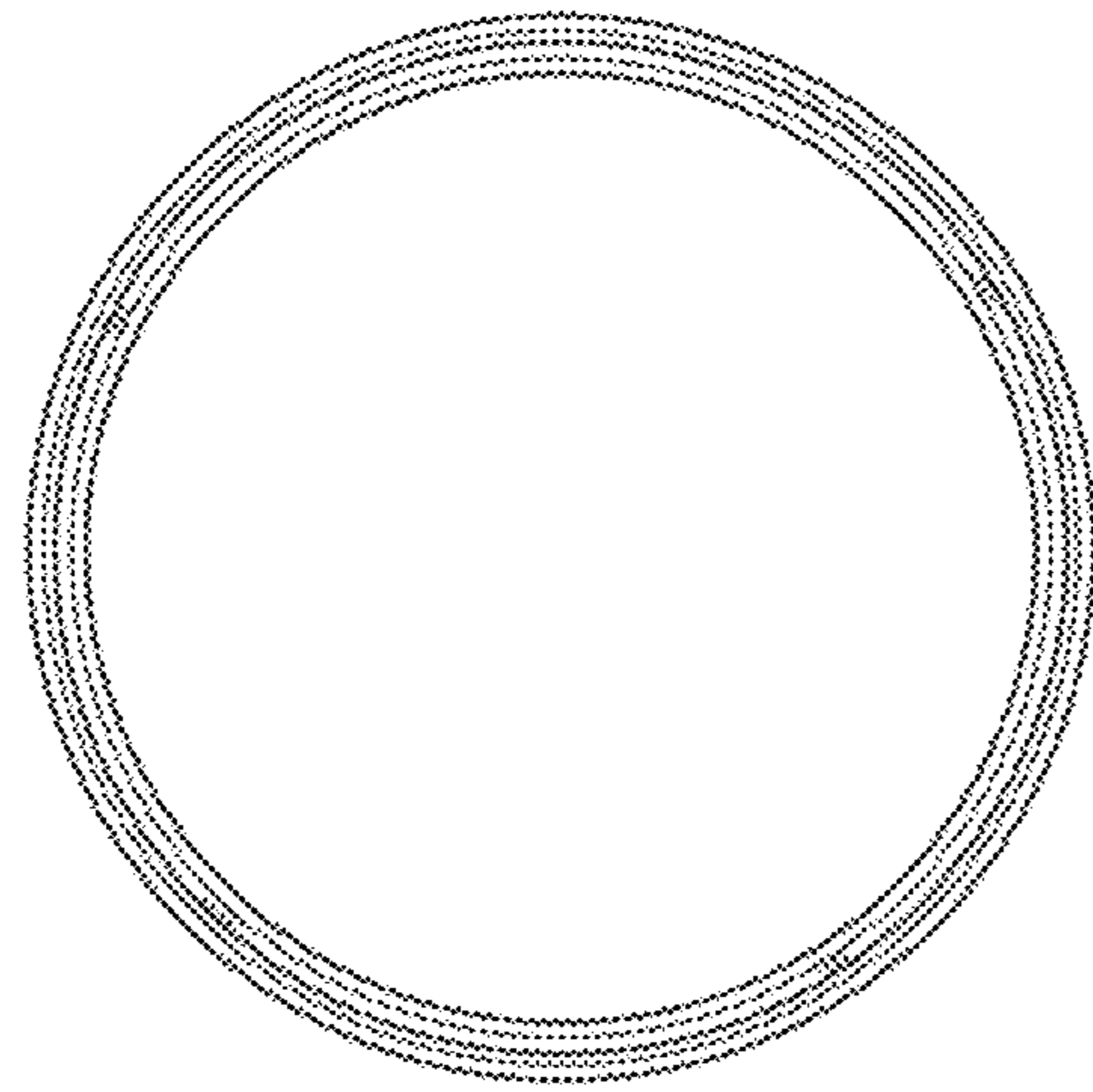


FIG. 9

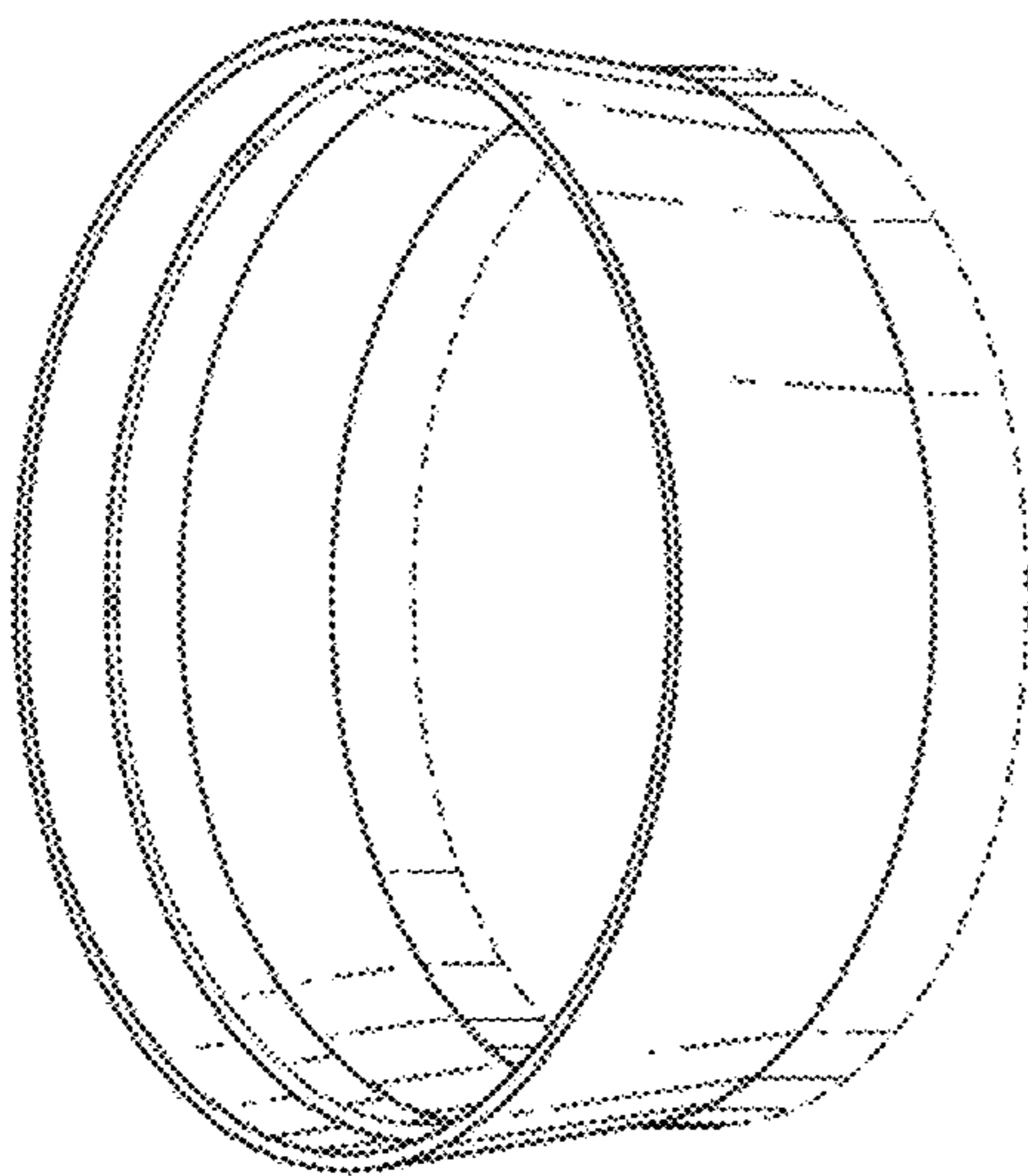


FIG. 10

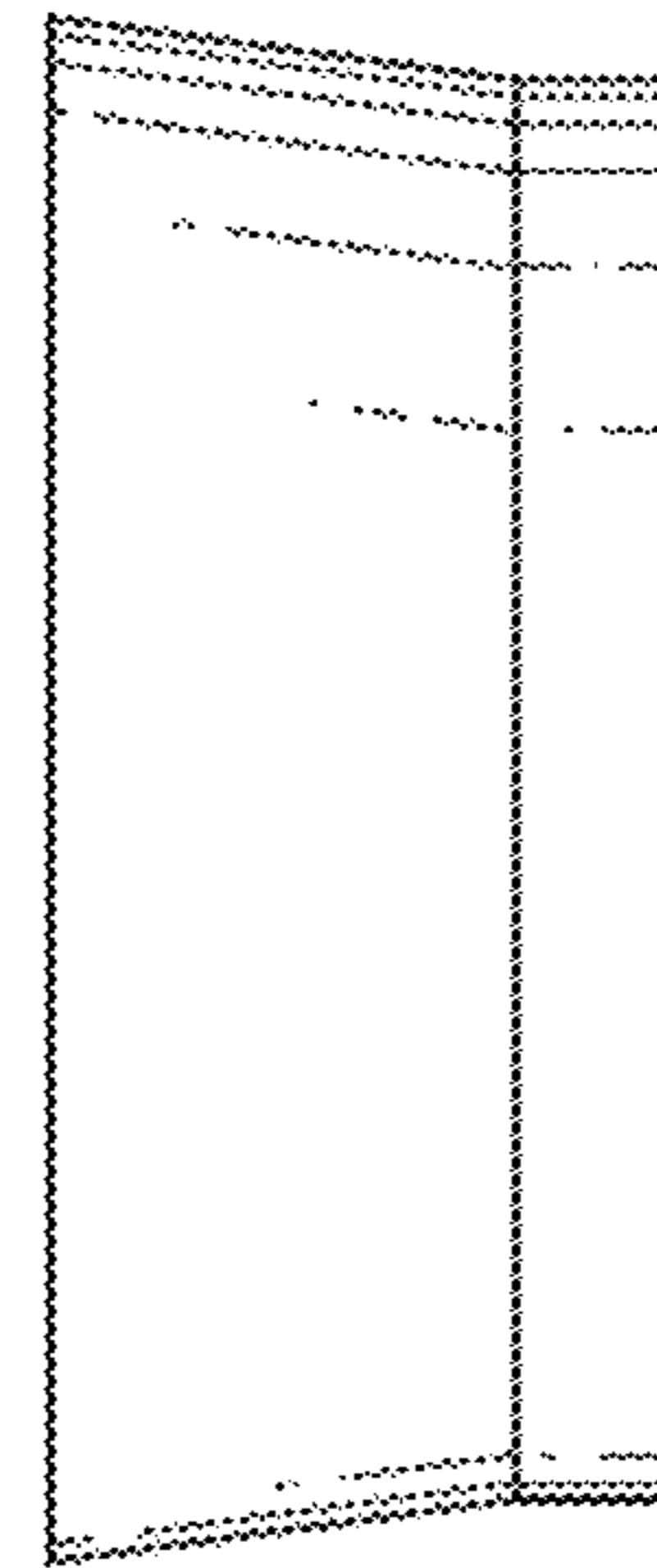


FIG. 11

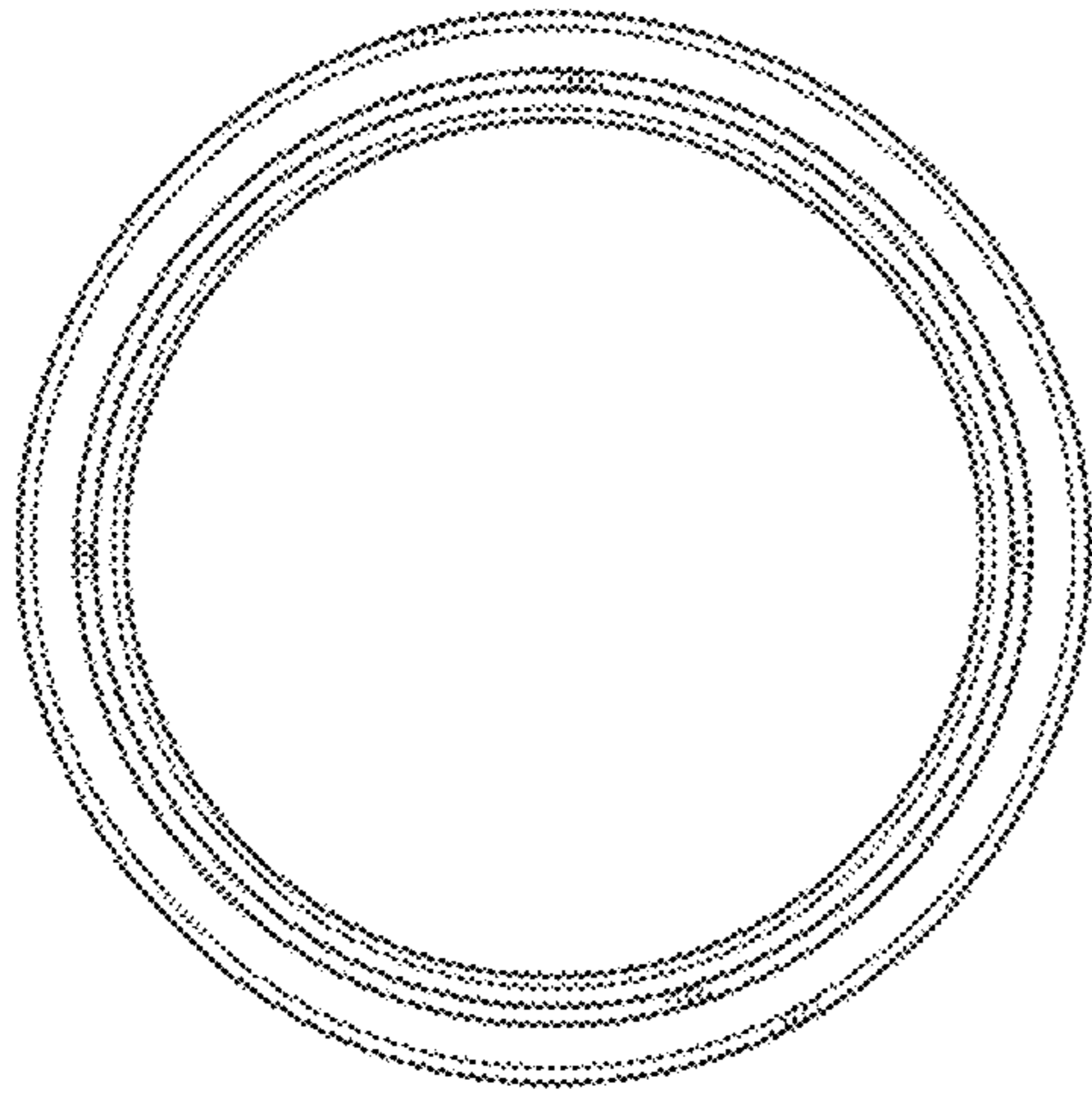


FIG. 13

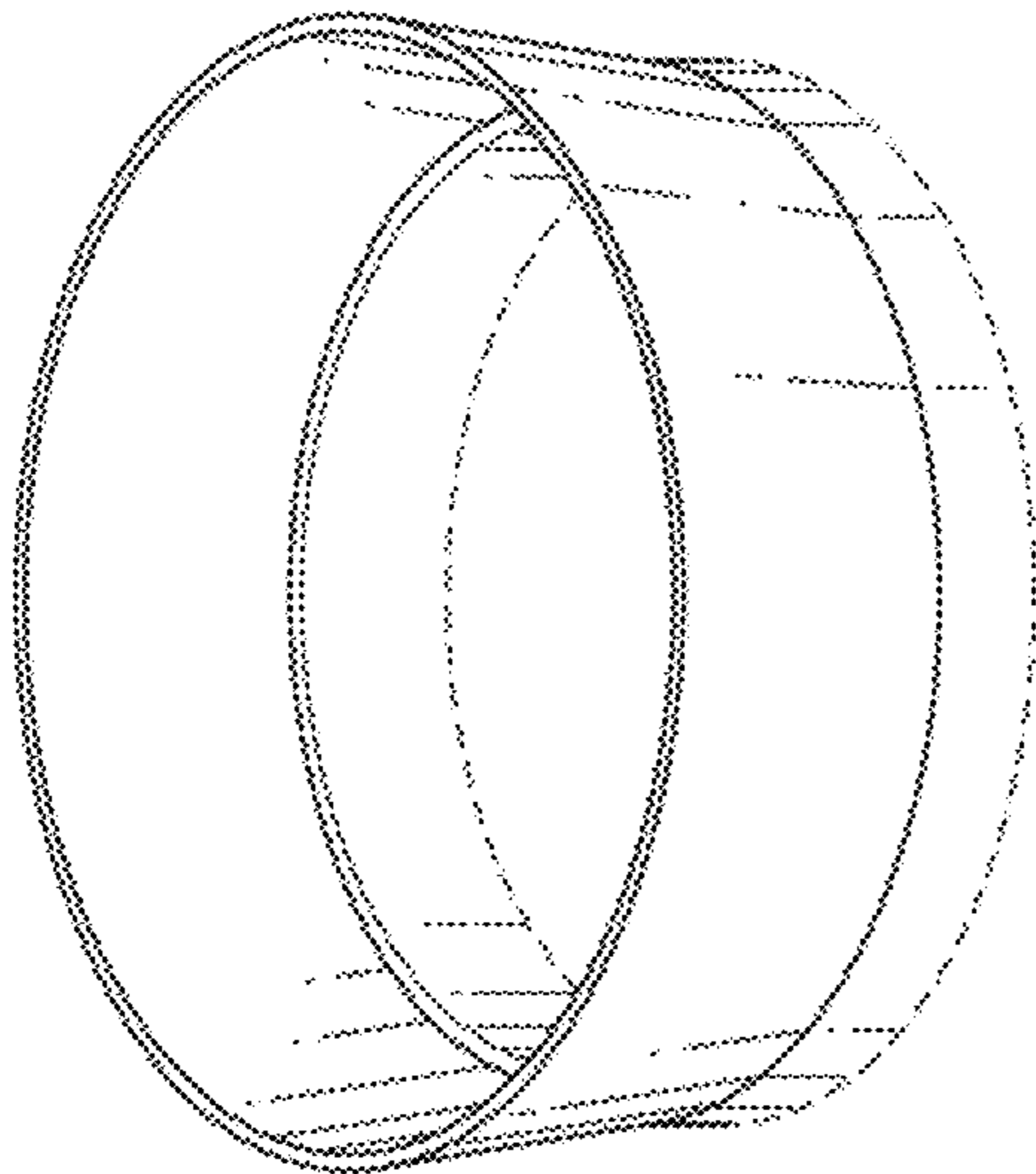


FIG. 12

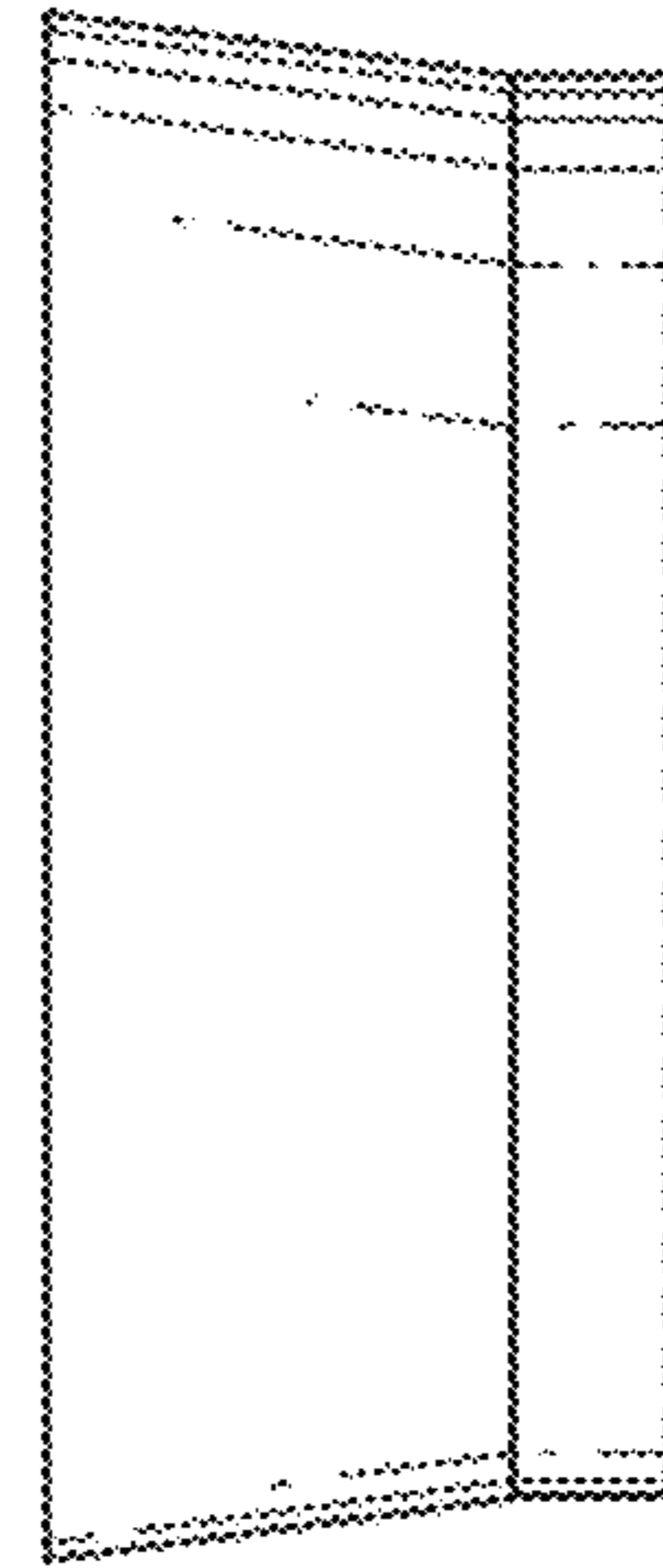


FIG. 14

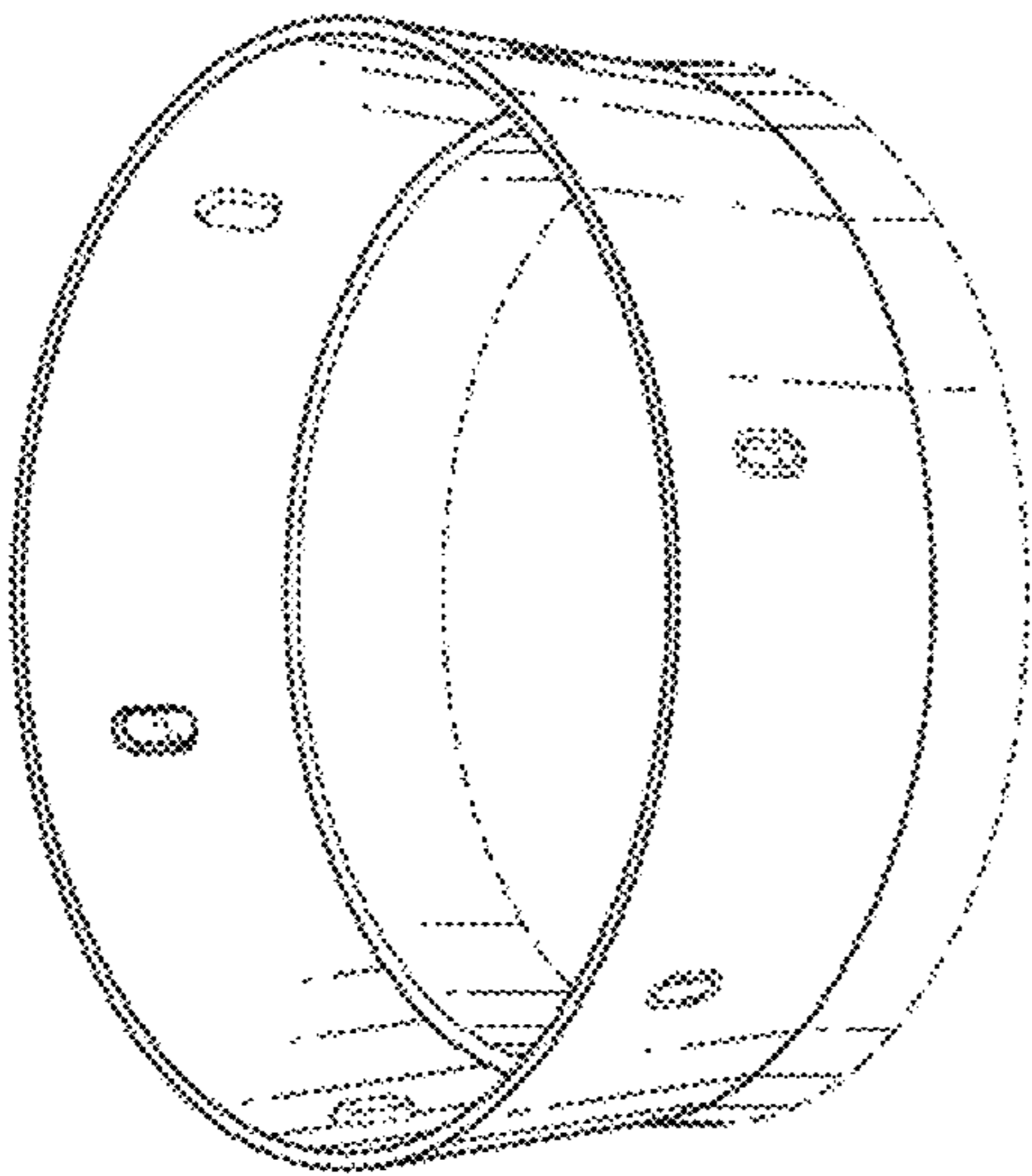


FIG. 15

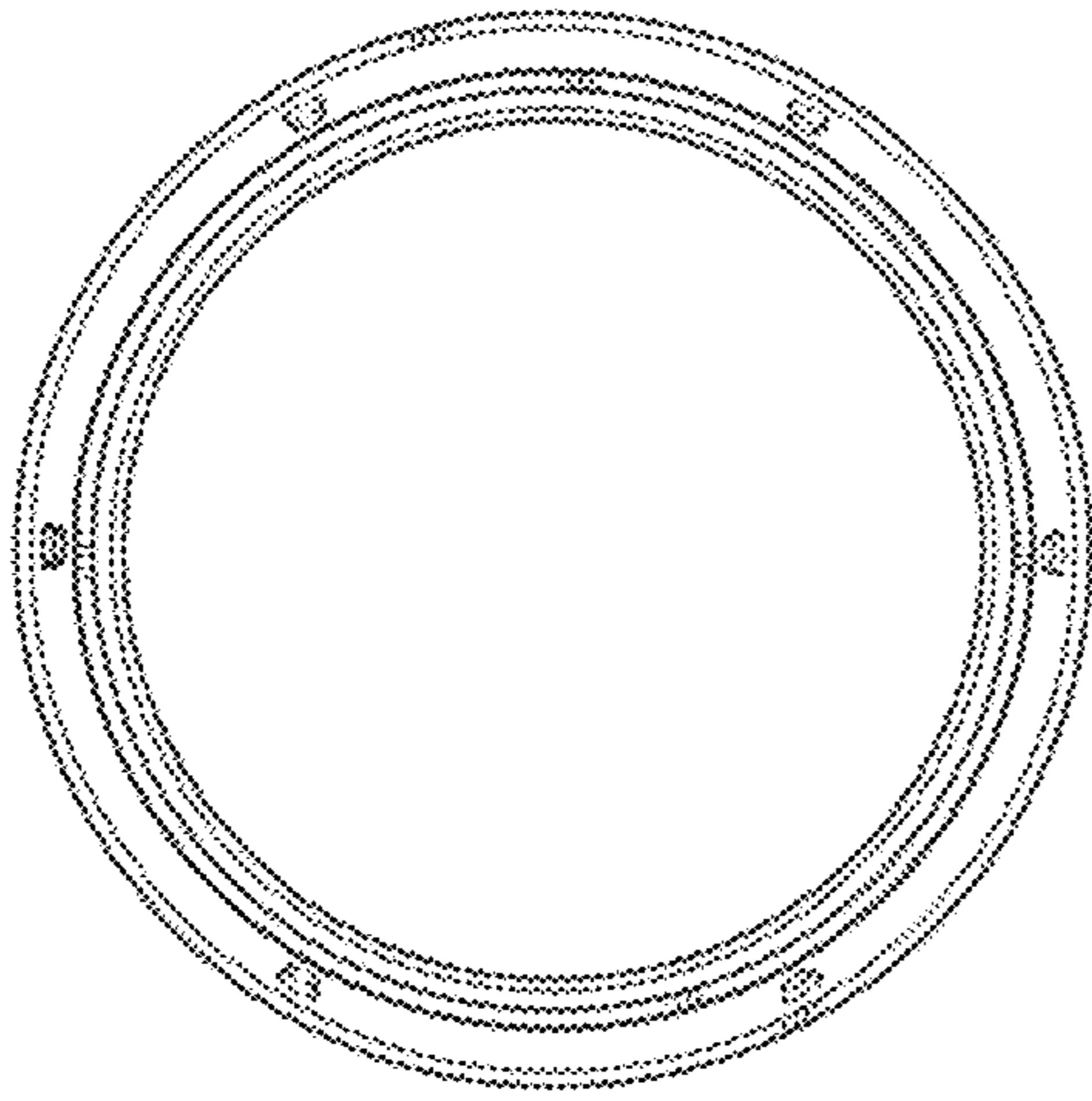


FIG. 16

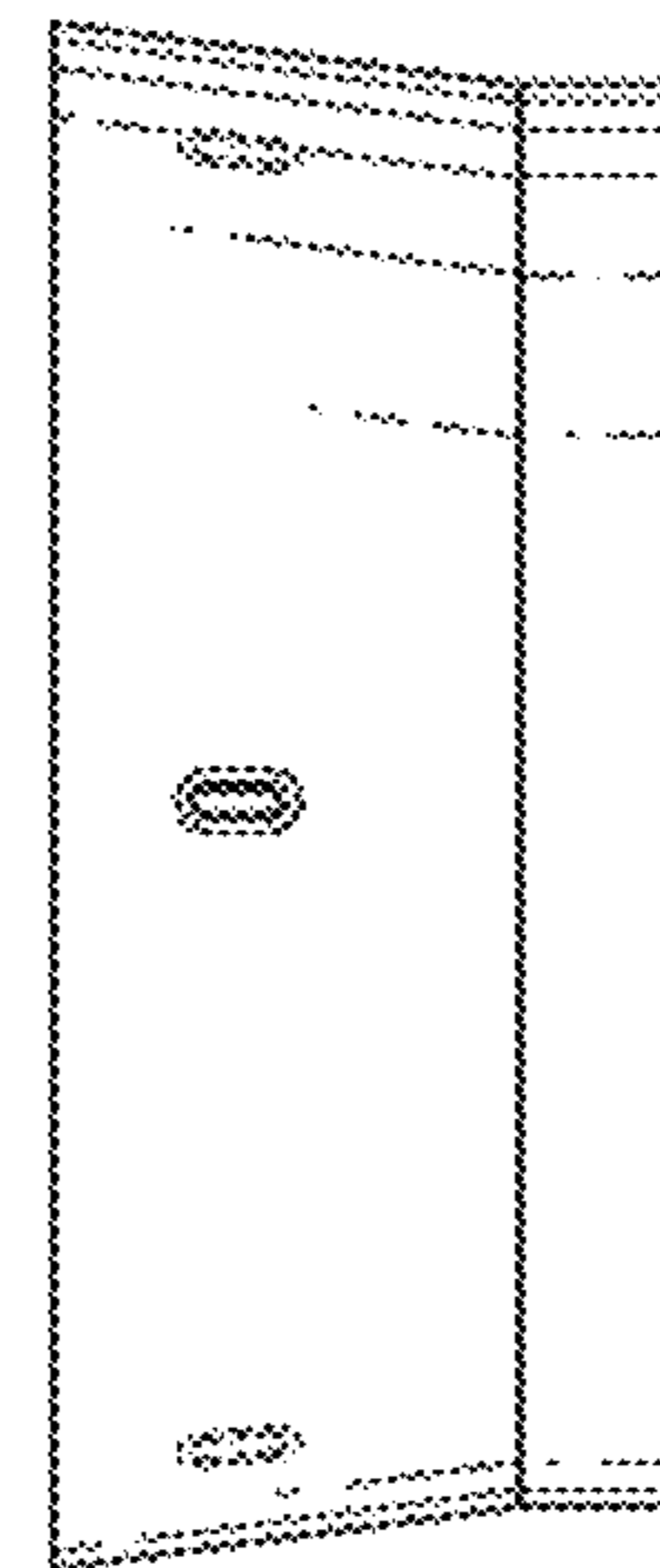


FIG. 17

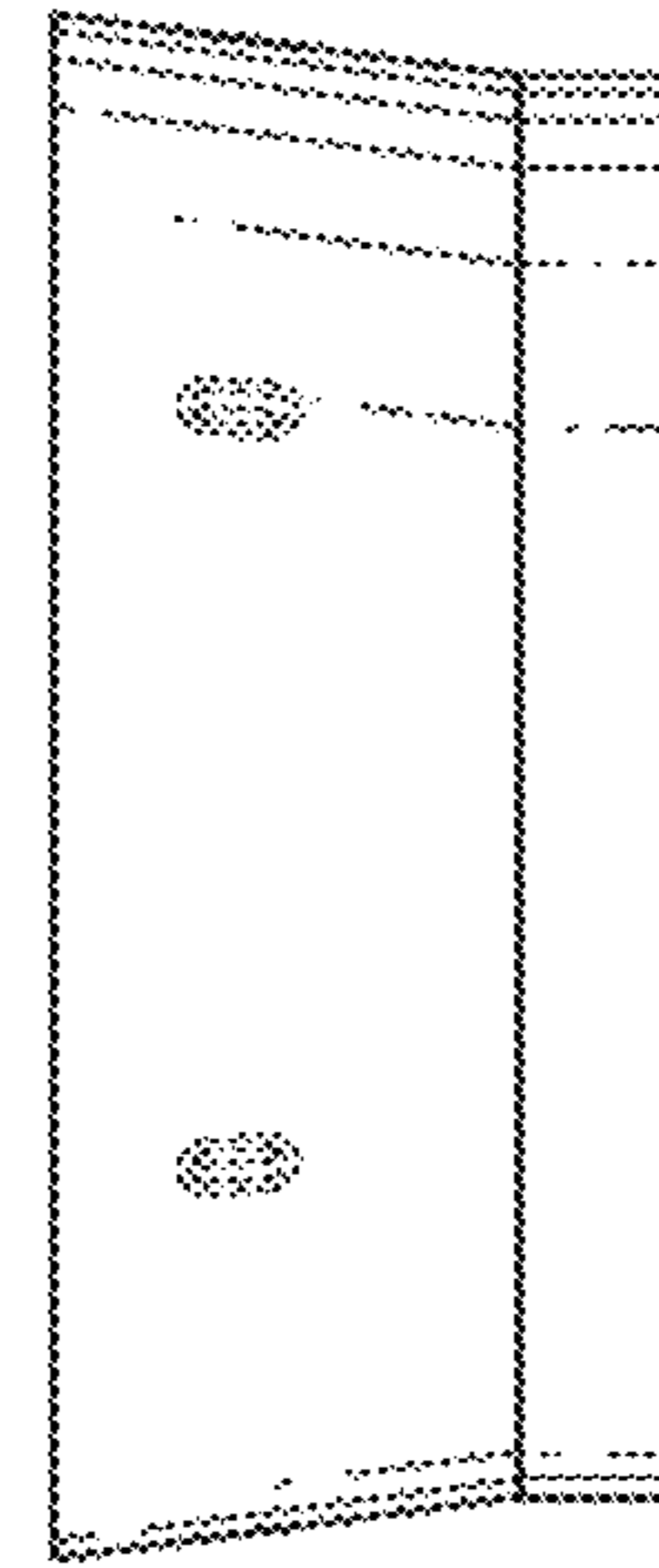


FIG. 18

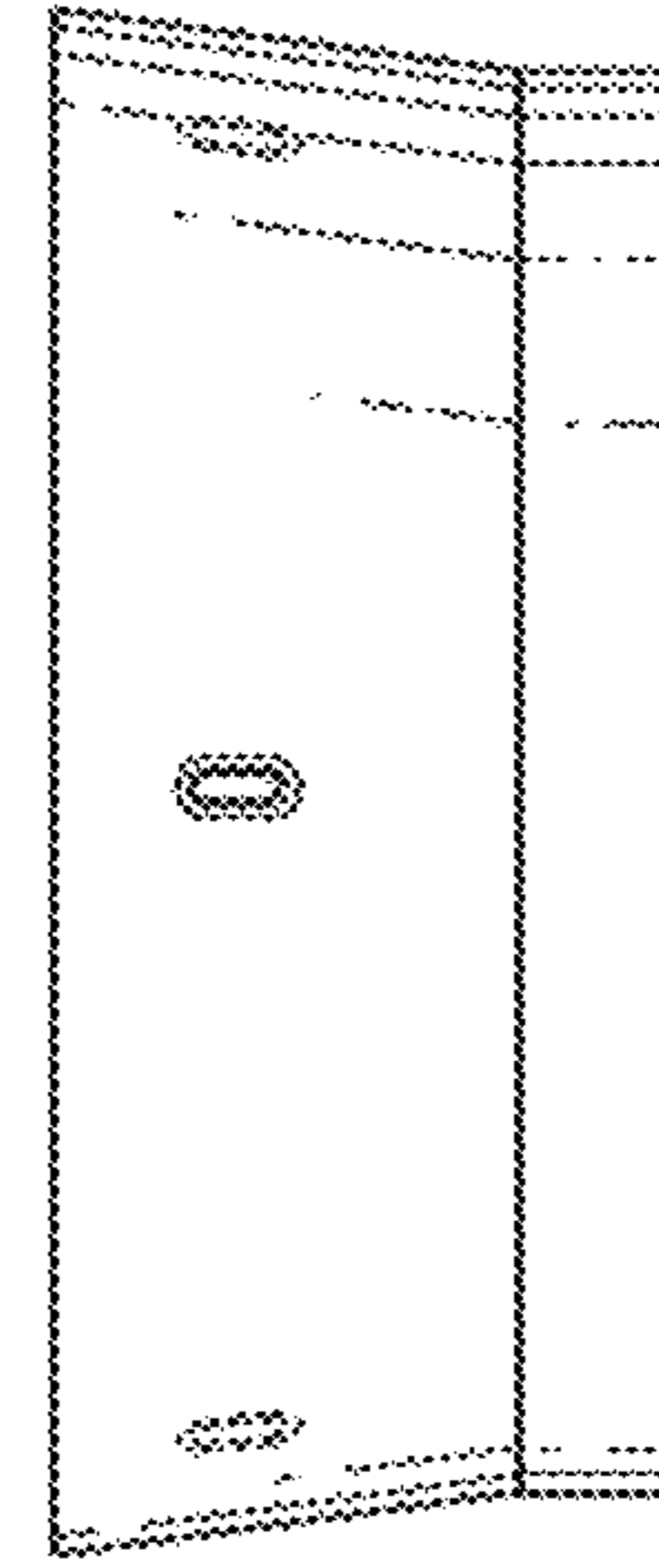


FIG. 19

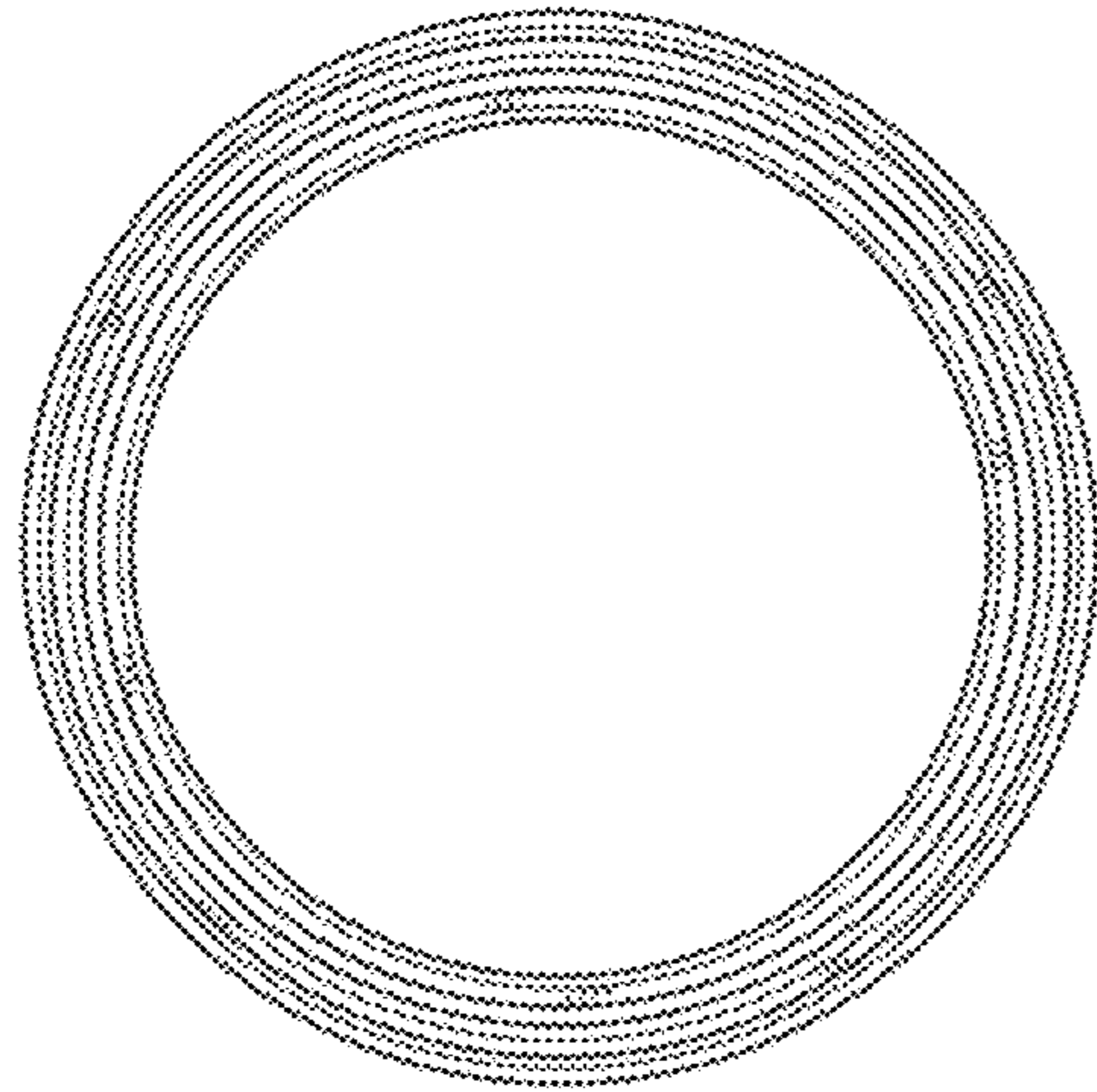


FIG. 21

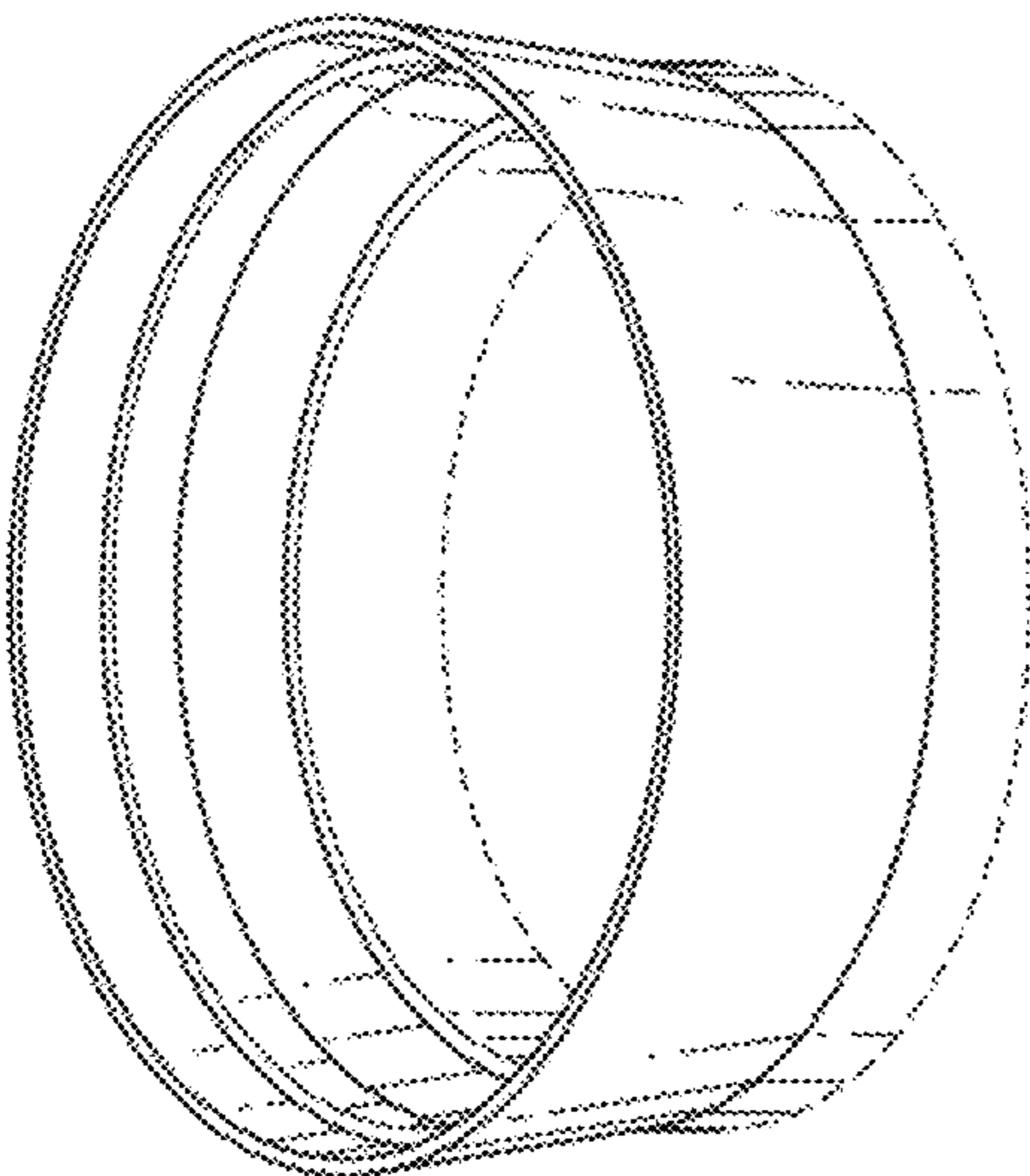


FIG. 20

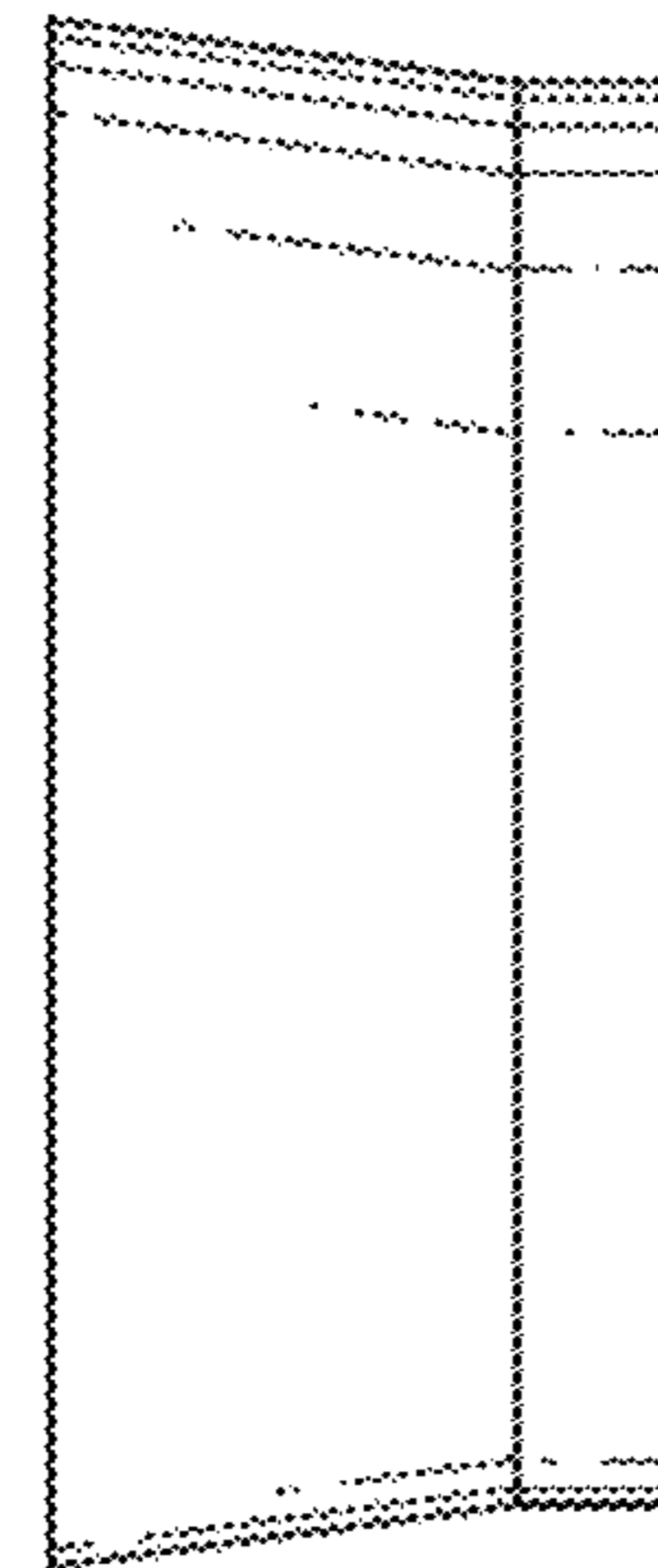


FIG. 22



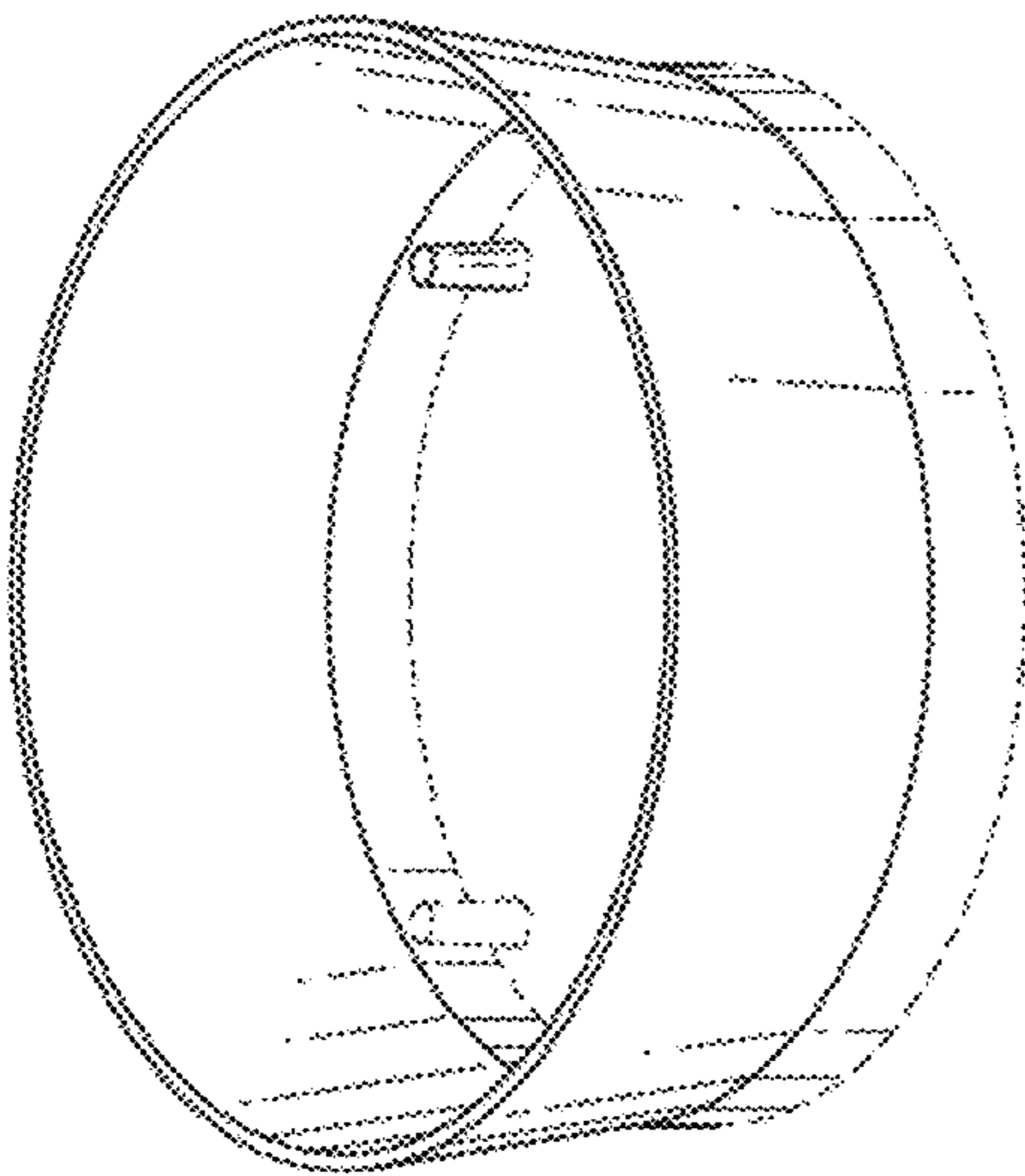


FIG. 23

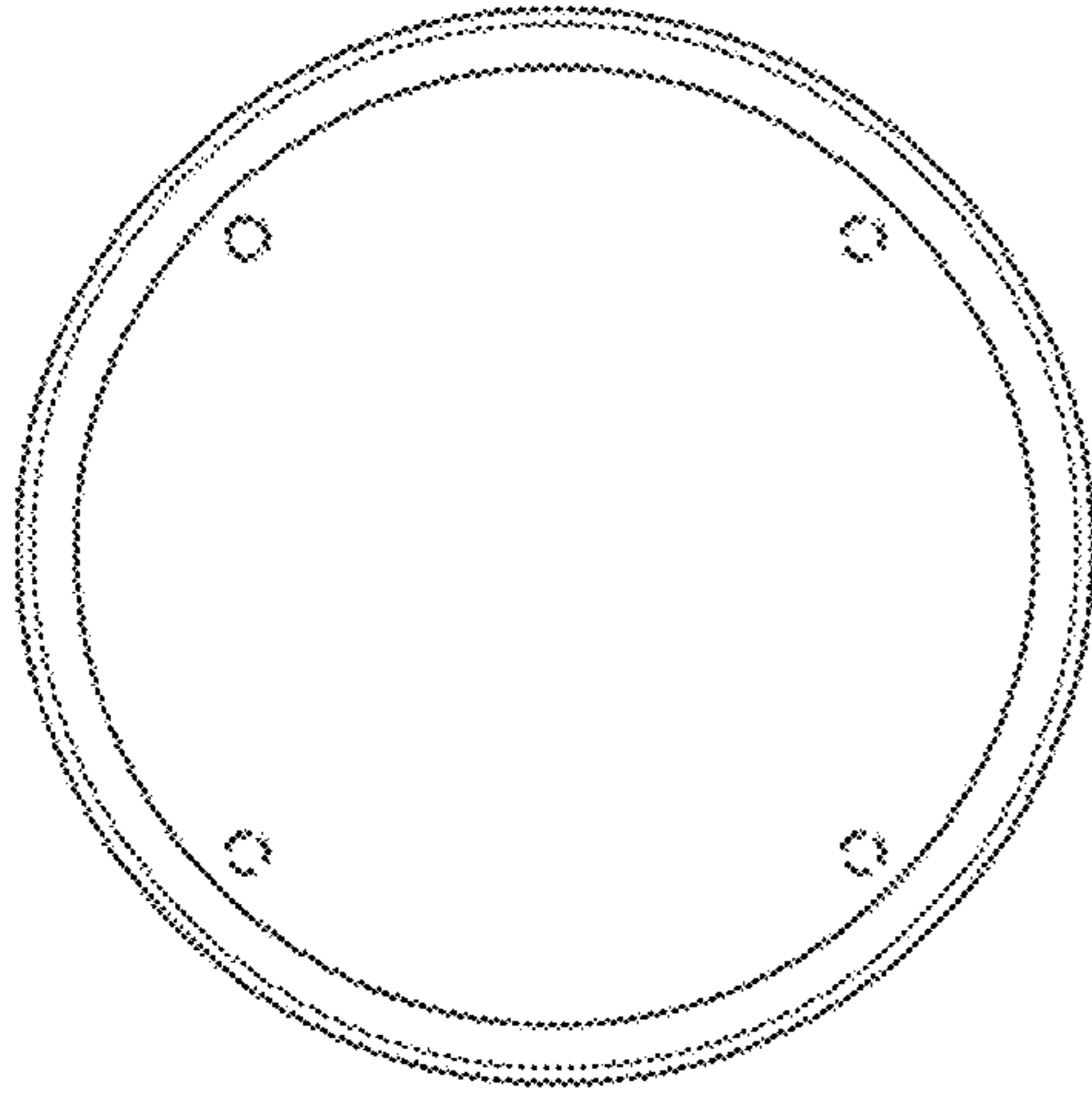


FIG. 24

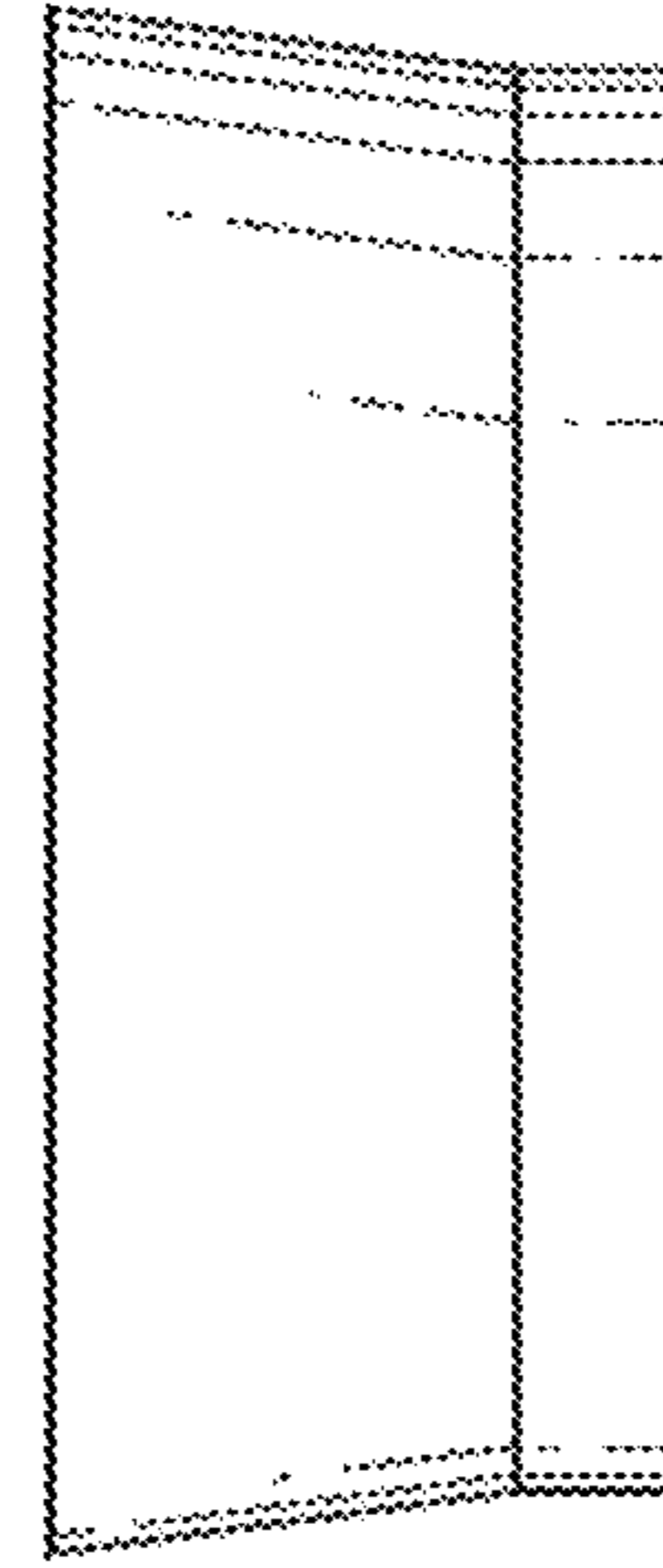


FIG. 25

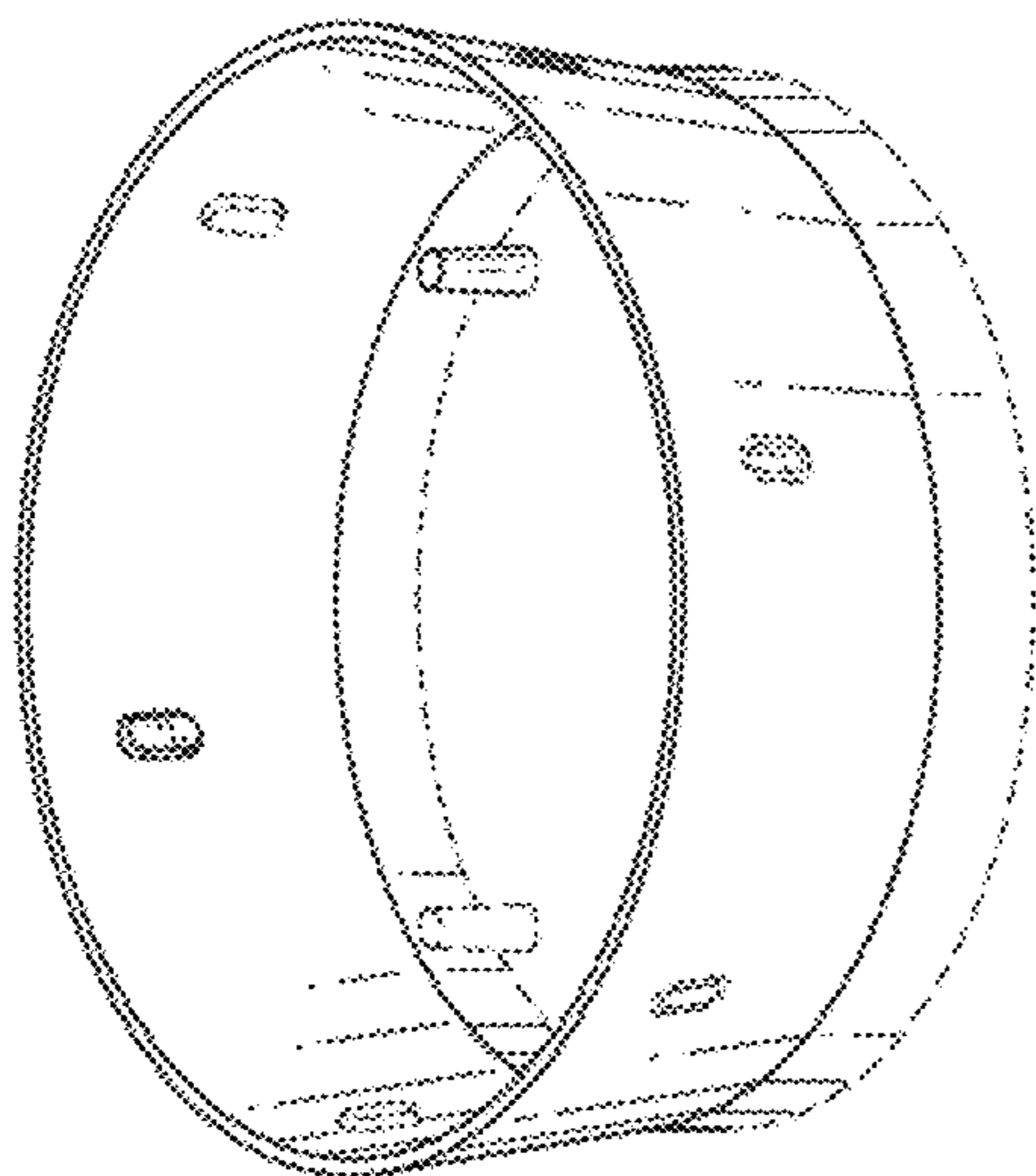


FIG. 26

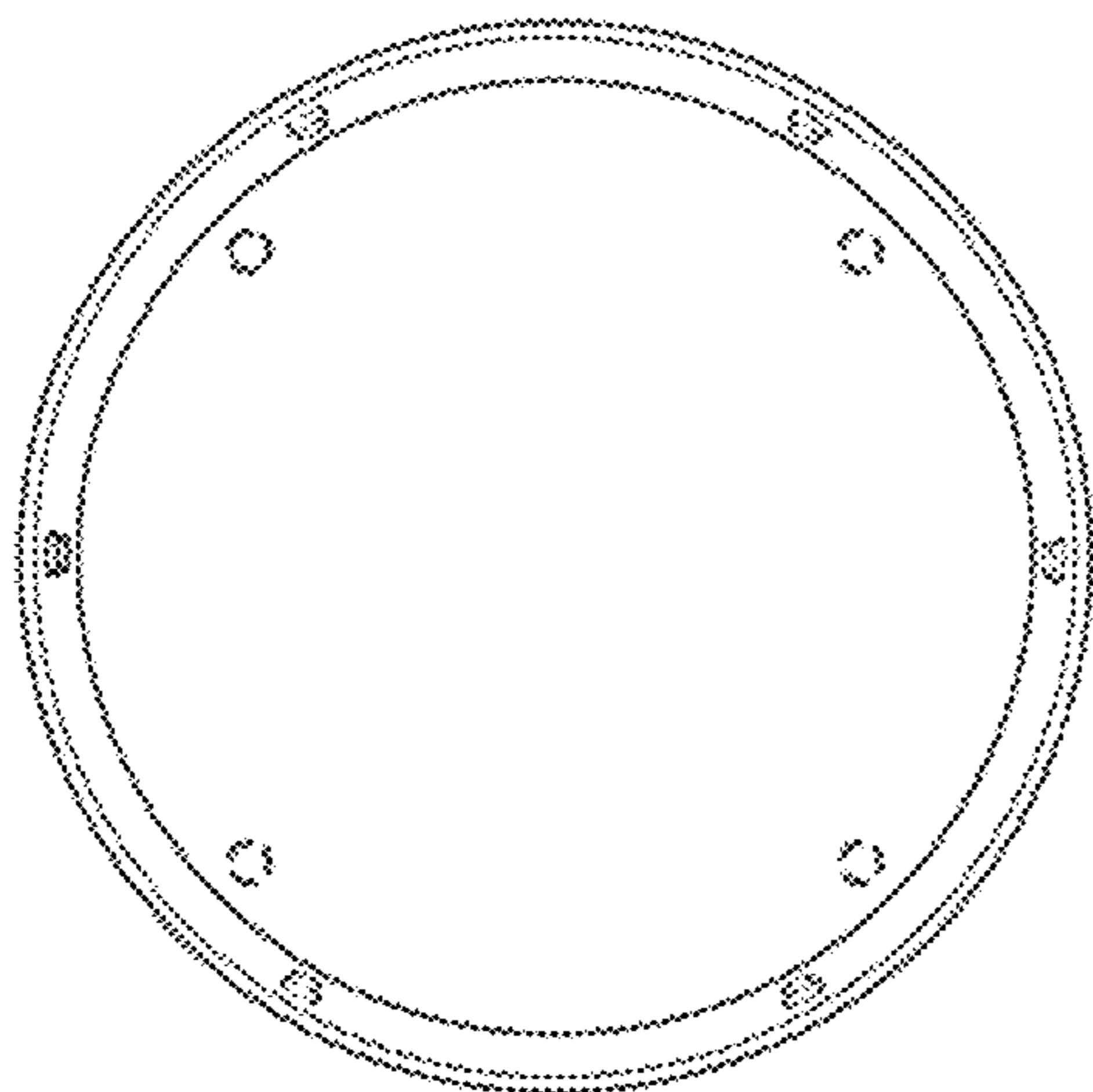


FIG. 27

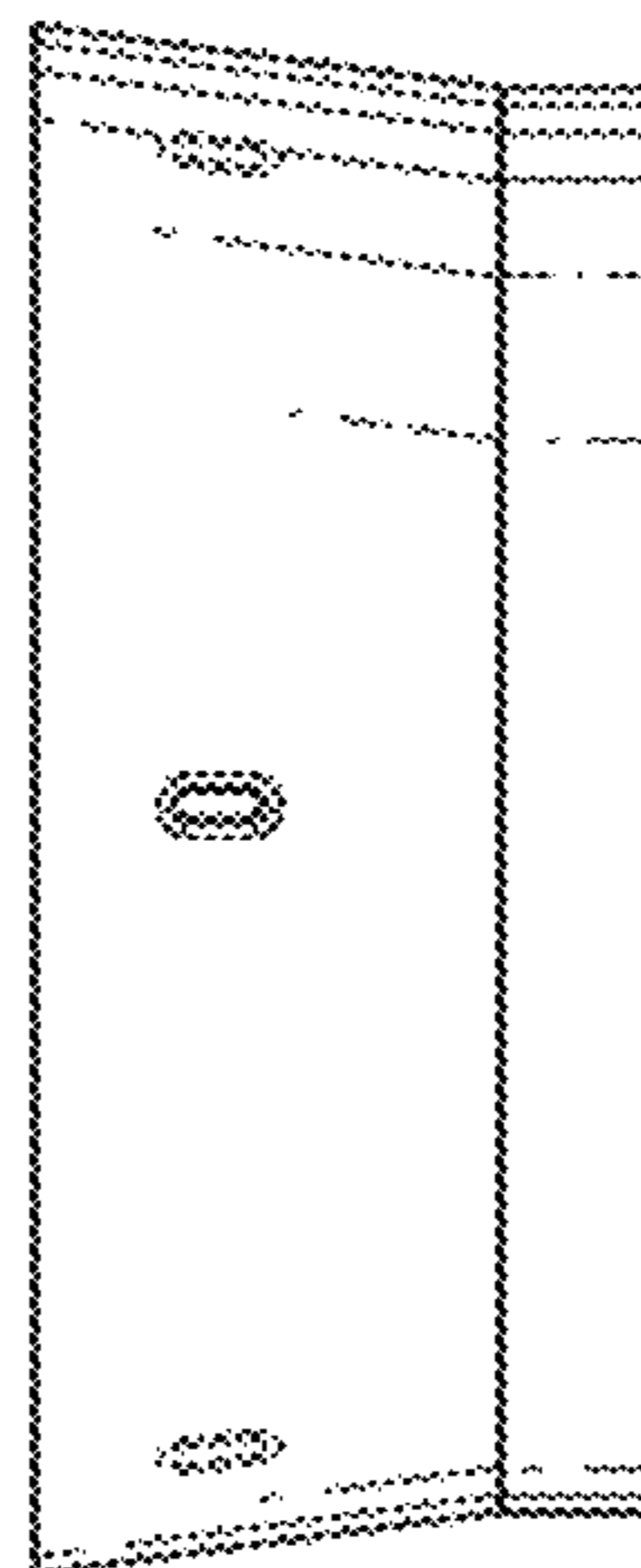


FIG. 28

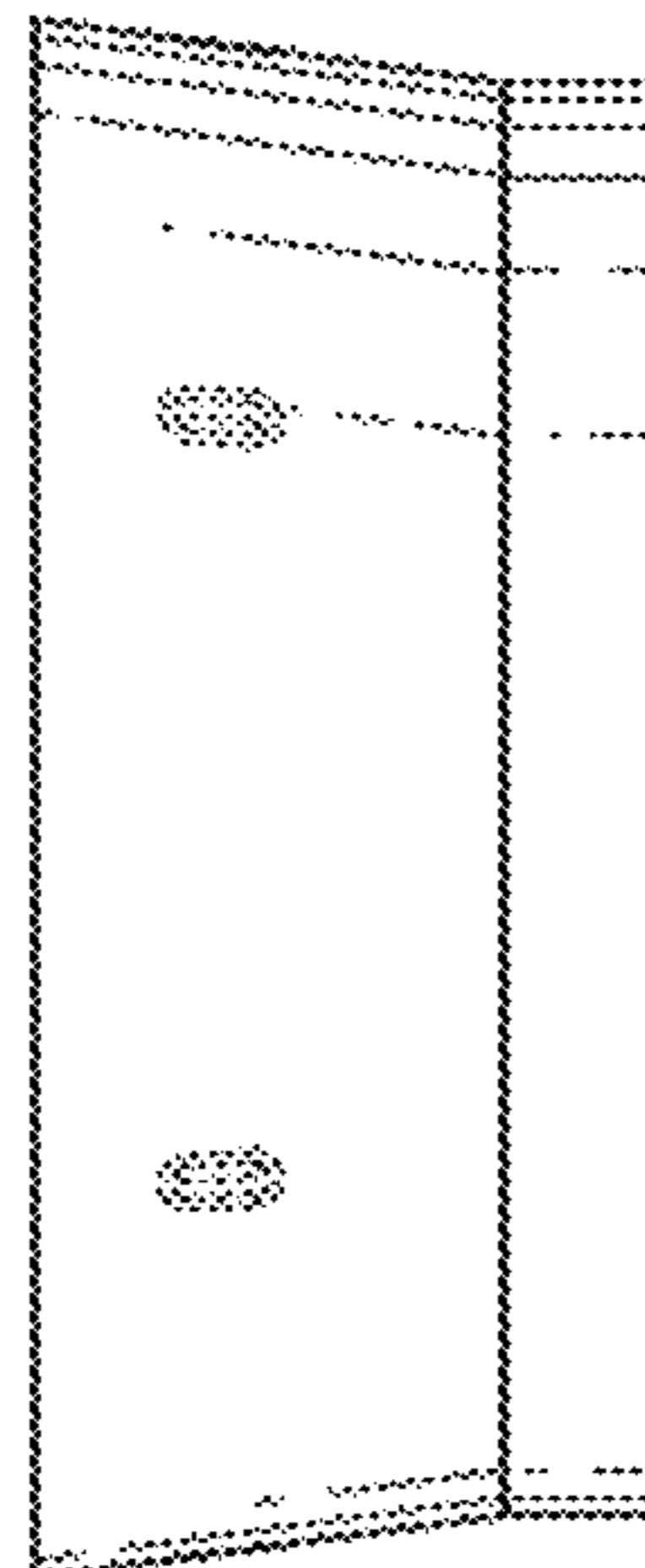


FIG. 29

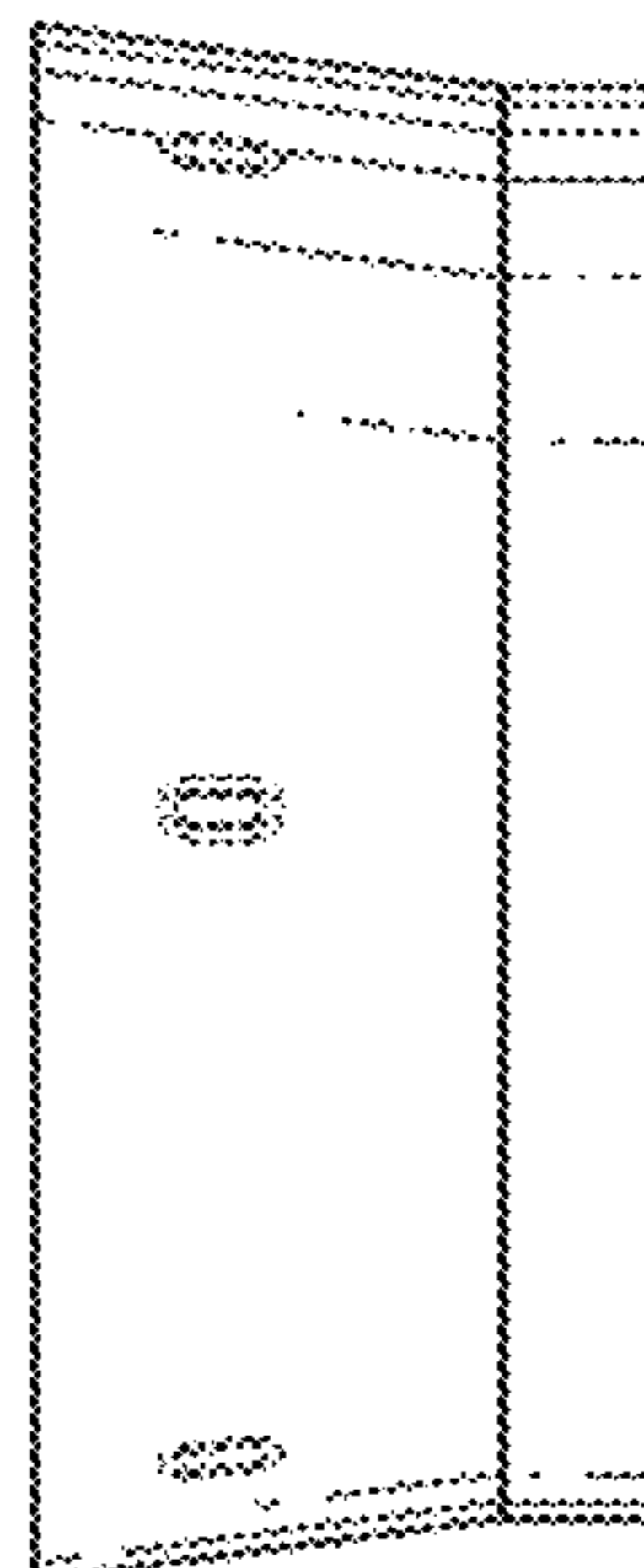


FIG. 30

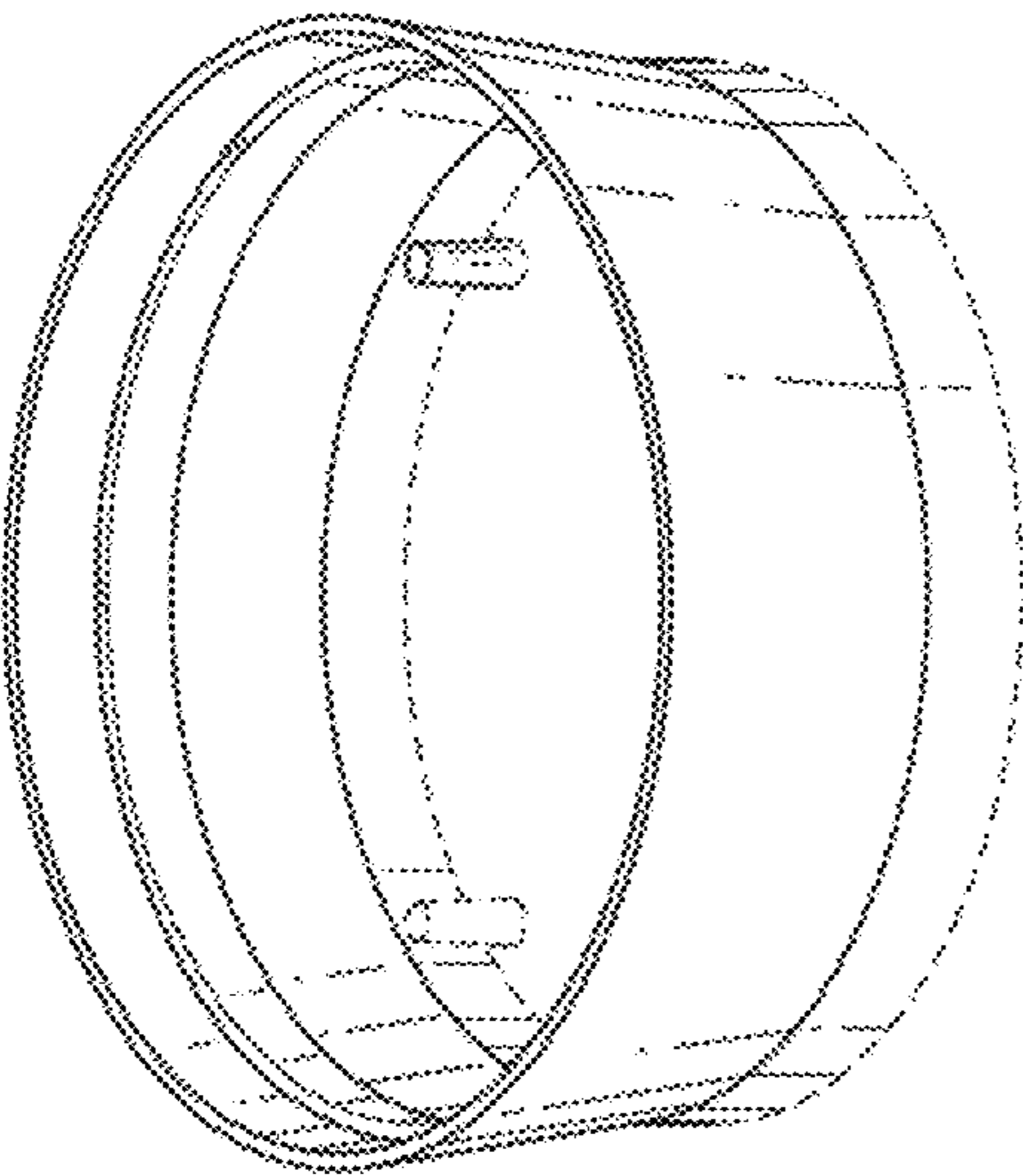


FIG. 31

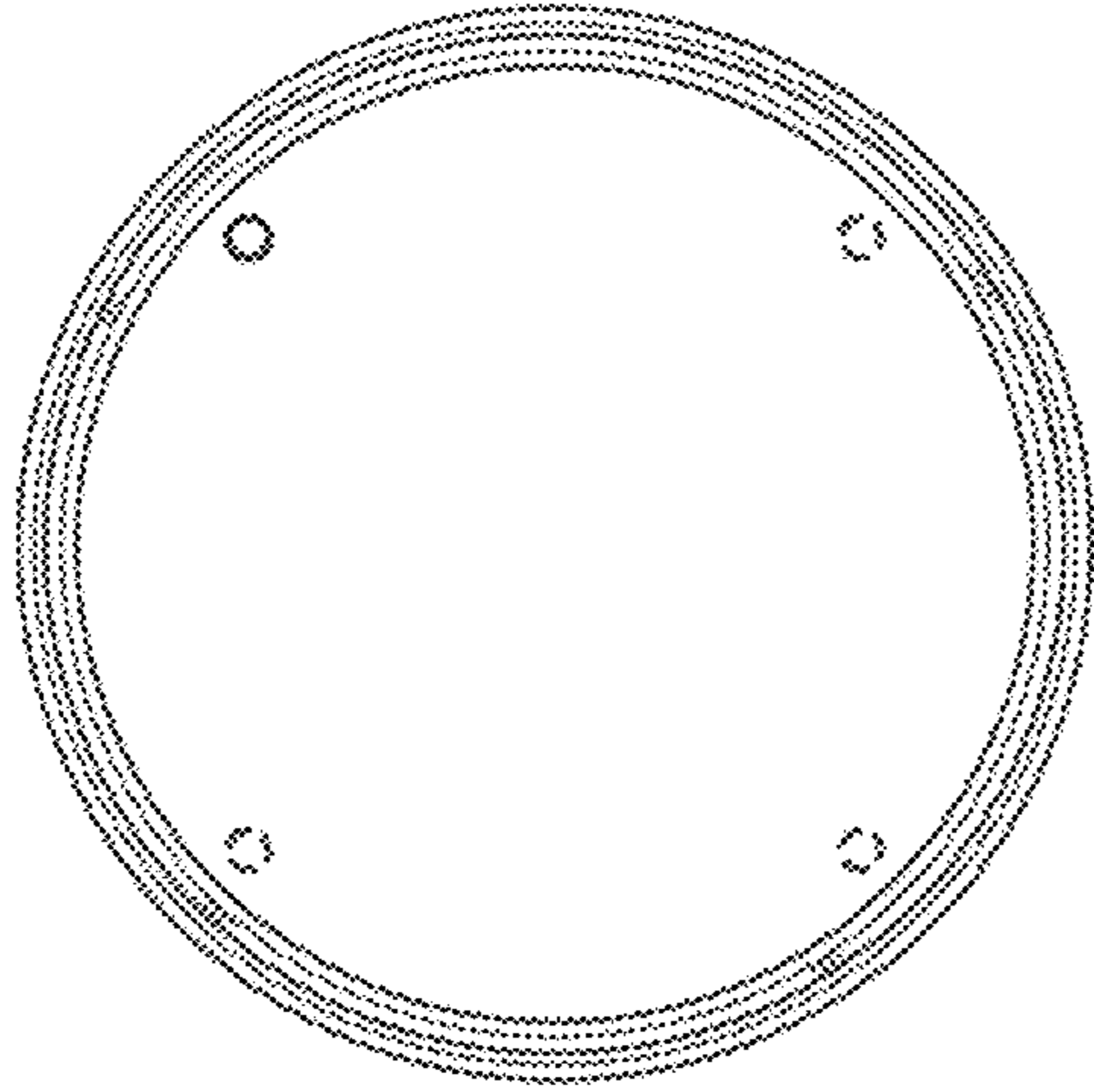


FIG. 32

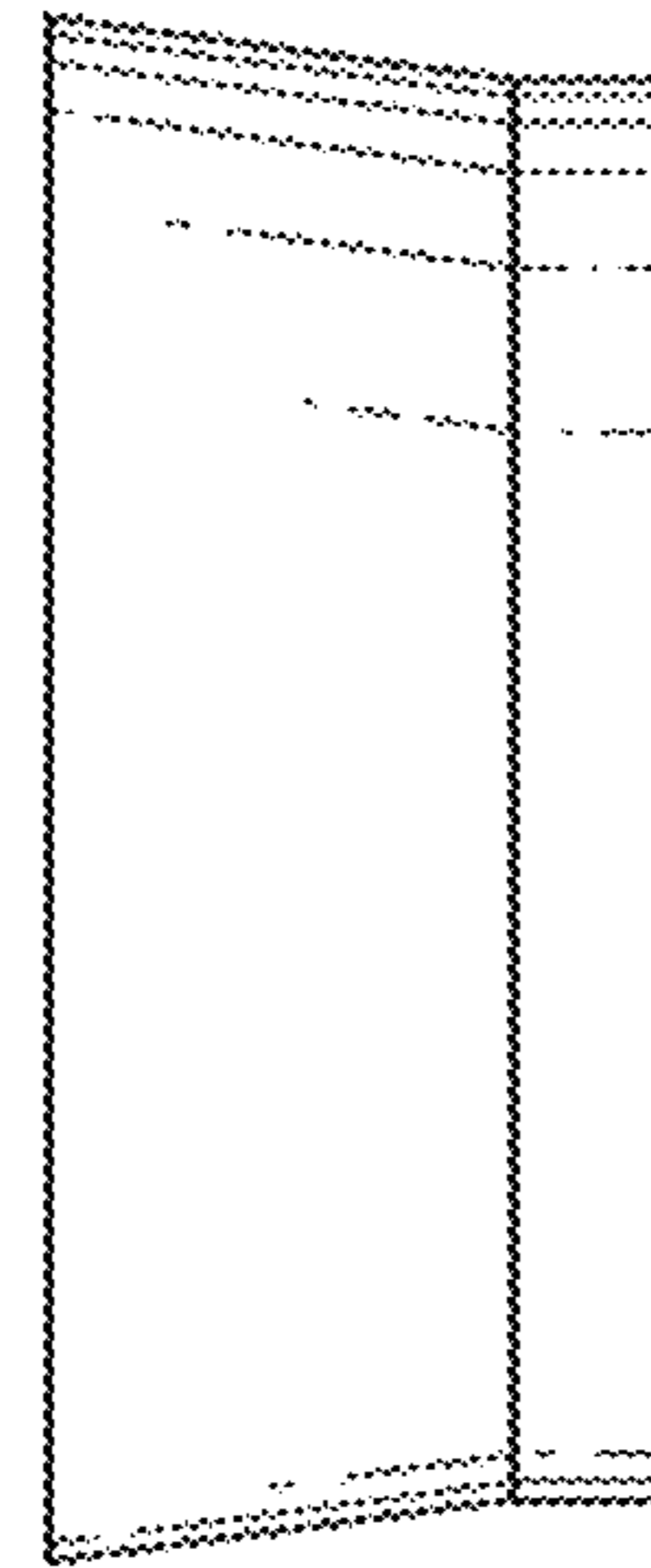


FIG. 33