



US00D781146S

(12) **United States Design Patent** (10) **Patent No.:** **US D781,146 S**
Seiders et al. (45) **Date of Patent:** **** Mar. 14, 2017**

(54) **LID**
(71) Applicant: **YETI Coolers, LLC**, Austin, TX (US)
(72) Inventors: **Roy Joseph Seiders**, Austin, TX (US);
Steve Nichols, Austin, TX (US);
Matthew Joseph Petrillo, Austin, TX (US)
(73) Assignee: **YETI Coolers, LLC**, Austin, TX (US)
(**) Term: **15 Years**
(21) Appl. No.: **29/544,227**
(22) Filed: **Oct. 30, 2015**
(51) **LOC (10) Cl.** **09-07**
(52) **U.S. Cl.**
USPC **D9/443**; D7/392.1; D7/396.2; D9/434;
D9/435; D9/436; D9/454
(58) **Field of Classification Search**
USPC D3/10, 202, 203.1, 203.2, 273, 275, 291,
D3/294, 318; D4/127, 129; D7/300,
D7/300.1, 313, 316, 317, 318, 387, 391,
D7/392.1, 393, 394, 396.2, 398, 402, 503,
D7/505, 507, 509, 510, 511, 513,
D7/523-531, 533, 538, 541, 542, 549,
D7/590, 605, 608, 629, 672, 703, 900;
D8/300, 302, 303, 306, 307, 308, 310,
D8/315, 333, 349, 350, 352, 354, 356,
D8/382, 383, 394, 395; D9/418,
D9/434-440, 443-450, 452-454, 502,
D9/503, 504, 516, 517, 529, 530, 531,
D9/534, 538, 543, 682, 686, 688, 715,
D9/718; D10/46.2; D11/26, 35;
D12/218; D13/103, 106, 118, 133, 154,
D13/158, 183, 703; D19/70, 71, 115,
(Continued)

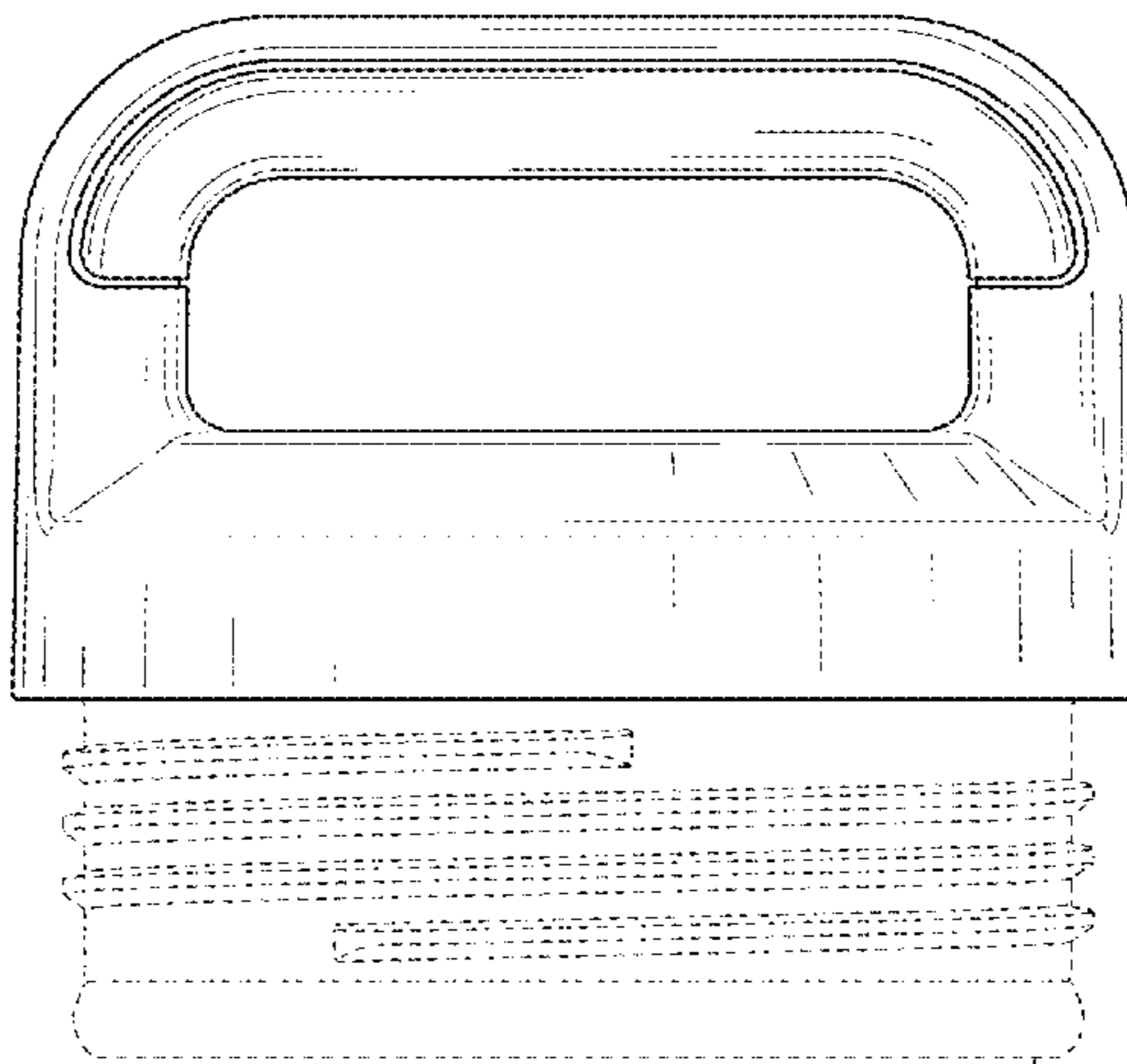
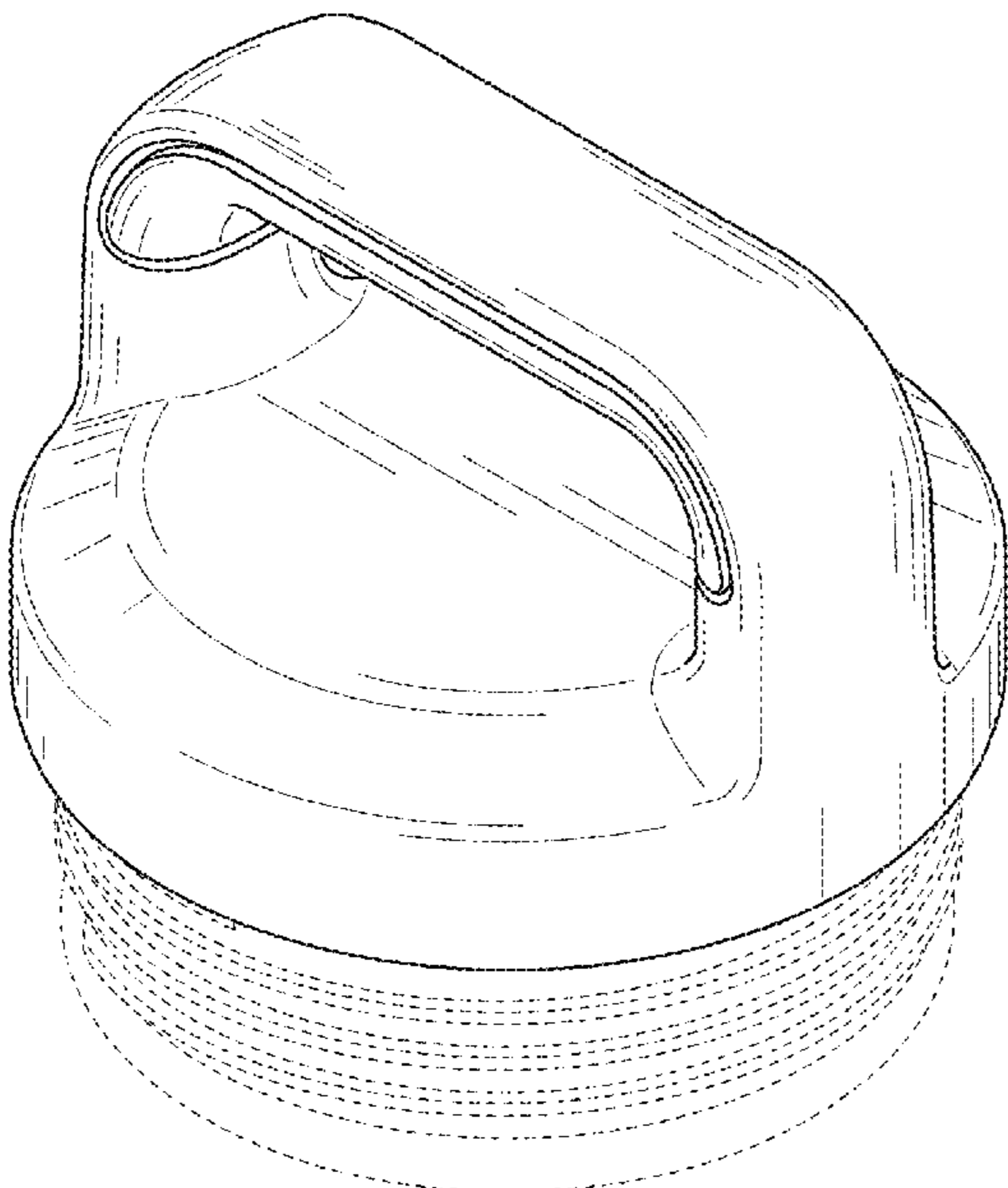
(56) **References Cited**
U.S. PATENT DOCUMENTS
D154,378 S 7/1949 Fuller
D235,303 S 6/1975 Boucher
(Continued)
FOREIGN PATENT DOCUMENTS
CN 301110494 * 1/2010
CN 303528321 * 12/2015
(Continued)

OTHER PUBLICATIONS
Yeti 36 oz. Rambler: Announced Jan. 11, 2016 [online], site visited [May 10, 2016]. Available from Internet URL: <http://yeticoolers.com/rambler-bottle-36-oz/>.
(Continued)
Primary Examiner — Sheryl Lane
Assistant Examiner — Catherine Posthauer
(74) *Attorney, Agent, or Firm* — Banner & Witcoff, Ltd.

(57) **CLAIM**
The ornamental design for a lid, as shown and described.

DESCRIPTION
FIG. 1 is a top, front, right perspective view of a lid showing our new design;
FIG. 2 is a front view thereof;
FIG. 3 is a rear view thereof;
FIG. 4 is a right side view thereof;
FIG. 5 is a left side view thereof;
FIG. 6 is a top view thereof; and,
FIG. 7 is a bottom view thereof.
The broken lines represent environmental subject matter that forms no part of the claimed design.

1 Claim, 4 Drawing Sheets



(58) **Field of Classification Search**

USPC D19/162, 163, 165, 192, 194; D24/121, D24/127, 197, 224; D26/36, 123, 124; D29/129, 130; D30/158, 159; D32/23, D32/24, 25, 34, 72; D34/7, 10, 11, 28; 215/200, 201, 205, 206, 209, 211, 212, 215/217, 218, 222, 224, 228, 230, 232, 215/270, 295, 329, 341, 344, 350; 220/212, 212.5, 220, 236, 253, 254.3, 220/288, 293, 294, 300, 324, 529.16, 220/592.17, 574, 575, 700, 703, 705; 222/148, 153.1, 182, 567
 CPC B65D 47/122; B65D 47/305; B65D 23/00; B65D 1/00; B65D 1/02; B65D 1/0223; B65D 50/041; B65D 25/18; B65D 41/04; B65D 51/242; B65D 39/08; A47G 19/00; A47G 19/2272; A47F 3/14; A47F 3/16; A47J 41/00
 See application file for complete search history.

(56) **References Cited**

U.S. PATENT DOCUMENTS

D256,651 S 9/1980 Leung et al.
 D279,346 S 6/1985 Ruxton
 D281,567 S 12/1985 Zimmermann
 D286,847 S 11/1986 Zimmermann
 D287,211 S 12/1986 Weiss
 D332,379 S * 1/1993 Murphy D7/391
 D368,224 S 3/1996 Arndt
 D398,193 S * 9/1998 Sanchez D7/608
 D415,395 S 10/1999 Hunt et al.
 D422,916 S 4/2000 Herrmann
 D456,669 S * 5/2002 Munari D7/392.1
 D458,133 S 6/2002 Berish et al.
 D458,134 S 6/2002 Berish et al.
 D479,800 S 9/2003 McRae
 D482,607 S 11/2003 McRae
 D494,425 S * 8/2004 Segura D7/608
 D524,909 S 7/2006 Bakke et al.
 D525,518 S * 7/2006 Baldwin D8/310
 D564,363 S 3/2008 Rhea
 D572,585 S 7/2008 Perrin et al.
 D603,331 S * 11/2009 Schupp D13/103
 D604,561 S 11/2009 Chisholm
 D612,235 S 3/2010 Cresswell et al.
 D614,918 S 5/2010 Chisholm
 D615,360 S 5/2010 Joy et al.
 D615,816 S 5/2010 Joy et al.
 D616,703 S 6/2010 Joy et al.
 D616,743 S 6/2010 Cresswell et al.
 D616,744 S 6/2010 Cresswell et al.
 D620,798 S 8/2010 Cresswell et al.
 D621,257 S 8/2010 Gullickson et al.
 D621,258 S 8/2010 Gullickson et al.
 D622,089 S 8/2010 Daniel et al.
 D626,416 S 11/2010 Cresswell et al.
 D627,601 S 11/2010 Eyal
 D627,602 S 11/2010 Eyal
 D628,486 S 12/2010 Lane
 D630,475 S * 1/2011 Lu D7/629
 D631,666 S 2/2011 Lim et al.
 D633,338 S 3/2011 Rosbach et al.
 D635,457 S 4/2011 Lane
 D638,695 S * 5/2011 Woodrow D8/382
 D651,847 S 1/2012 Gilbert
 D652,255 S 1/2012 Carland

D657,196 S * 4/2012 Beyers, III D7/513
 D658,064 S 4/2012 Barnes et al.
 D662,360 S 6/2012 George
 8,215,511 B1 * 7/2012 Lin B65D 39/08
 215/228
 D664,809 S 8/2012 Eyal
 D665,621 S 8/2012 Eyal
 D668,913 S 10/2012 Mayer
 D672,238 S 12/2012 Aziz et al.
 D672,609 S 12/2012 Aziz et al.
 D675,100 S 1/2013 Herbst
 D680,389 S * 4/2013 Zemel D7/672
 D688,093 S * 8/2013 Roth D7/392.1
 D702,506 S 4/2014 Mettler et al.
 D708,954 S 7/2014 Barnes et al.
 D712,254 S 9/2014 Geis et al.
 D712,255 S 9/2014 Geis et al.
 D713,365 S 9/2014 Green
 D717,102 S 11/2014 Taketani et al.
 D724,385 S 3/2015 Hurley et al.
 D728,315 S 5/2015 Bo
 D728,995 S * 5/2015 Barberi D7/394
 D729,579 S 5/2015 Molayem
 D735,578 S * 8/2015 Mazurkiewicz D9/443
 D754,472 S * 4/2016 Munari D7/393
 2011/0186585 A1 * 8/2011 Lu A47J 41/00
 220/575
 2014/0353275 A1 * 12/2014 Hung B65D 47/305
 215/311

FOREIGN PATENT DOCUMENTS

JP 1530358 8/2015
 KR 300303813.0000 * 8/2002
 KR 300751936.0000 * 7/2014
 KR 300764889.0000 * 10/2014
 WO D088688-002 1/2016
 WO WOD088688-002 * 1/2016

OTHER PUBLICATIONS

Kold Vacuum Insulated Stainless Steel Sports Bottle: Announced Dec. 8, 2015 [online], site visited [May 11, 2016]. Available from Internet URL: <http://www.amazon.com/KOLD-Sports-Water-Bottles-Insulated/dp/B018YHK79E/ref=cm>.
 KOLD Vacuum Insulated Stainless Steel Sports Bottle: Announced Dec. 8, 2015 [online], site visited [May 11, 2016]. Available from Internet URL: <http://www.amazon.com/KOLD-Sports-Water-Bottles-Insulated/dp/B018YH K79E/ref=cm>.
 United States District Court Western District of Texas Austin Division, "Complaint for Damages and Injunctive Relief," *YETI Coolers, LLC v. RTIC Coolers, LLC, RTIC Drinkware, LLC, and RTIC Web Services, LLC*, Case: 1:16-cv-00985, Document #1, filed Aug. 18, 2016, 27 pages.
 United States District Court Western District of Texas Austin Division, "Defendants' Motion to Dismiss Pursuant to Rule 12(b)(6)," *YETI Coolers, LLC v. RTIC Coolers, LLC, RTIC Drinkware, LLC, and RTIC Web Services, LLC*, Case: 1:16-cv-00985, Document #9, filed Sep. 23, 2016, 27 pages.
 English translation of Office Action issued on Nov. 1, 2016 for JP Application No. 2016-9605, 2 pages.
 English translation of Office Action issued on Nov. 1, 2016 for JP Application No. 2016-9606, 2 pages.
 English translation of Office Action issued on Oct. 4, 2016 for JP Application No. 2016-9607, 2 pages.
 English translation of Office Action issued on Oct. 4, 2016 for JP Application No. 2016-9608, 2 pages.

* cited by examiner

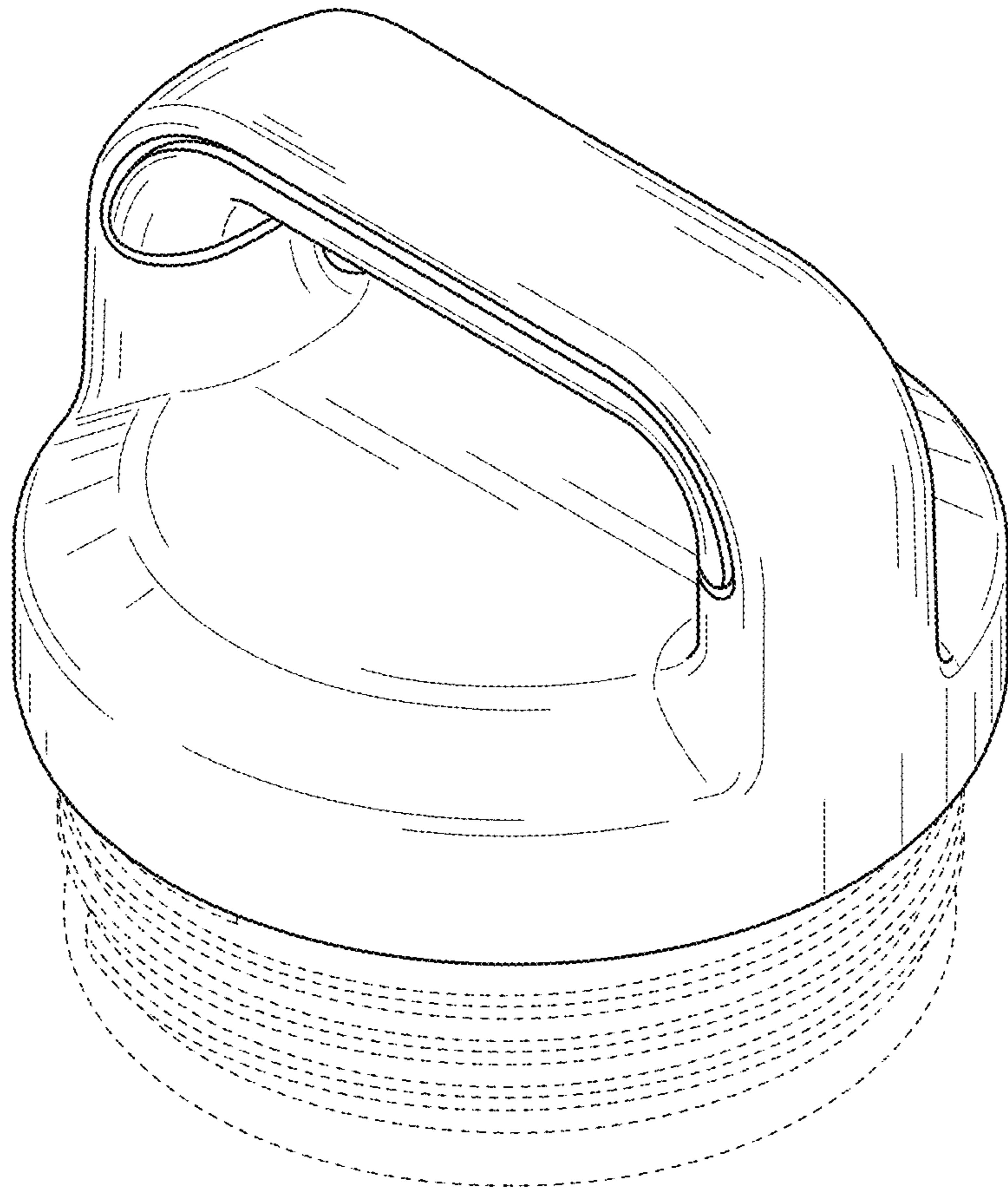


FIG. 1

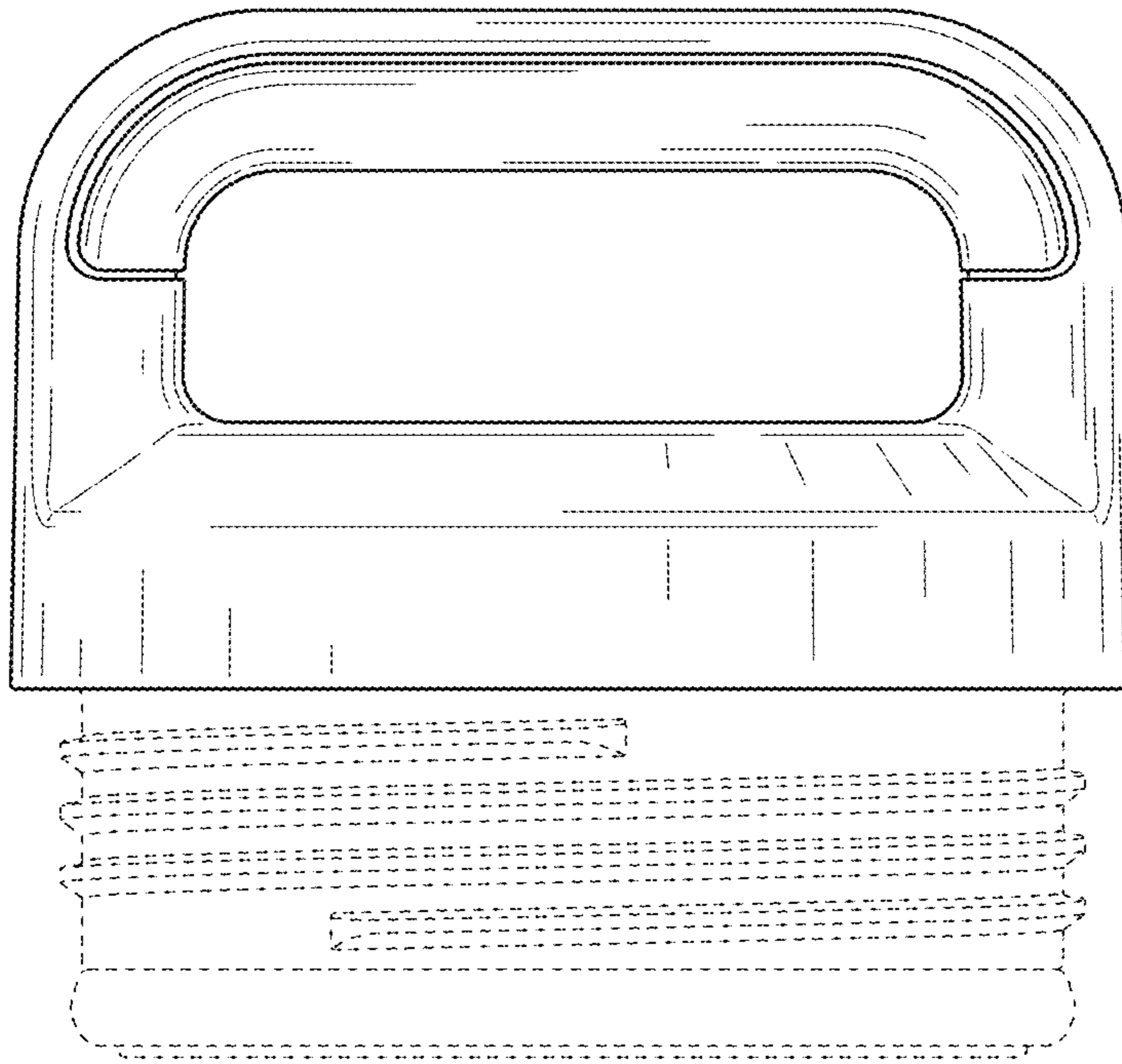


FIG. 2

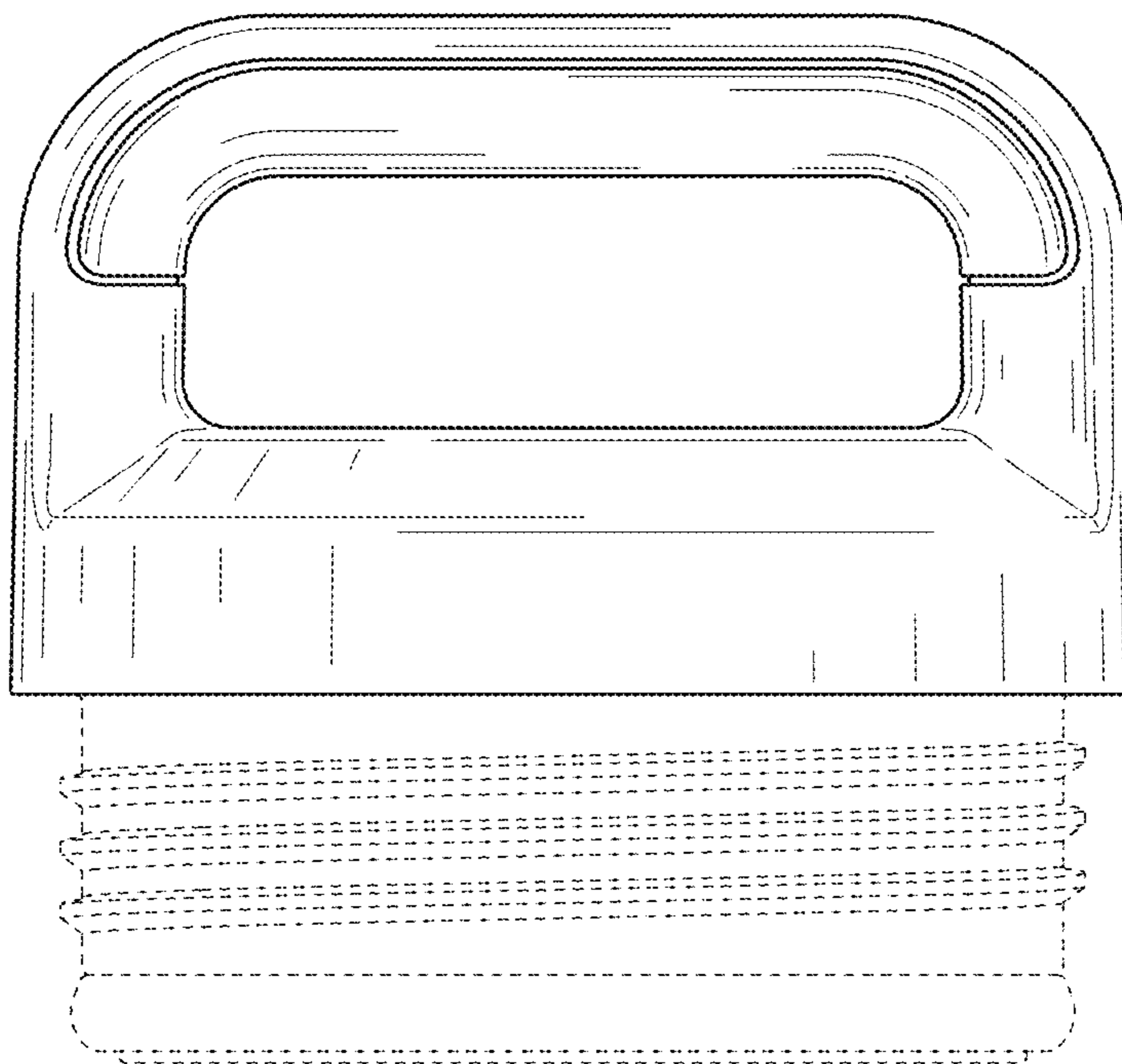


FIG. 3

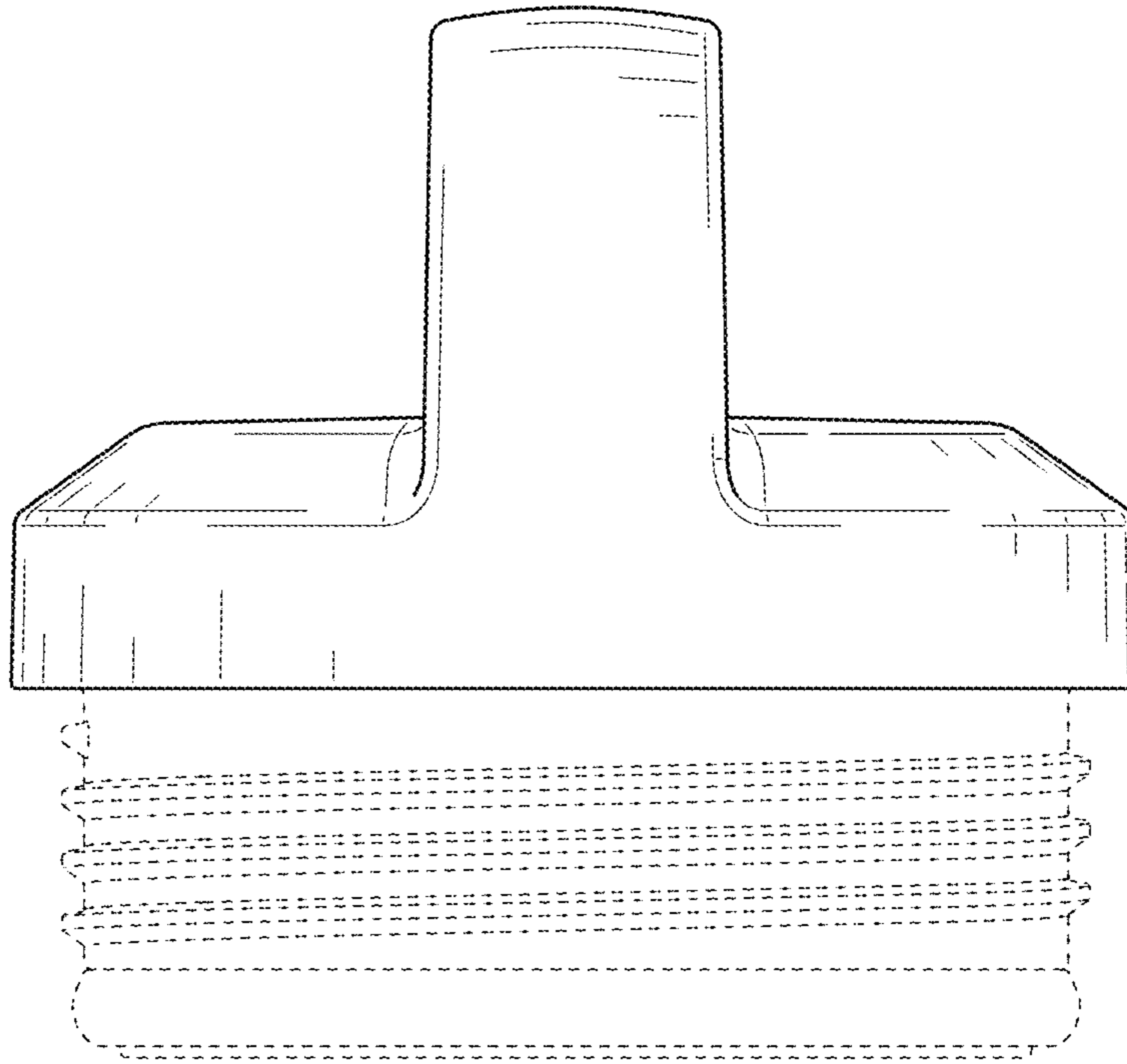


FIG. 4

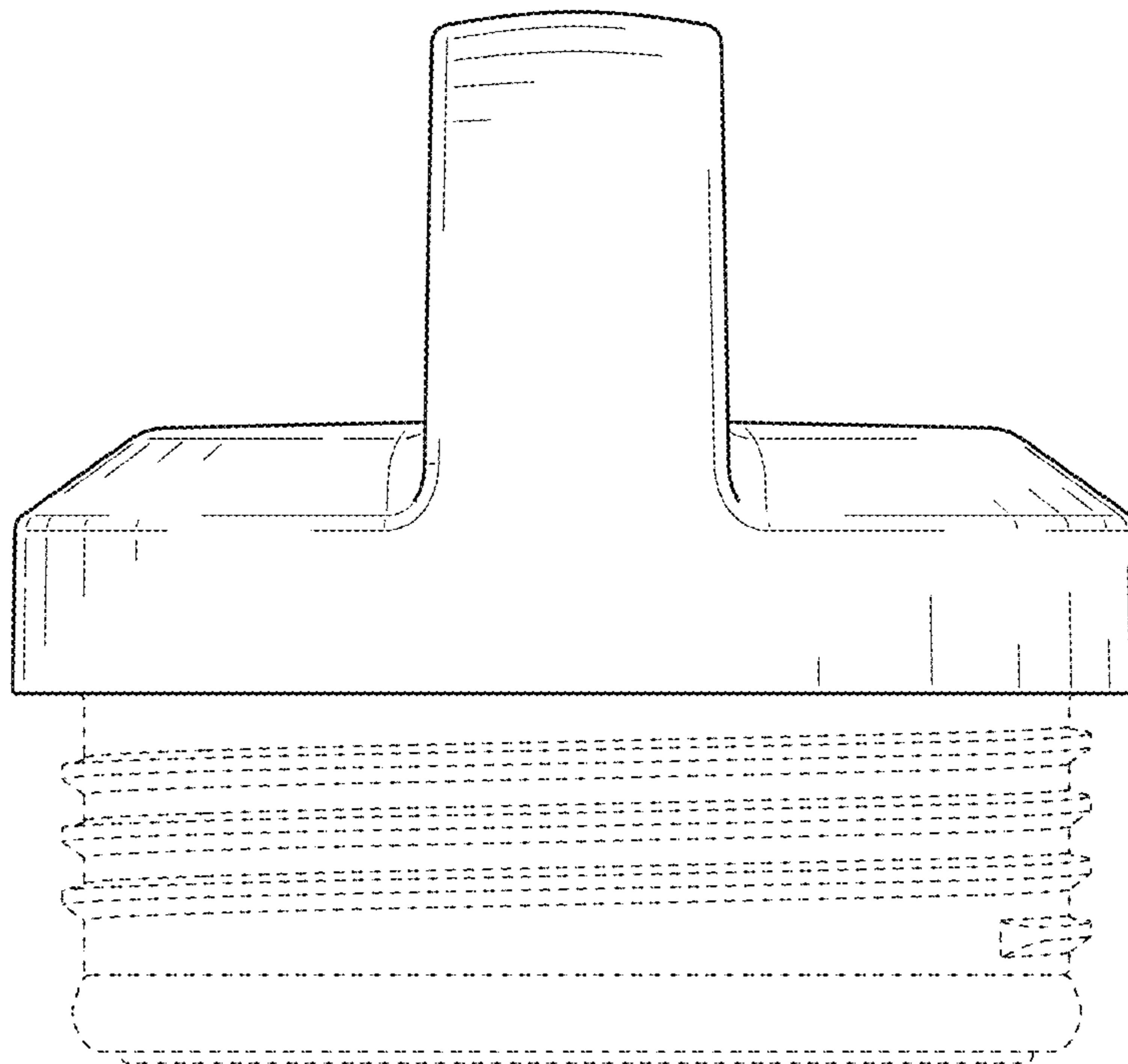


FIG. 5

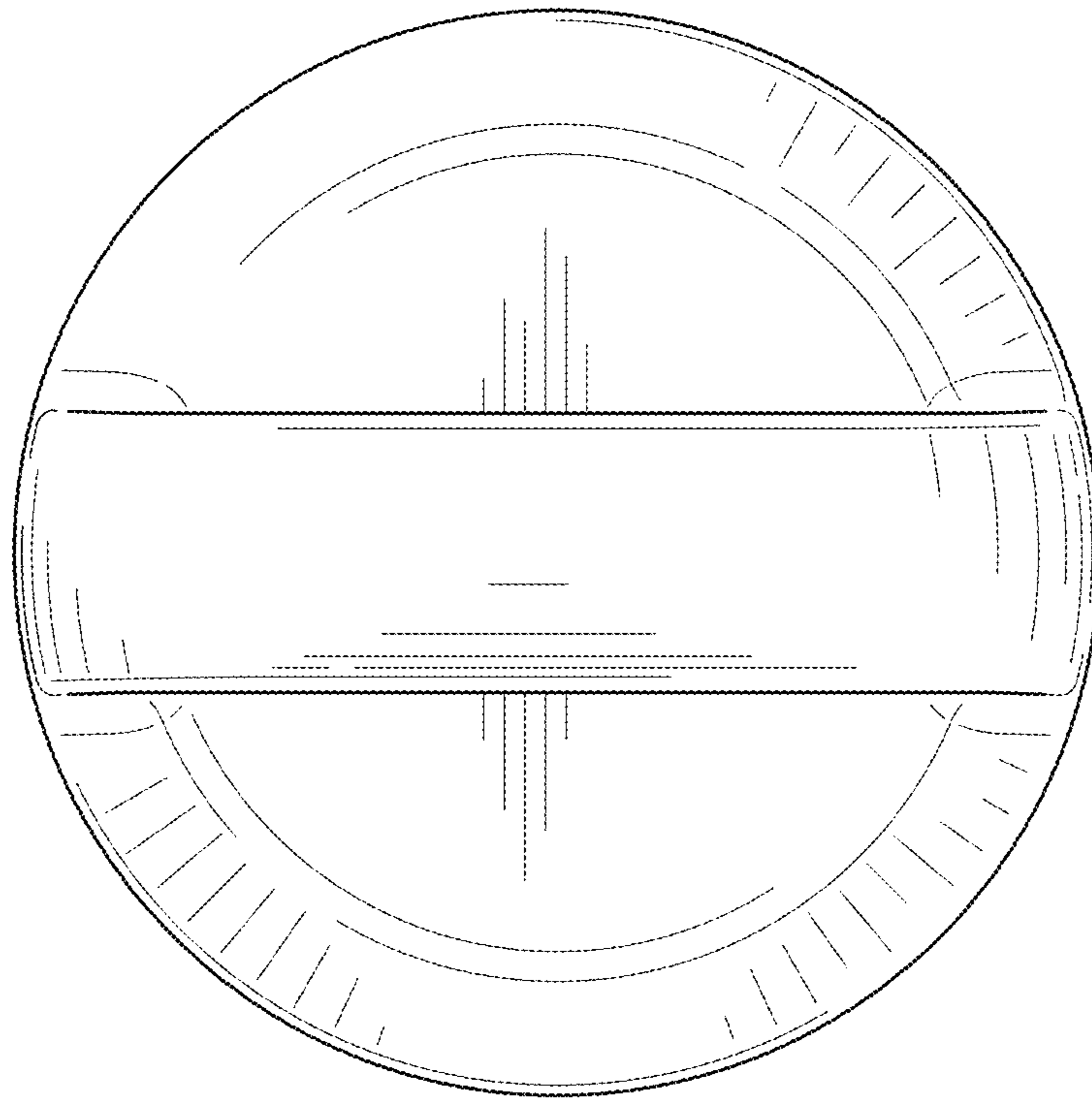


FIG. 6

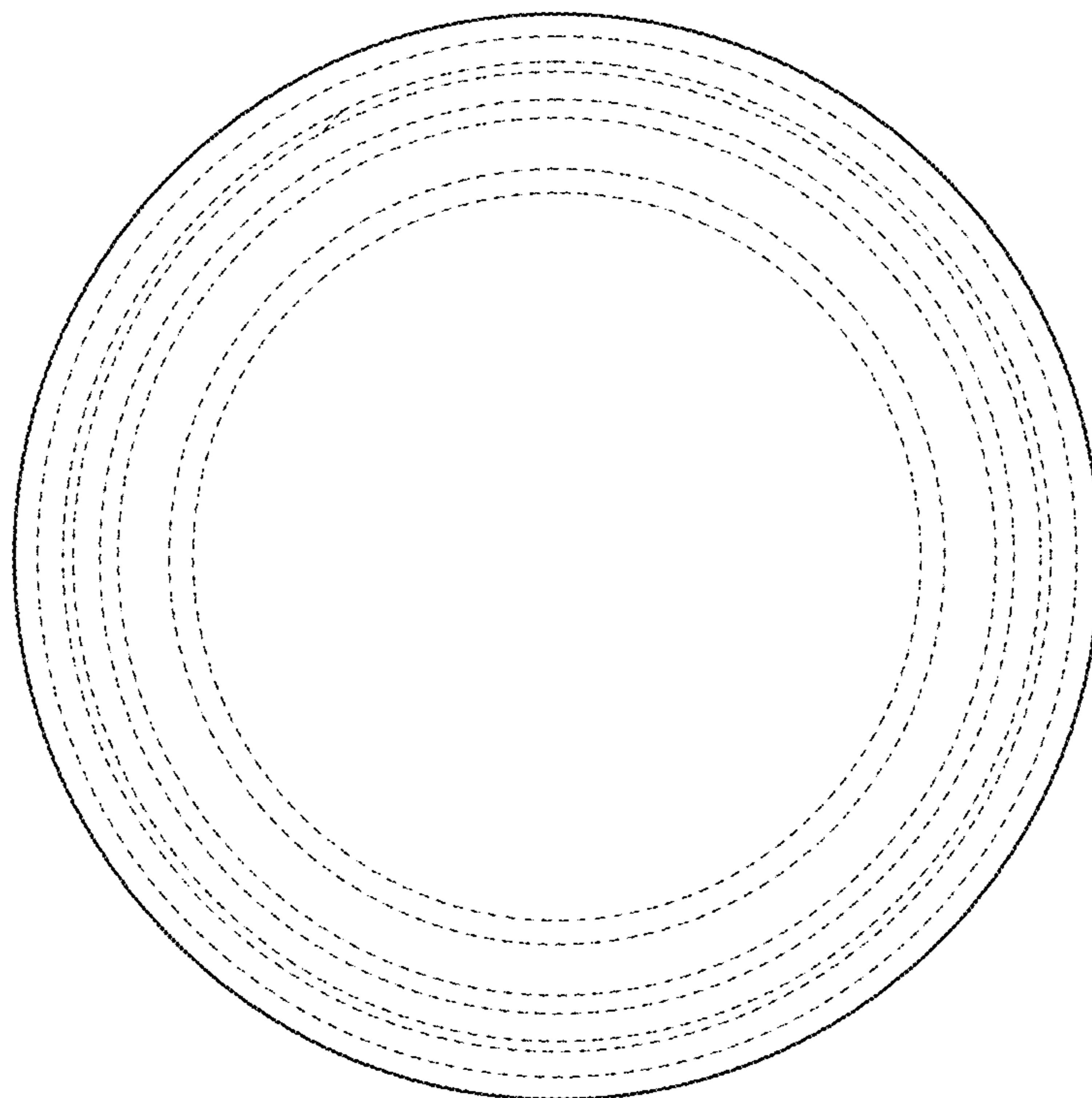


FIG. 7