



US00D781144S

(12) **United States Design Patent** (10) **Patent No.:** **US D781,144 S**  
**Bazoberry** (45) **Date of Patent:** **\*\* Mar. 14, 2017**

(54) **BOTTLE TOPPER WITH SUPPORT LEGS**

FOREIGN PATENT DOCUMENTS

(71) Applicant: **Carlos Fernando Bazoberry**, Chestnut Hill, MA (US)

FR 2756347 5/1998  
KR 10-2012-0002672 1/2012

(72) Inventor: **Carlos Fernando Bazoberry**, Chestnut Hill, MA (US)

*Primary Examiner* — Robert M Spear  
*Assistant Examiner* — Darcey E Heflin  
(74) *Attorney, Agent, or Firm* — Thomas P. O’Connell;  
O’Connell Law Firm

(\*\*) Term: **15 Years**

(57) **CLAIM**

(21) Appl. No.: **29/533,691**

I claim the ornamental design for a bottle topper with support legs, as shown and described.

(22) Filed: **Jul. 21, 2015**

**DESCRIPTION**

(51) **LOC (10) Cl.** ..... **09-07**

(52) **U.S. Cl.**  
USPC ..... **D9/439**

(58) **Field of Classification Search**  
USPC ..... D9/433–436, 439, 440, 443, 444, 445,  
D9/447, 455–457, 499  
CPC ..... B65D 23/10  
See application file for complete search history.

FIG. 1 is a perspective view of the bottle topper with support legs applied to a neck of a bottle with legs of the bottle topper with support legs in a supporting position;  
FIG. 2 is a view in front elevation of the bottle topper with support legs applied to a neck of a bottle with the legs in an aligned position;  
FIG. 3 is a view in rear elevation of the bottle topper with support legs applied to a neck of a bottle with the legs in an aligned position;  
FIG. 4 is a view in front elevation of the bottle topper with support legs;  
FIG. 5 is a view in rear elevation of the bottle topper with support legs;  
FIG. 6 is a view in left side elevation of the bottle topper with support legs;  
FIG. 7 is a view in right side elevation of the bottle topper with support legs;  
FIG. 8 is a top plan view of the bottle topper with support legs; and,  
FIG. 9 is a bottom plan view of the bottle topper with support legs.

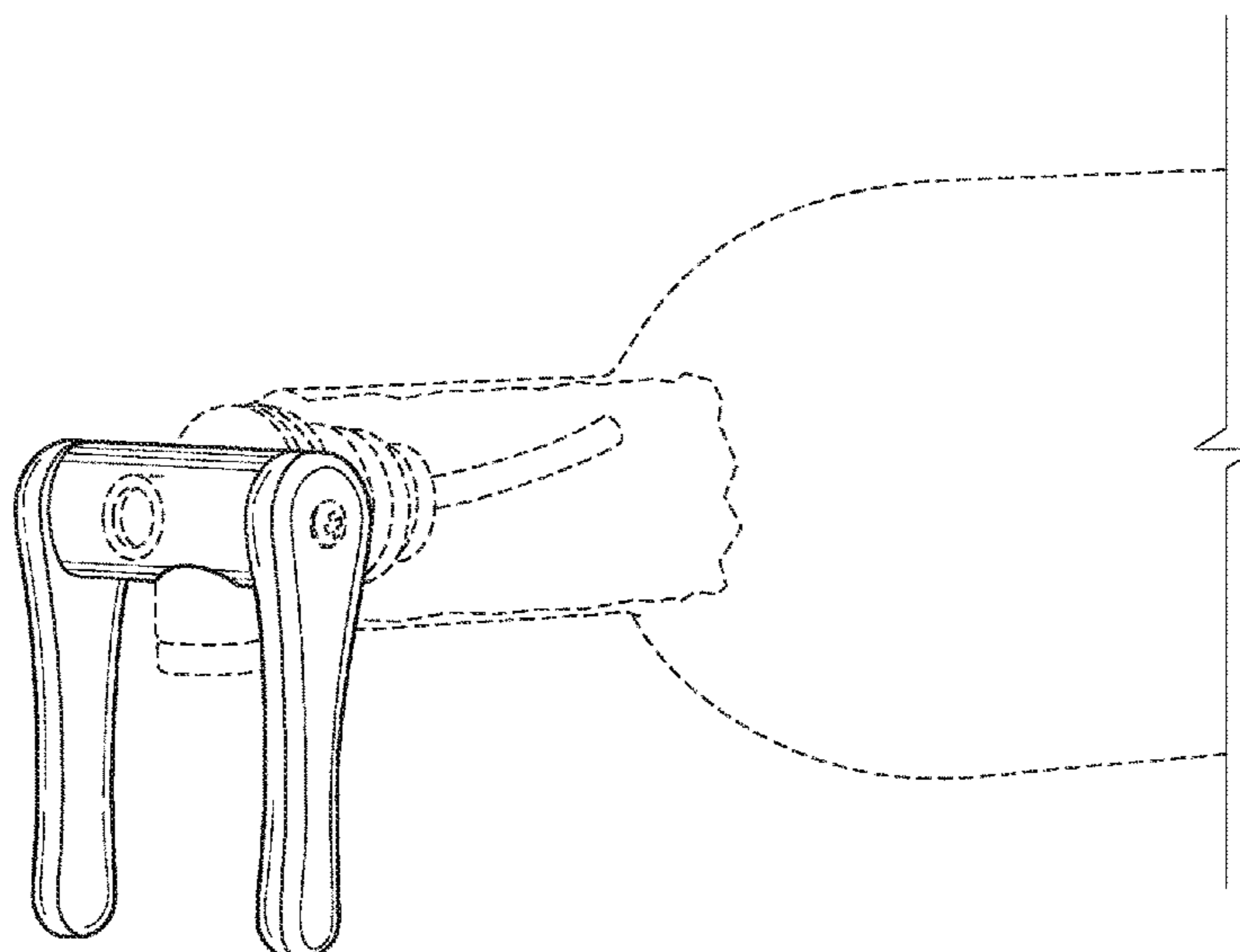
(56) **References Cited**

U.S. PATENT DOCUMENTS

3,343,701 A 9/1967 Mahoney  
4,392,578 A 7/1983 Fipp et al.  
4,473,174 A 9/1984 Heuser  
4,477,477 A 10/1984 Arter  
4,684,033 A 8/1987 Marcus  
4,702,396 A 10/1987 Gwiazda  
4,984,711 A 1/1991 Ellis  
5,139,179 A 8/1992 Cecil  
D342,448 S \* 12/1993 Ritcey ..... D9/435  
5,458,165 A 10/1995 Liebmann, Jr.  
5,667,110 A 9/1997 McCann et al.  
7,051,901 B2 5/2006 Hickert  
7,395,949 B2 7/2008 Ehret et al.  
8,033,431 B2 10/2011 Sommerfield et al.

The bottle and the portions of the bottle topper with support legs shown in broken lines are shown for illustrative purposes only and do not form part of the claimed design.

**1 Claim, 8 Drawing Sheets**



(56)

**References Cited**

U.S. PATENT DOCUMENTS

D701,459 S \* 3/2014 Ghosh ..... D24/231  
D702,550 S \* 4/2014 Rendo ..... D9/434  
D709,372 S \* 7/2014 Williams ..... D9/447  
D709,760 S \* 7/2014 Castell, Jr. .... D9/434  
D755,627 S \* 5/2016 Epstein ..... D9/440  
9,340,403 B2 \* 5/2016 Daly ..... B67D 1/0437  
D758,858 S \* 6/2016 Greenfield ..... D9/443  
2014/0319179 A1 \* 10/2014 Bazoberry ..... A23L 2/44  
222/152  
2016/0207752 A1 \* 7/2016 Bazoberry ..... B67D 1/0412

\* cited by examiner

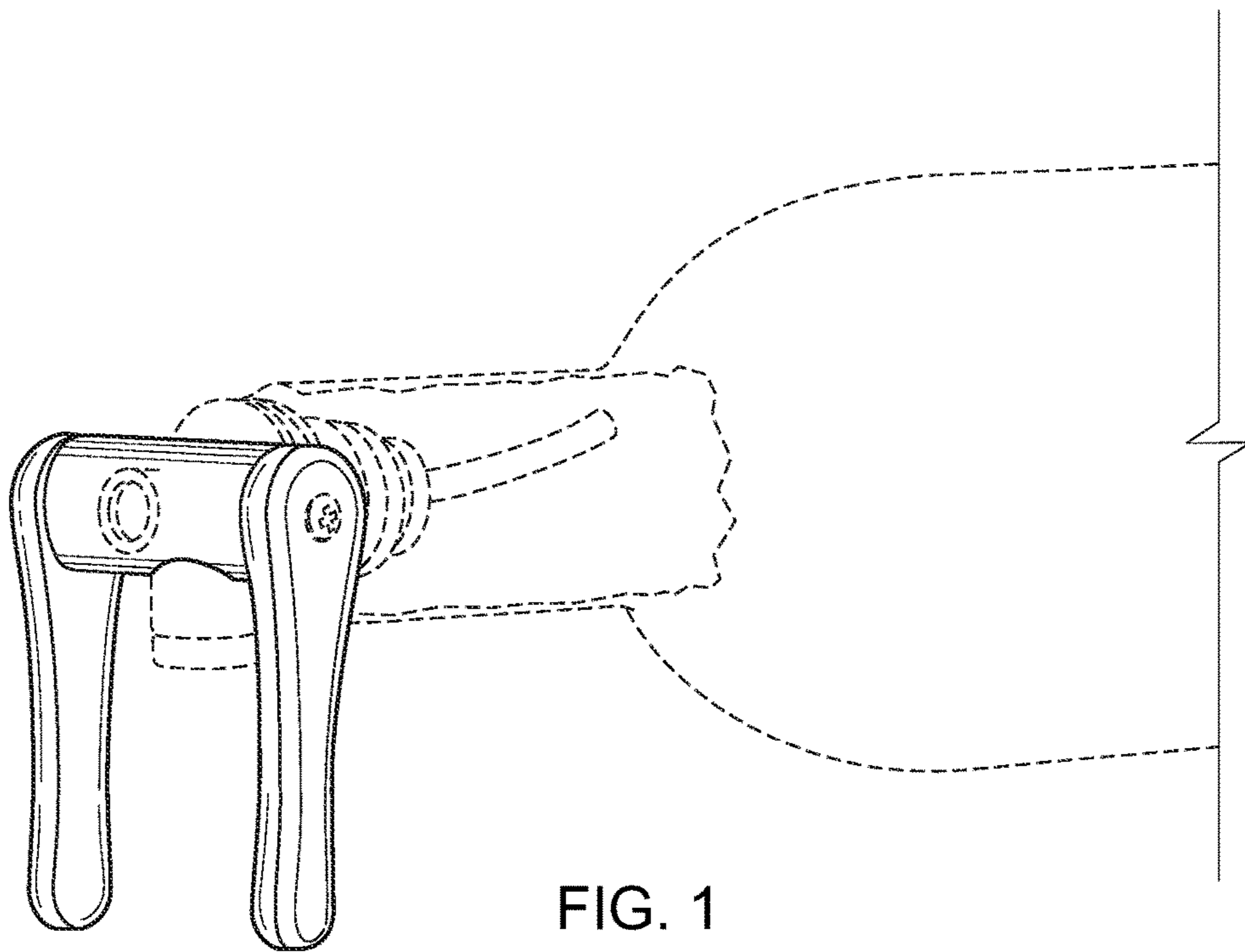


FIG. 1

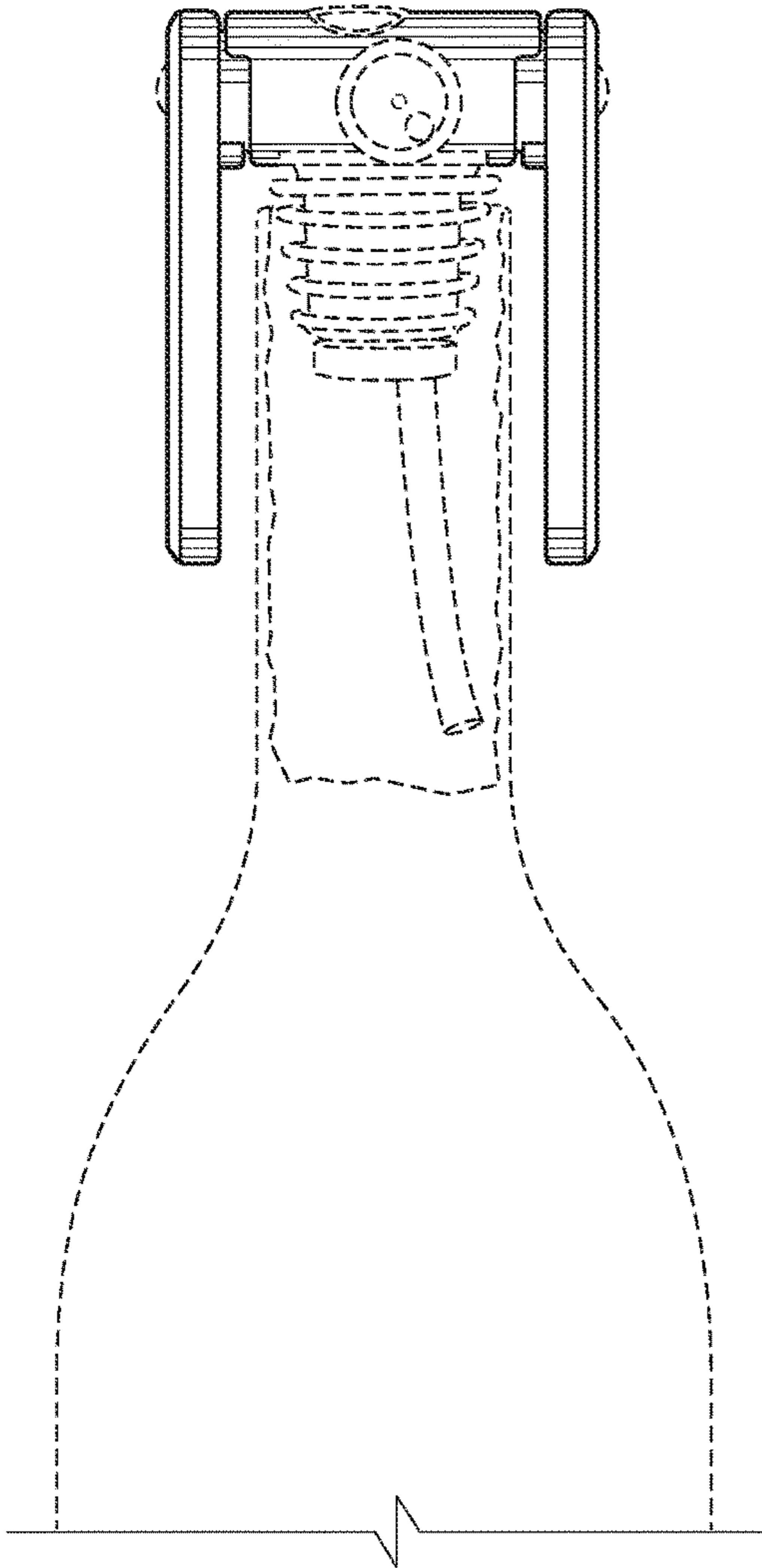


FIG. 2

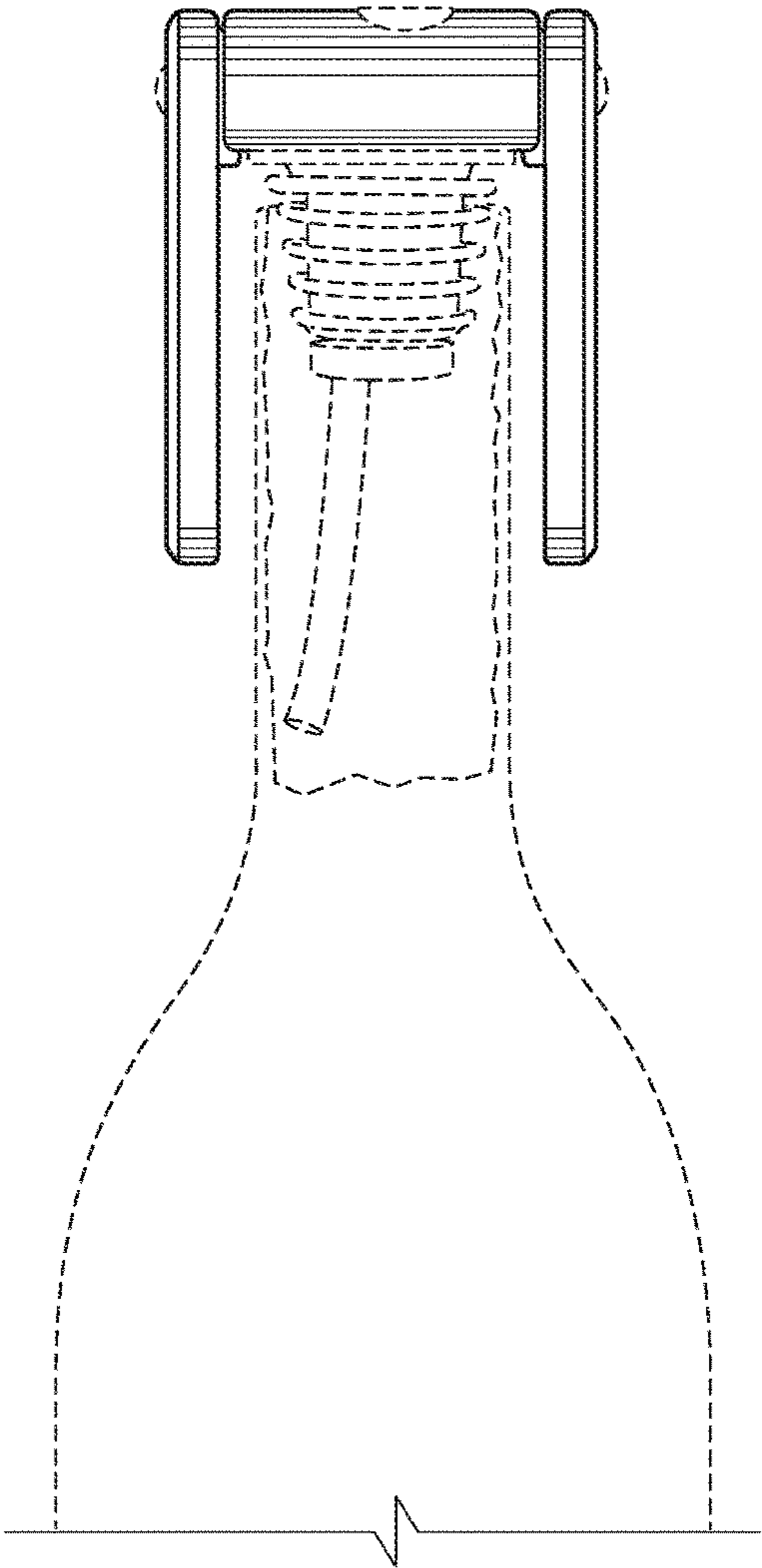


FIG. 3

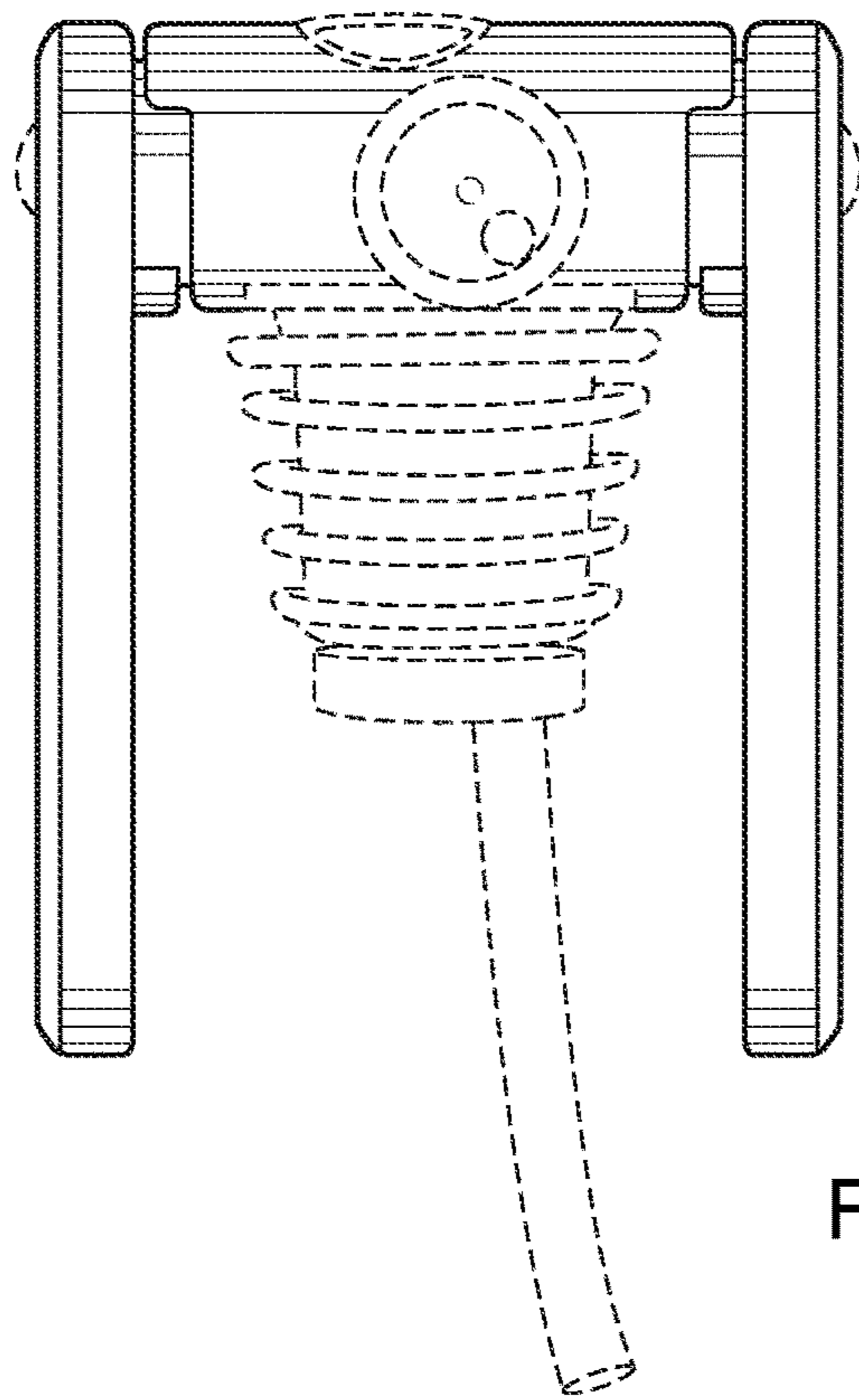


FIG. 4

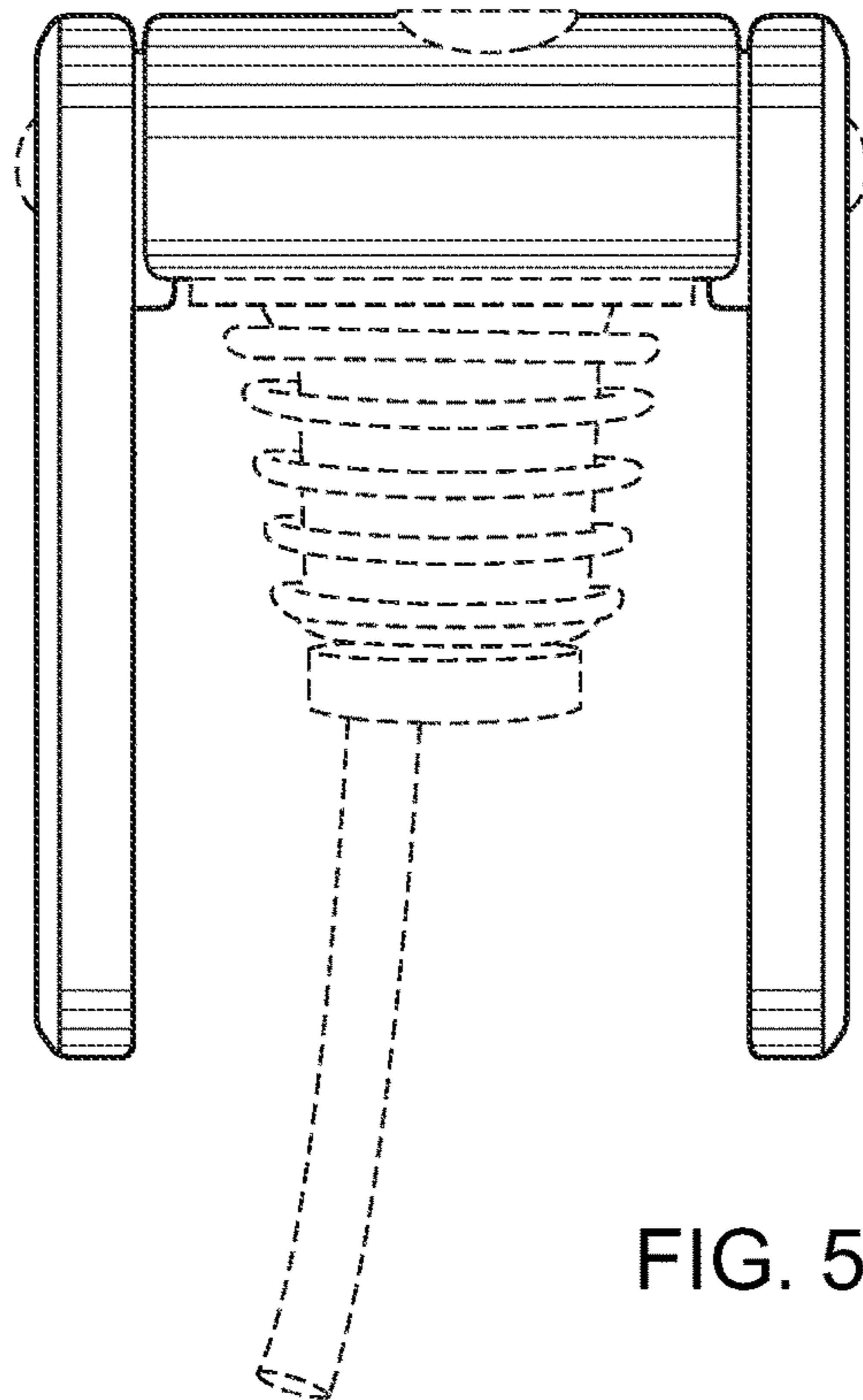


FIG. 5



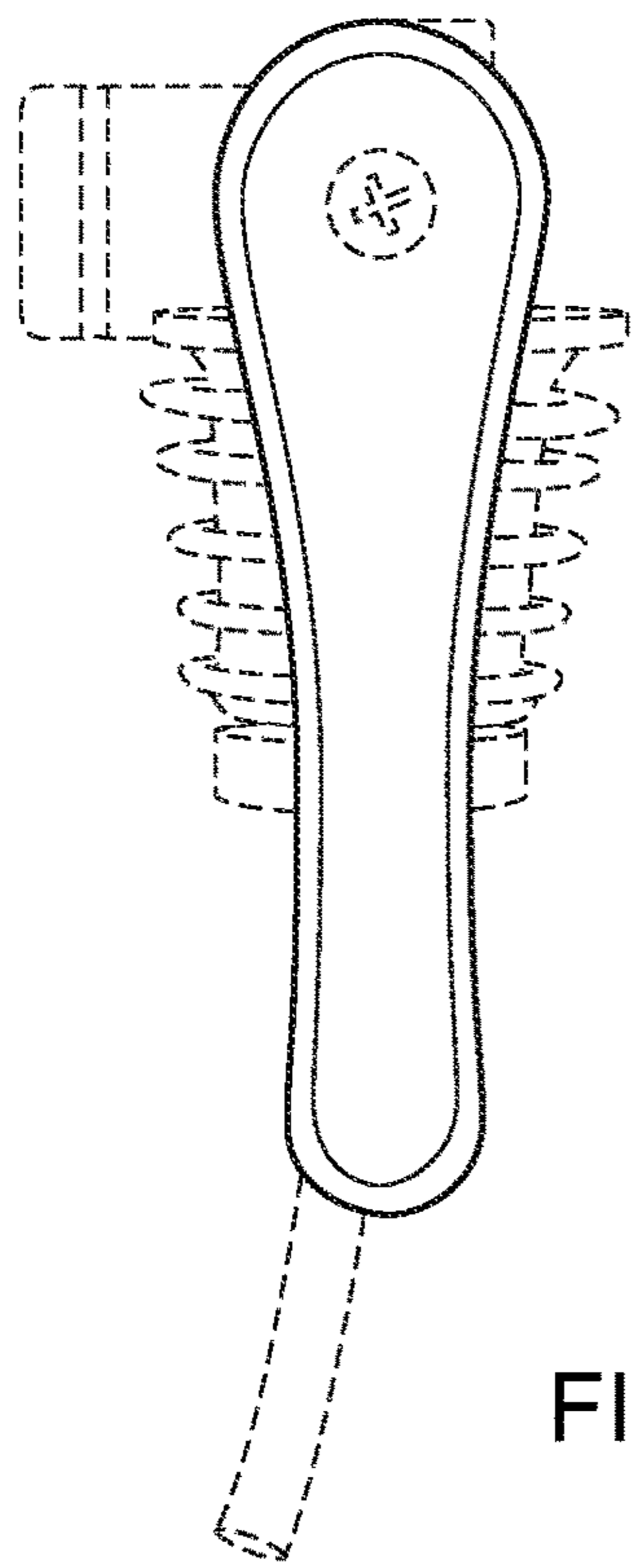


FIG. 6

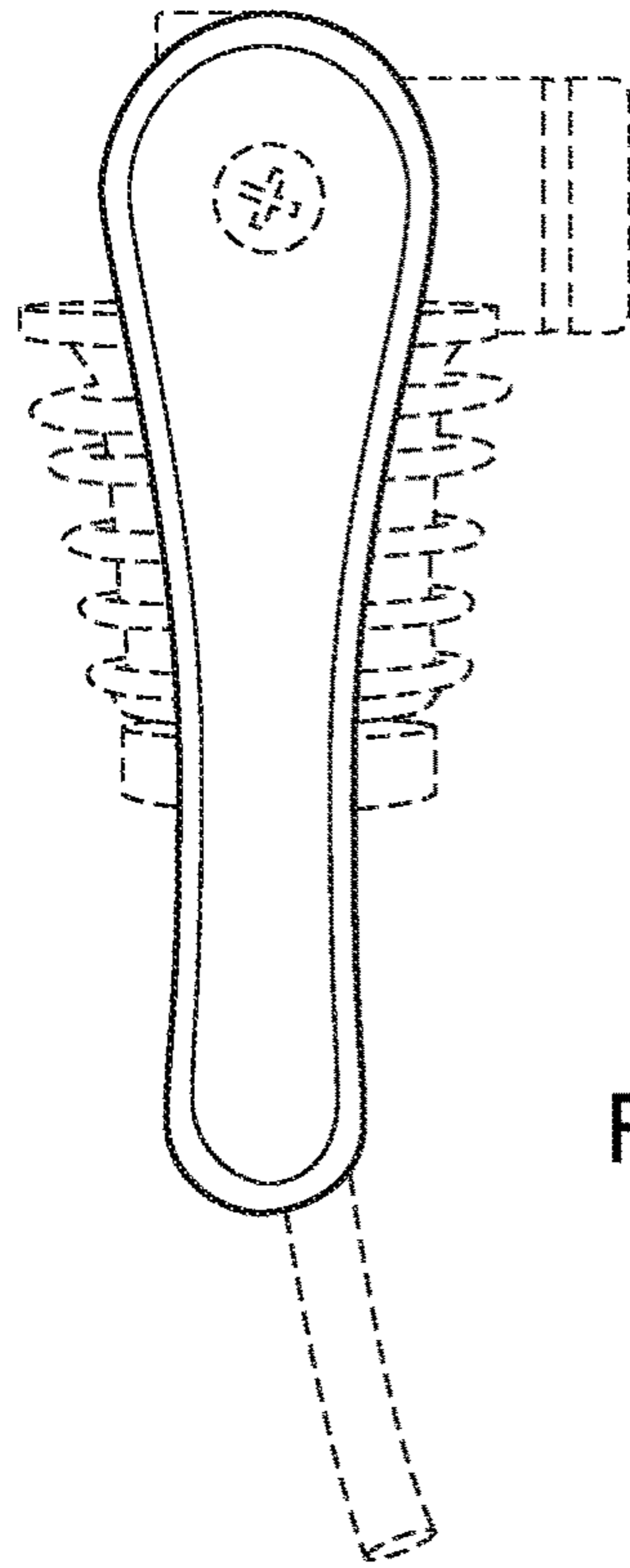


FIG. 7



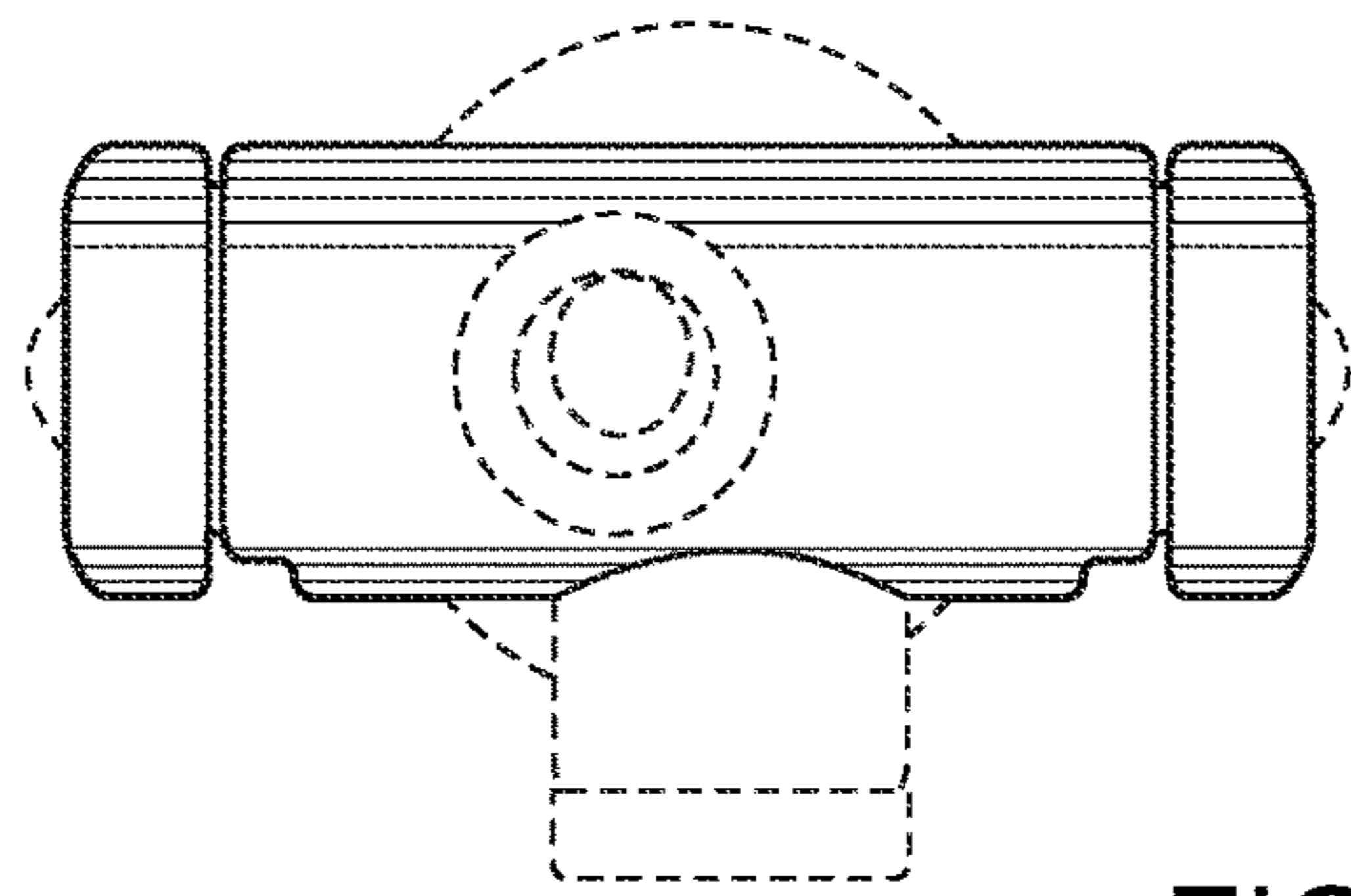


FIG. 8

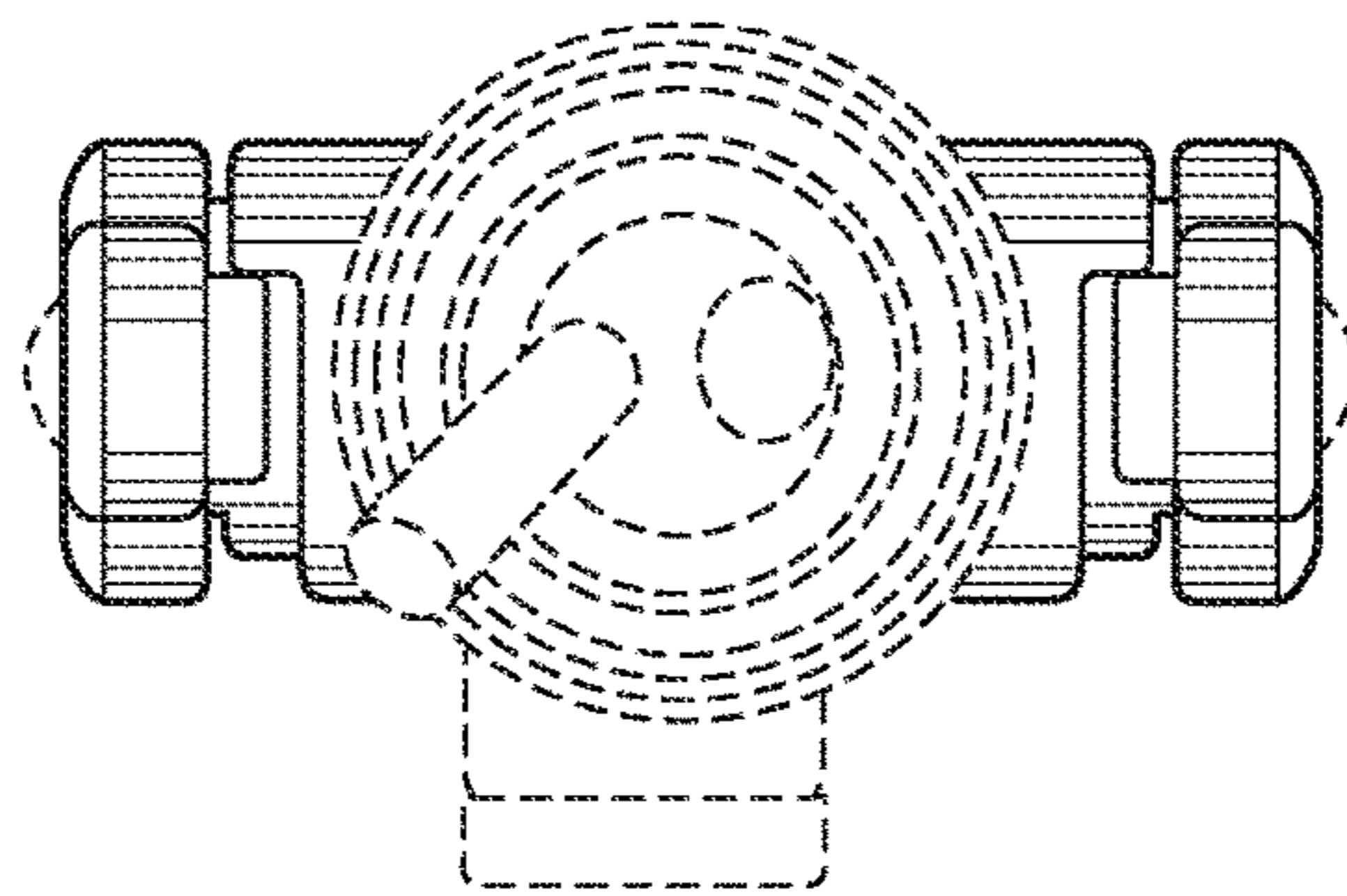


FIG. 9