



US00D781141S

(12) **United States Design Patent**  
**Phillips**

(10) **Patent No.:** **US D781,141 S**

(45) **Date of Patent:** **\*\* Mar. 14, 2017**

(54) **PACKAGING FOR A BOTTLE AND BLANK FORMING THEREOF**

(71) Applicant: **Visy R & D Pty Ltd.**, Victoria (AU)

(72) Inventor: **Andrew James Phillips**, Albury (AU)

(73) Assignee: **Visy R & D Pty Ltd** (AU)

(\*\*) Term: **14 Years**

(21) Appl. No.: **29/504,447**

(22) Filed: **Oct. 6, 2014**

(30) **Foreign Application Priority Data**

Apr. 4, 2014 (AU) ..... 11679/2014

(51) **LOC (10) Cl.** ..... **09-03**

(52) **U.S. Cl.**  
USPC ..... **D9/432; D9/433**

(58) **Field of Classification Search**  
USPC ..... D9/430-434, 414-415, 417, 418,  
D9/420-427, 634, 732; D3/272, 273,  
D3/302, 304-309, 315; D7/601, 602,  
D7/609, 619.1, 630

CPC ..... B65D 5/00; B65D 5/0209; B65D 5/029;  
B65D 5/40; B65D 5/72; B65D 5/727

See application file for complete search history.

(56) **References Cited**

**U.S. PATENT DOCUMENTS**

2,334,997 A \* 11/1943 Doll ..... B65D 83/0847  
225/49

3,193,427 A \* 7/1965 Rogers ..... B65D 83/0882  
156/227

3,547,328 A \* 12/1970 Bjoerklund ..... B65D 83/0882  
225/49

3,738,564 A \* 6/1973 Persson ..... B65D 5/16  
229/110

4,346,830 A \* 8/1982 Hauser ..... B65D 83/0882  
225/49

4,399,935 A \* 8/1983 Nelder ..... B31B 1/74  
225/49

D411,079 S \* 6/1999 Graham ..... D7/624.2

\* cited by examiner

*Primary Examiner* — Vy Koenig

(74) *Attorney, Agent, or Firm* — **McCarter & English, LLP**

(57) **CLAIM**

The ornamental design for a packaging for a bottle and blank forming thereof, as shown and described.

**DESCRIPTION**

FIG. 1 is a top view of a packaging for a bottle and blank forming thereof showing my new design shown in an unfolded configuration, the bottom view being a mirror image thereof;

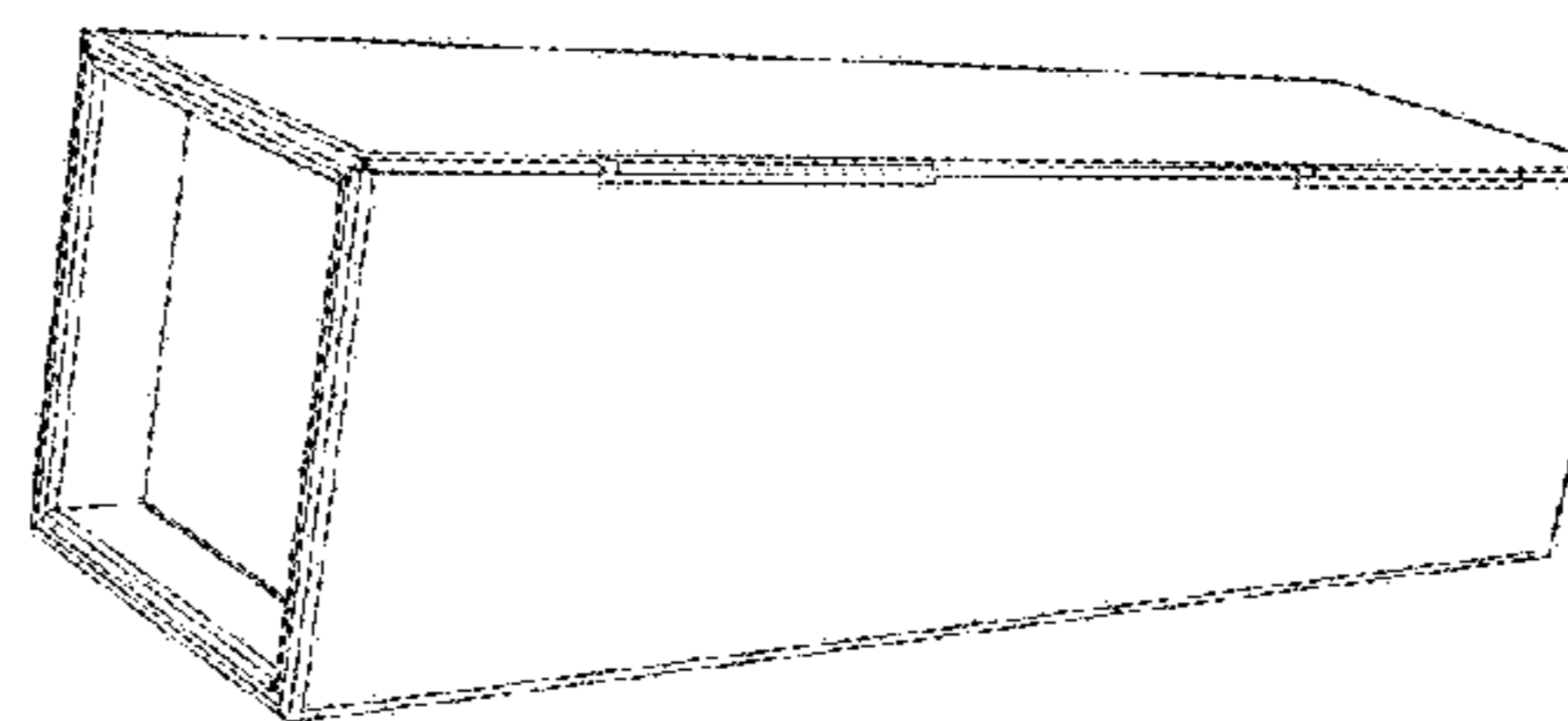
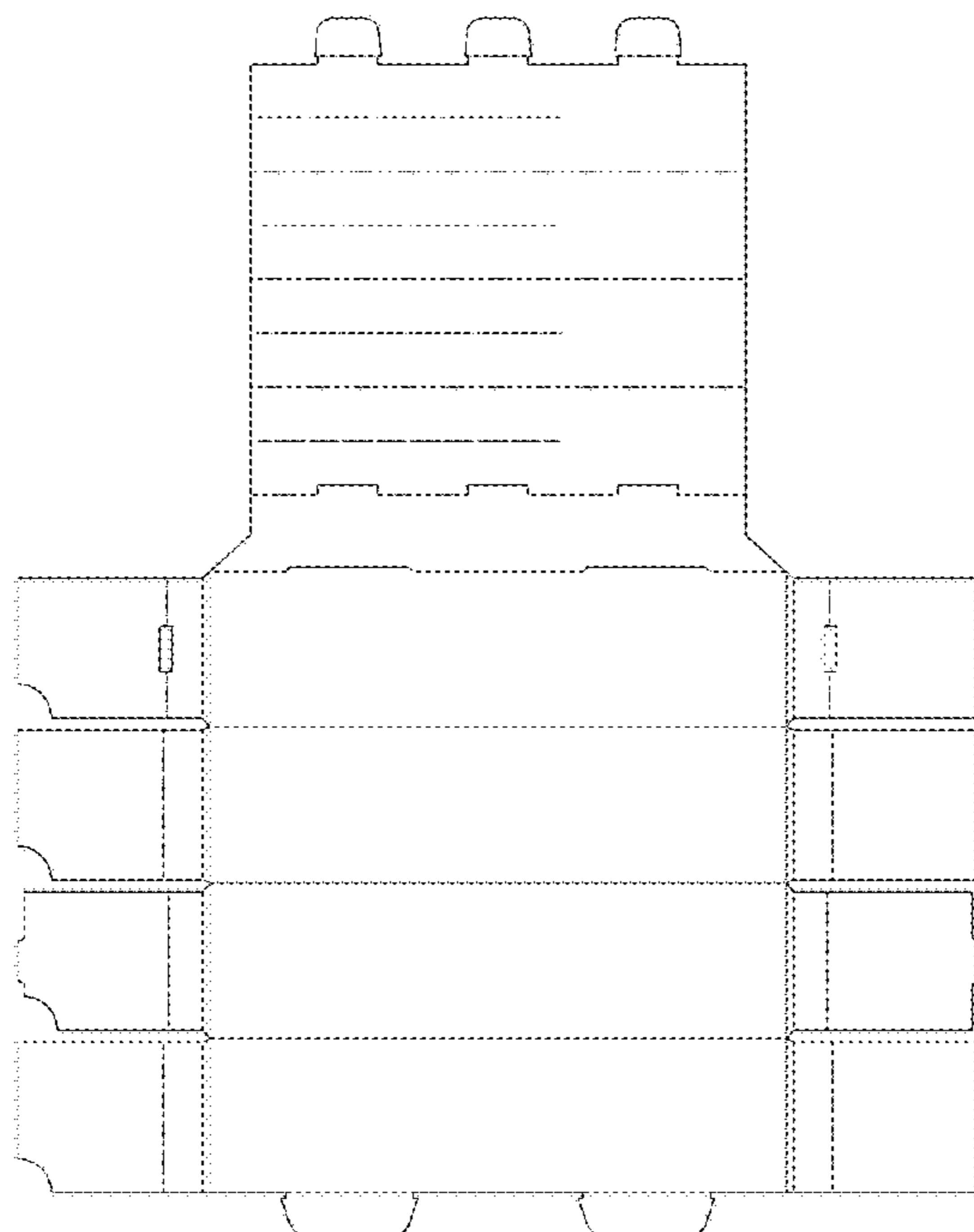
FIG. 2 is a perspective view of the packaging for a bottle and blank forming thereof of FIG. 1 shown in the unfolded configuration;

FIG. 3 is a perspective view of the packaging for a bottle and blank forming thereof of FIG. 1 shown in a folded configuration;

FIG. 4 is a perspective view of the packaging for a bottle and blank forming thereof of FIG. 1 shown in a partially folded configuration; and,

FIG. 5 is a perspective view of the packaging for a bottle and blank forming thereof of FIG. 1 shown in another partially folded configuration.

**1 Claim, 4 Drawing Sheets**



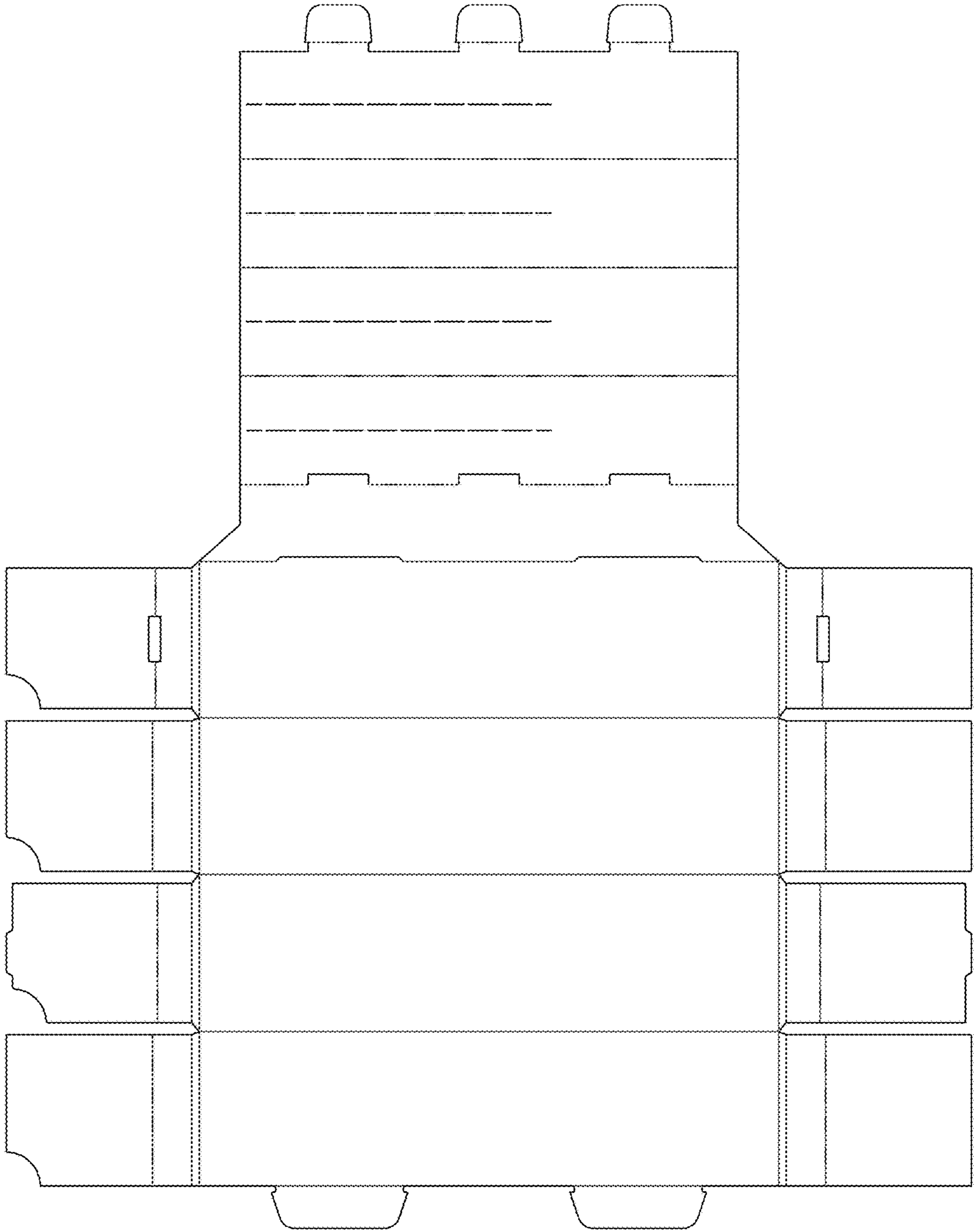


FIGURE 1

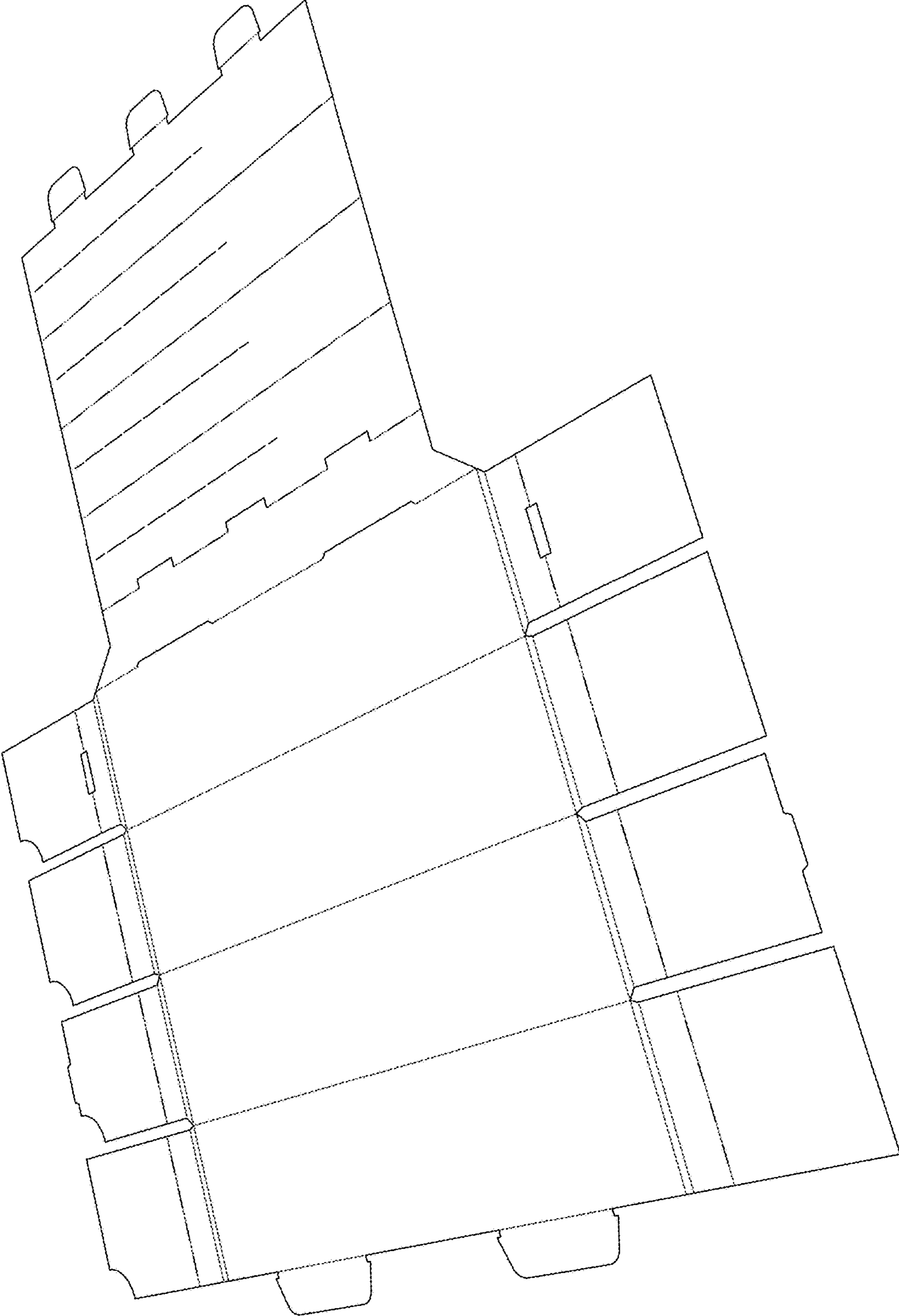


FIGURE 2

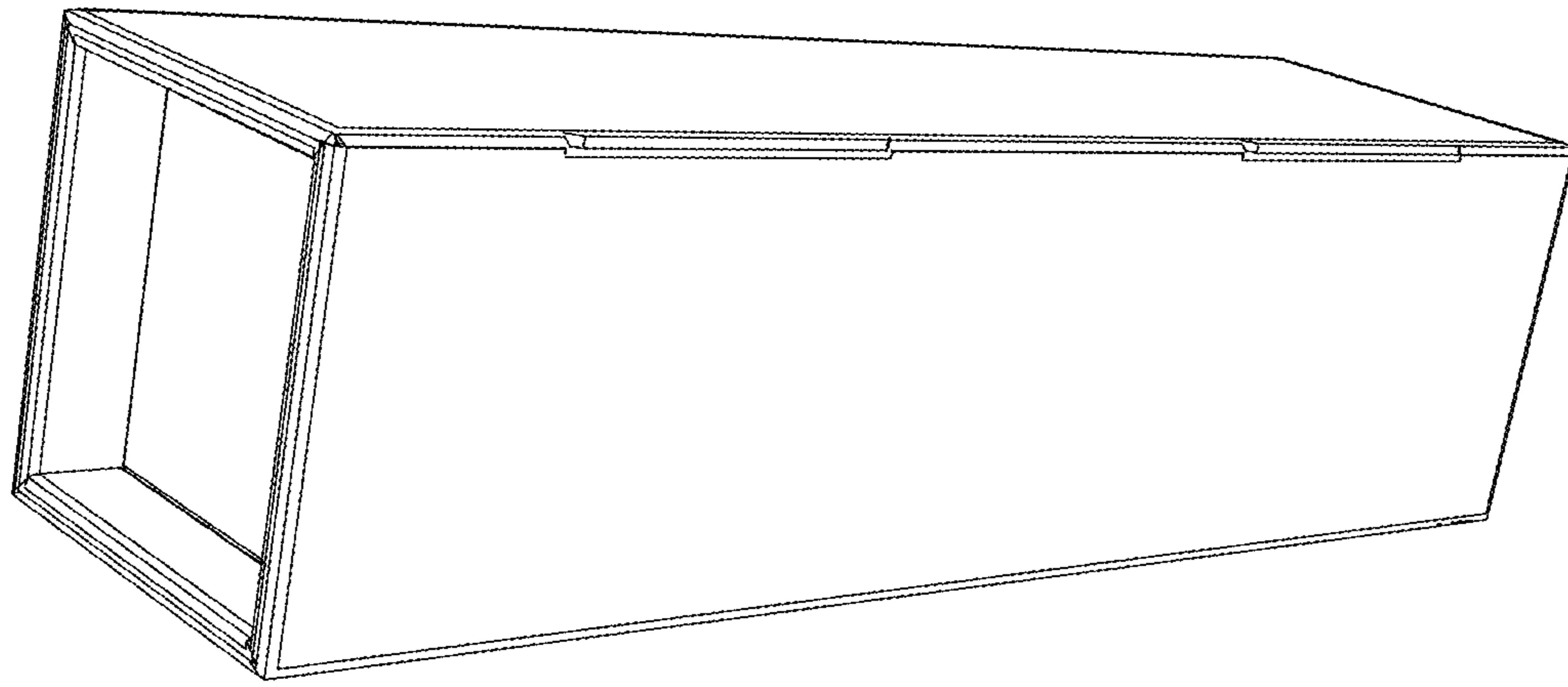


FIGURE 3

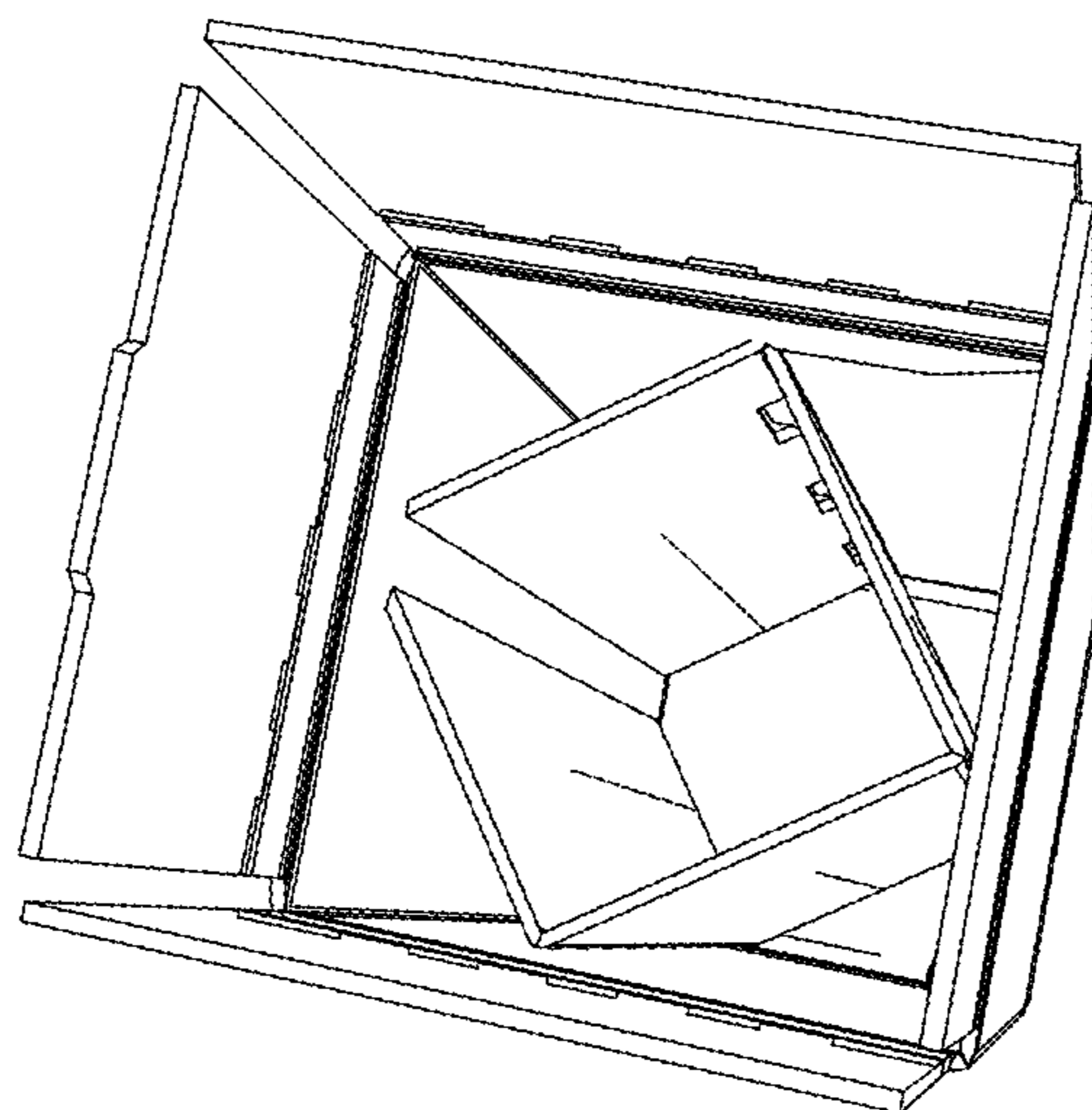


FIGURE 4

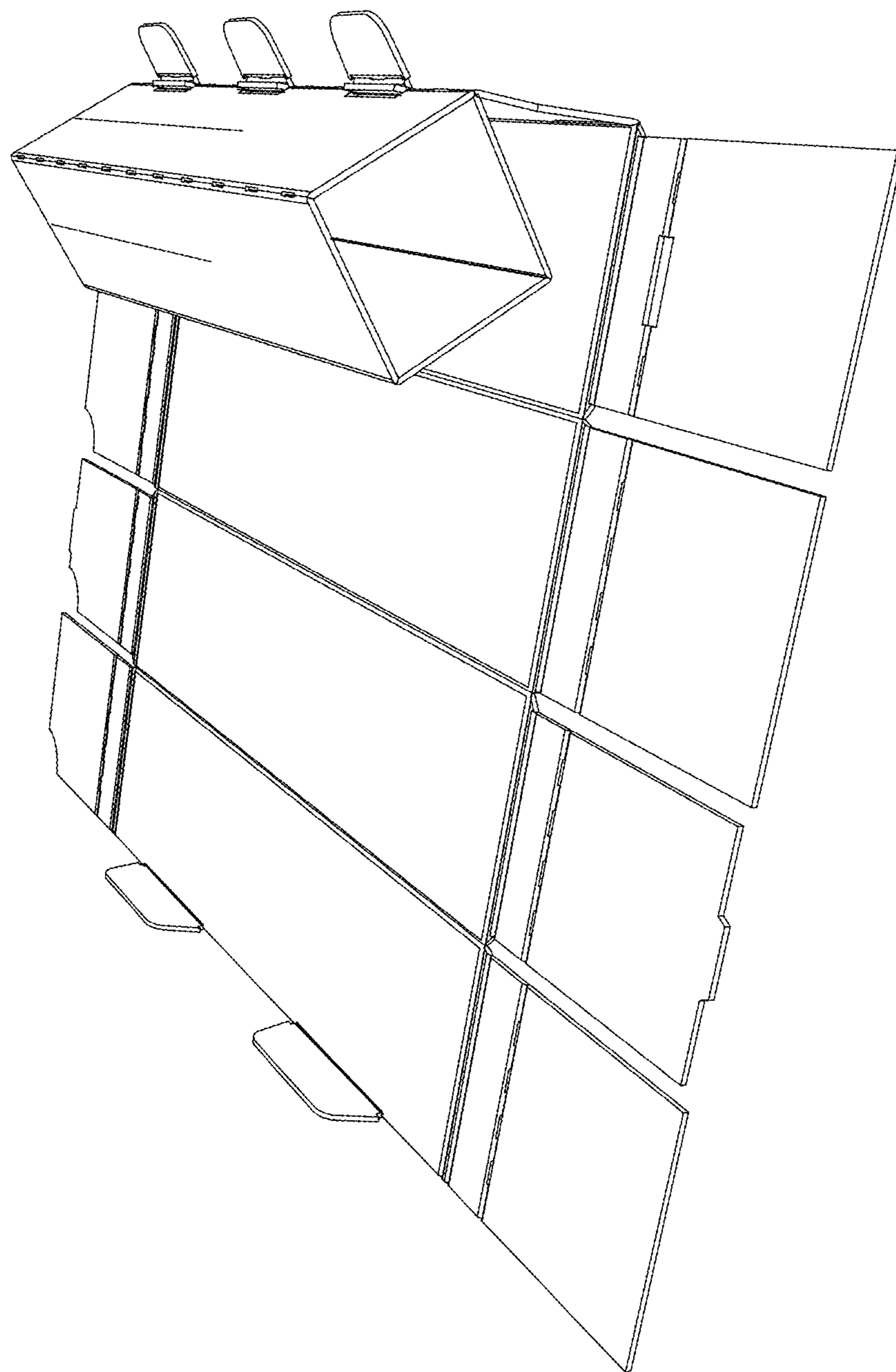


FIGURE 5