



US00D781140S

(12) **United States Design Patent**
Hübner et al.

(10) **Patent No.:** **US D781,140 S**
(45) **Date of Patent:** **** Mar. 14, 2017**

(54) **BLISTER PACKAGE**
(71) Applicant: **The Gillette Company**, Boston, MA (US)
(72) Inventors: **Marlis Hübner**, Bad Soden (DE); **Christian Peter Mandl**, Bad Soden (DE); **Erwin Mark**, Eschborn (DE); **Martin Marotti**, Carmel, IN (US); **Christian Stief**, Frankfurt (DE)

D634,626 S * 3/2011 Gustafson D9/415
D679,989 S * 4/2013 Stief D9/415
D698,236 S * 1/2014 Geiberger D9/415
D735,570 S * 8/2015 Moskovich D9/415
D736,077 S * 8/2015 Moskovich D9/415
D737,675 S * 9/2015 Moskovich D9/415
D751,892 S * 3/2016 Moskovich D9/415
D752,426 S * 3/2016 Moskovich D9/415
D752,427 S * 3/2016 Moskovich D9/415

(73) Assignee: **THE GILLETTE COMPANY LLC**, Boston, MA (US)

(**) Term: **15 Years**

(21) Appl. No.: **29/559,564**

(22) Filed: **Mar. 29, 2016**

(51) **LOC (10) Cl.** **09-03**

(52) **U.S. Cl.**
USPC **D9/415**

(58) **Field of Classification Search**
USPC D9/415, 418, 424, 696; 206/362.3, 769, 206/361, 362.1; 200/332
CPC B65D 75/366; B65D 75/322; B65D 75/32; B65D 75/367; A61C 17/221
See application file for complete search history.

(56) **References Cited**

U.S. PATENT DOCUMENTS

D400,097 S * 10/1998 Von Stein D9/415
6,726,011 B2 * 4/2004 Sarkar B65D 75/367
206/362.1

OTHER PUBLICATIONS

“Nano Toothbrush” reference dated Oct. 17, 2017 found on the internet at: <http://www.iteethbrush.com/adult-toothbrush/normal-toothbrush/nano-toothbrush>.*

* cited by examiner

Primary Examiner — Rhea Shields

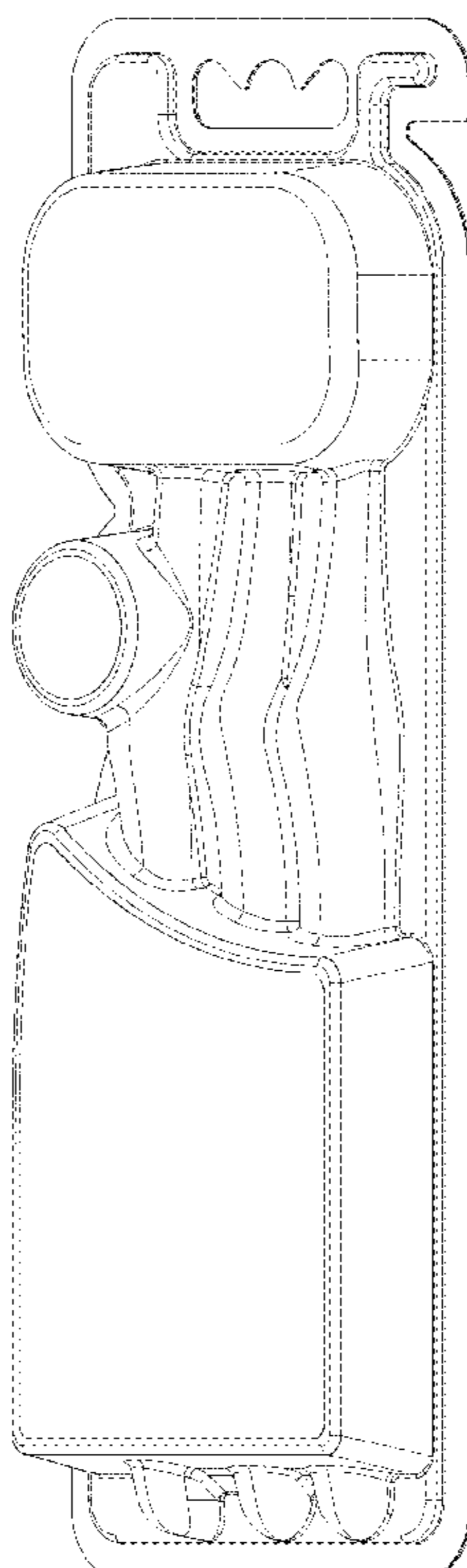
(57) **CLAIM**

The ornamental design for a blister package, as shown and described.

DESCRIPTION

FIG. 1 is a perspective view of a blister package;
FIG. 2 is a front view thereof;
FIG. 3 is a right side view thereof;
FIG. 4 is a left side view thereof;
FIG. 5 is a rear view thereof;
FIG. 6 is a top plan view thereof; and,
FIG. 7 is a bottom view thereof.

1 Claim, 3 Drawing Sheets



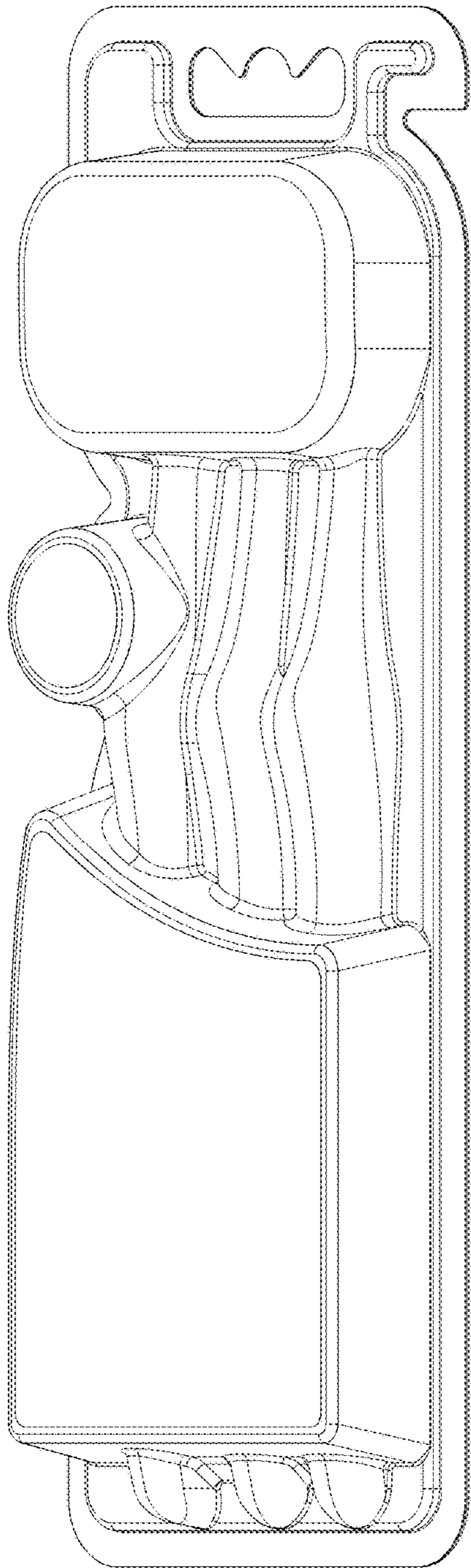


Fig. 1

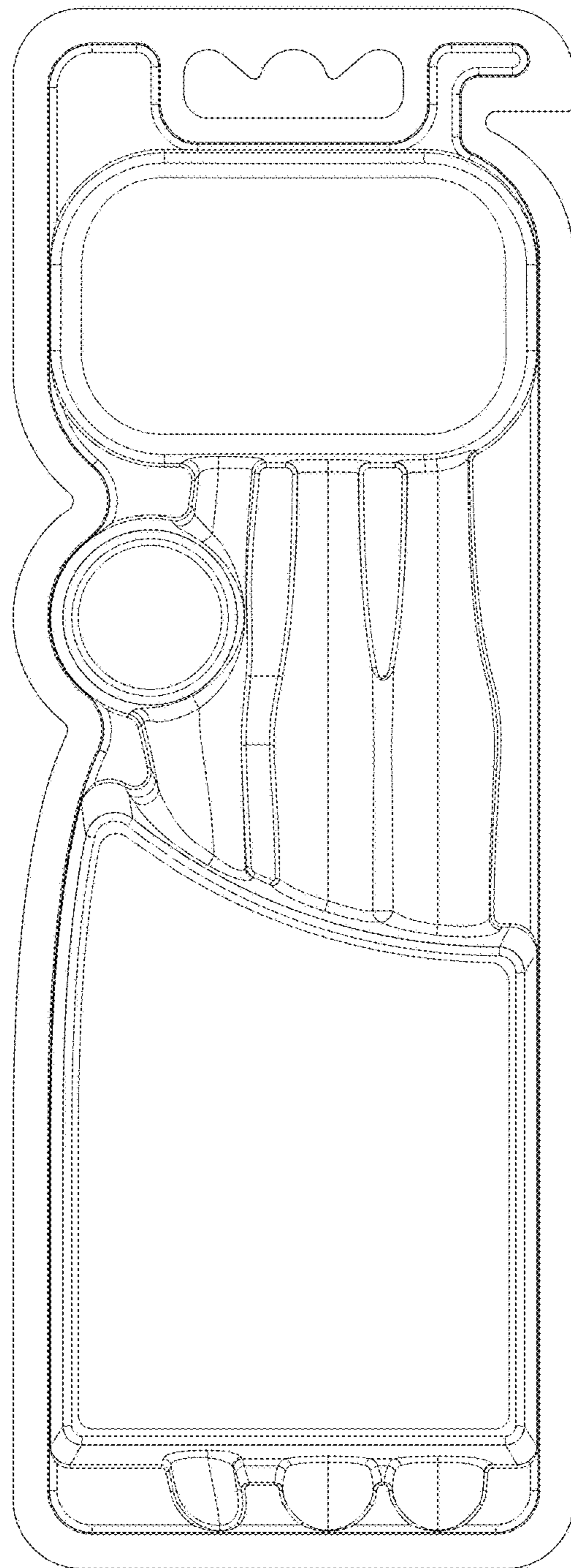


Fig. 2

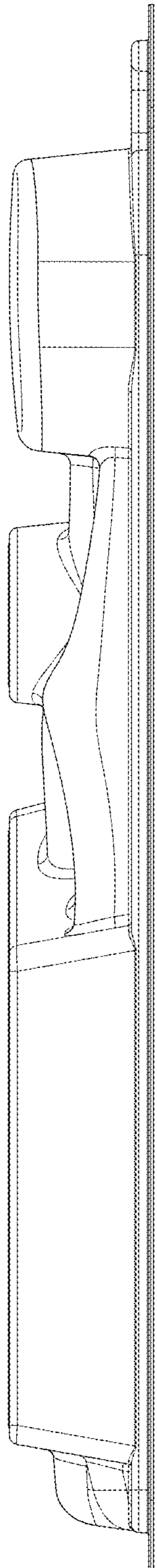


Fig. 3

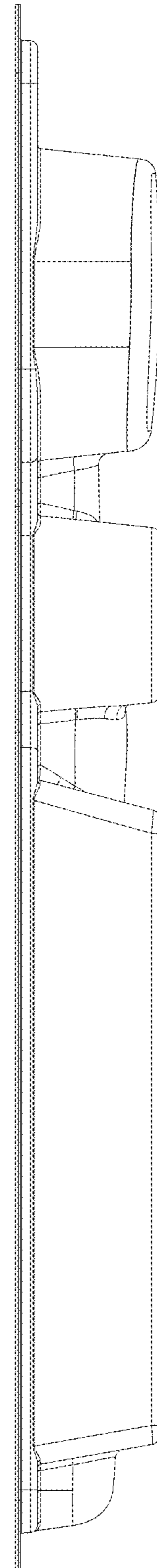


Fig. 4

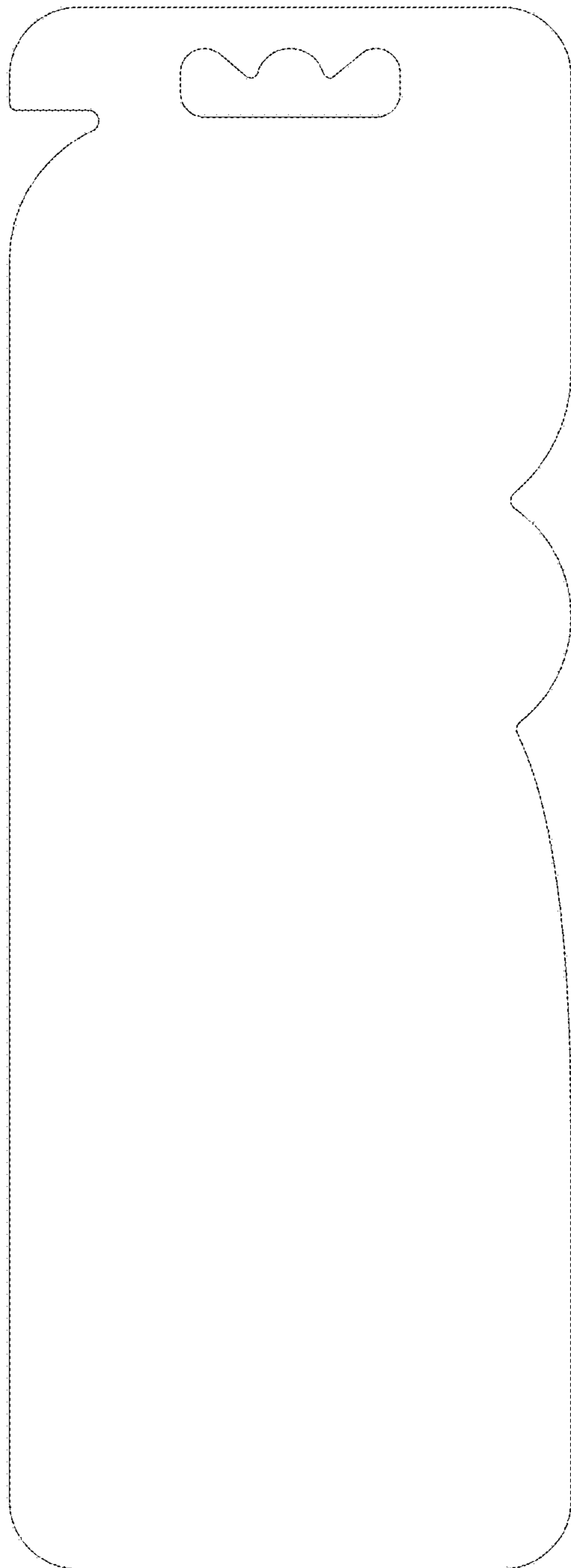


Fig. 5

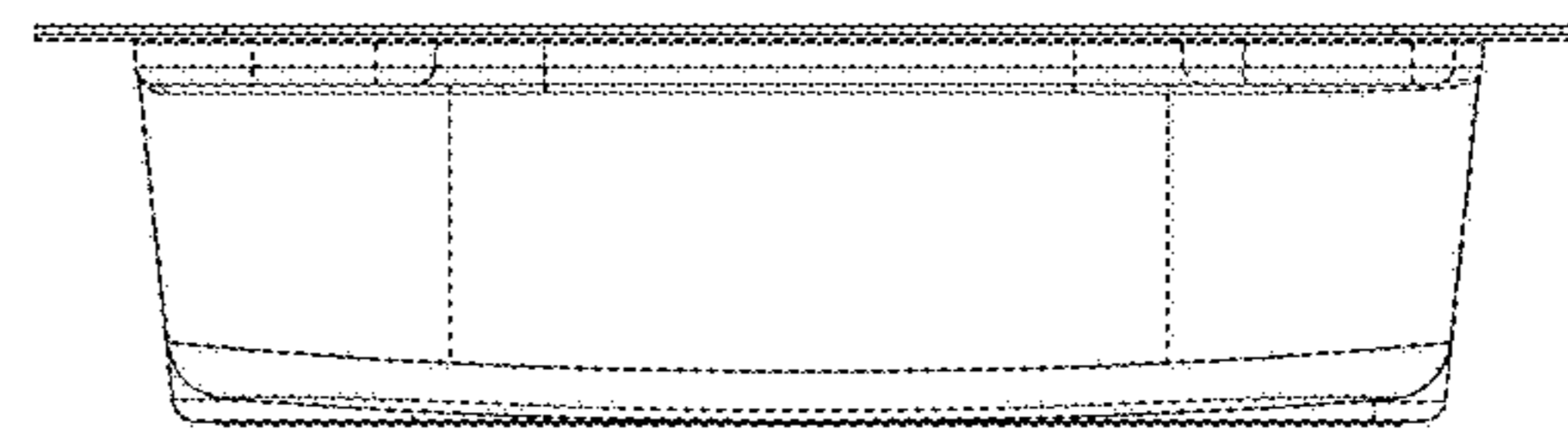


Fig. 6

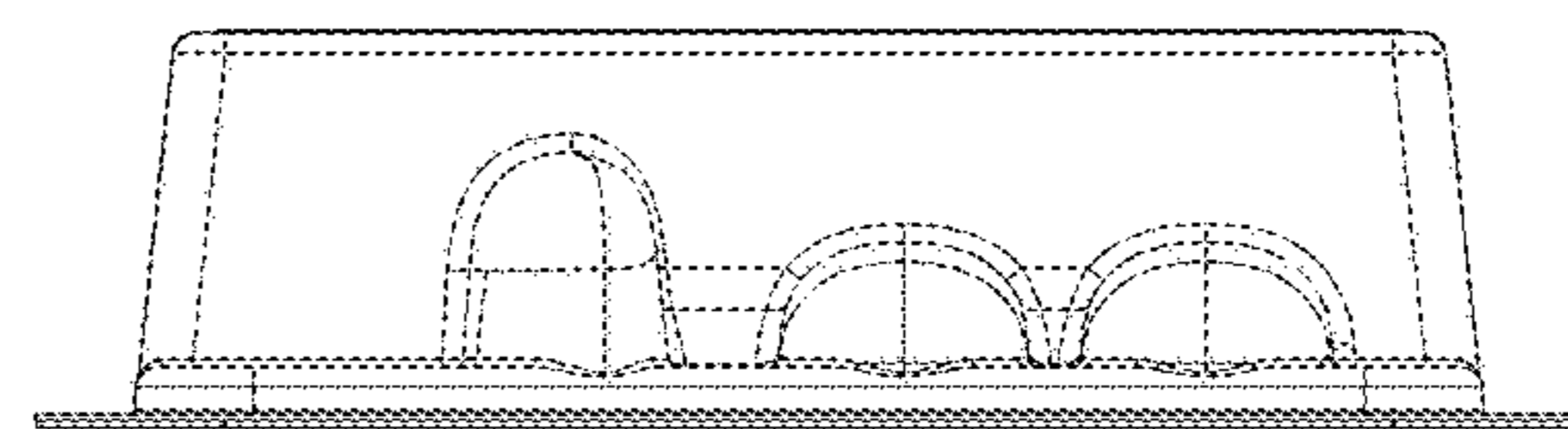


Fig. 7