



US00D781137S

(12) **United States Design Patent**  
**Ezra**

(10) **Patent No.:** **US D781,137 S**  
(45) **Date of Patent:** **\*\* Mar. 14, 2017**

(54) **DISPOSABLE RETAINER**

(71) Applicant: **Isaac Ben Ezra**, Southfield, MI (US)

(72) Inventor: **Isaac Ben Ezra**, Southfield, MI (US)

(\*\*) Term: **14 Years**

(21) Appl. No.: **29/474,685**

(22) Filed: **Dec. 29, 2014**

(51) **LOC (10) Cl.** ..... **08-09**

(52) **U.S. Cl.**  
USPC ..... **D8/400**

(58) **Field of Classification Search**

USPC ..... D6/553; D8/330, 331, 336, 338,  
D8/341-344, 349, 400, 402, 499; 16/82;  
49/375, 380, 381; 701/89, 137, 141, 192,  
701/260, 430; 248/200, 208, 213.1, 243,  
248/298.1; 292/10, 96, 101, 102, 137,  
292/196, 336.3, 340

CPC ..... E05F 5/06; E05Y 2201/224; Y10T 16/61  
See application file for complete search history.

(56) **References Cited**

U.S. PATENT DOCUMENTS

D116,438 S *	8/1939	Wright	.....	D25/55
D237,775 S *	11/1975	Hitomi	.....	D8/356
D310,016 S *	8/1990	Johansson	.....	248/640
D319,007 S *	8/1991	Rogers	.....	D8/400
D350,054 S *	8/1994	Richter	.....	D8/331

D367,421 S *	2/1996	Powers	.....	D8/402
D405,683 S *	2/1999	Opielski	.....	D8/400
D406,750 S *	3/1999	Opielski	.....	D8/400
D519,797 S *	5/2006	Bueno	.....	D8/14
D571,638 S *	6/2008	Zhu	.....	D8/343
D579,317 S *	10/2008	Sykes	.....	D8/338
D614,483 S *	4/2010	Leibe, III	.....	D8/400
D645,865 S *	9/2011	Diehl	.....	D14/299
D700,037 S *	2/2014	Lohmann	.....	D8/330
2009/0320237 A1 *	12/2009	Kersting	.....	E05F 5/06 16/82

\* cited by examiner

*Primary Examiner* — Susan Bennett Hattan  
*Assistant Examiner* — Leanne Was-Englehart  
(74) *Attorney, Agent, or Firm* — Alex Rhodes

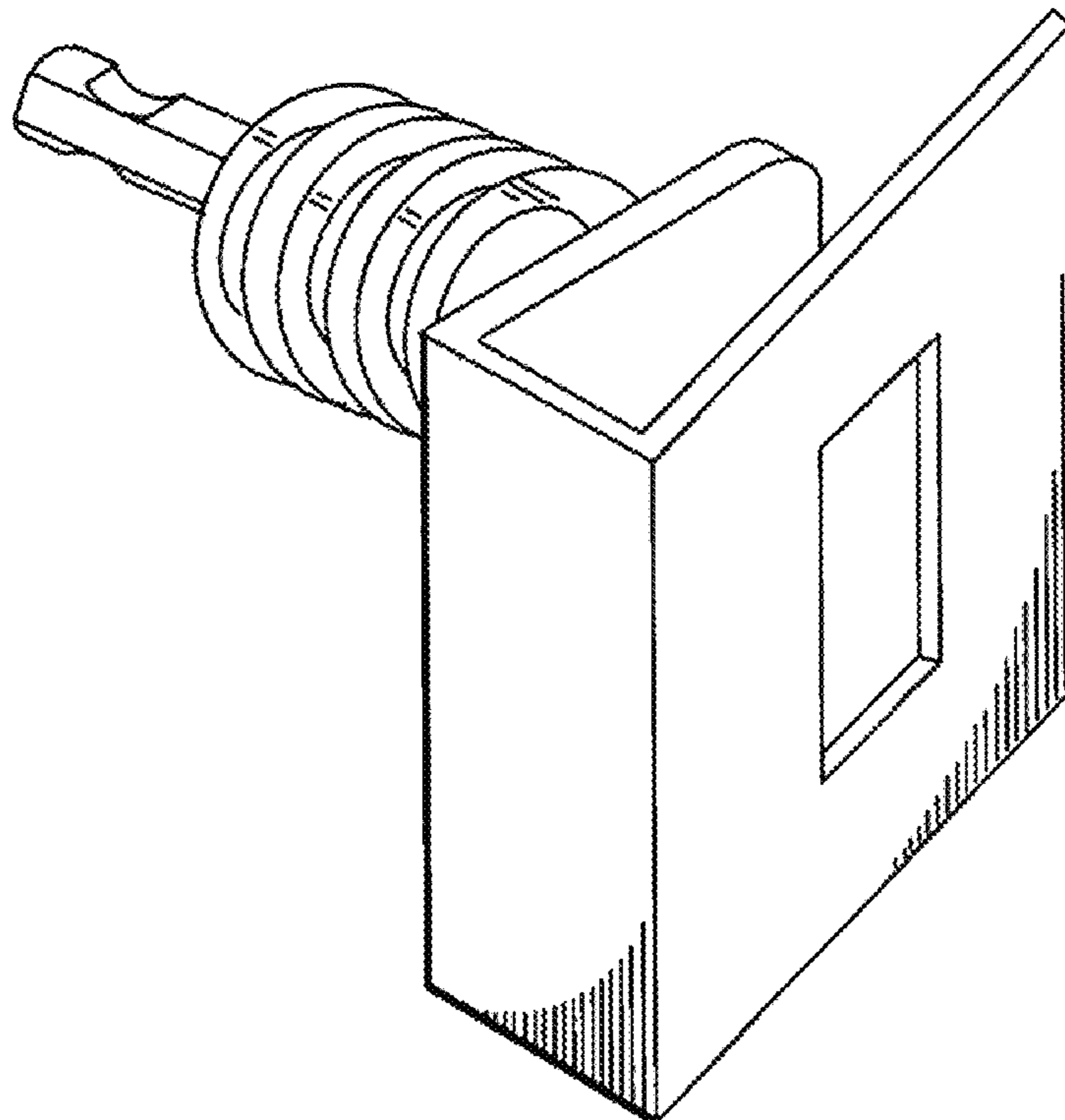
(57) **CLAIM**

The ornamental design for a disposable retainer, as shown and described.

**DESCRIPTION**

FIG. 1 is a perspective view of a disposable retainer showing the front and left sides of my new design;  
FIG. 2 is a plan view thereof;  
FIG. 3 is a front view thereof; and  
FIG. 4 a rear view thereof; and,  
FIG. 5 is left side elevational view.  
The broken line depict portions of the disposable retainer that form no part of the claimed design.

**1 Claim, 2 Drawing Sheets**



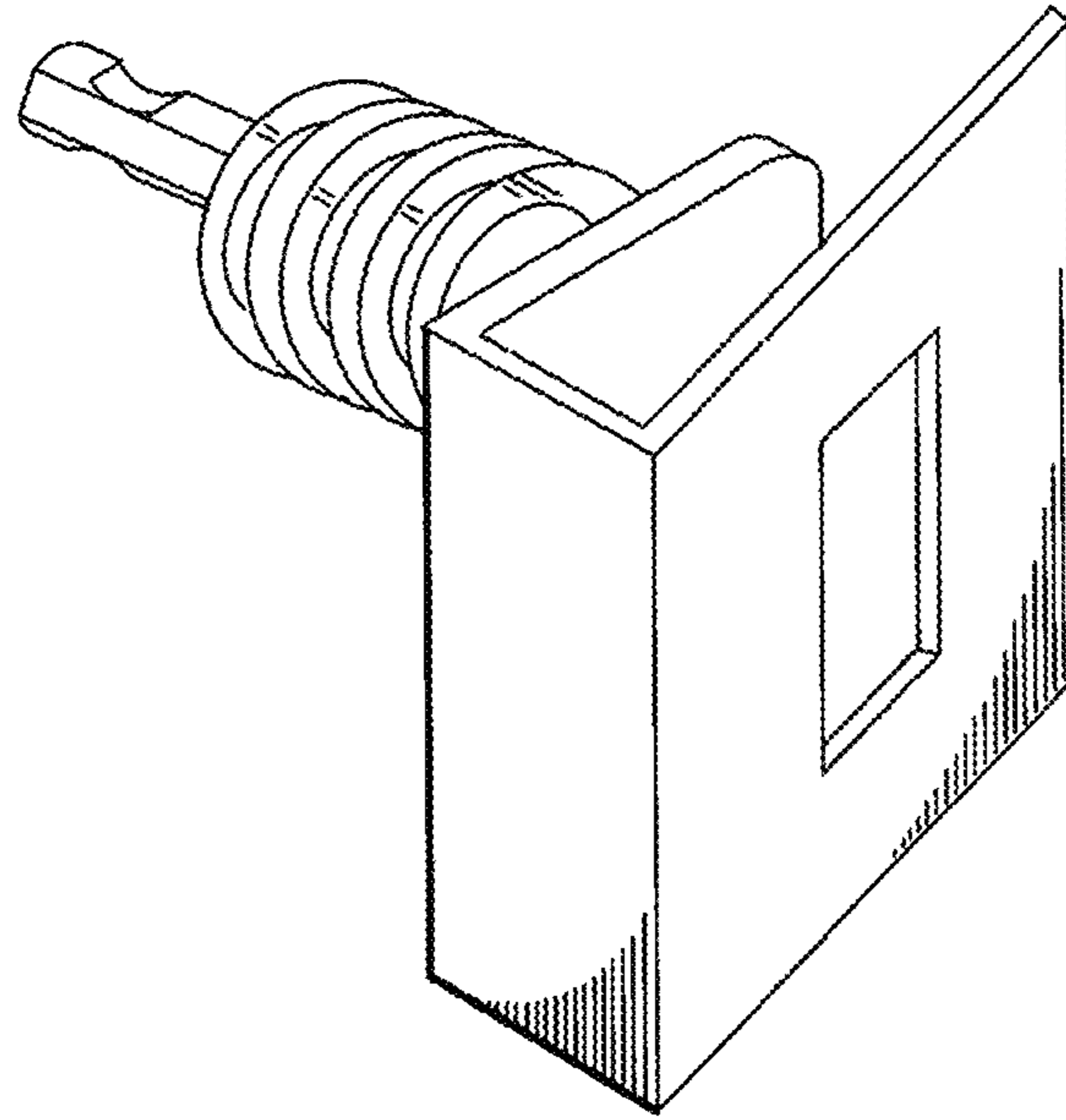


FIG. 1

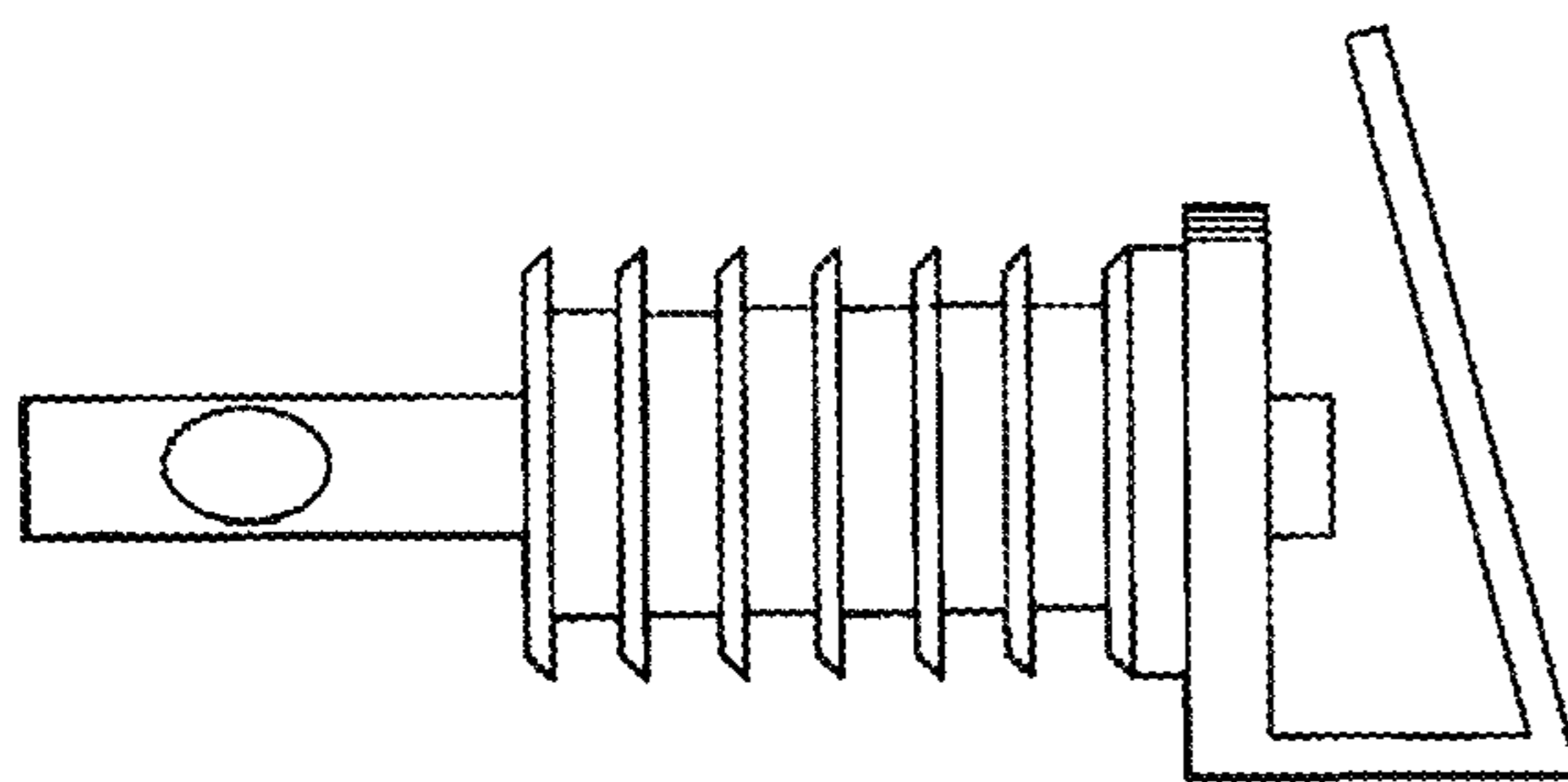


FIG. 2

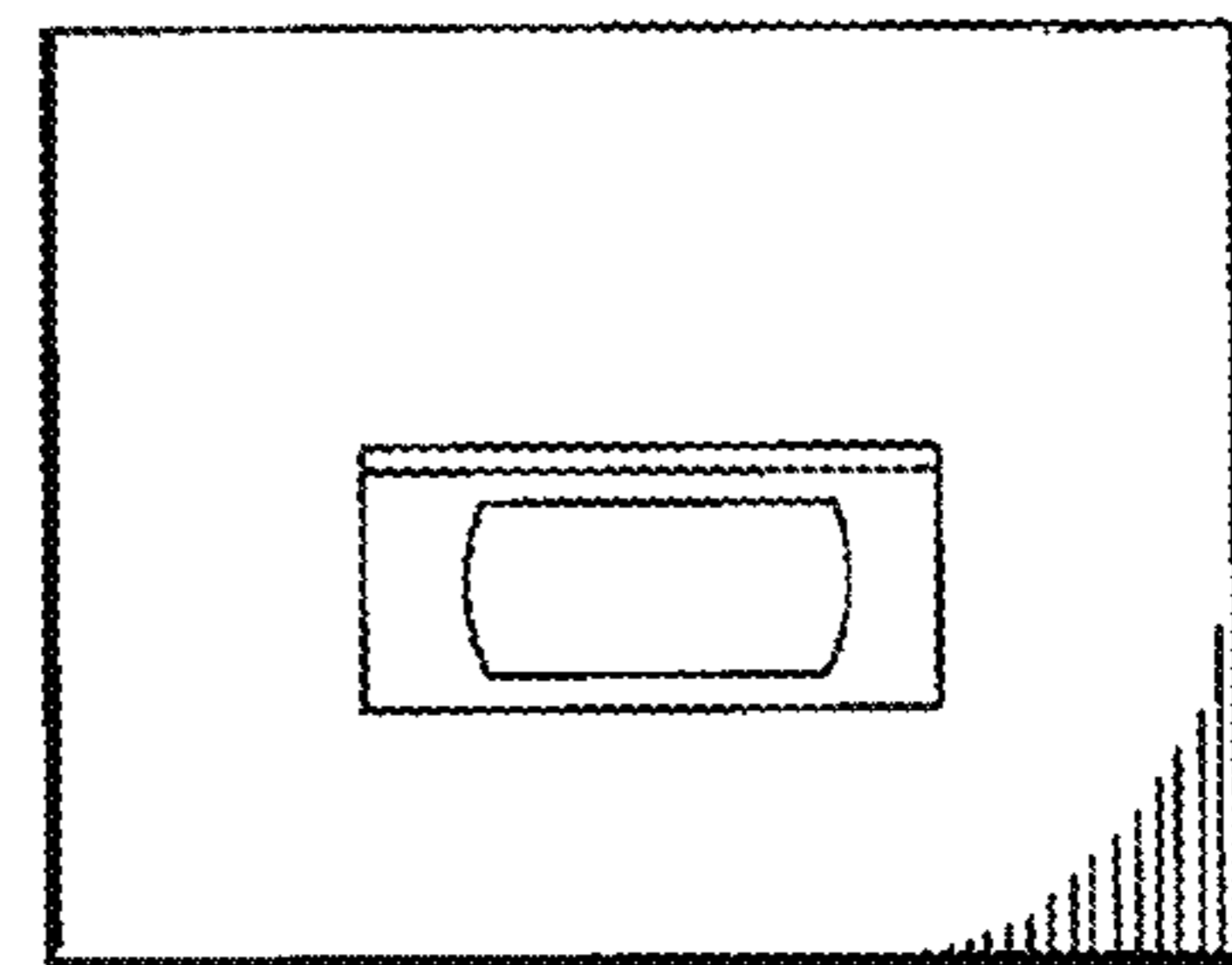
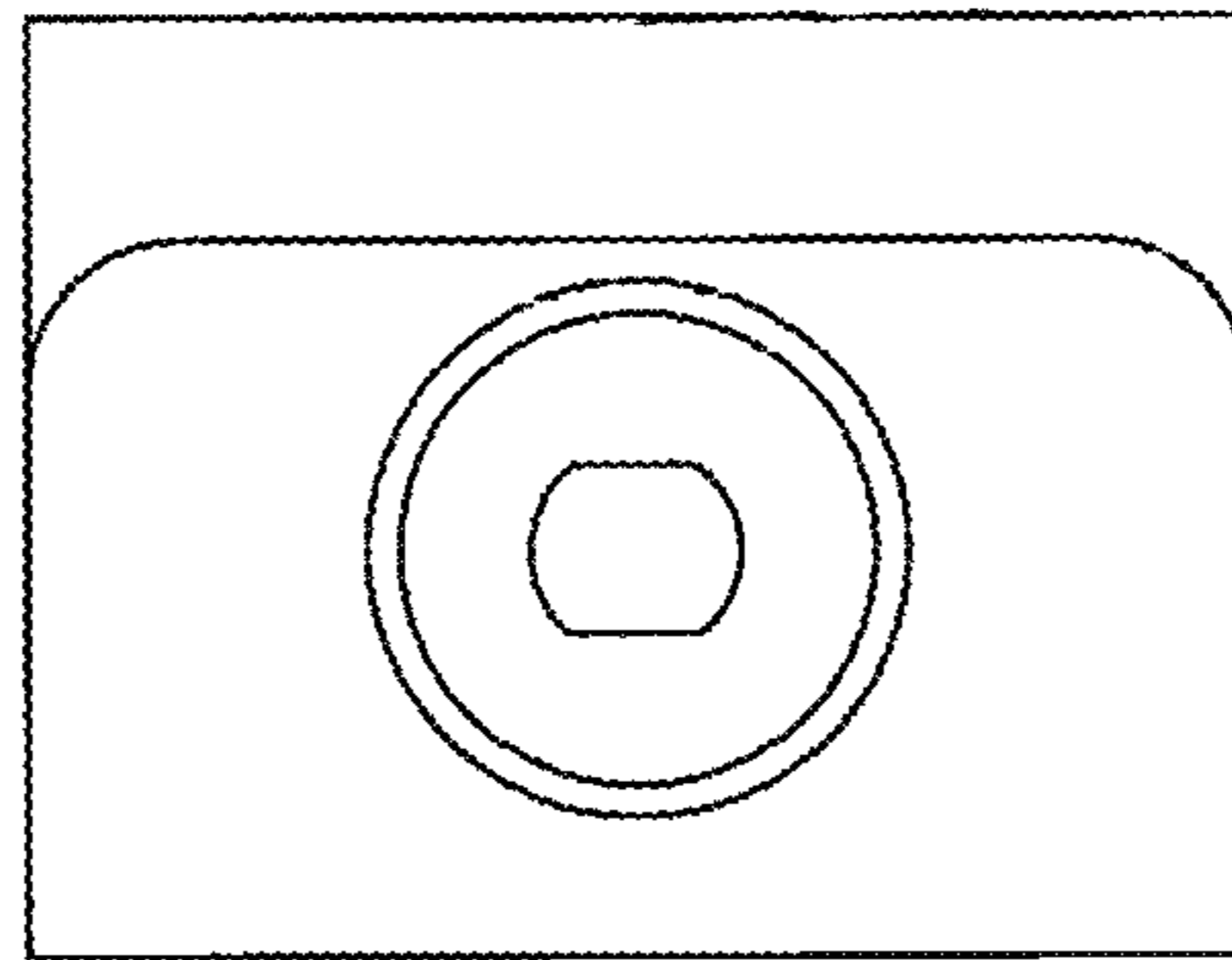
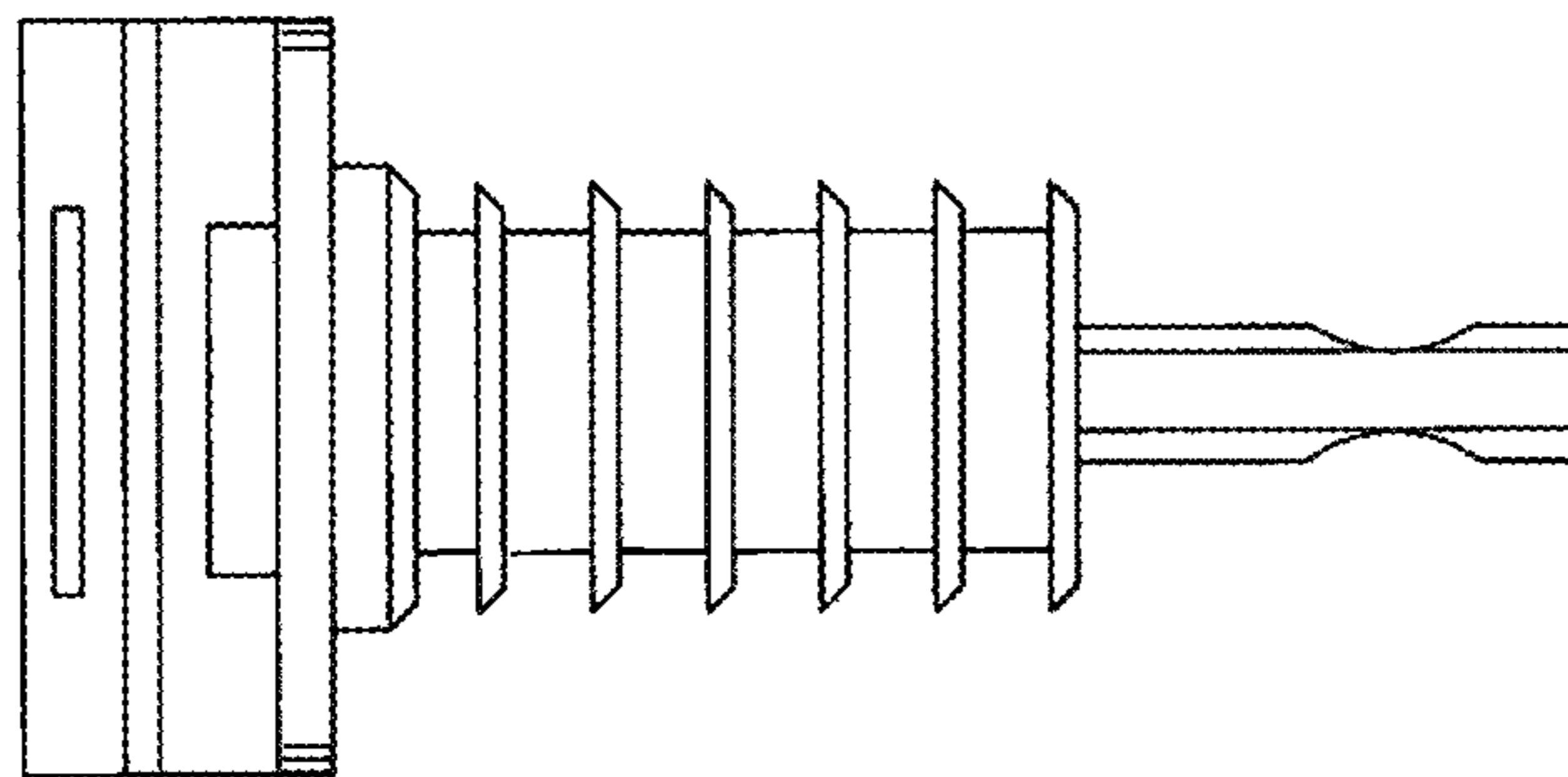


FIG. 3



**FIG. 4**



**FIG. 5**