



US00D781136S

(12) **United States Design Patent**  
**Nagayasu et al.**

(10) **Patent No.:** **US D781,136 S**  
(45) **Date of Patent:** **\*\* Mar. 14, 2017**

(54) **CABLE TIE**

(71) Applicant: **Sumitomo Wiring Systems, Ltd.**,  
Yokkaichi-shi (JP)

(72) Inventors: **Daiki Nagayasu**, Yokkaichi (JP);  
**Kazuki Nakagawa**, Yokkaichi (JP)

(73) Assignee: **Sumitomo Wiring Systems, Ltd.**,  
Yokkaichi-shi (JP)

(\*\*) Term: **15 Years**

(21) Appl. No.: **29/526,866**

(22) Filed: **May 13, 2015**

(30) **Foreign Application Priority Data**

Nov. 14, 2014 (JP) ..... 2014-025416

(51) **LOC (10) Cl.** ..... **08-08**

(52) **U.S. Cl.**  
USPC ..... **D8/383**

(58) **Field of Classification Search**  
USPC ..... D8/383, 356, 382, 394, 396, 499  
CPC B65D 63/00; B65D 63/1072; B65D 63/1063;  
B65D 63/1081; B65D 63/1045; B65D  
2563/103; F16B 2/26; F16L 3/2332;  
(Continued)

(56) **References Cited**

**U.S. PATENT DOCUMENTS**

3,965,538 A \* 6/1976 Caveney ..... B65D 63/1072  
24/16 PB  
4,138,770 A \* 2/1979 Barrette ..... B65D 63/1072  
24/16 PB

(Continued)

**OTHER PUBLICATIONS**

“U.S. Appl. No. 29/522,831, Non Final Office Action mailed Jun. 15, 2016”, 6 pgs.

(Continued)

*Primary Examiner* — Sandra Snapp

*Assistant Examiner* — Ieisha Price

(74) *Attorney, Agent, or Firm* — Schwegman Lundberg & Woessner, P.A.

(57) **CLAIM**

The ornamental design for a cable tie, as shown and described.

**DESCRIPTION**

FIG. 1 is a front perspective view of a cable tie showing our new design;

FIG. 2 is a rear perspective view thereof;

FIG. 3 is a front view thereof;

FIG. 4 is a rear view thereof;

FIG. 5 is a top plan view thereof, a bottom plan view being a mirror image of FIG. 5;

FIG. 6 is a right side view thereof;

FIG. 7 is a left side view thereof;

FIG. 8 is an enlarged view of the portion indicated by line 8-8 in FIG. 1 thereof;

FIG. 9 is an enlarged view of the portion indicated by line 9-9 in FIG. 2 thereof;

FIG. 10 is an enlarged view of the portion indicated by line 10-10 in FIG. 3 thereof;

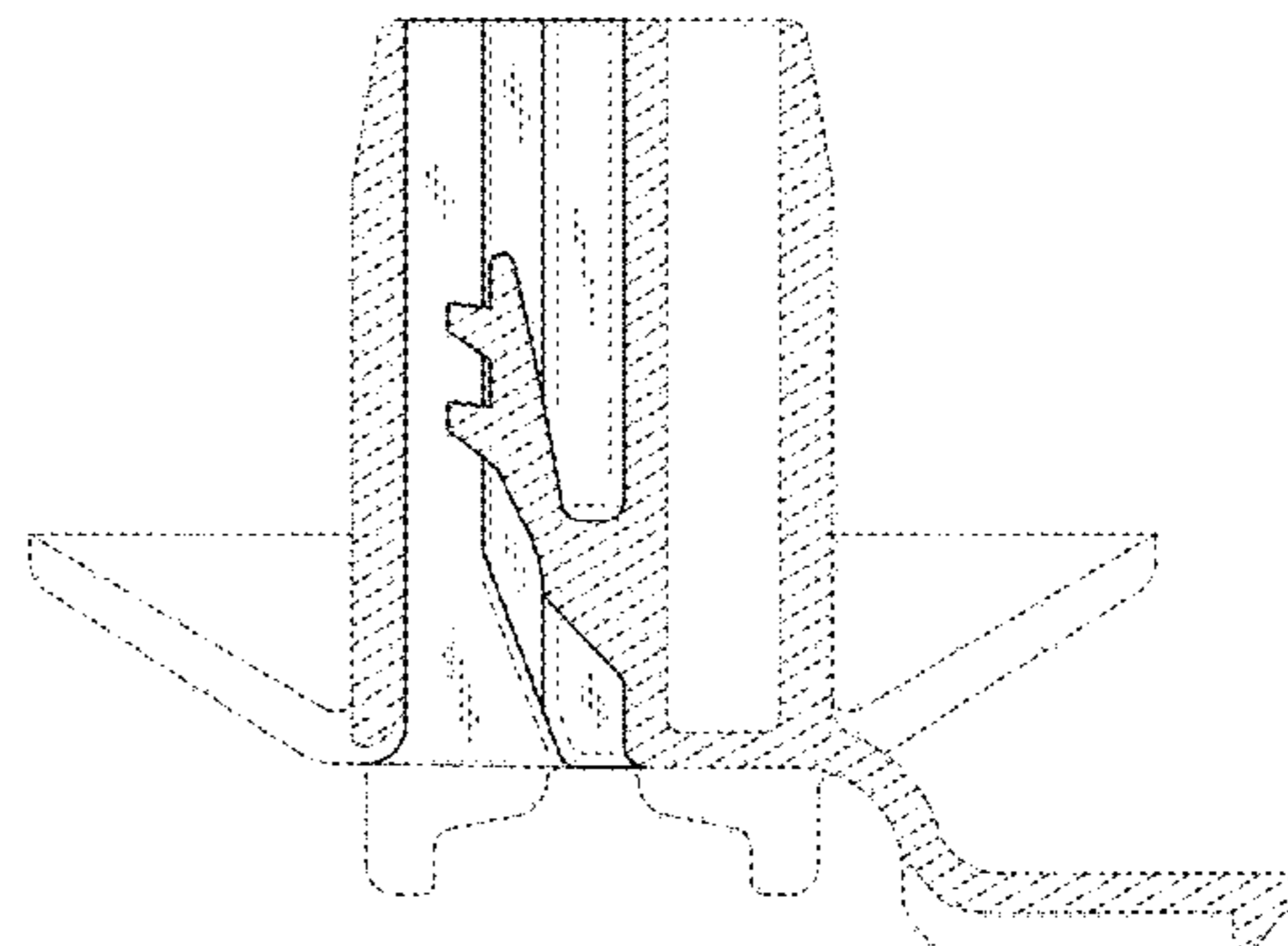
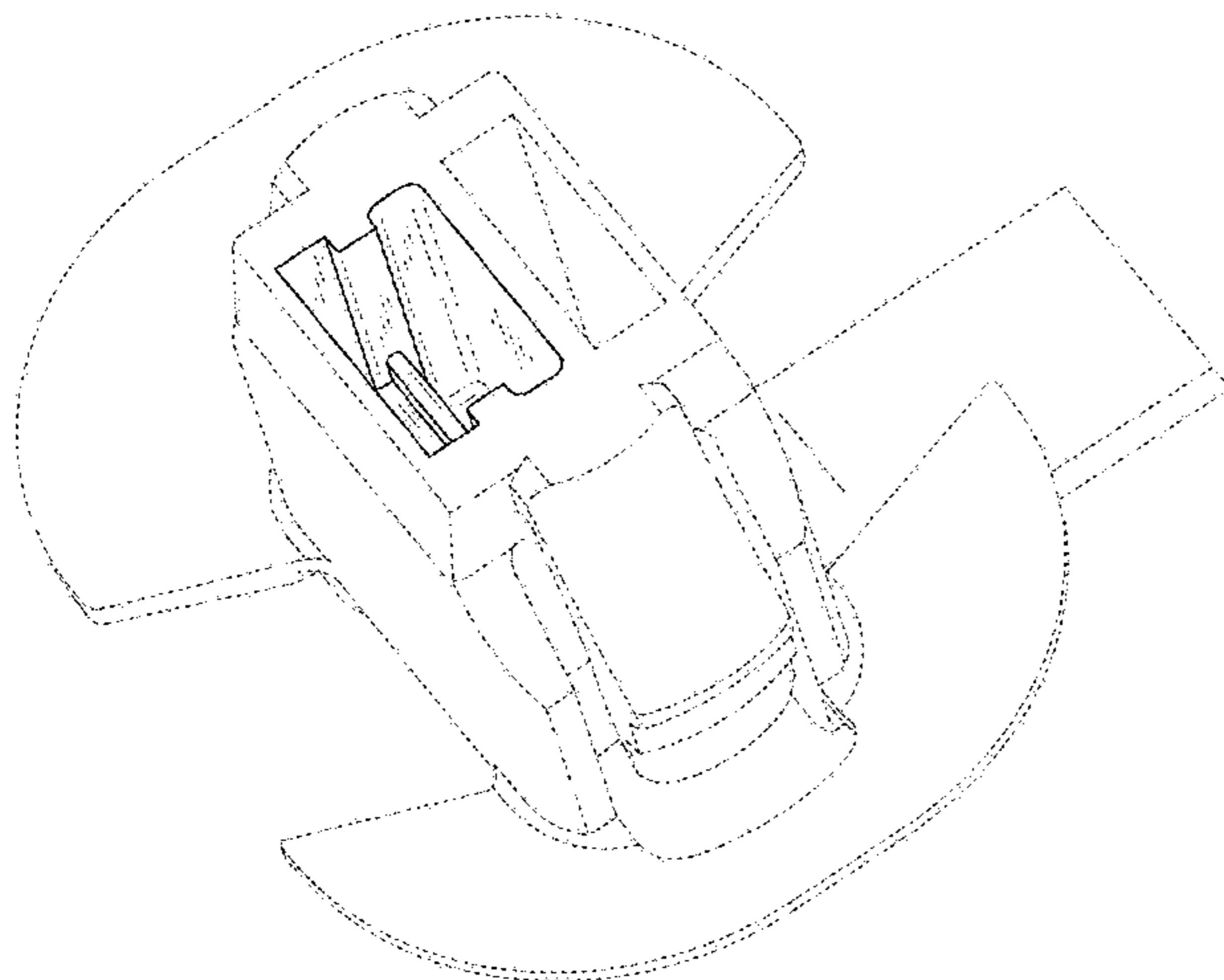
FIG. 11 is an enlarged view of the portion indicated by line 11-11 in FIG. 4 thereof;

FIG. 12 is a cross sectional view taken along line 12-12 in FIG. 10 thereof; and,

FIG. 13 is a cross sectional view taken along line 13-13 in FIG. 10 thereof.

The features shown in broken lines in the drawings depict environmental subject matter only and form no part of the claimed design. The dash-dotted lines in FIGS. 2, 4, 9, 11, and 12 denote the boundary of the claim and form no part of the claimed design.

**1 Claim, 10 Drawing Sheets**



(58) **Field of Classification Search**  
 CPC ... F16L 3/2334; F16L 3/2338; Y10T 24/1498;  
 Y10T 24/14; Y10T 24/141; Y10T 24/15;  
 Y10T 24/153  
 See application file for complete search history.

(56) **References Cited**

U.S. PATENT DOCUMENTS

|           |      |         |                  |                          |
|-----------|------|---------|------------------|--------------------------|
| D305,099  | S    | 12/1989 | Naruse et al.    |                          |
| 5,131,613 | A    | 7/1992  | Kamiya et al.    |                          |
| 5,146,654 | A *  | 9/1992  | Caveney .....    | B29C 45/0053<br>24/16 PB |
| 5,267,373 | A *  | 12/1993 | Chisek .....     | B65D 63/1072<br>24/16 PB |
| D372,665  | S    | 8/1996  | Kim              |                          |
| 5,601,261 | A    | 2/1997  | Koike            |                          |
| 5,669,111 | A *  | 9/1997  | Rohaly .....     | B65D 63/1072<br>24/16 PB |
| D389,051  | S *  | 1/1998  | Caveney .....    | 24/16 PB                 |
| D417,142  | S    | 11/1999 | Kim              |                          |
| D417,387  | S    | 12/1999 | Kim              |                          |
| D417,838  | S    | 12/1999 | Kim              |                          |
| D422,487  | S    | 4/2000  | Khokhar          |                          |
| D444,054  | S    | 6/2001  | Bernard et al.   |                          |
| 6,279,203 | B1   | 8/2001  | Hundley et al.   |                          |
| D459,206  | S    | 6/2002  | Caveney et al.   |                          |
| 6,484,366 | B1   | 11/2002 | Deschenes et al. |                          |
| D471,435  | S    | 3/2003  | Krisel et al.    |                          |
| D488,374  | S    | 4/2004  | Hussaini et al.  |                          |
| D520,865  | S    | 5/2006  | Wakabayashi      |                          |
| D530,600  | S    | 10/2006 | Krisel et al.    |                          |
| 7,303,711 | B2   | 12/2007 | Gallant et al.   |                          |
| D596,933  | S    | 7/2009  | Banno et al.     |                          |
| D606,832  | S    | 12/2009 | Wan et al.       |                          |
| 7,774,905 | B2 * | 8/2010  | Geiger .....     | F16L 3/2332<br>24/16 PB  |
| 7,779,515 | B2   | 8/2010  | Demik et al.     |                          |
| D624,811  | S    | 10/2010 | Wakabayashi      |                          |
| 8,069,537 | B2   | 12/2011 | Gallant          |                          |

|              |      |         |                |                          |
|--------------|------|---------|----------------|--------------------------|
| 8,282,047    | B2   | 10/2012 | Franks         |                          |
| 8,510,918    | B2 * | 8/2013  | Shilale .....  | B65D 63/1072<br>24/16 PB |
| D701,453     | S    | 3/2014  | Wang           |                          |
| D723,361     | S    | 3/2015  | Adams          |                          |
| D729,044     | S *  | 5/2015  | Asai .....     | D8/356                   |
| D729,054     | S    | 5/2015  | Chen           |                          |
| D732,945     | S    | 6/2015  | Asai           |                          |
| D741,691     | S    | 10/2015 | Adams          |                          |
| D751,888     | S    | 3/2016  | Sakamoto       |                          |
| D757,523     | S    | 5/2016  | Kim et al.     |                          |
| D757,530     | S    | 5/2016  | Straney et al. |                          |
| D761,642     | S    | 7/2016  | Nagayasu       |                          |
| 2003/0163904 | A1 * | 9/2003  | O'Young .....  | B65D 63/1072<br>24/16 PB |
| 2005/0115029 | A1   | 6/2005  | Magno, Jr.     |                          |
| 2007/0028426 | A1 * | 2/2007  | Laporte .....  | B65D 63/1063<br>24/16 PB |
| 2007/0175001 | A1 * | 8/2007  | Tomory .....   | B65D 63/1072<br>24/16 PB |
| 2008/0250609 | A1   | 10/2008 | Franks         |                          |
| 2009/0172922 | A1   | 7/2009  | Laporte        |                          |
| 2011/0302746 | A1   | 12/2011 | Sano           |                          |
| 2012/0159742 | A1   | 6/2012  | Iwahara et al. |                          |
| 2015/0210453 | A1   | 7/2015  | Liang et al.   |                          |

OTHER PUBLICATIONS

“U.S. Appl. No. 29/522,833, Ex Parte Quayle Action mailed Dec. 18, 2015”, 6 pgs.  
 “U.S. Appl. No. 29/522,833, Notice of Allowance mailed Mar. 9, 2016”, 7 pgs.  
 “U.S. Appl. No. 29/522,833, Response filed Feb. 9, 2016 to Ex Parte Quayle Action mailed Dec. 18, 2015”, 3 pgs.  
 “U.S. Appl. No. 29/522,835, Non Final Office Action mailed Jun. 14, 2016”, 6 pgs.  
 Nagayasu, Daiki, et al., “Cable Tie”, U.S. Appl. No. 29/522,835, filed Apr. 2, 2015, 14 pgs.

\* cited by examiner

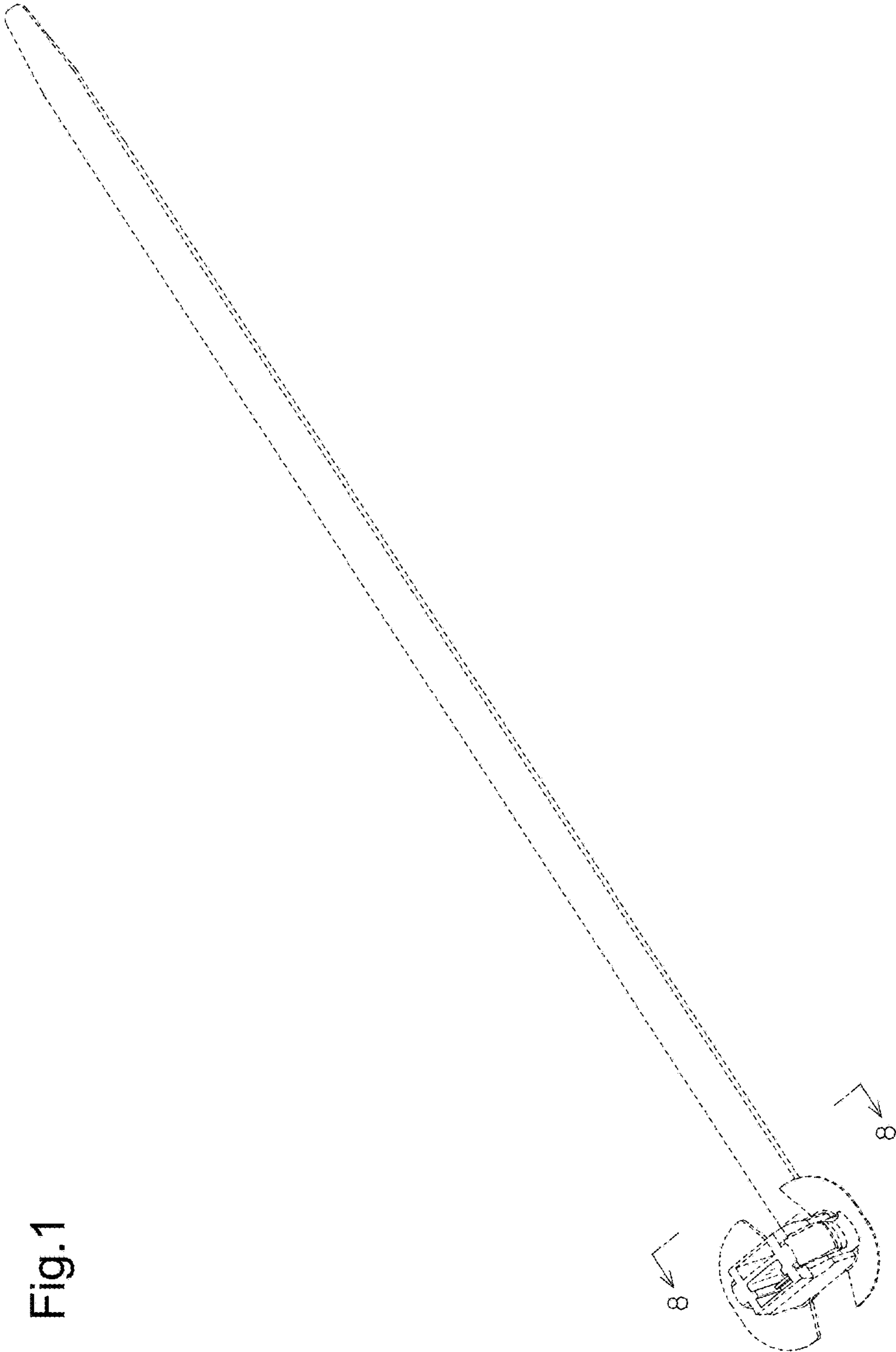


Fig. 1

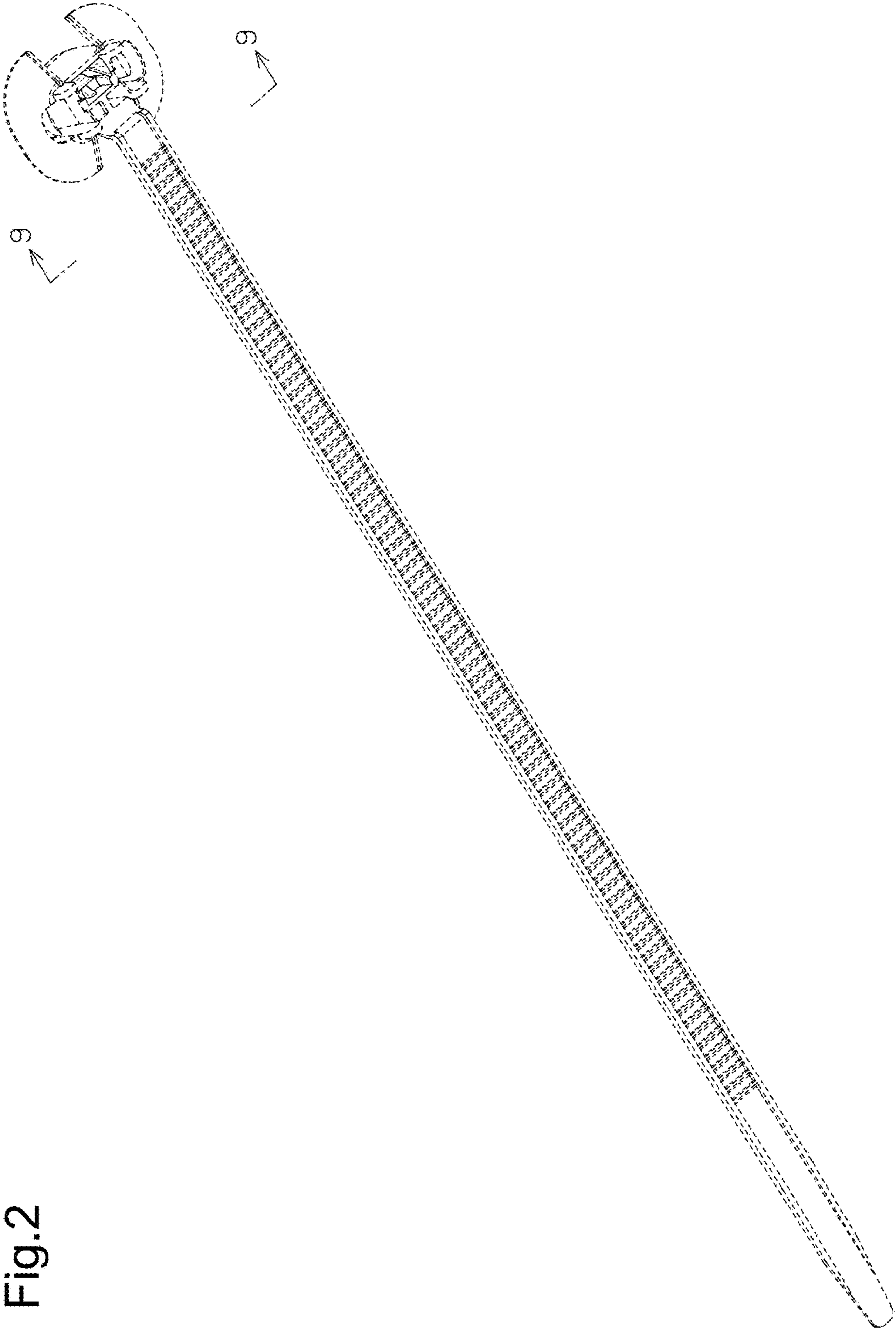


Fig. 2

Fig.3

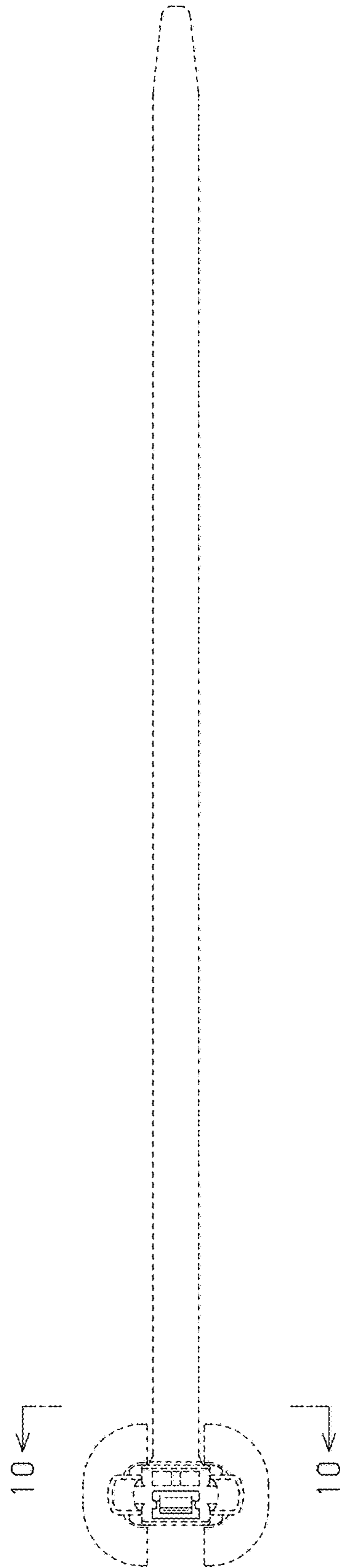


Fig.4

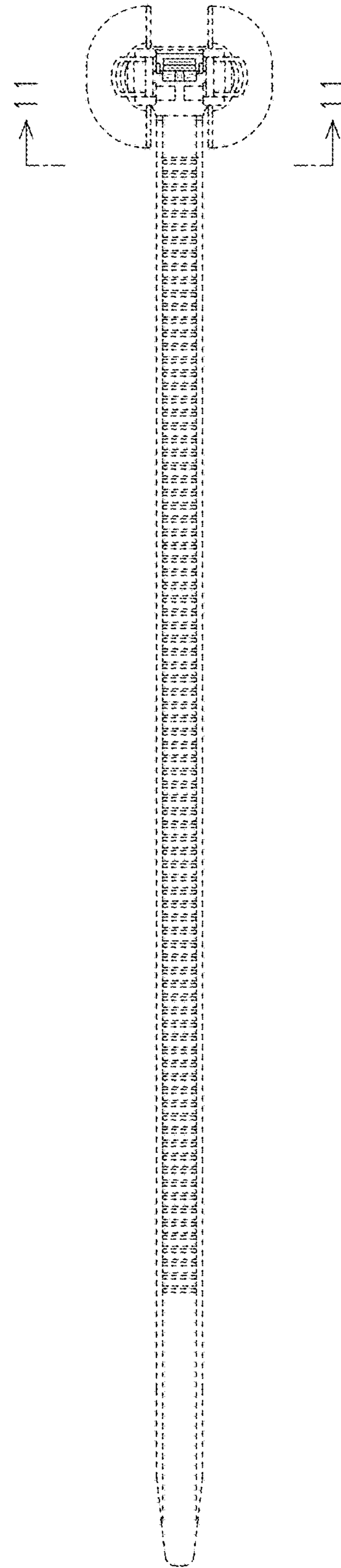


Fig.5

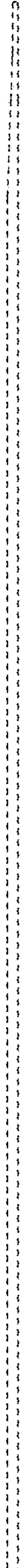
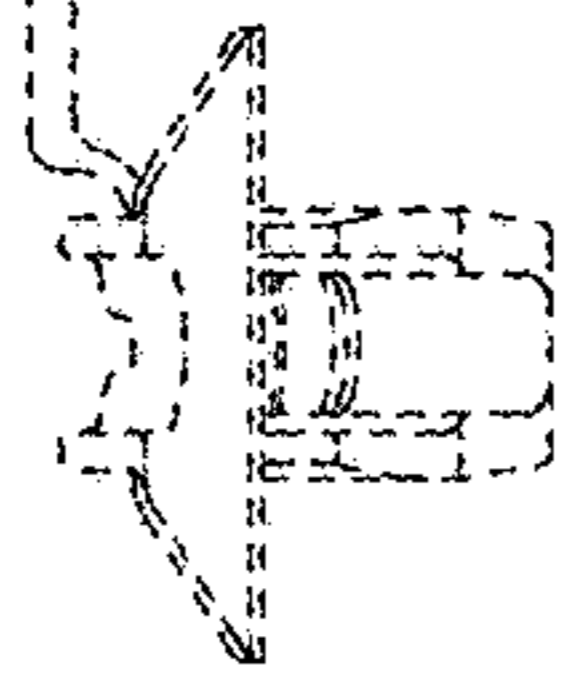


Fig.6

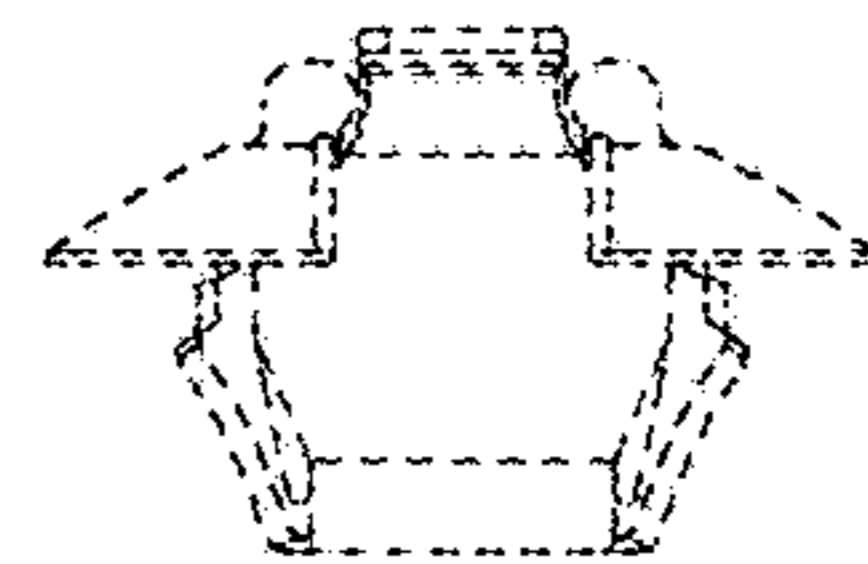
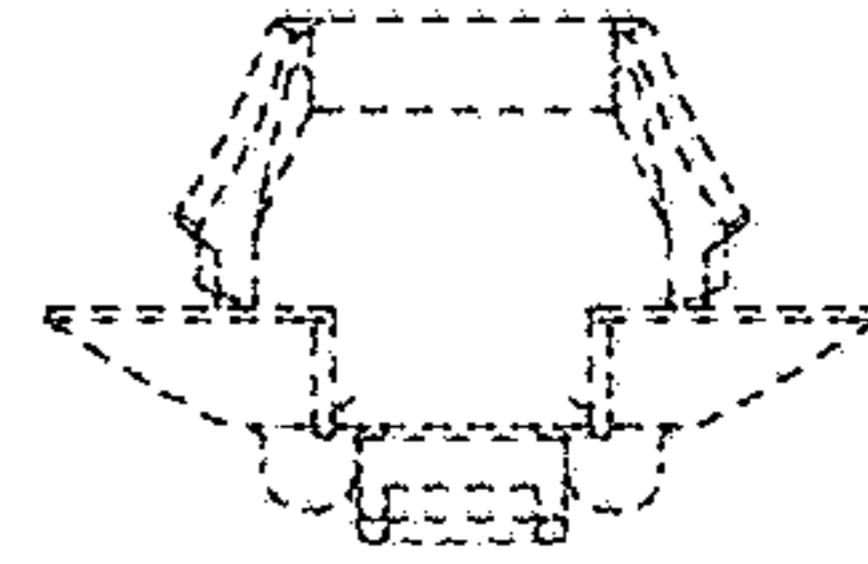


Fig.7



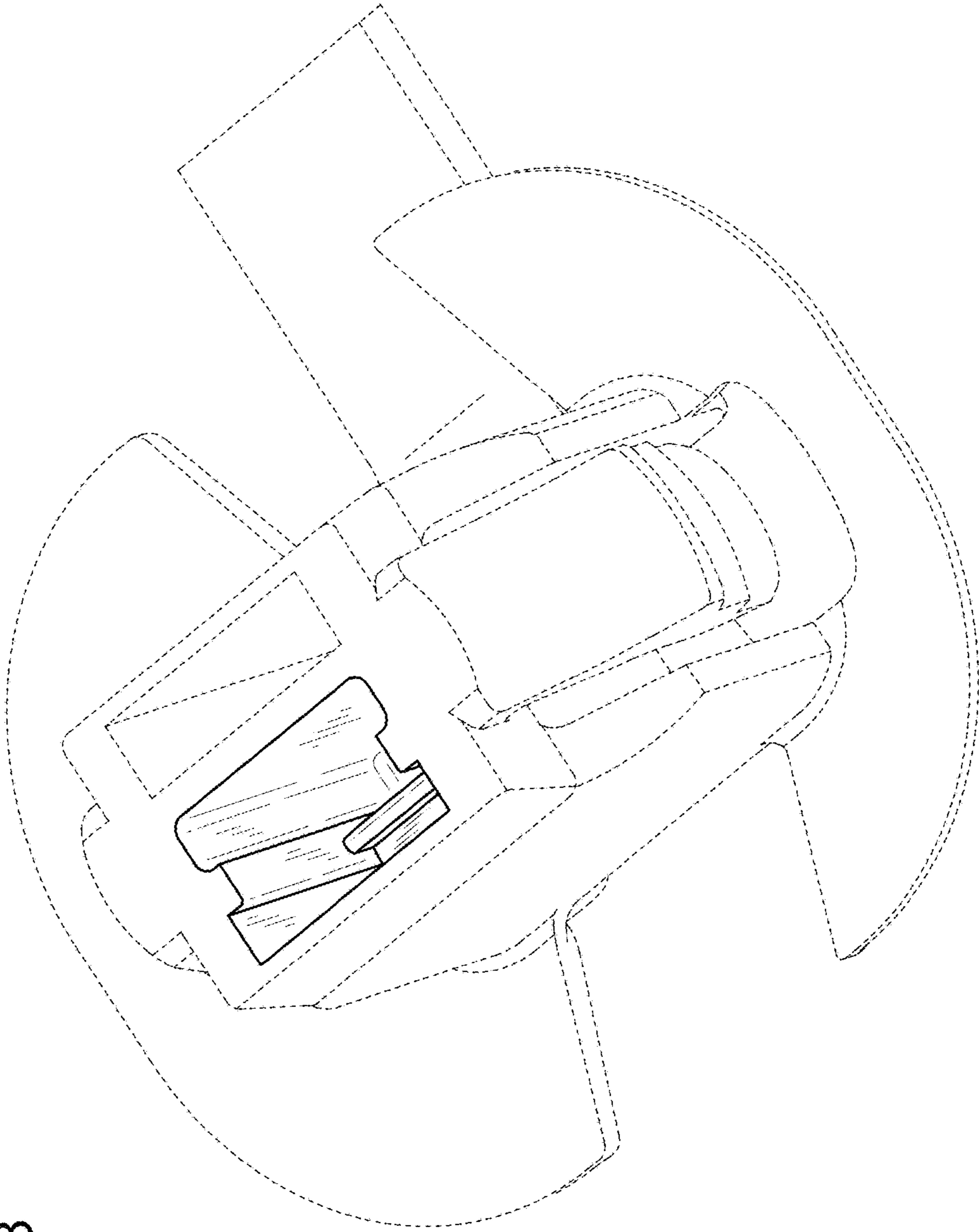


Fig.8

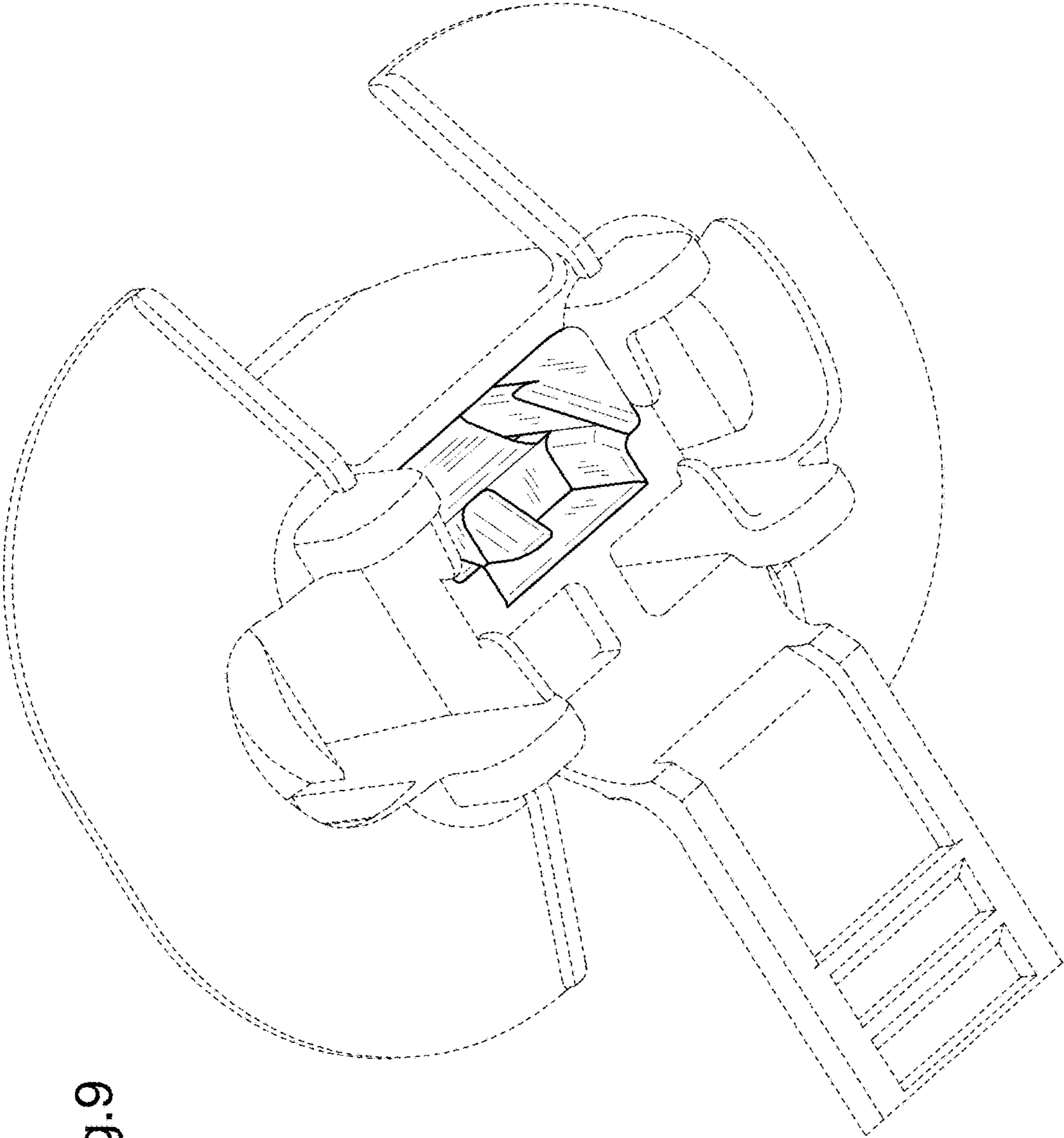


Fig.9



Fig.10

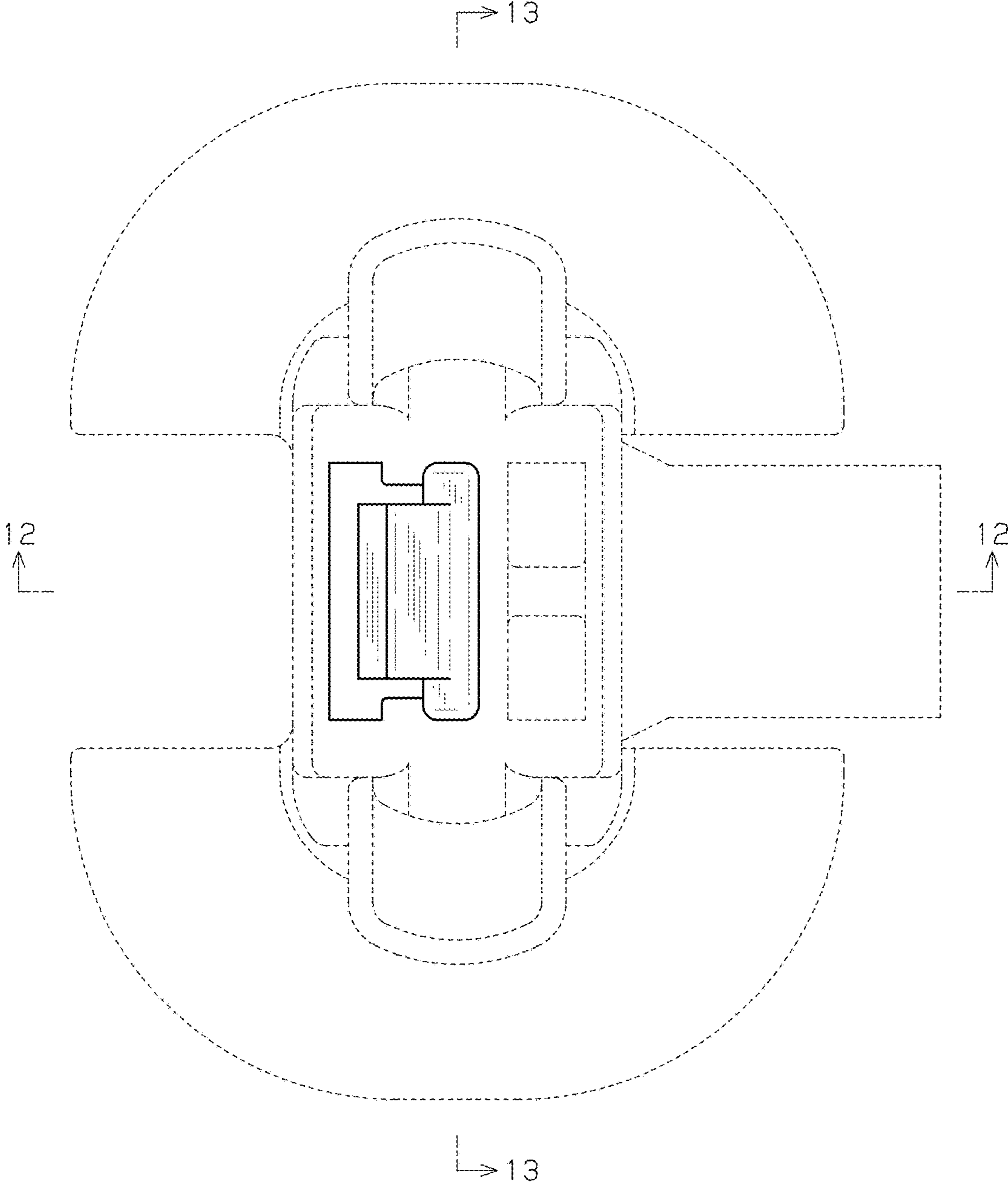


Fig.11

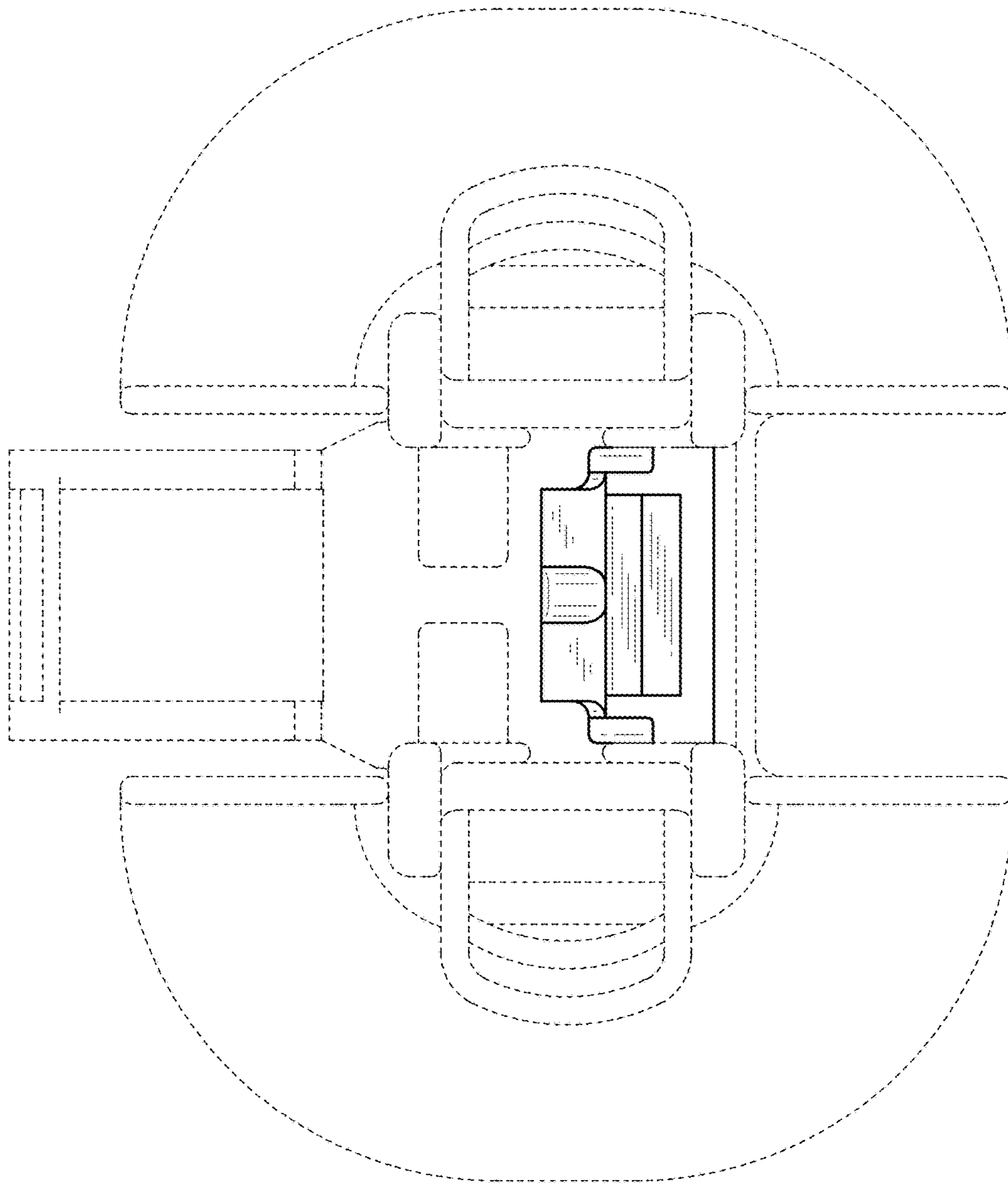


Fig.12

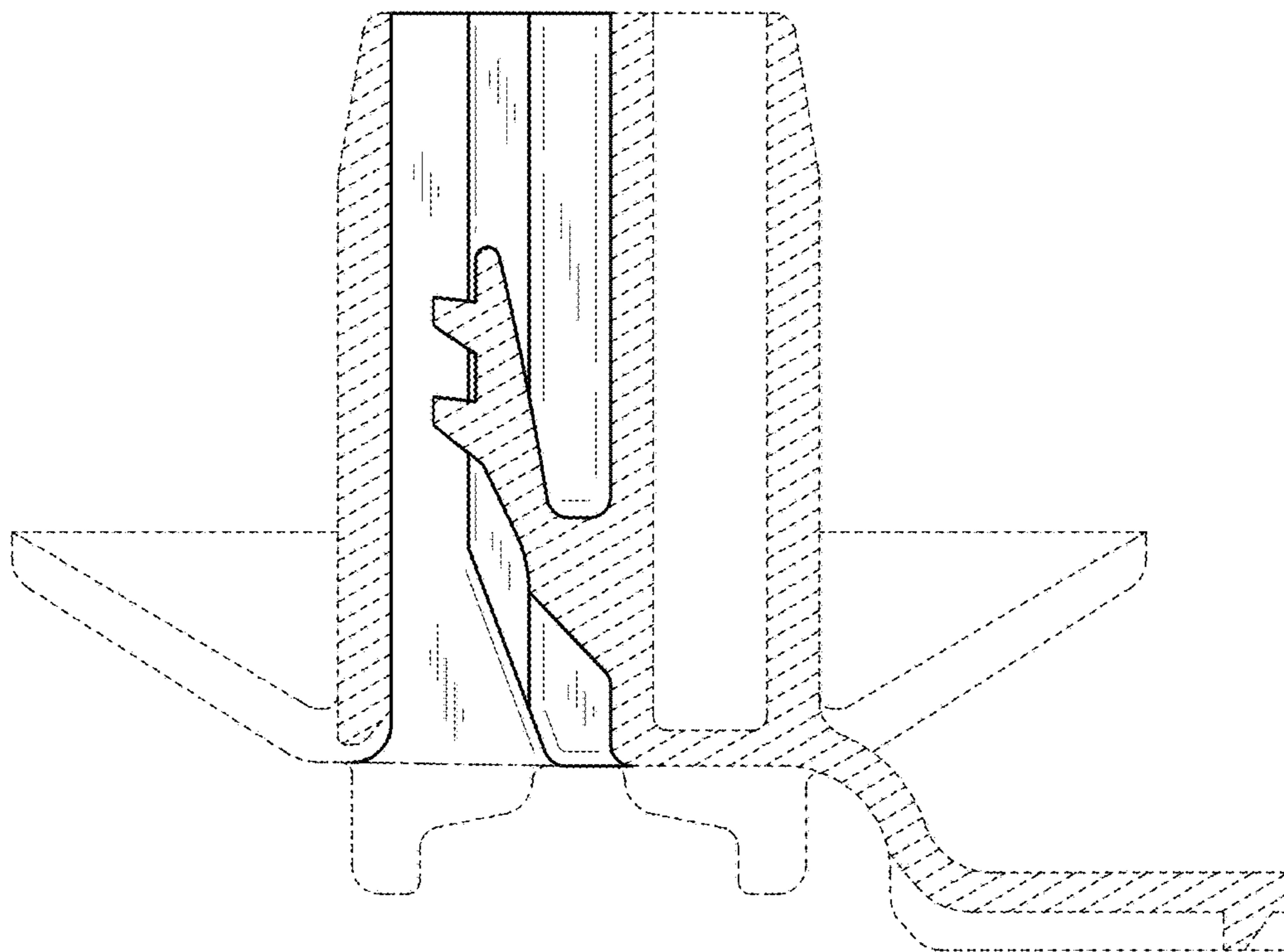


Fig.13

