



US00D781135S

(12) **United States Design Patent** (10) **Patent No.:** **US D781,135 S**
Ritchie et al. (45) **Date of Patent:** **** Mar. 14, 2017**

(54) **KEY** 7,370,501 B2 * 5/2008 Miyata E05B 19/043
70/395
(71) Applicant: **Caterpillar Inc.**, Peoria, IL (US) D579,318 S * 10/2008 Davis D8/347
D608,618 S * 1/2010 Rand D8/347
(72) Inventors: **Christian Ritchie**, Morton, IL (US); D663,606 S 7/2012 Doll et al.
Scott Larson, Brimfield, IL (US); D680,418 S 4/2013 Doll et al.
Mark Decou, Peoria, IL (US) D731,289 S * 6/2015 Ziegler D8/347
D733,523 S * 7/2015 Kobayashi D8/347

(73) Assignee: **Caterpillar Inc.**, Peoria, IL (US)

(**) Term: **15 Years**

(21) Appl. No.: **29/546,831**

(22) Filed: **Nov. 25, 2015**

(51) **LOC (10) Cl.** **08-07**

(52) **U.S. Cl.**
USPC **D8/347**

(58) **Field of Classification Search**
USPC D8/347, 348; 70/51, 336, 344, 348, 391,
70/393, 402, 408, 416, 429, 430, 460,
70/447, 257, 278.2, 278.3, 413, 456 R,
70/25, 2
CPC E05B 19/00; E05B 19/04; E05B 19/20;
E05B 13/00; E05B 11/00; E05B 27/00
See application file for complete search history.

(56) **References Cited**

U.S. PATENT DOCUMENTS

D302,238 S * 7/1989 Kopu D8/347
D307,704 S * 5/1990 Vonlanthen D8/347
5,730,013 A * 3/1998 Huang E05B 17/103
362/116
D424,911 S * 5/2000 Geringer D8/347
6,367,298 B1 * 4/2002 Janssen E05B 19/04
70/278.3
6,386,007 B1 * 5/2002 Johnson E05B 19/00
70/34
6,473,022 B1 * 10/2002 Wu G07C 9/00944
340/5.6
6,601,421 B1 * 8/2003 Chaille F16B 2/22
70/278.1

OTHER PUBLICATIONS

U.S. Appl. No. 29/537,983, filed Aug. 31, 2015. (Unpublished).
U.S. Appl. No. 29/537,987, filed Aug. 31, 2015. (Unpublished).
U.S. Appl. No. 29/537,996, filed Aug. 31, 2015. (Unpublished).

* cited by examiner

Primary Examiner — Prabhakar Deshmukh
(74) *Attorney, Agent, or Firm* — Saidman DesignLaw,
LLC

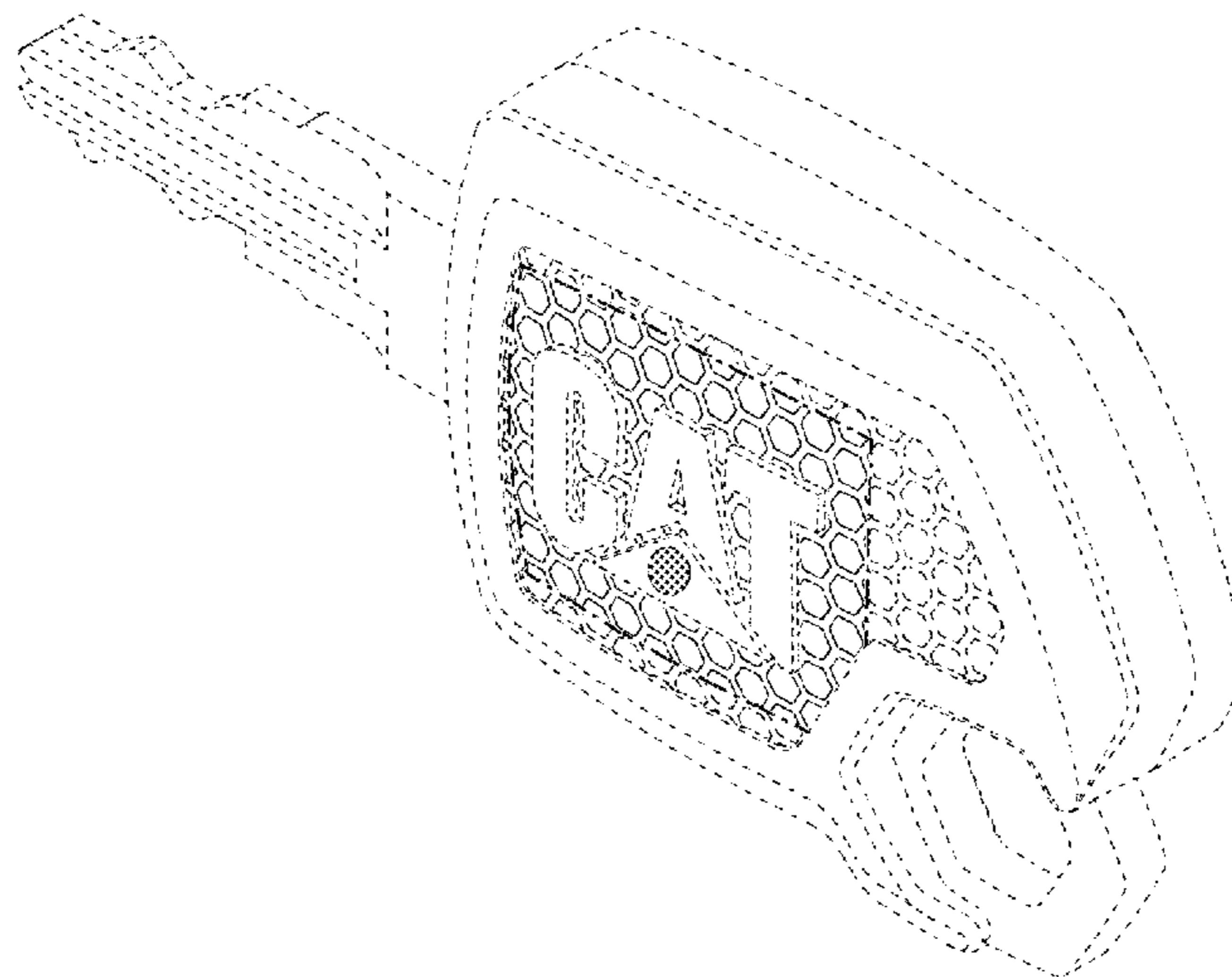
(57) **CLAIM**

The ornamental design for a key, as shown and described.

DESCRIPTION

FIG. 1 is a perspective view of a key showing our new design;
FIG. 2 is a front view thereof;
FIG. 3 is a rear view thereof;
FIG. 4 is a left side view thereof;
FIG. 5 is a right side view thereof;
FIG. 6 is a top view thereof; and,
FIG. 7 is a bottom view thereof.
The dashed broken lines illustrate structure or features which form no part of the claimed design.
The dot-dash broken lines represent boundaries of the claimed design; the boundaries themselves form no part of the claimed design.
The gray surface shading in FIGS. 1-2 represents a metallic surface.

1 Claim, 4 Drawing Sheets



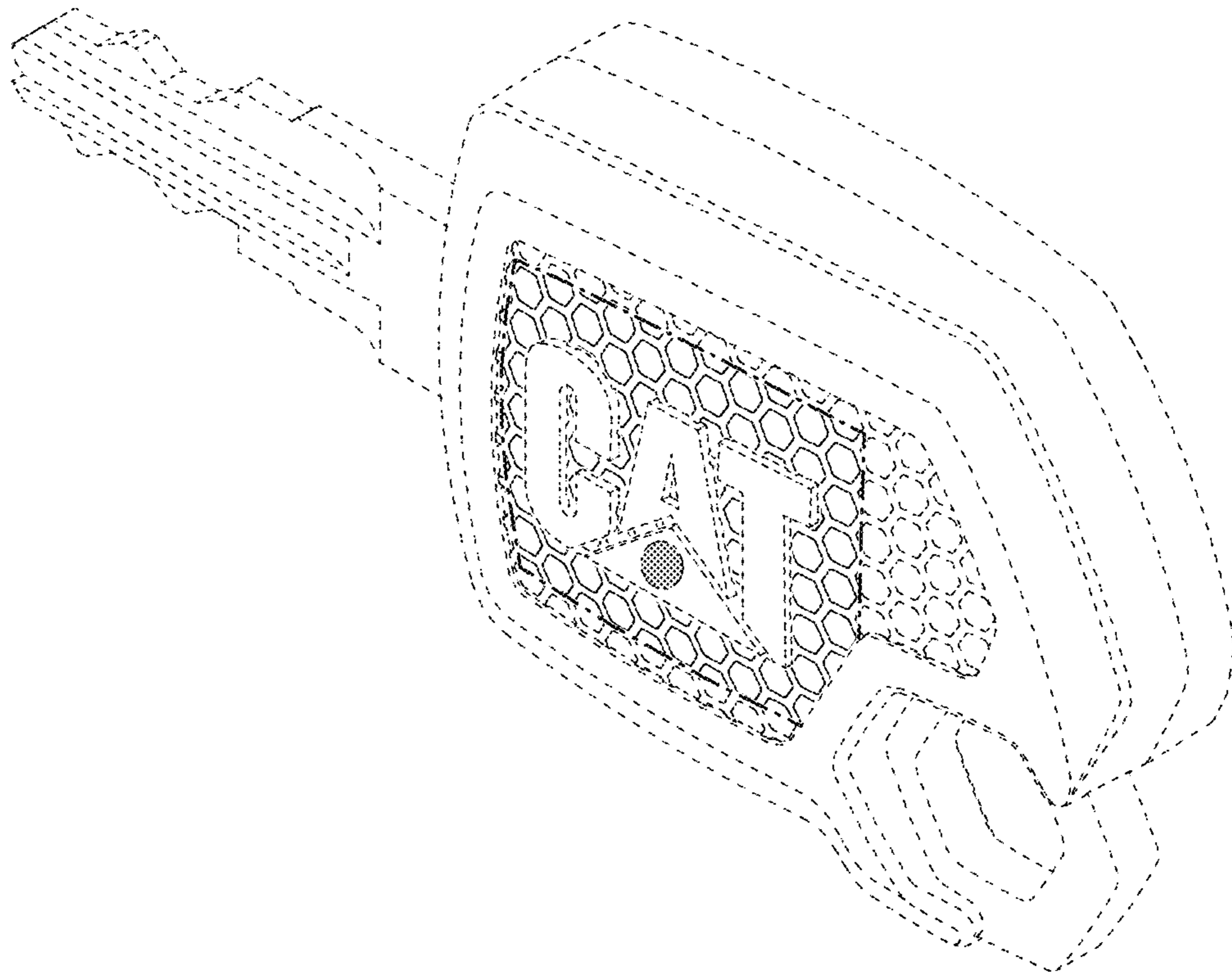


FIG. 1

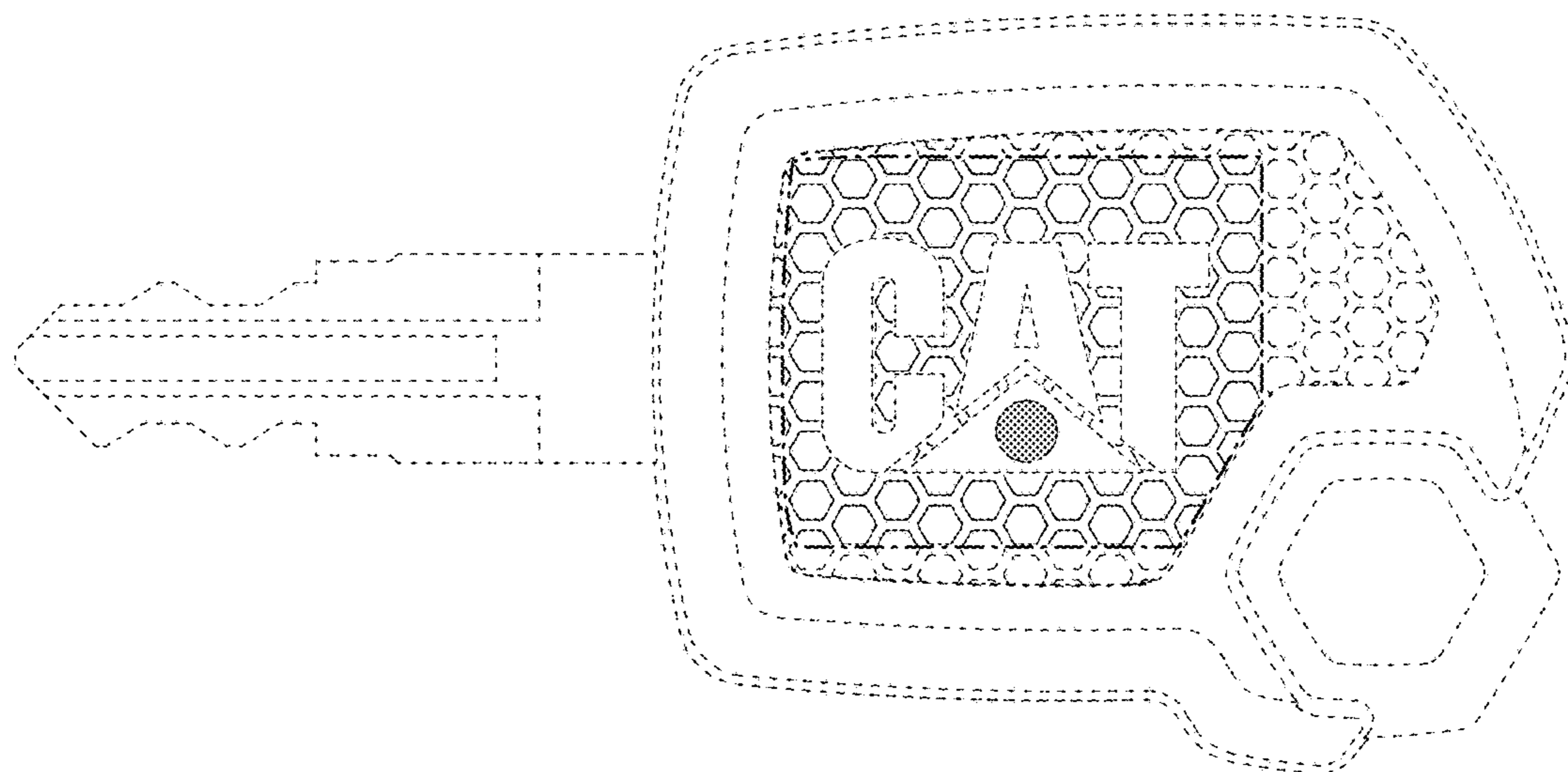


FIG. 2

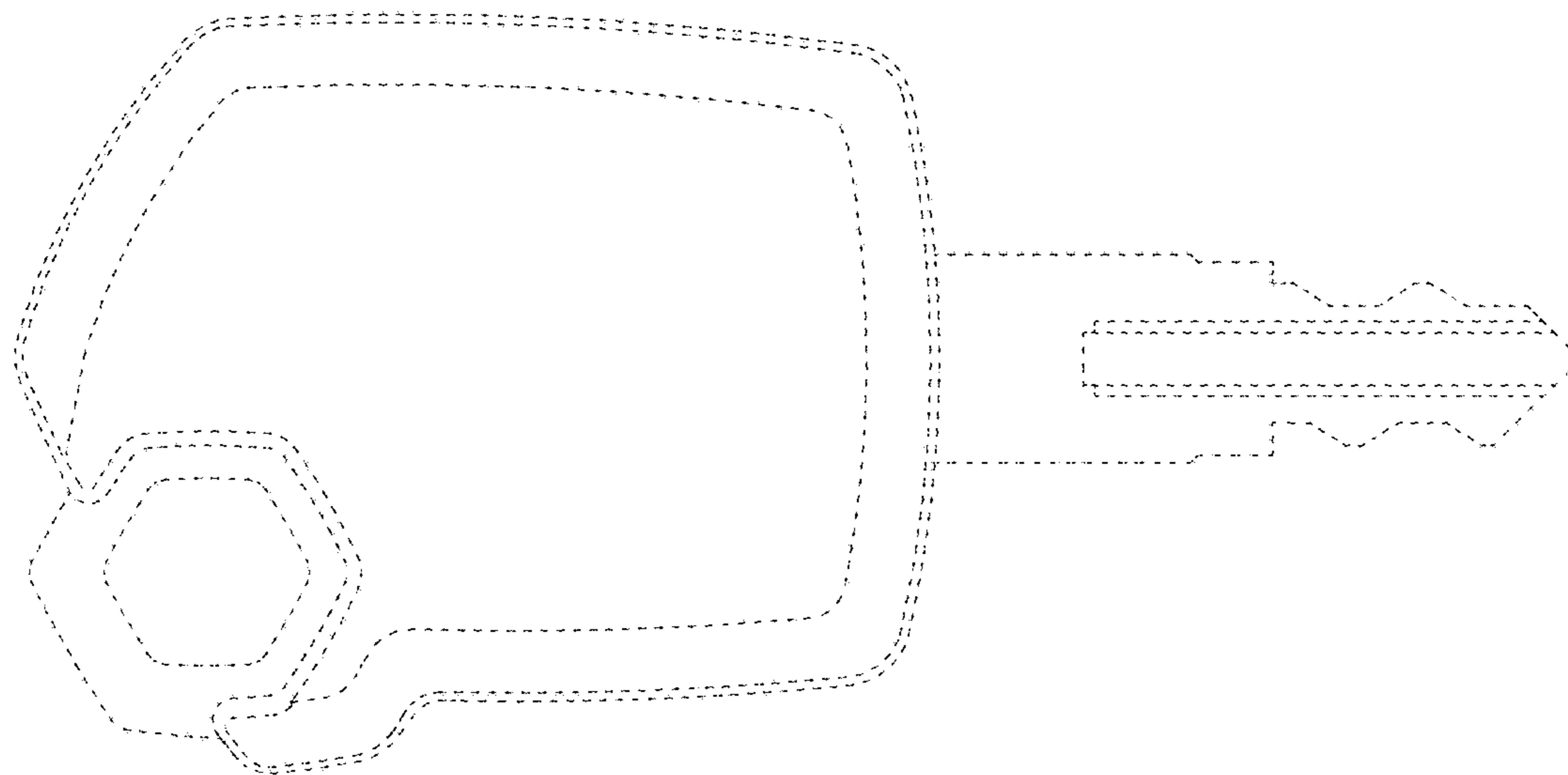


FIG. 3

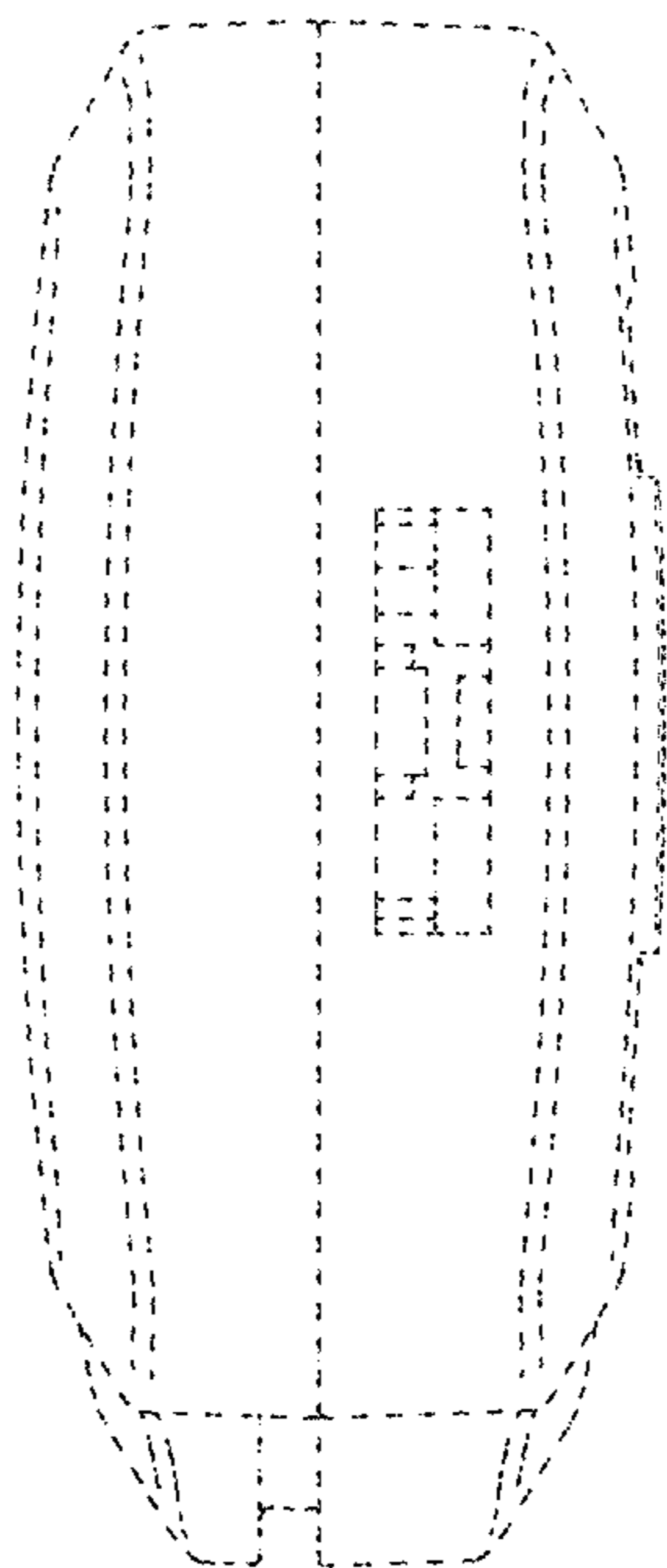


FIG. 4

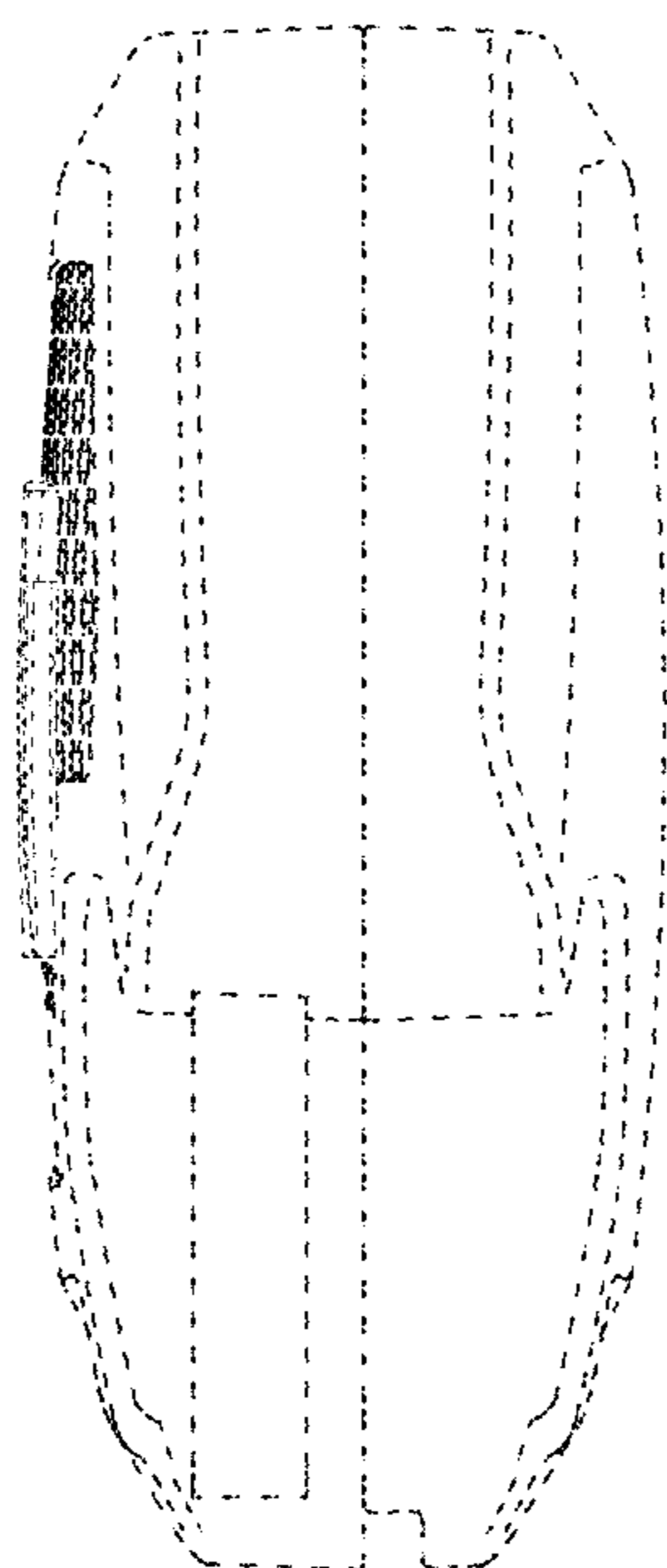


FIG. 5

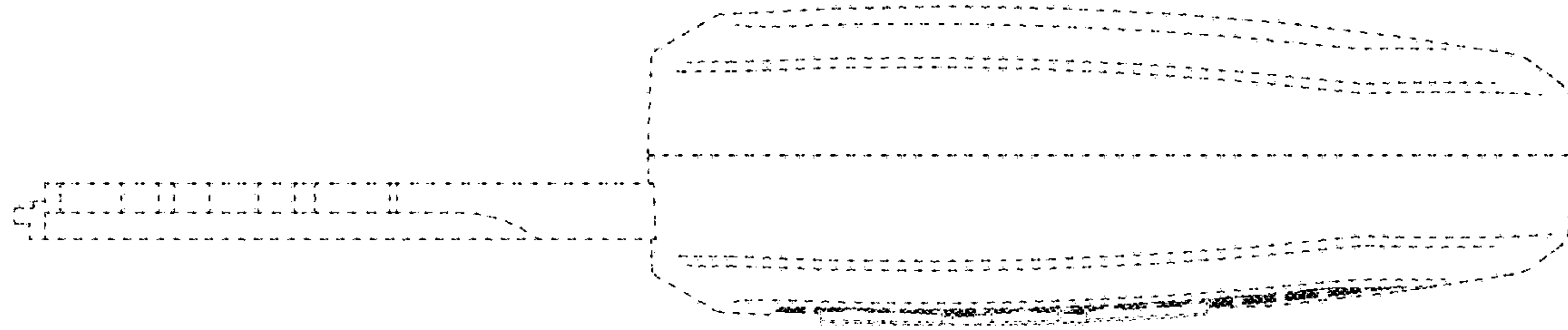


FIG. 6

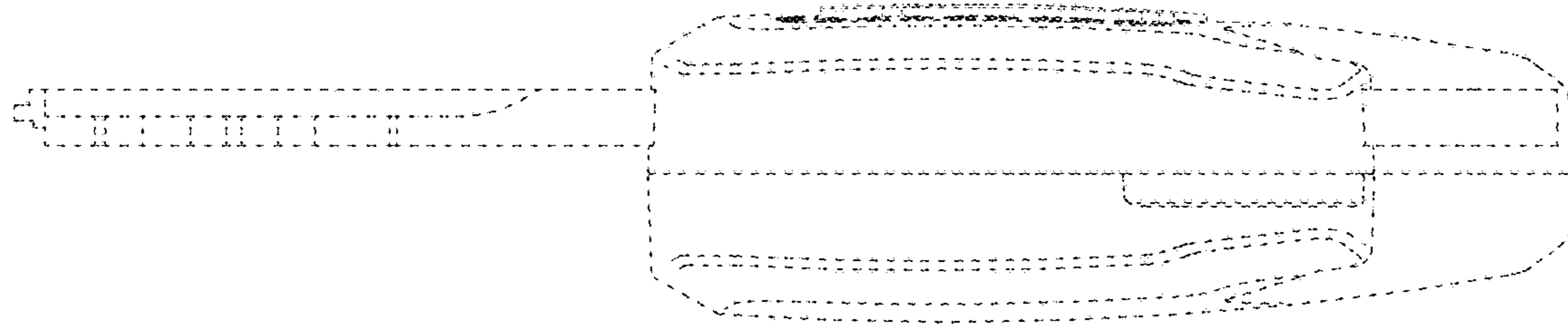


FIG. 7