



US00D781134S

(12) **United States Design Patent**
Watson

(10) **Patent No.:** **US D781,134 S**
(45) **Date of Patent:** **** Mar. 14, 2017**

- (54) **REMOVABLE HANDLE**
- (71) Applicant: **Robert Watson**, Rideau Ferry (CA)
- (72) Inventor: **Robert Watson**, Rideau Ferry (CA)
- (**) Term: **15 Years**
- (21) Appl. No.: **29/546,312**
- (22) Filed: **Nov. 20, 2015**
- (30) **Foreign Application Priority Data**
 - Jun. 19, 2015 (CA) 163068
- (51) **LOC (10) Cl.** **08-07**
- (52) **U.S. Cl.**
USPC **D8/343; D8/300**
- (58) **Field of Classification Search**
USPC D8/300, 301, 303, 321, 343, 349, 9, 107,
D8/DIG. 1, DIG. 7, DIG. 9, DIG. 10;
D3/324, 328, 318, 307, 276; D7/318,
D7/320, 600, 60.1, 387; D15/5, 18;
220/573.1, 212.5, 318, 696, 710.5, 752,
220/756, 759, 776
CPC .. B65D 5/46; B65D 5/46016; B65D 5/46128;
B65D 23/10; B65D 23/12; B65D 25/28;
A47J 45/10; A47J 45/062
See application file for complete search history.

- 7,090,094 B2 * 8/2006 Wade A47J 45/062
220/573.1
- D584,920 S * 1/2009 Munari D7/394
- D617,604 S * 6/2010 Munari D7/393
- 7,726,712 B2 * 6/2010 DuBois B65G 7/12
16/422
- 7,883,129 B2 * 2/2011 Jung A47J 45/10
220/759
- 8,684,889 B1 * 4/2014 Berrisford A63B 21/4035
482/107
- 8,876,178 B1 * 11/2014 Minter E05B 15/0033
292/336.3
- D720,572 S * 1/2015 Dodane D7/395
- D743,172 S * 11/2015 Hassler D3/318
- D751,860 S * 3/2016 McConnell D7/394

* cited by examiner

Primary Examiner — Prabhakar Deshmukh
(74) *Attorney, Agent, or Firm* — McDonald Hopkins LLC

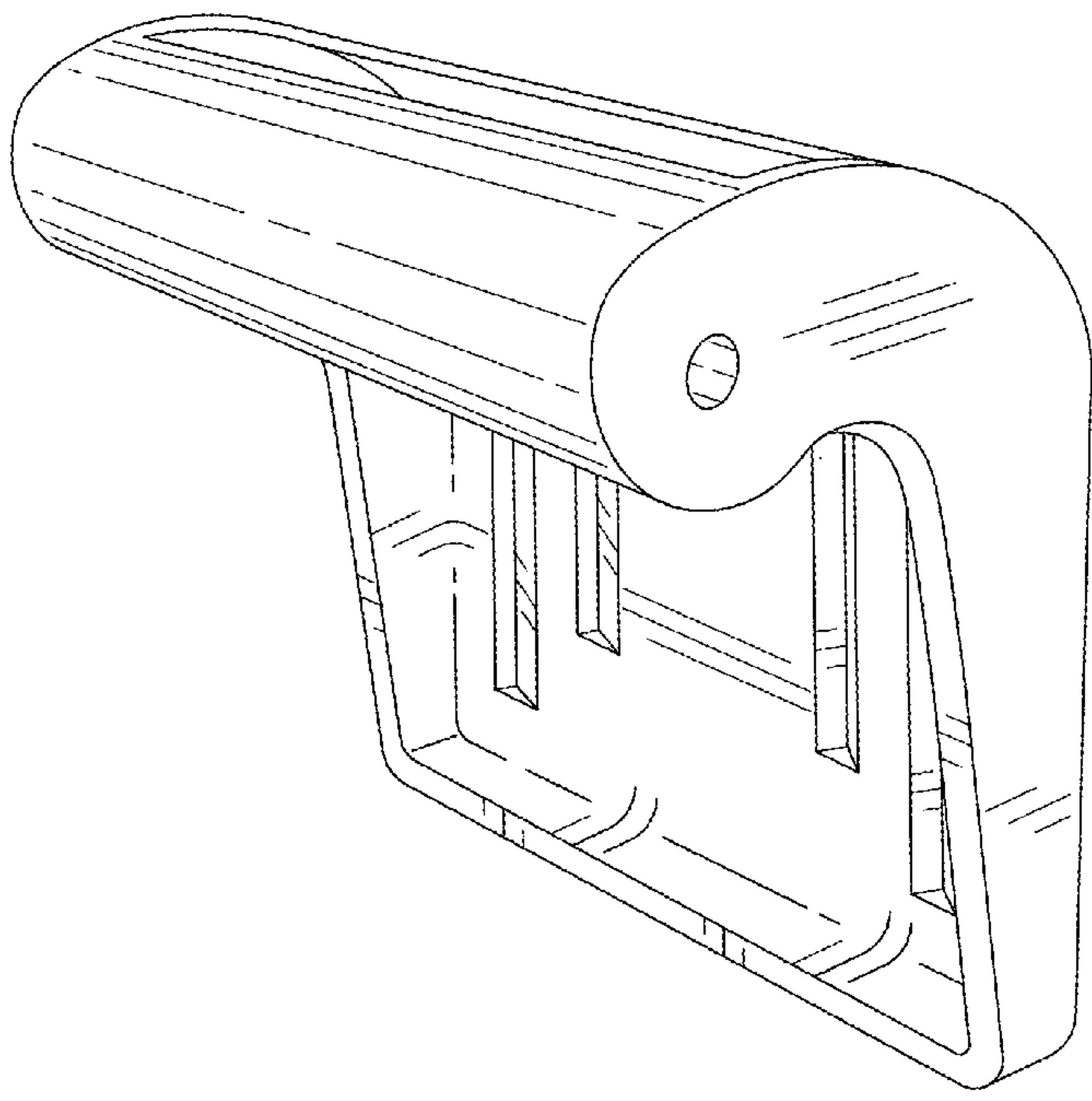
(57) **CLAIM**
The ornamental design for a removable handle, as shown and described.

DESCRIPTION

FIG. 1 is a right perspective view of a removable handle showing my new design;
FIG. 2 is a front view thereof;
FIG. 3 is a rear view thereof;
FIG. 4 is a left side view thereof;
FIG. 5 is a right side view thereof;
FIG. 6 is a top view thereof;
FIG. 7 is a bottom view thereof; and,
FIG. 8 is a left perspective view thereof in its environment.
The broken lines in the figures are included for the purpose of illustrating visible environmental structure and form no part of the claimed design.

1 Claim, 5 Drawing Sheets

- (56) **References Cited**
U.S. PATENT DOCUMENTS
6,187,474 B1 * 2/2001 Chalasani H01M 2/1005
429/163
D457,385 S * 5/2002 Dodane D7/392.1
D460,895 S * 7/2002 Lin D7/510



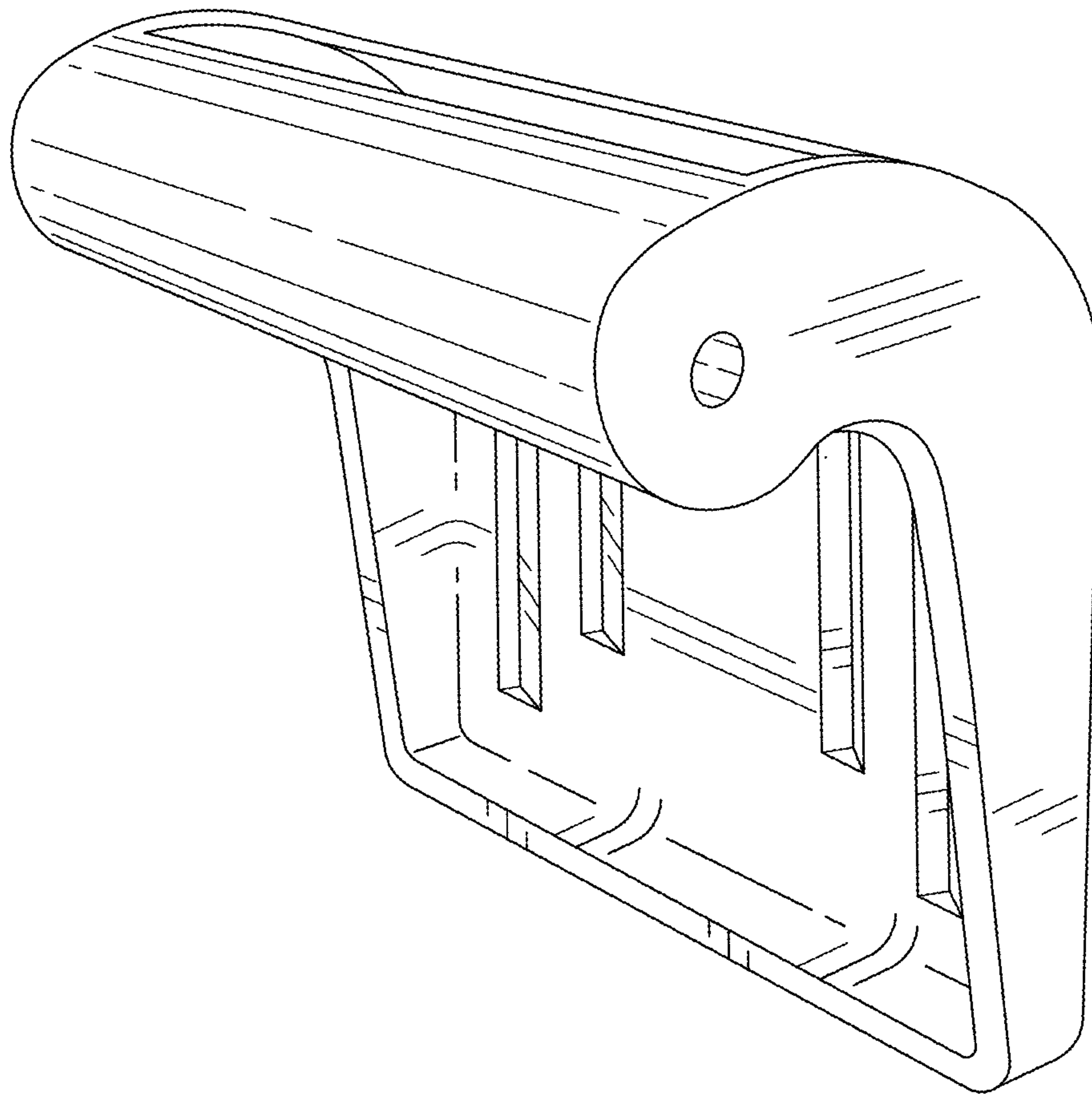


FIG. 1

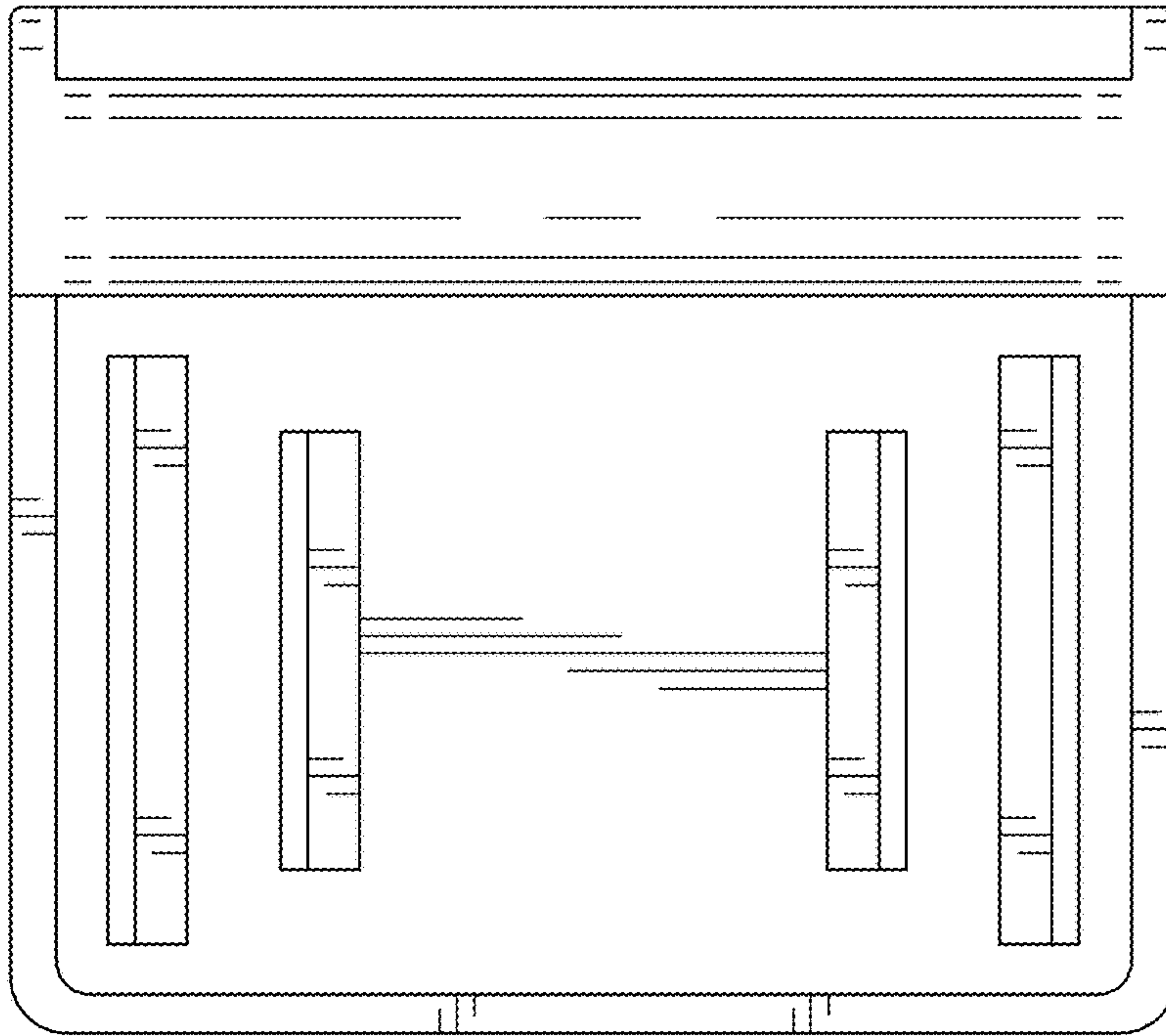


FIG. 2

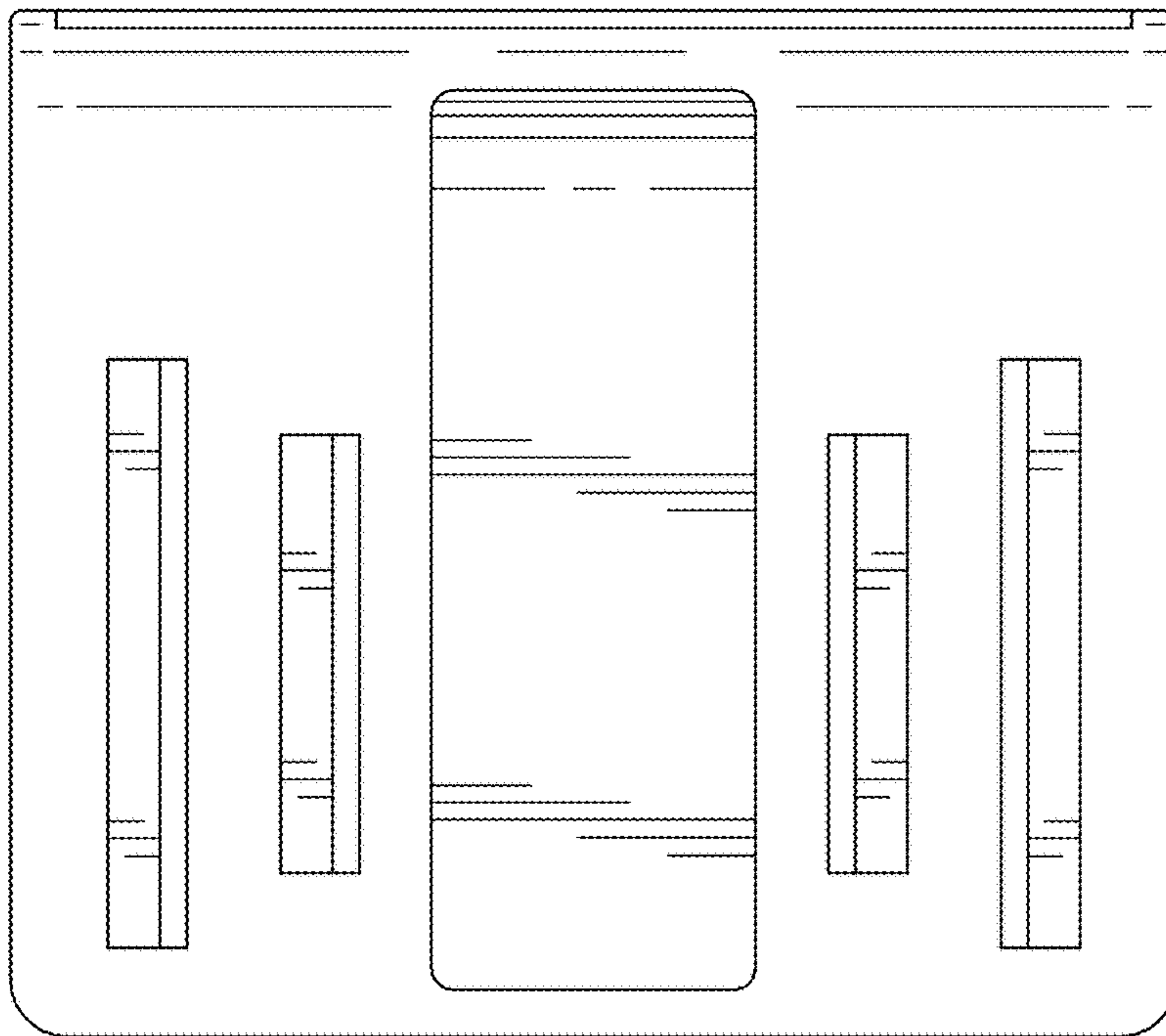


FIG. 3

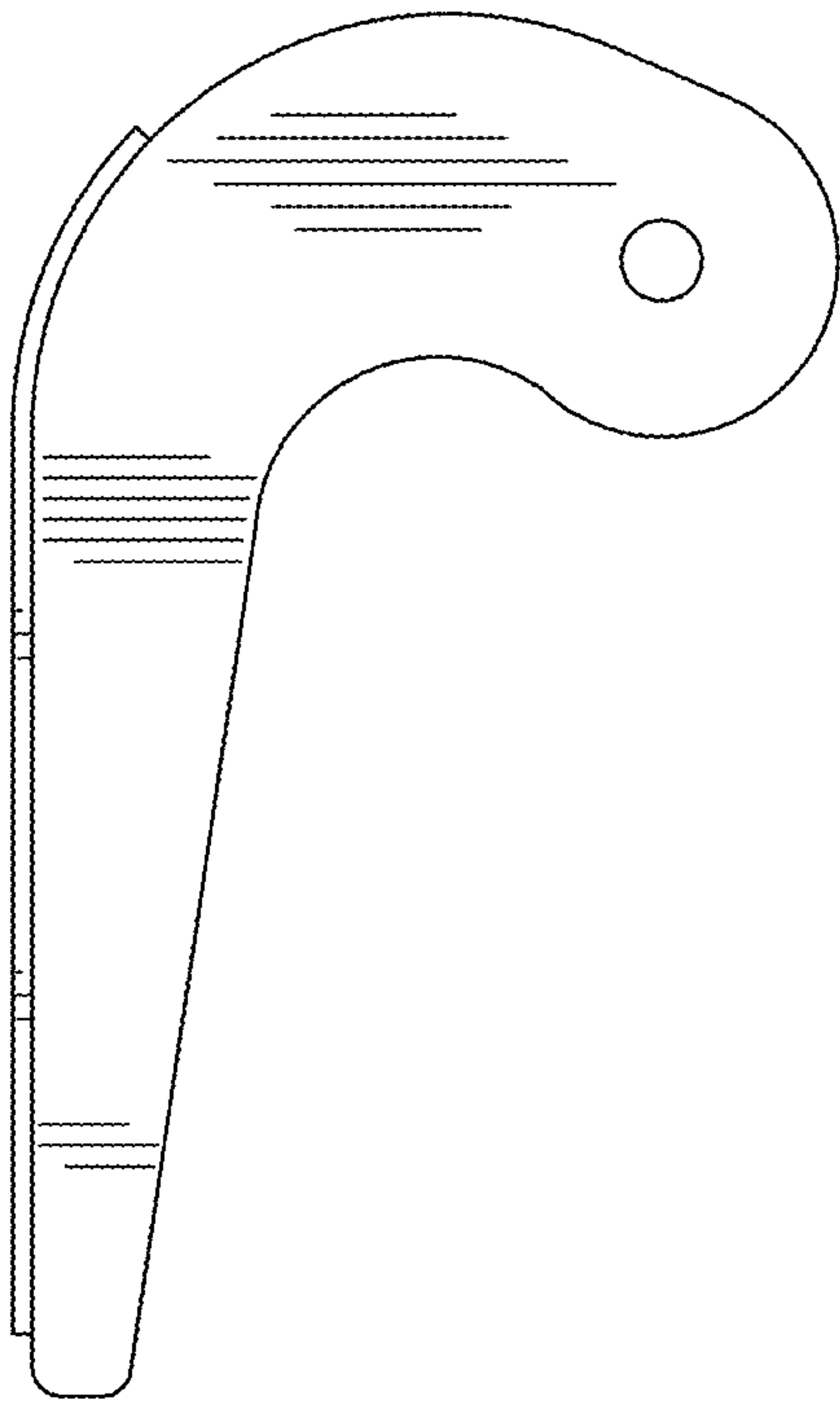


FIG. 4

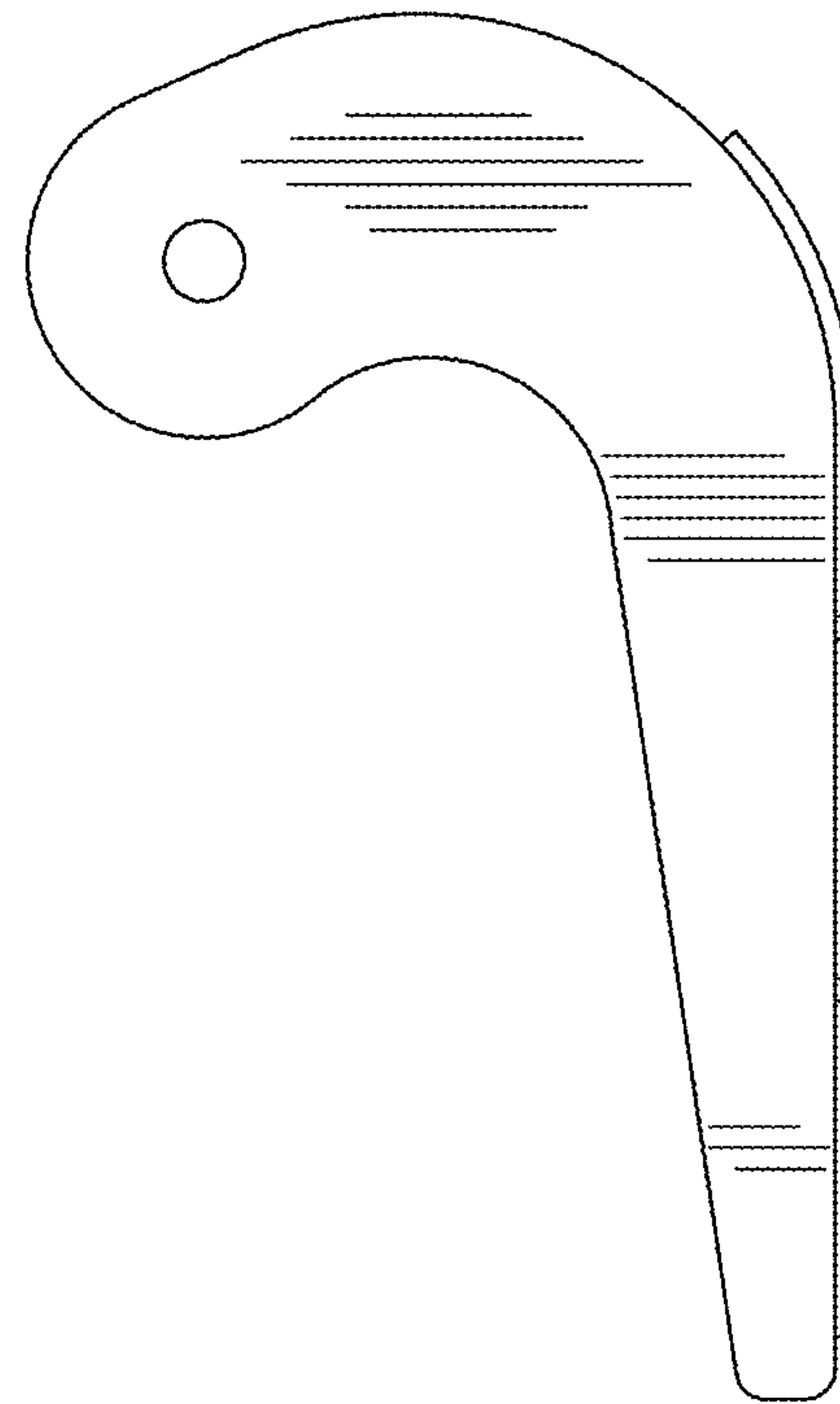


FIG. 5

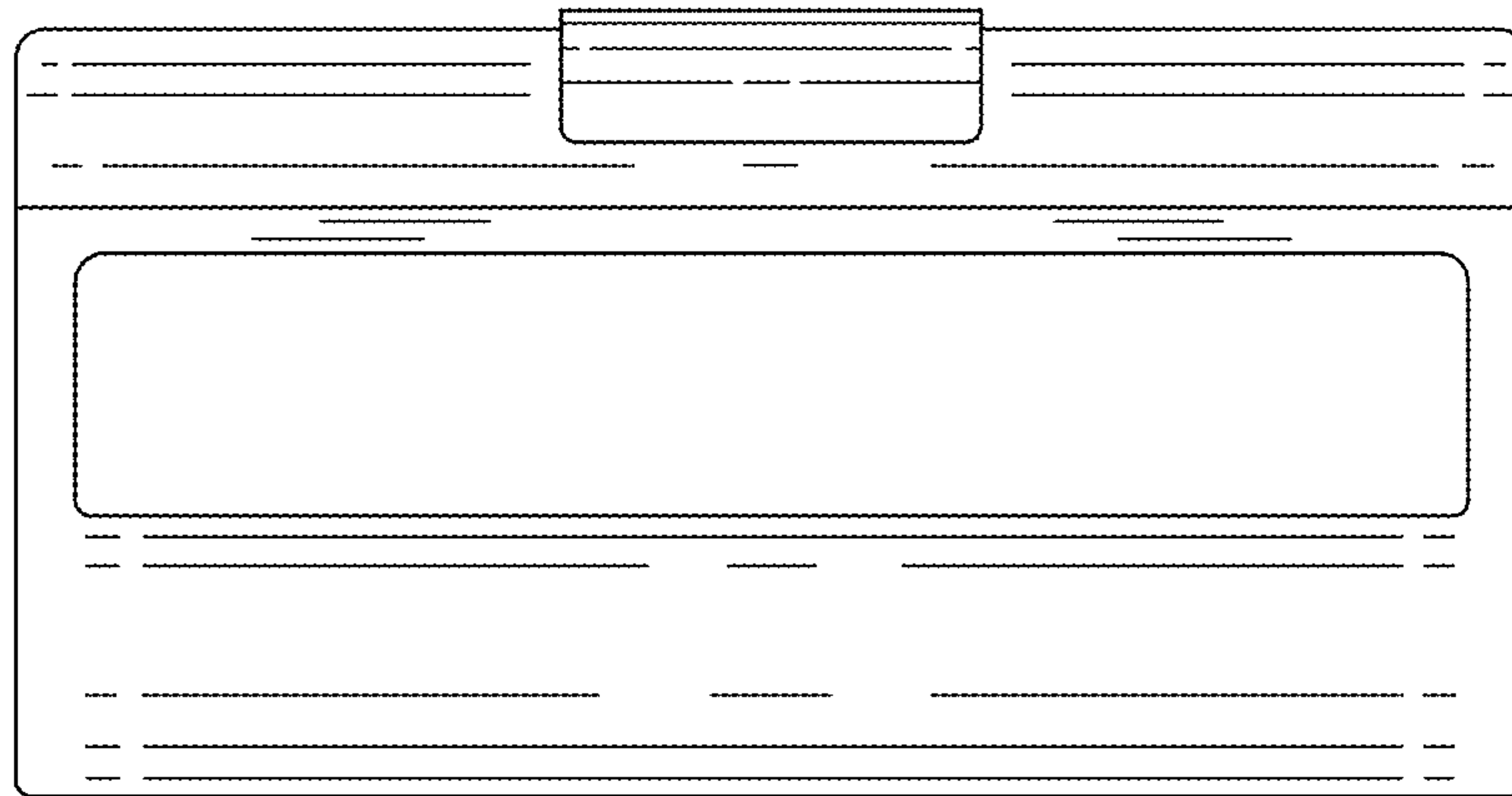


FIG. 6

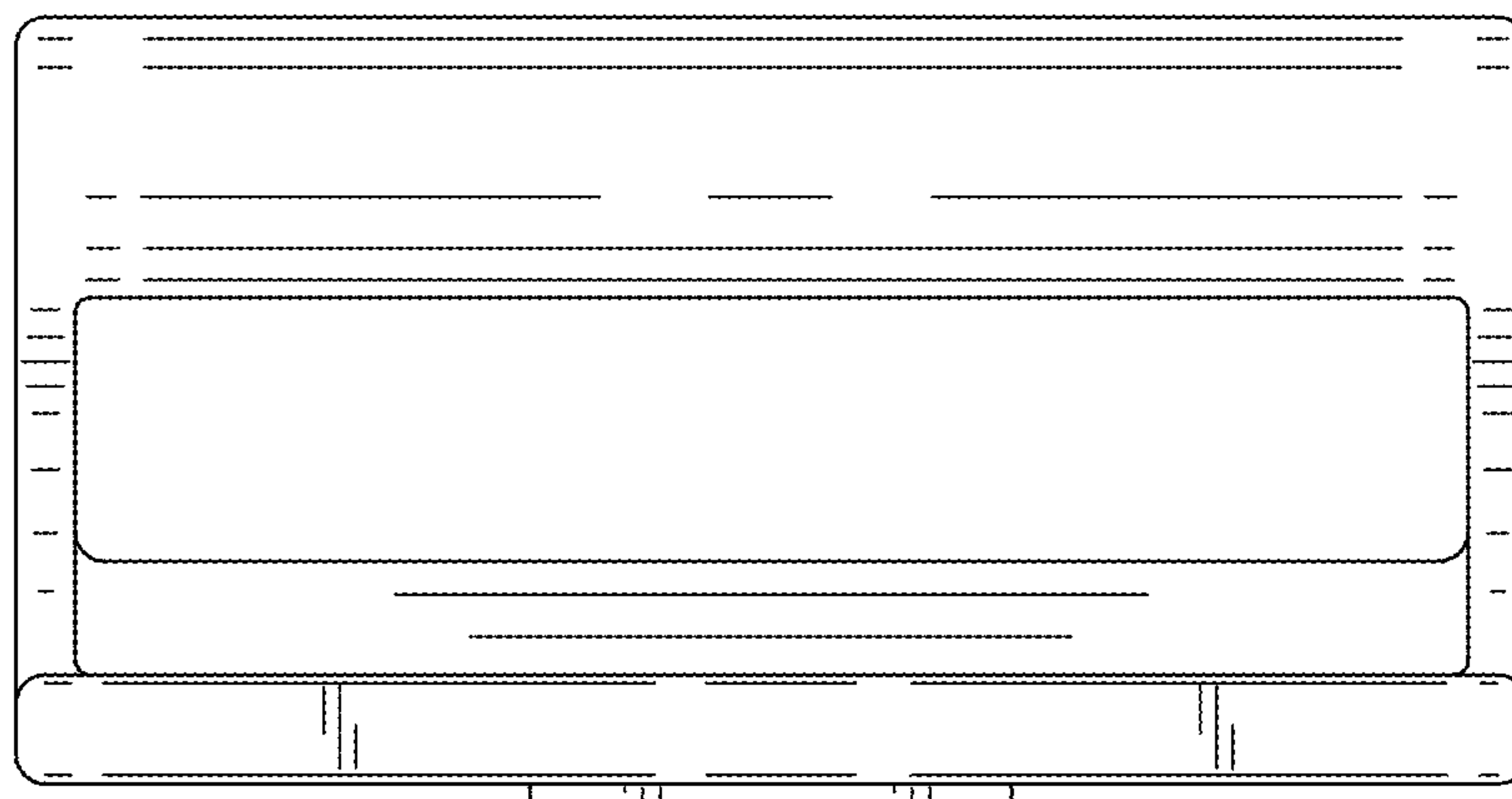


FIG. 7

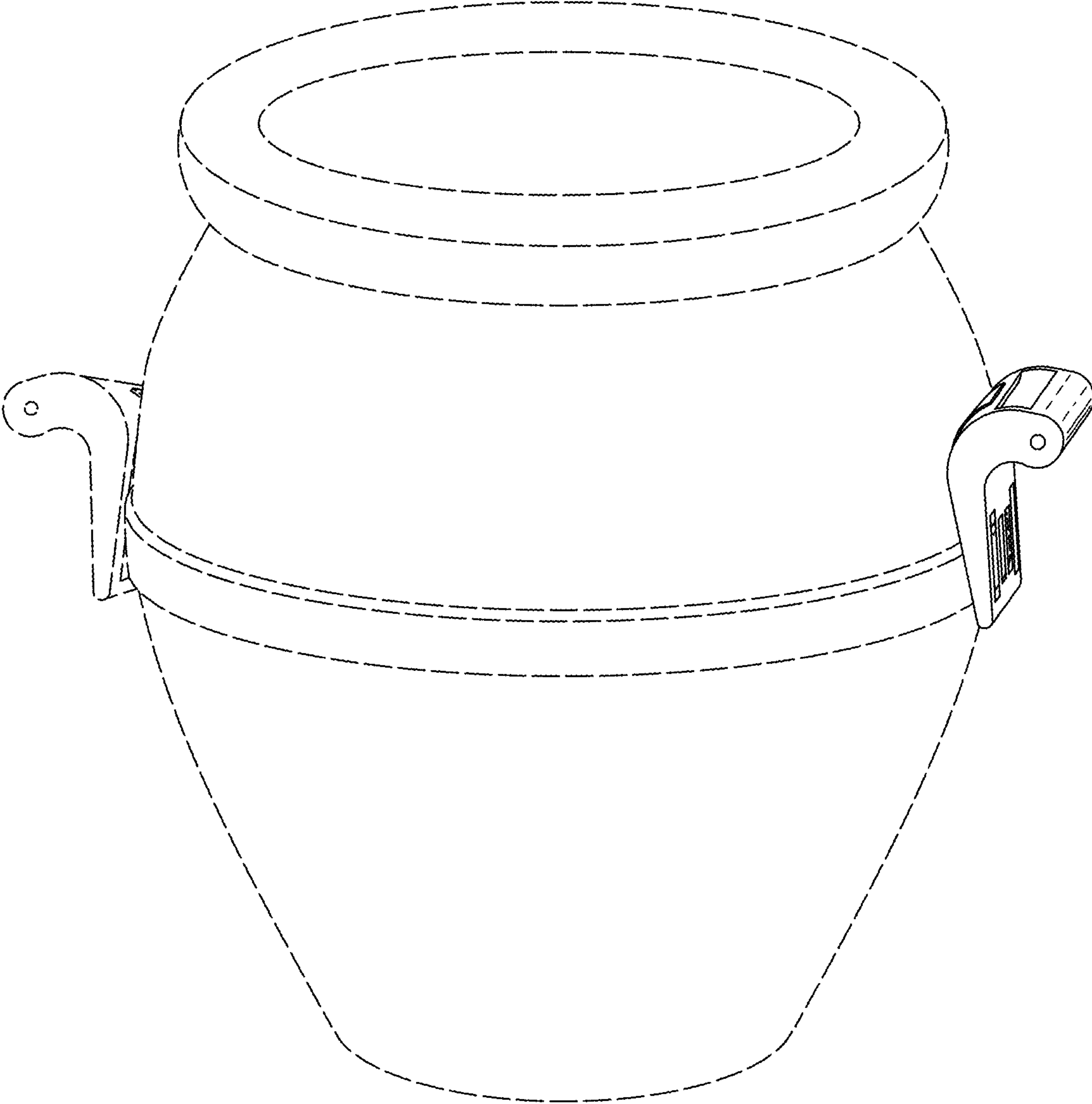


FIG. 8