



US00D781132S

(12) **United States Design Patent**
Nguyen et al.

(10) **Patent No.:** **US D781,132 S**
(45) **Date of Patent:** **** Mar. 14, 2017**

(54) **SMART PADLOCK**

(56) **References Cited**

(71) Applicant: **Rynan Technologies Pte Ltd.**,
Singapore (SG)
(72) Inventors: **My T. Nguyen**, Tra Vinh (VN); **Cuong Quoc Hong**, Tra Vinh (VN); **Luong Van Truong**, Chau Tranh District (VN); **Hien Huu Nguyen**, Hau Giang Province (VN); **Brian D. Nguyen**, Singapore (SG); **Christina M. Nguyen**, San Francisco, CA (US)

U.S. PATENT DOCUMENTS

3,823,584	A *	7/1974	Gill	E05B 67/22 70/21
4,325,240	A *	4/1982	Gable	E05B 37/0031 70/284
4,444,029	A *	4/1984	Remington	E05B 37/025 70/25
D309,054	S *	7/1990	Knox	D8/334
D372,187	S *	7/1996	Ling	D8/334
D461,699	S *	8/2002	Lavikainen	D8/334
6,539,761	B2 *	4/2003	Yang	E05B 37/0034 70/21
6,877,345	B1 *	4/2005	Misner	E05B 35/105 70/25
D543,832	S *	6/2007	Tsui	D8/334
D614,044	S *	4/2010	Mouquet	D8/334
D741,143	S *	10/2015	Grainger	D8/334
D746,660	S *	1/2016	Stevens	D8/334
D752,950	S *	4/2016	Dolce	D7/702

(73) Assignee: **RYNAN TECHNOLOGIES PTE LTD.**, Singapore (SG)

(**) Term: **15 Years**

(21) Appl. No.: **29/549,520**

(22) Filed: **Dec. 22, 2015**

(30) **Foreign Application Priority Data**

Jun. 25, 2015	(CA)	163049
Jun. 25, 2015	(CA)	163050
Jun. 25, 2015	(CA)	163051

(51) **LOC (10) Cl.** **08-07**

(52) **U.S. Cl.**
USPC **D8/334**

(58) **Field of Classification Search**
USPC D8/300-302, 350, 330, 331, 343, 346, D8/334; 70/14, 158, 160, 452, 448, 466; 292/348, 350, 357; D11/117, 130, 34; D9/702, 720; 190/100, 101, 900
CPC E05B 1/0007; E05B 9/00; E05B 17/00; A45C 5/00; A45C 13/00; A45C 13/002
See application file for complete search history.

* cited by examiner

Primary Examiner — Prabhakar Deshmukh
(74) *Attorney, Agent, or Firm* — Altera Law Group, LLC

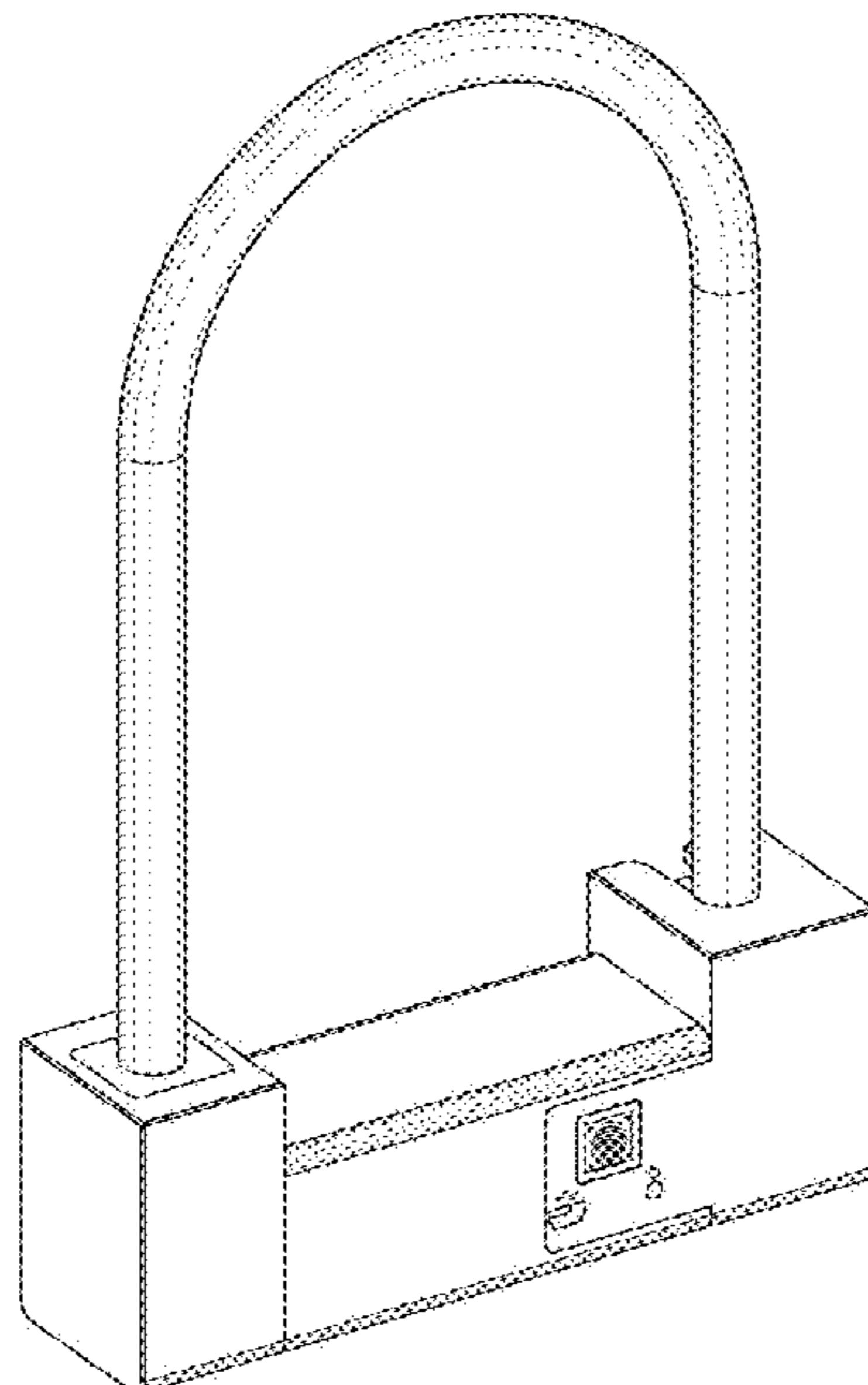
(57) **CLAIM**

The ornamental design for a smart padlock, as shown and described.

DESCRIPTION

FIG. 1 is a perspective view of a smart padlock, showing our new design,
FIG. 2 is a top plan view thereof;
FIG. 3 is a bottom plan view thereof;
FIG. 4 is a right side view thereof;
FIG. 5 is a left side view thereof;
FIG. 6 is a front view thereof; and,
FIG. 7 is a rear elevation view thereof.

1 Claim, 6 Drawing Sheets



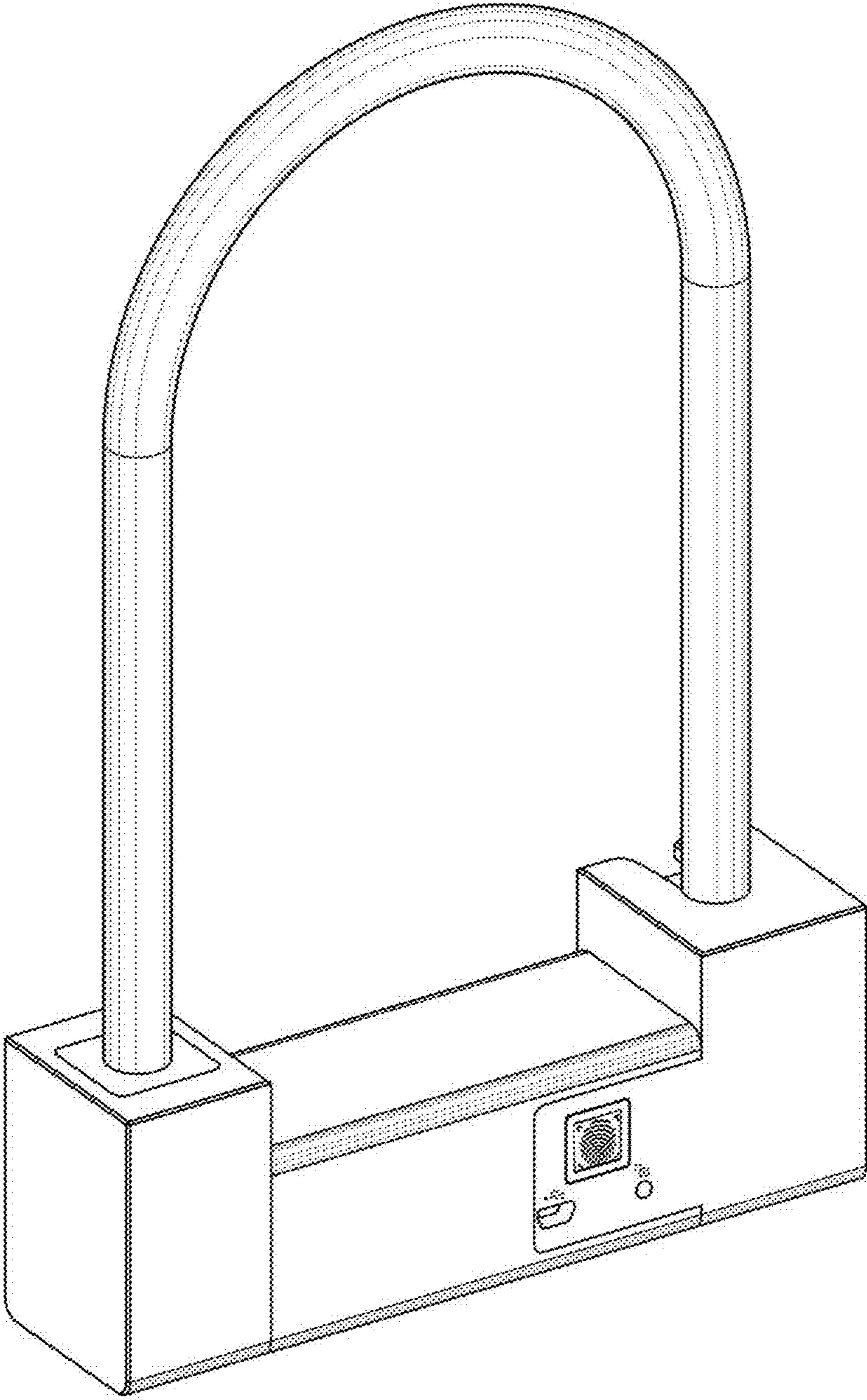


FIG. 1

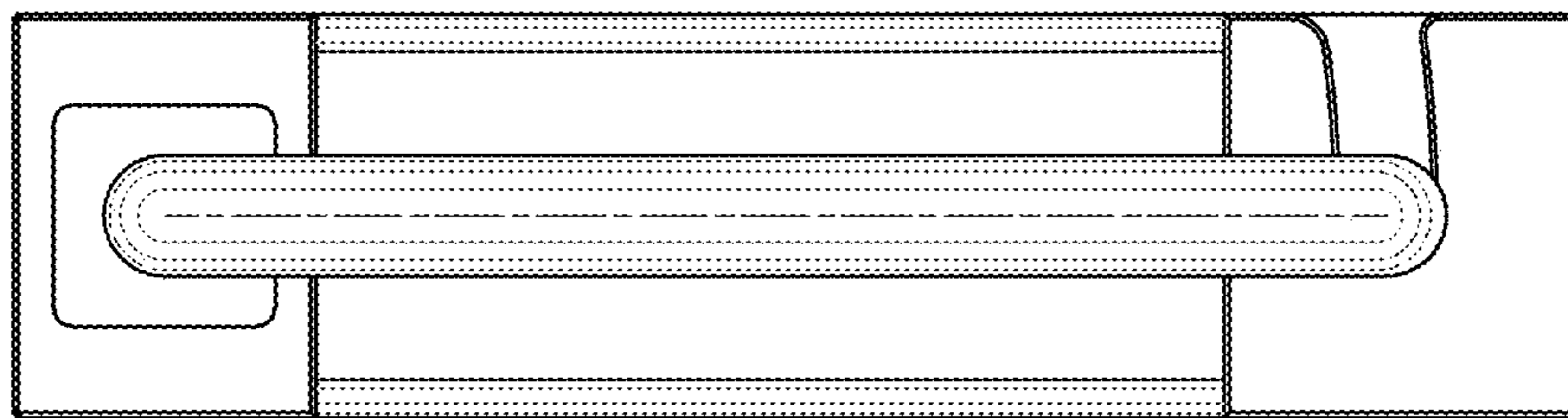


FIG. 2

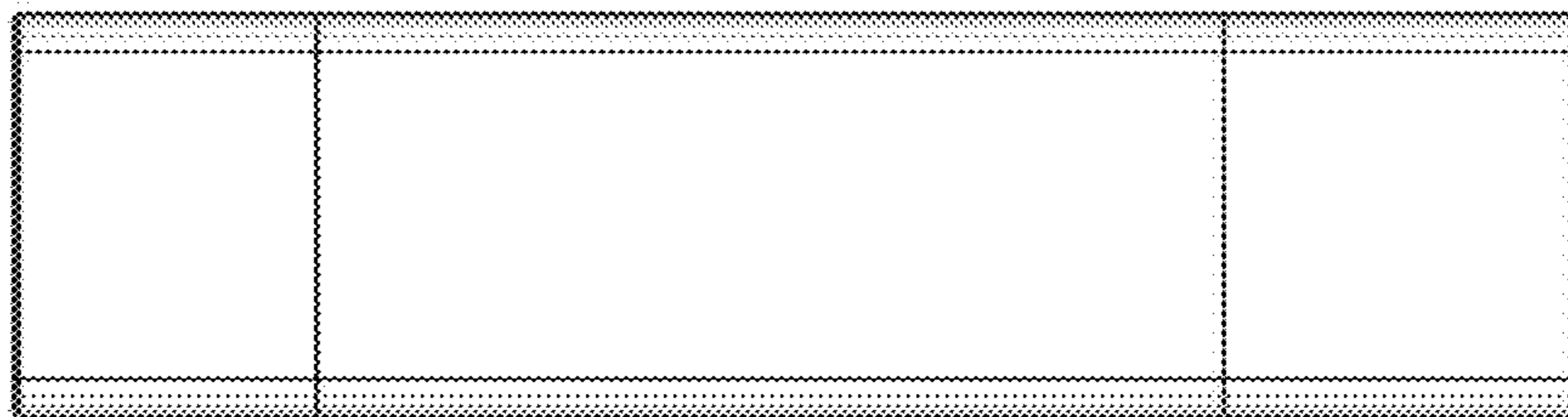


FIG. 3

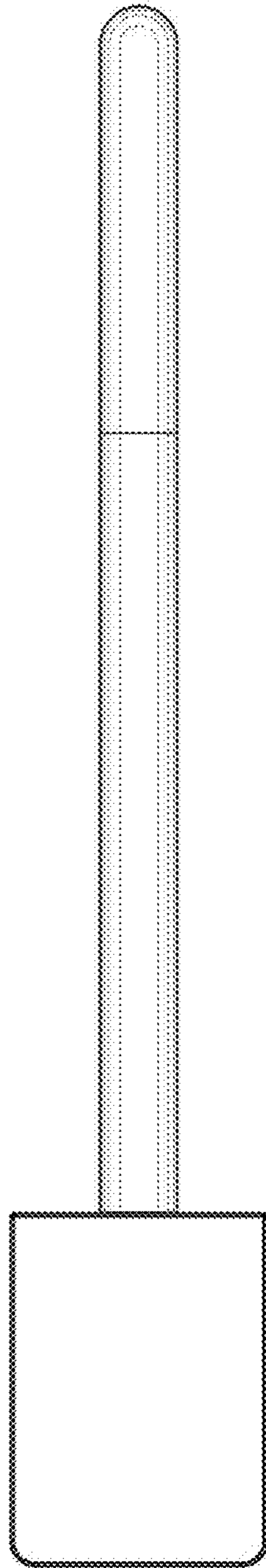


FIG. 4

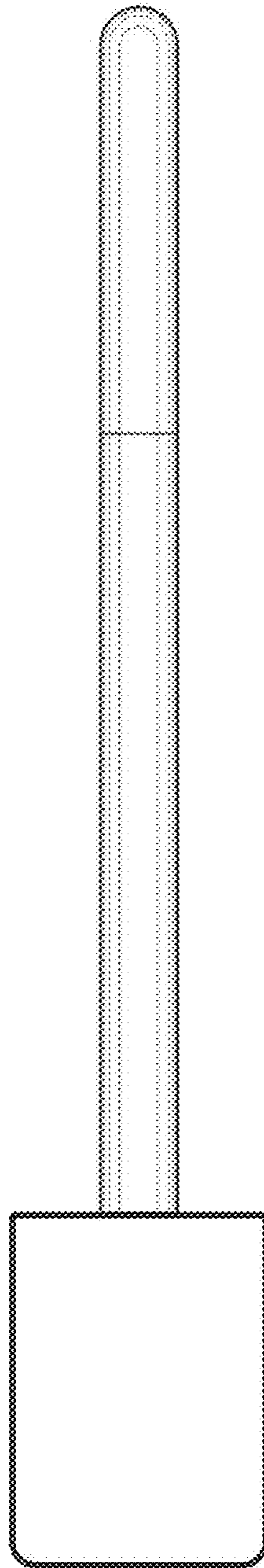


FIG. 5

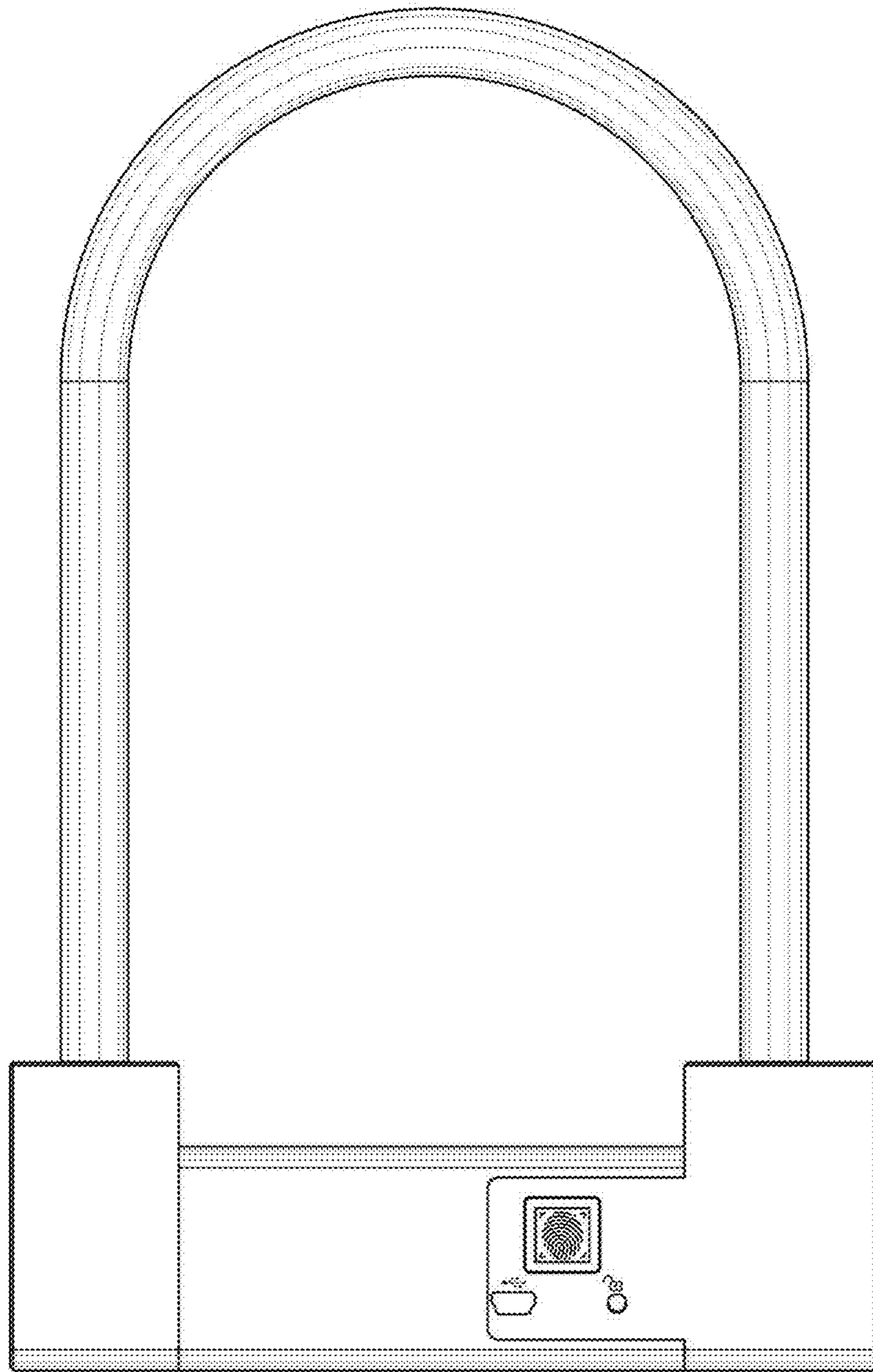


FIG. 6

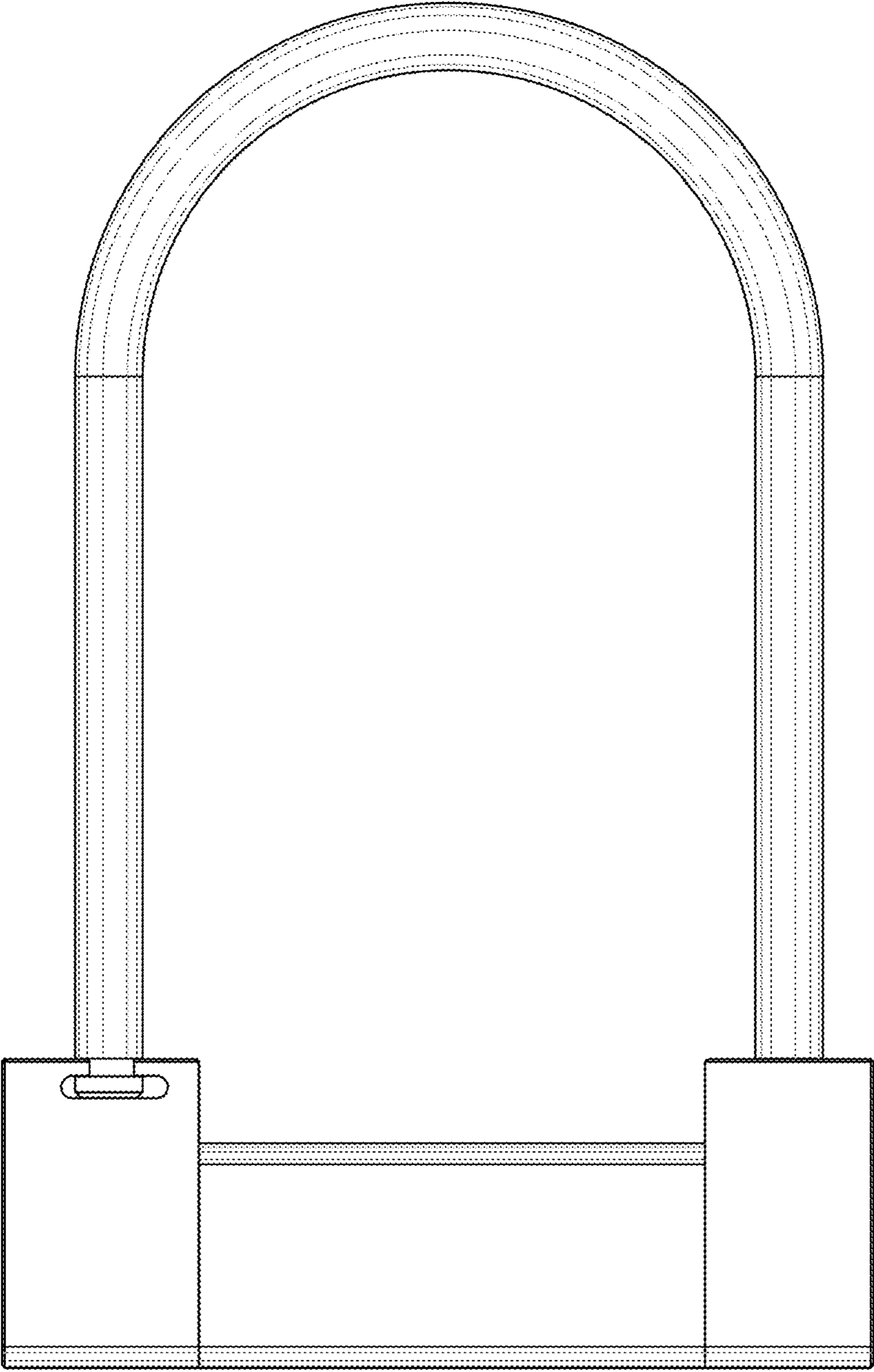


FIG. 7