



US00D781130S

(12) **United States Design Patent** (10) **Patent No.:** **US D781,130 S**
Shargh (45) **Date of Patent:** **** Mar. 14, 2017**

(54) **HOUSING FOR A DIGITAL DEADBOLT LOCK**

6,733,050 B1 5/2004 Yao
6,828,519 B2 12/2004 Bui et al.
D513,469 S * 1/2006 Gao D8/350
(Continued)

(71) Applicant: **HAMPTON PRODUCTS INTERNATIONAL CORPORATION**,
Foothill Ranch, CA (US)

OTHER PUBLICATIONS

(72) Inventor: **Hossein Molaie Shargh**, Rancho Santa Margarita, CA (US)

Notice of Allowance on co-pending US design application (U.S. Appl. No. 29/550,457) dated Nov. 22, 2016.
(Continued)

(73) Assignee: **HAMPTON PRODUCTS INTERNATIONAL CORPORATION**,
Foothill Ranch, CA (US)

Primary Examiner — Prabhakar Deshmukh
(74) *Attorney, Agent, or Firm* — Klein, O'Neill & Singh, LLP

(**) Term: **15 Years**

(57) **CLAIM**

The ornamental design for a housing for a digital deadbolt lock, as shown and described.

(21) Appl. No.: **29/559,069**

DESCRIPTION

(22) Filed: **Mar. 24, 2016**

(51) **LOC (10) Cl.** **08-07**

(52) **U.S. Cl.**
USPC **D8/331; D8/330**

(58) **Field of Classification Search**
USPC D8/330, 331, 334, 300, 301, 350; 70/14,
70/20-22, 57, 57.1, 284-286, 314,
70/DIG. 44, 266, 277, 271
CPC E05B 9/00; E05B 9/02; E05B 2009/006;
E05B 49/00
See application file for complete search history.

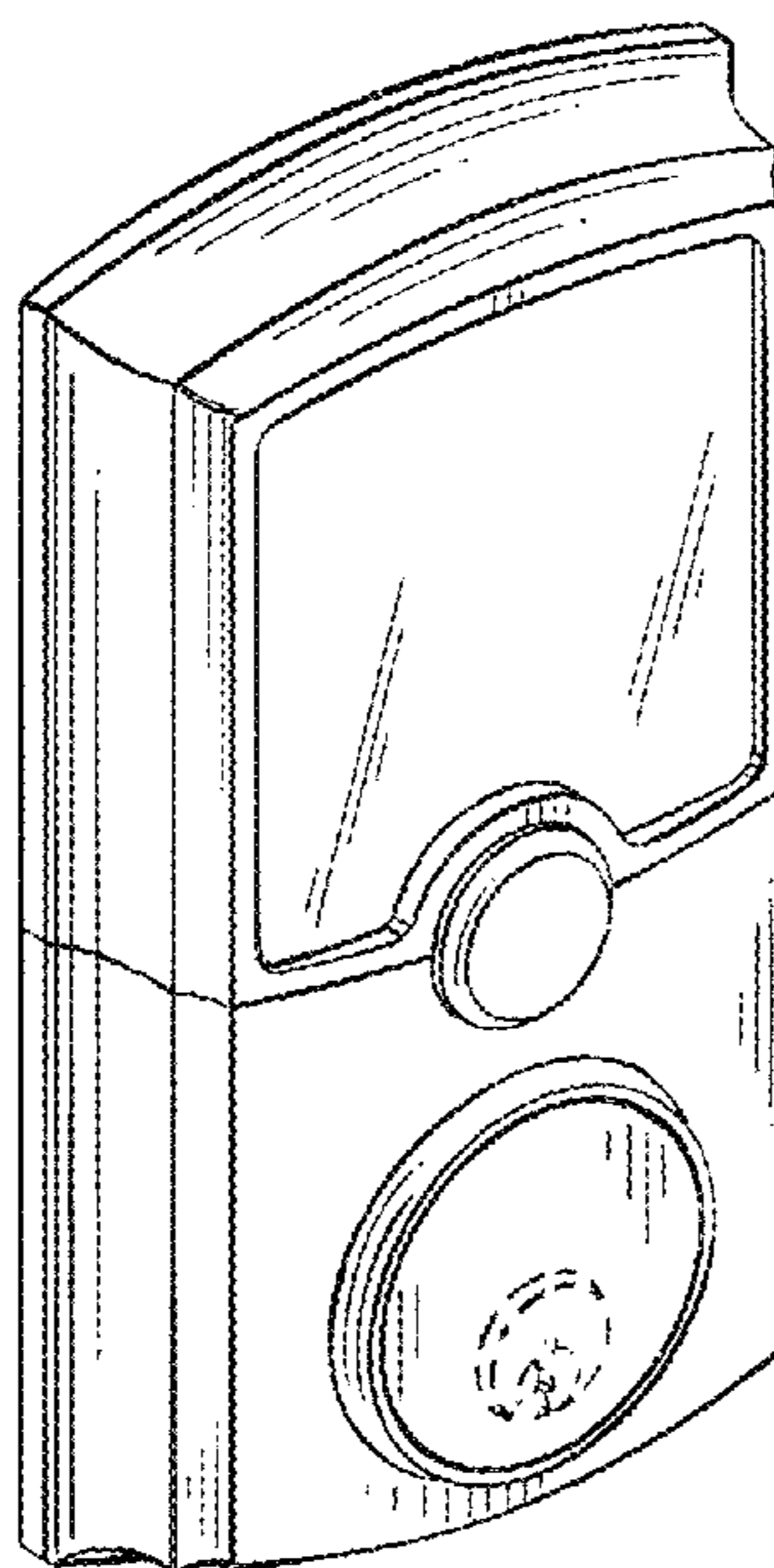
FIG. 1 is a front elevation view of a housing for a digital deadbolt lock, in accordance with my new design;
FIG. 2 is a side elevation view of the housing for a digital deadbolt lock shown in FIG. 1, taken from the left side of FIG. 1;
FIG. 3 is a side elevational view of the housing for a digital deadbolt lock shown in FIG. 1, taken from the right side of FIG. 1;
FIG. 4 is a rear elevational view of the housing for a digital deadbolt lock shown in FIG. 1;
FIG. 5 is a top plan view of the housing for a digital deadbolt lock shown in FIG. 1;
FIG. 6 is a bottom plan view of the housing for a digital deadbolt lock of FIG. 1; and,
FIG. 7 is a perspective view of the housing for a digital deadbolt lock shown in FIG. 1, taken from the front, top, and left side of FIG. 1.
The broken lines illustrate environmental structure which forms no part of the claimed design.

(56) **References Cited**

U.S. PATENT DOCUMENTS

3,041,720 A 7/1962 Pantas
5,433,333 A 7/1995 Martell
D365,976 S * 1/1996 Chiu D8/301
6,145,353 A 11/2000 Doucet
D471,786 S 3/2003 Ellis et al.

1 Claim, 2 Drawing Sheets



(56)

References Cited

U.S. PATENT DOCUMENTS

7,091,429 B2 * 8/2006 Case E05B 15/02
200/314
D581,246 S 11/2008 Conway
D588,439 S * 3/2009 Lin D8/330
7,984,631 B2 7/2011 Case et al.
8,141,400 B2 3/2012 Sorensen et al.
8,347,673 B2 * 1/2013 Wang E05B 37/16
70/214
D682,656 S * 5/2013 Cramer D8/331
D682,658 S 5/2013 Cramer et al.
D686,056 S * 7/2013 Li D8/331
D733,522 S * 7/2015 Kim D8/331
D737,661 S 9/2015 Chan
9,347,241 B1 * 5/2016 Peng E05B 37/16
D761,082 S * 7/2016 Lu D8/331
D766,067 S * 9/2016 Hyde D8/330
D768,463 S * 10/2016 Kraus D8/330

OTHER PUBLICATIONS

Notice of Allowance on co-pending US design application (U.S.
Appl. No. 29/559,065) dated Jan. 19, 2017.

* cited by examiner

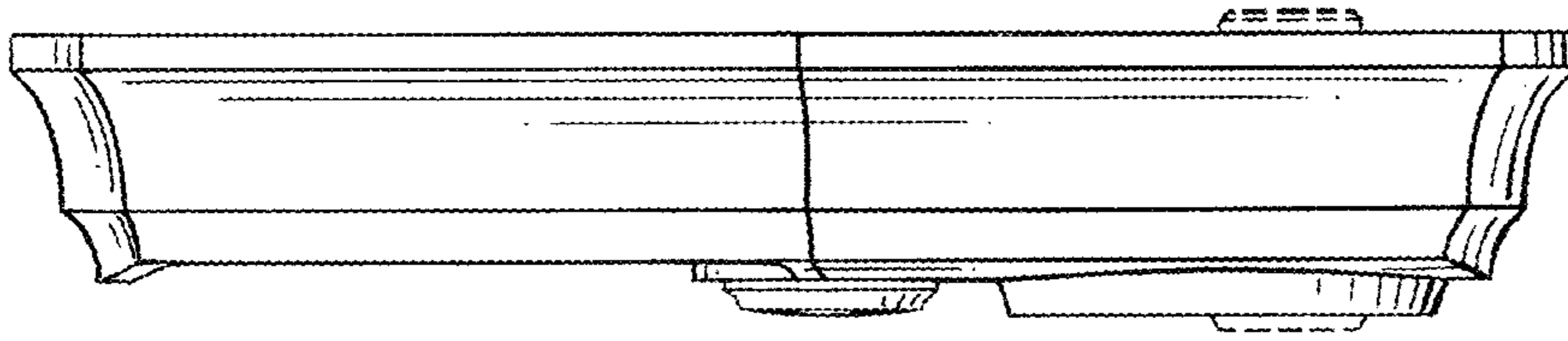


FIG. 3

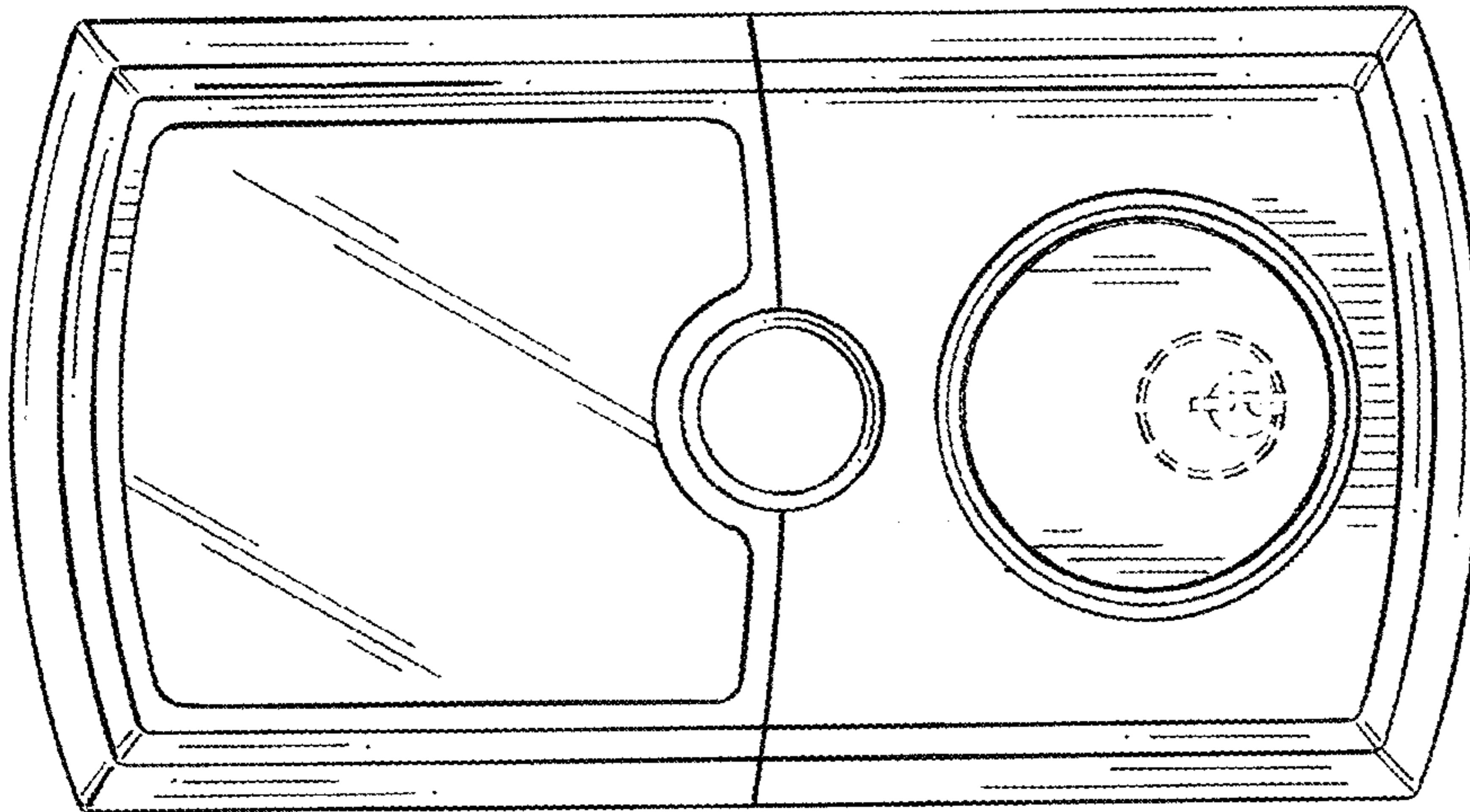


FIG. 1

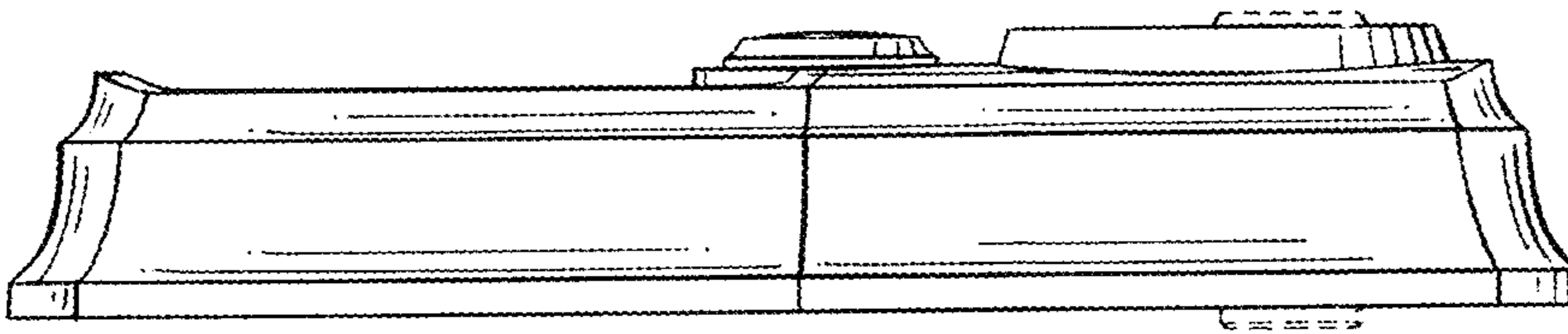


FIG. 2

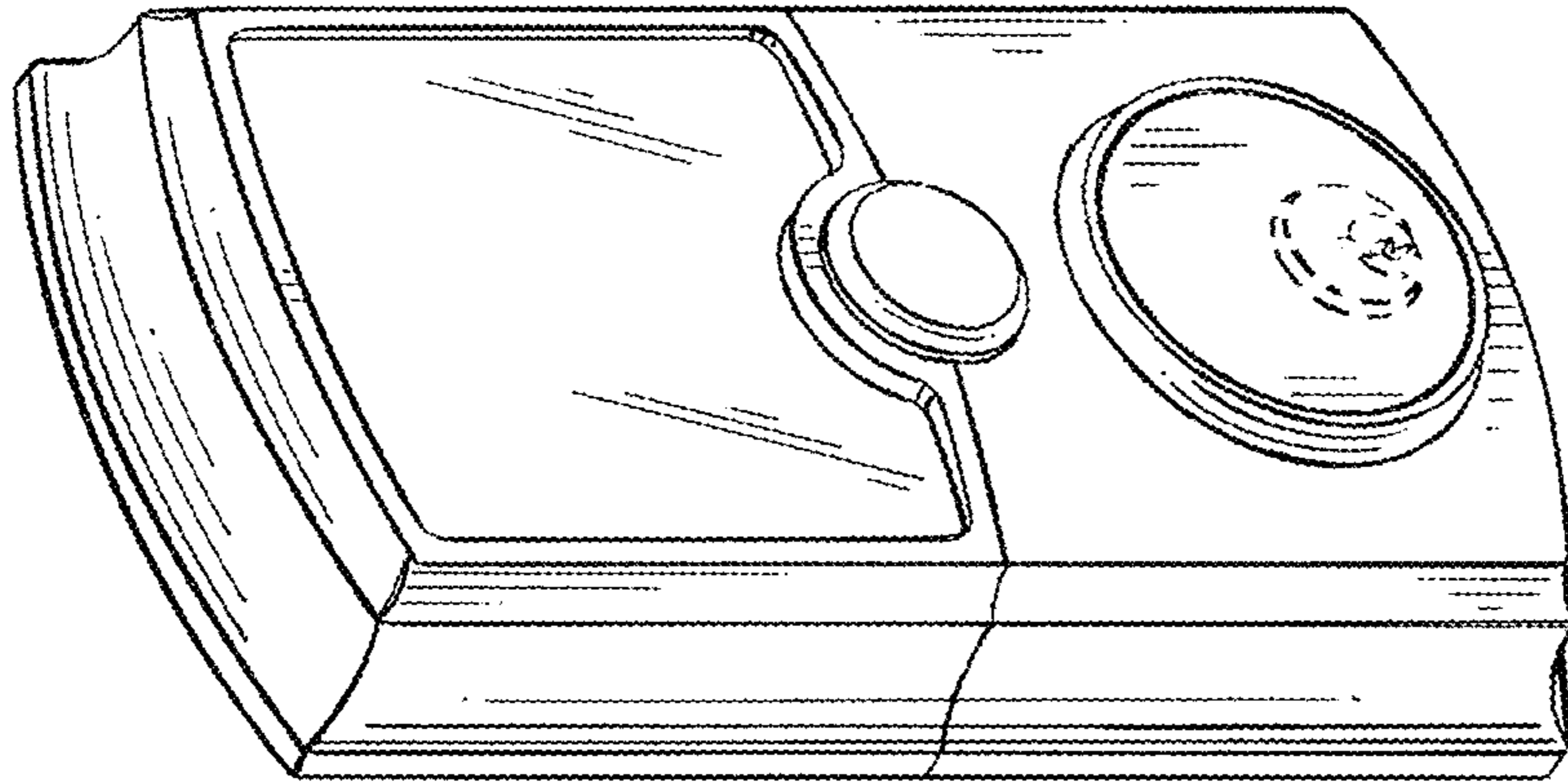


FIG. 7

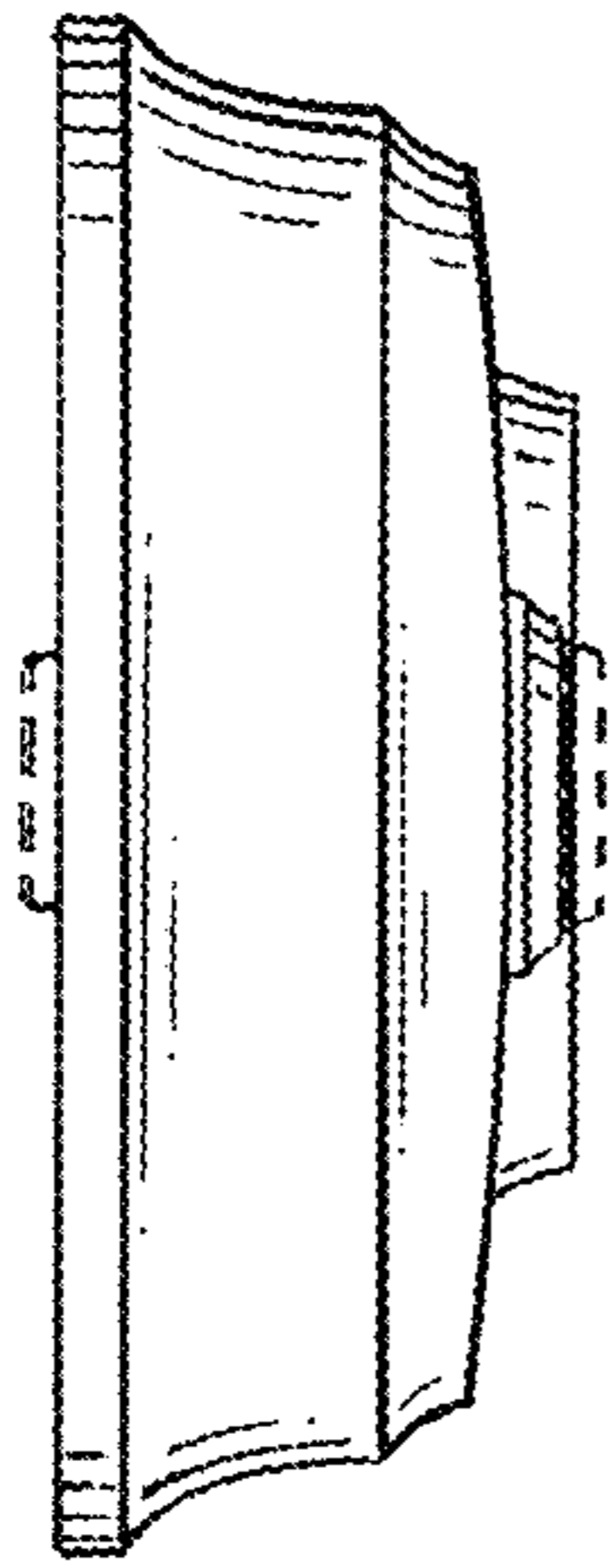


FIG. 5

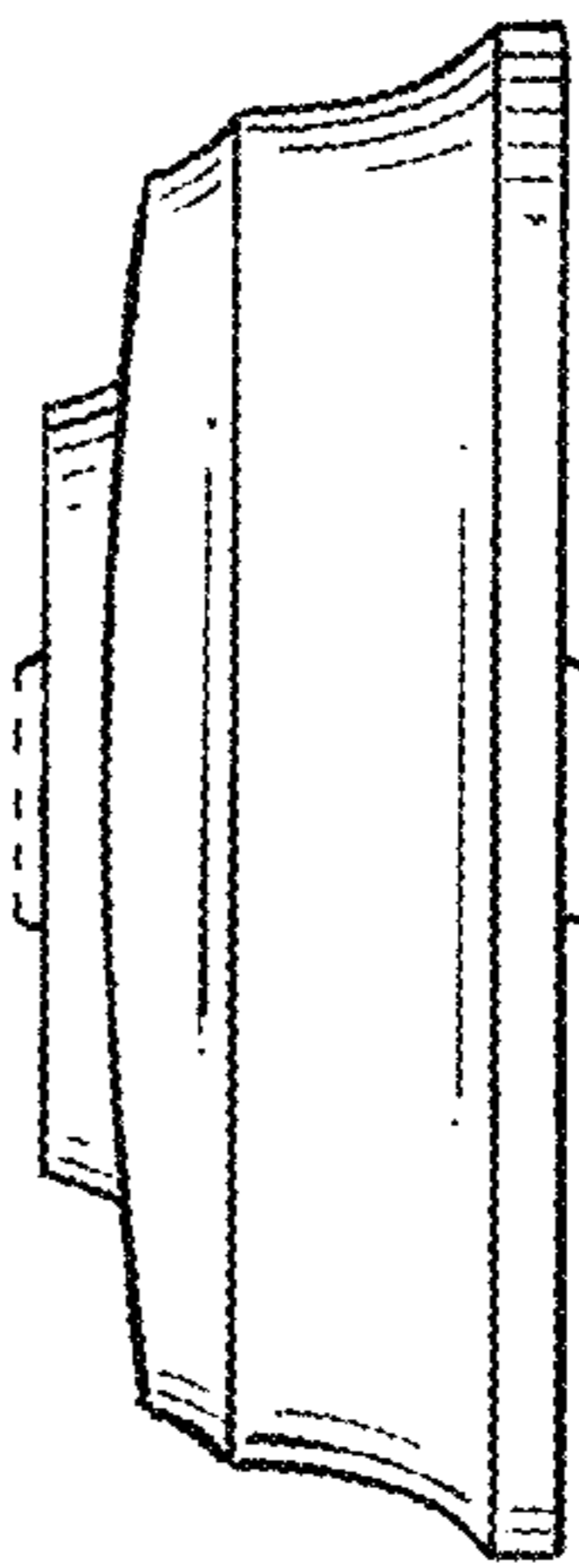


FIG. 6

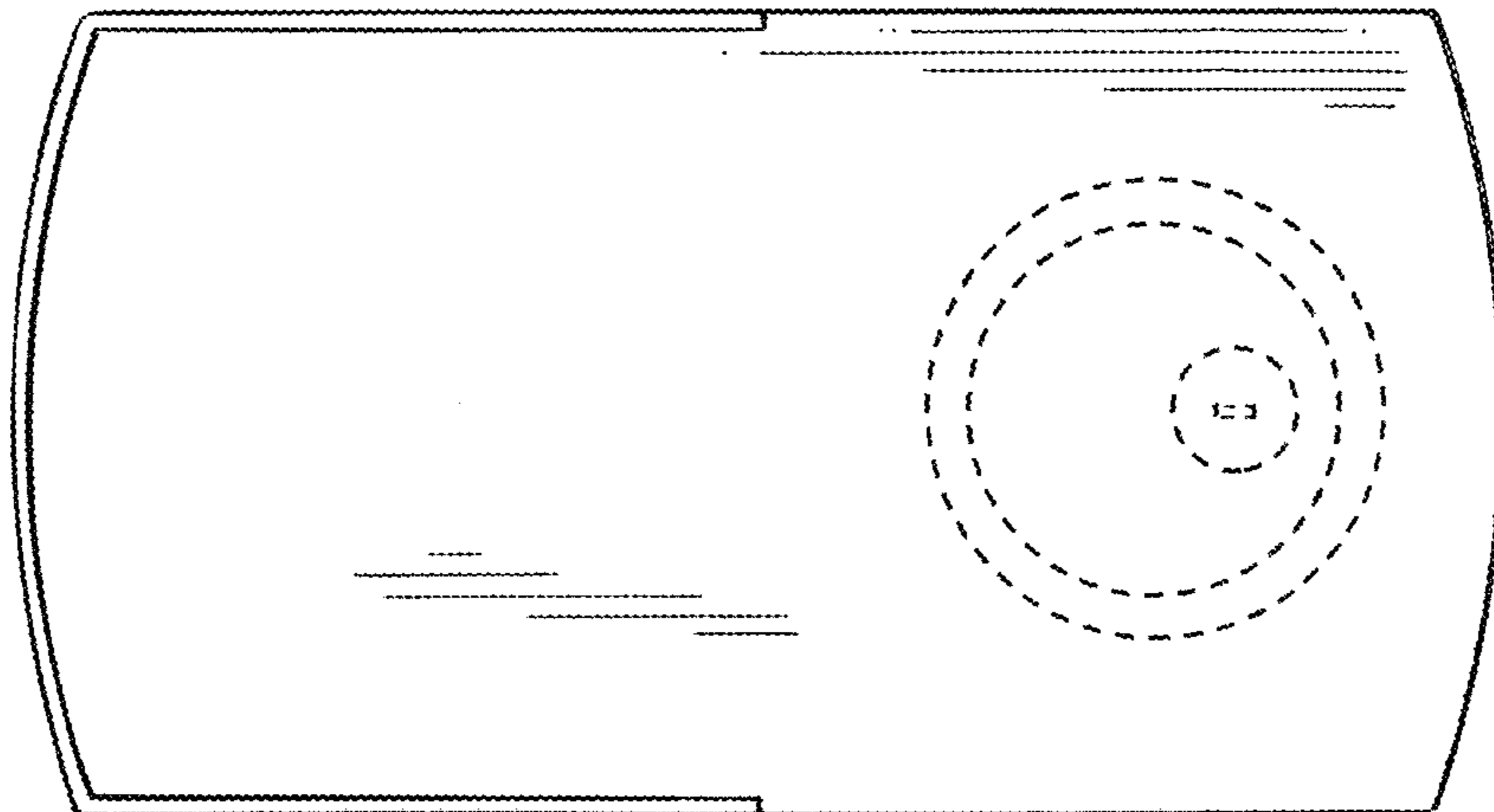


FIG. 4