



US00D781129S

(12) **United States Design Patent**
Pittman

(10) **Patent No.:** **US D781,129 S**
(45) **Date of Patent:** **** Mar. 14, 2017**

(54) **SLING LATCH**
(71) Applicant: **Impact Weapons Components, LLC**,
Timnath, CO (US)
(72) Inventor: **Earl L. Pittman**, Fort Collins, CO (US)
(73) Assignee: **Impact Weapons Components, LLC**,
Timnath, CO (US)
(**) Term: **15 Years**

5,803,515 A * 9/1998 Arabia, Jr. E05B 85/243
292/201
5,921,595 A * 7/1999 Brackmann E05B 83/36
292/201
6,102,242 A 8/2000 Jansen
6,279,972 B1 8/2001 Brill et al.
6,601,883 B1 8/2003 Kalsi
D494,840 S * 8/2004 Senn D8/343
6,848,728 B2 * 2/2005 Rotondi E05B 41/00
292/336
D562,670 S 2/2008 Rogers et al.
(Continued)

(21) Appl. No.: **29/526,995**

(22) Filed: **May 14, 2015**

Related U.S. Application Data

(62) Division of application No. 29/475,404, filed on Dec. 3, 2013, now Pat. No. Des. 732,370.

(51) **LOC (10) Cl.** **08-07**

(52) **U.S. Cl.**
USPC **D8/331; D8/343**

(58) **Field of Classification Search**
USPC D8/330, 331, 333, 336, 343, 346, 349,
D8/302; 70/14, 20, 2, 51-56, 57, 57.1,
70/141, 142, 224, 237, 266, 431, DIG. 9,
70/DIG. 4, DIG. 26, DIG. 80, 159, 162,
70/116, 208, 209, 221; 292/2, 32, 281,
292/288, 289, 358, 359, DIG. 5, 48, 198,
292/240, 217, 210, 216, DIG. 22,
292/DIG. 37, DIG. 43, 61
CPC ... E05C 1/00; E05C 1/002; E05C 1/08; E05C
3/00; E05C 3/002; E05C 19/08
See application file for complete search history.

(56) **References Cited**

U.S. PATENT DOCUMENTS

5,613,716 A * 3/1997 Cafferty E05B 81/14
292/201
5,685,579 A * 11/1997 Funk E05B 77/265
292/216

OTHER PUBLICATIONS

Requirement for Restriction/Election for Design U.S. Appl. No. 29/475,404 mailed Dec. 10, 2014.

Primary Examiner — Prabhakar Deshmukh
(74) *Attorney, Agent, or Firm* — Cooley LLP

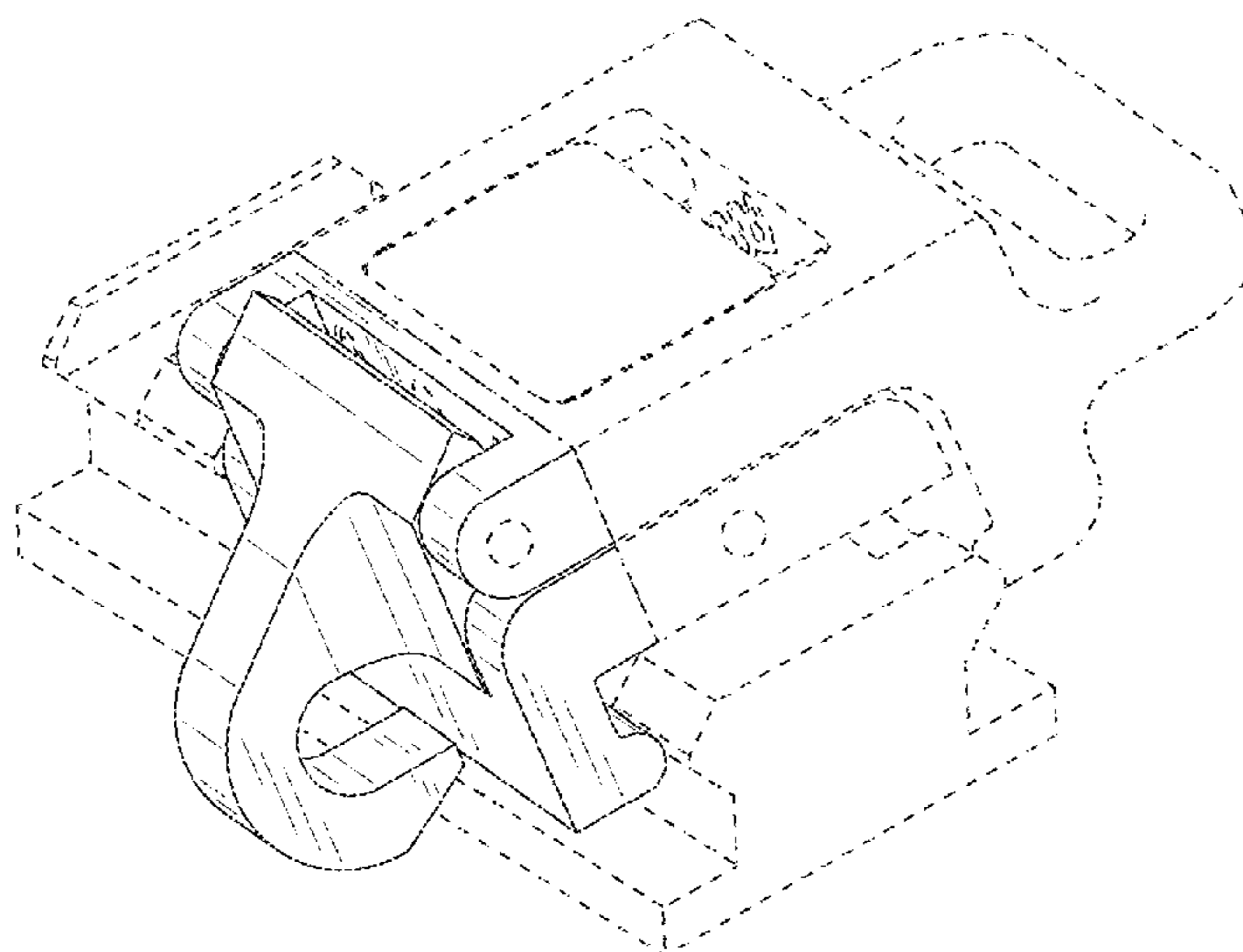
(57) **CLAIM**

The ornamental design for a sling latch, as shown and described.

DESCRIPTION

FIG. 1 is a perspective view of the sling latch;
FIG. 2 is a top view thereof;
FIG. 3 is a bottom view thereof;
FIG. 4 is a front view thereof;
FIG. 5 is a back view thereof;
FIG. 6 is a left side view thereof; and,
FIG. 7 is a right side view thereof.
The broken lines immediately adjacent the shaded areas represent the bounds of the claimed design while all other broken lines are directed to environment and are for illustrative purposes only; the broken lines form no part of the claimed design.

1 Claim, 7 Drawing Sheets



(56)

References Cited

U.S. PATENT DOCUMENTS

7,380,844 B2	6/2008	Berghahn et al.
7,506,907 B1	3/2009	Marler
D615,844 S	5/2010	Wiora
D665,244 S	8/2012	Weinerman et al.

* cited by examiner

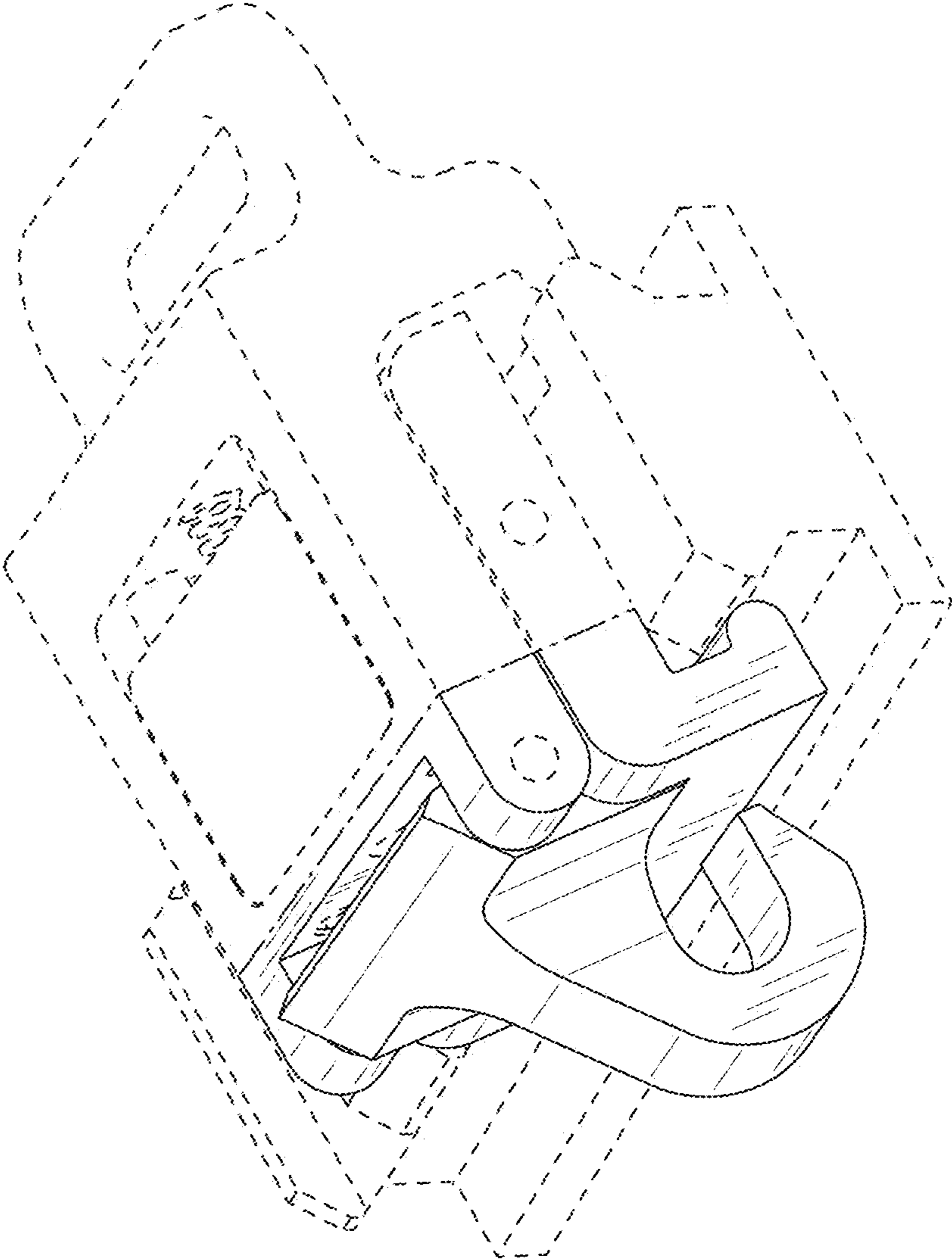


FIG. 1

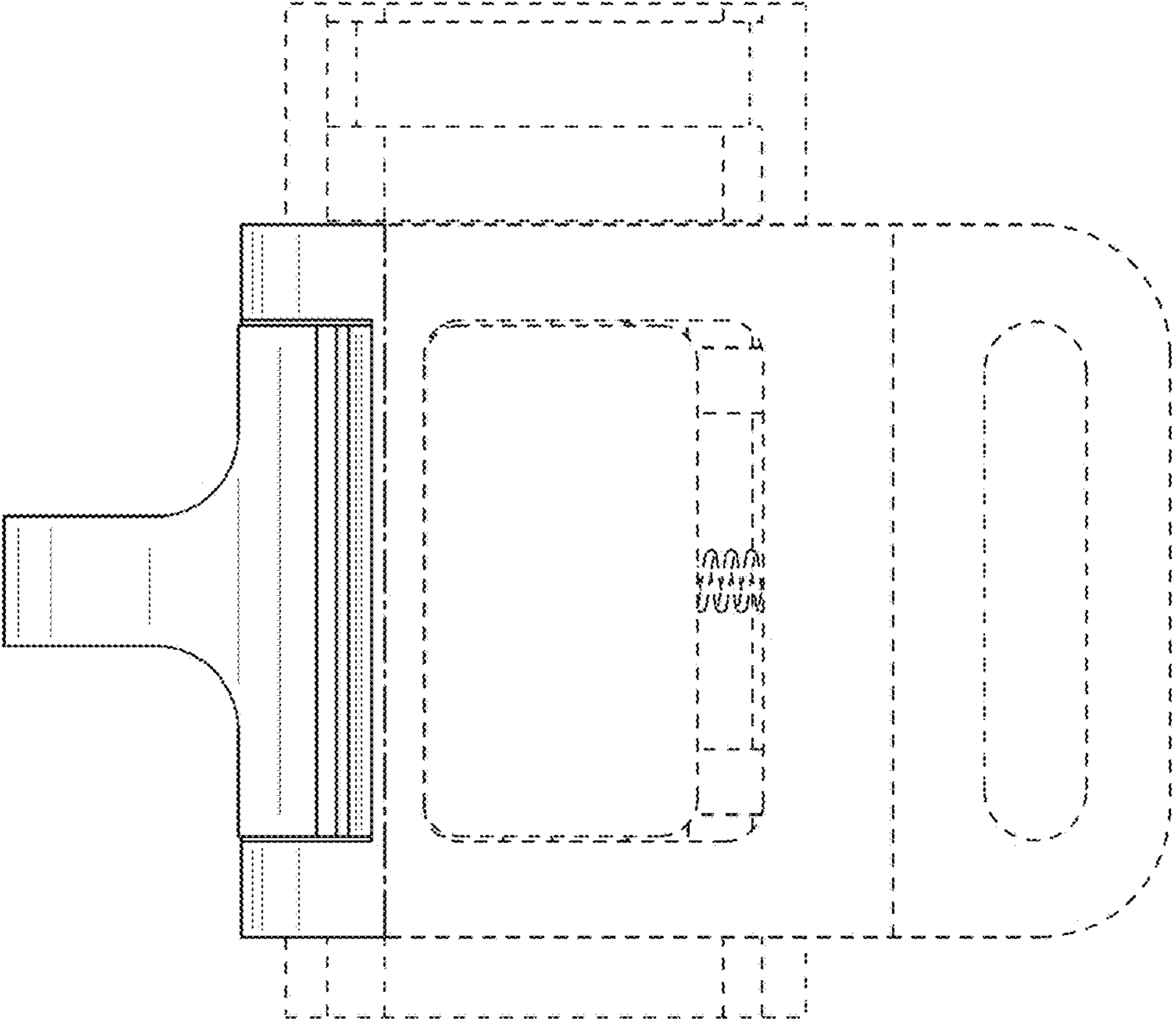


FIG. 2

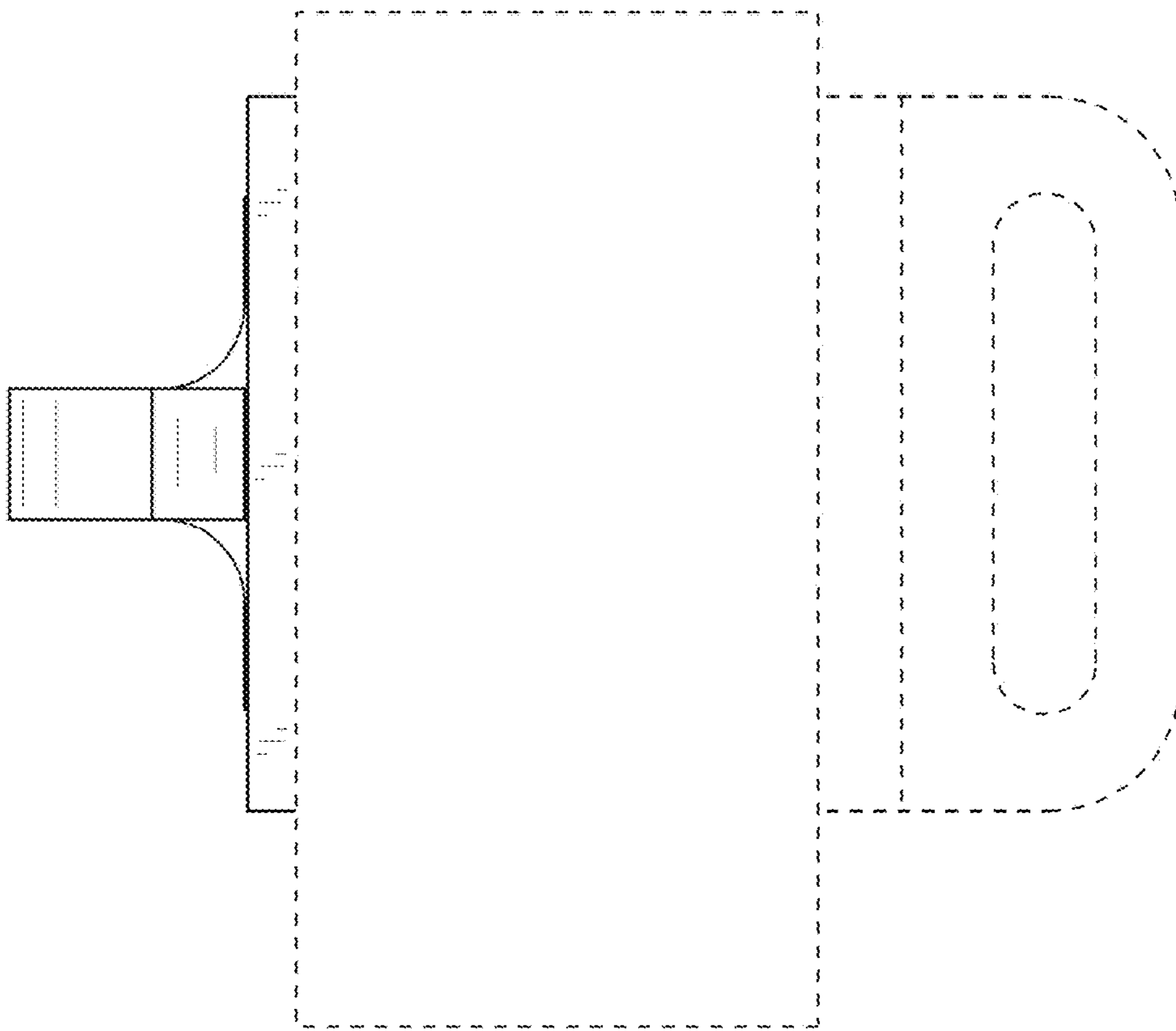


FIG. 3

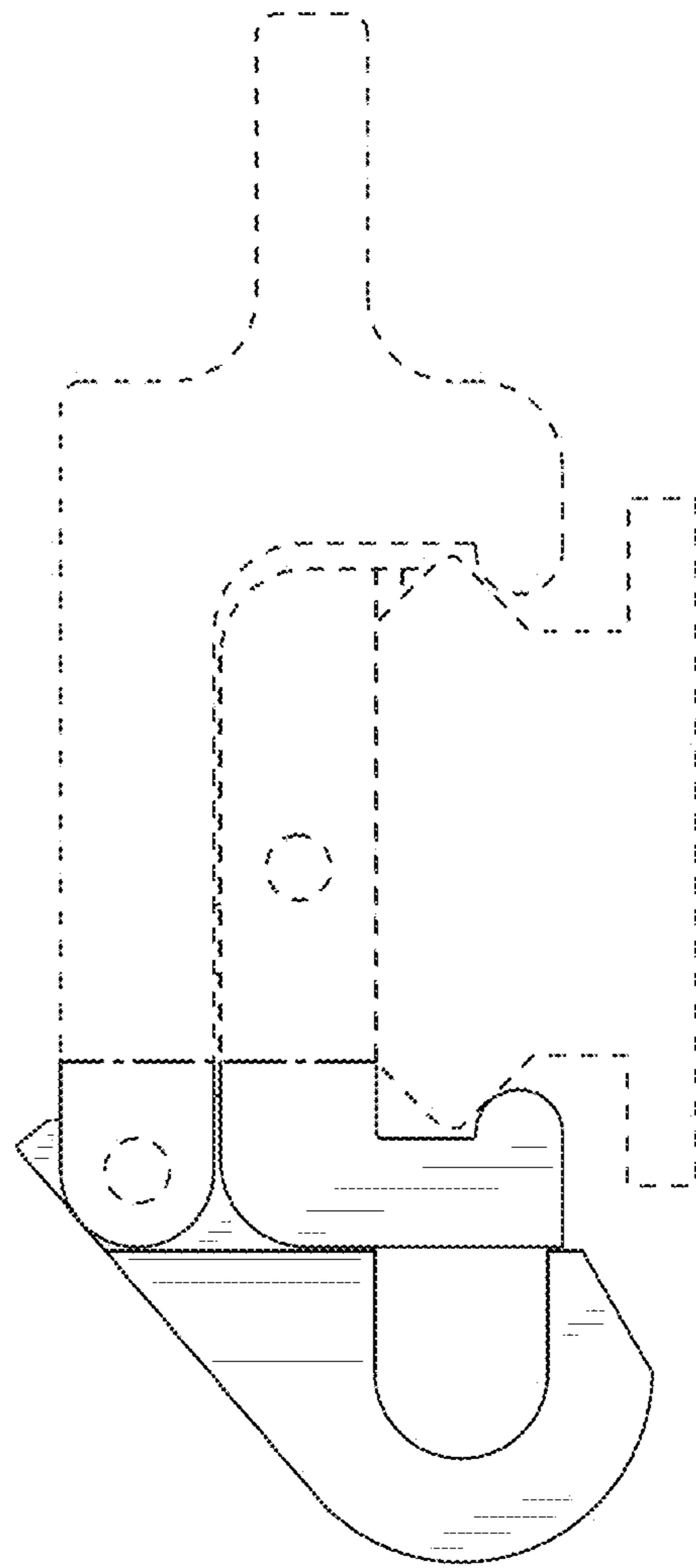


FIG. 4

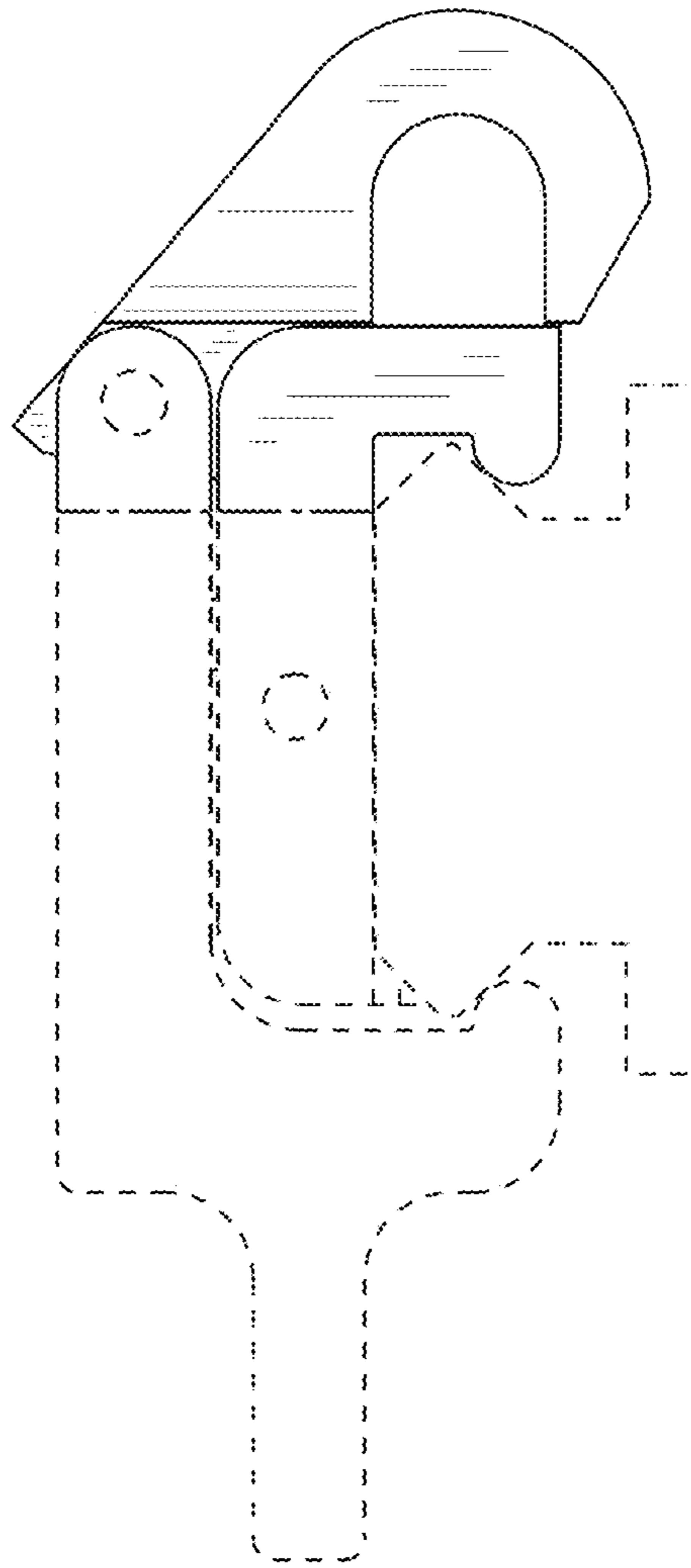


FIG. 5

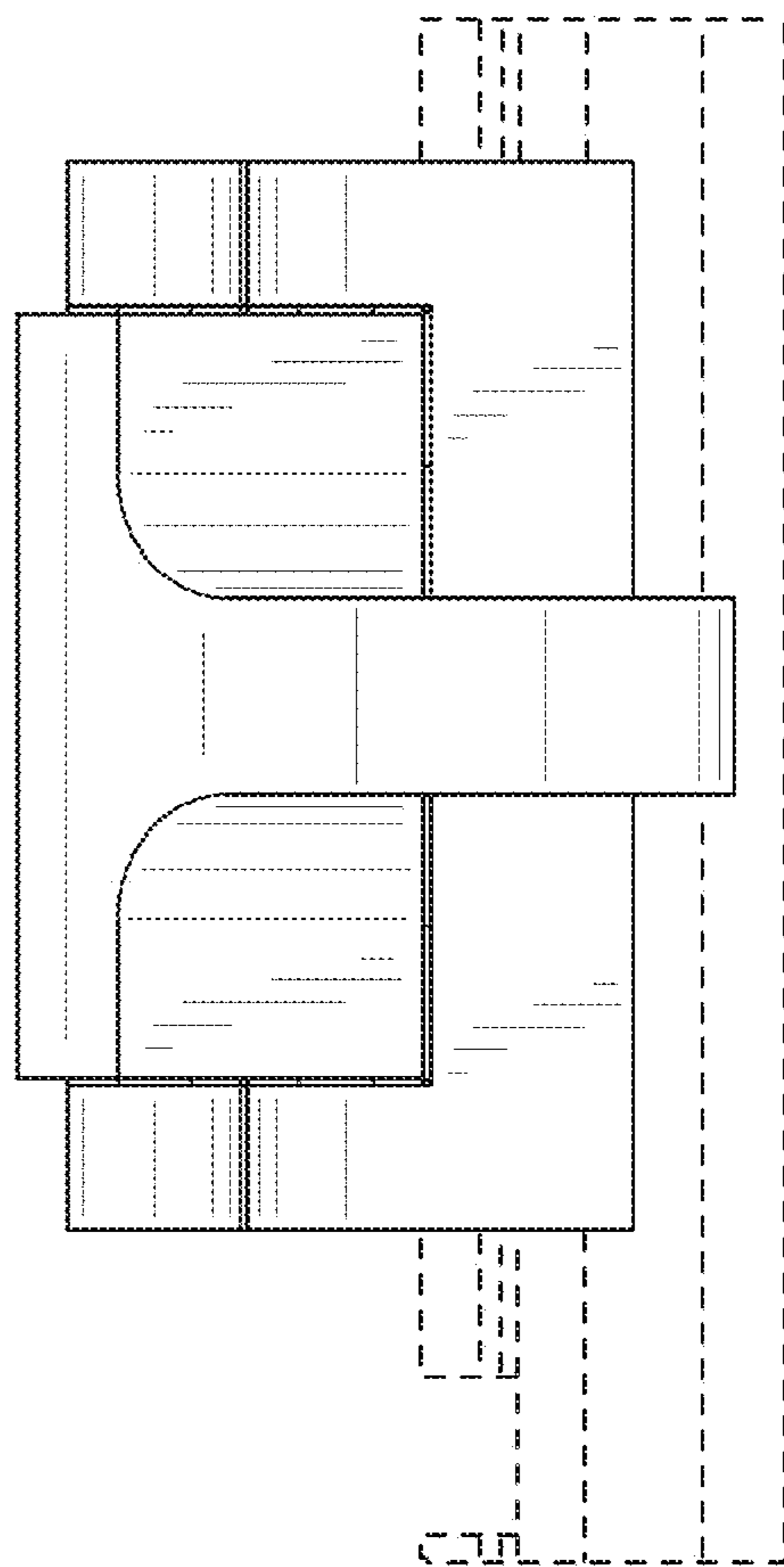


FIG. 6

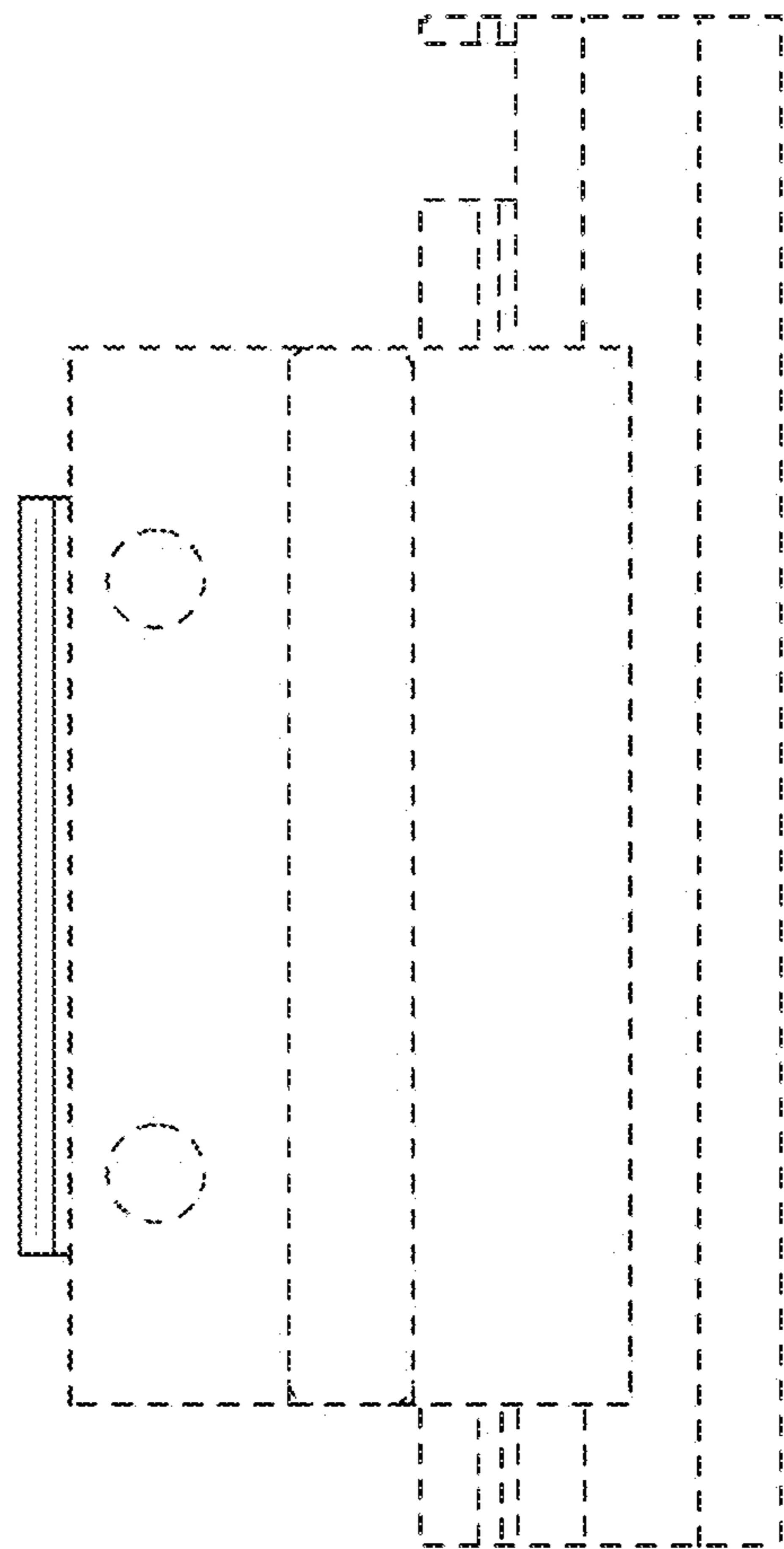


FIG. 7