



US00D781128S

(12) **United States Design Patent**
Hunsaker

(10) **Patent No.:** **US D781,128 S**

(45) **Date of Patent:** **** Mar. 14, 2017**

(54) **FLOATING HINGE**

(71) Applicant: **D. Mark Hunsaker**, Columbia, MO
(US)

(72) Inventor: **D. Mark Hunsaker**, Columbia, MO
(US)

(**) Term: **15 Years**

(21) Appl. No.: **29/535,821**

(22) Filed: **Aug. 11, 2015**

(51) **LOC (10) Cl.** **08-06**

(52) **U.S. Cl.**
USPC **D8/323**

(58) **Field of Classification Search**
USPC D8/323, 328; 16/387
CPC .. E05D 1/00; E05D 11/06; E05D 5/10; E05D
3/02; A47K 13/12
See application file for complete search history.

(56) **References Cited**

U.S. PATENT DOCUMENTS

D235,415 S *	6/1975	Martini	D8/323
D477,982 S *	8/2003	Domenig	D8/323
D683,609 S *	6/2013	Frank	D8/323
D761,078 S *	7/2016	Schweiss	D8/323
D761,634 S *	7/2016	Schweiss	D8/323
D765,488 S *	9/2016	Held	D8/323

* cited by examiner

Primary Examiner — Cynthia Underwood

(74) *Attorney, Agent, or Firm* — Charles McCloskey

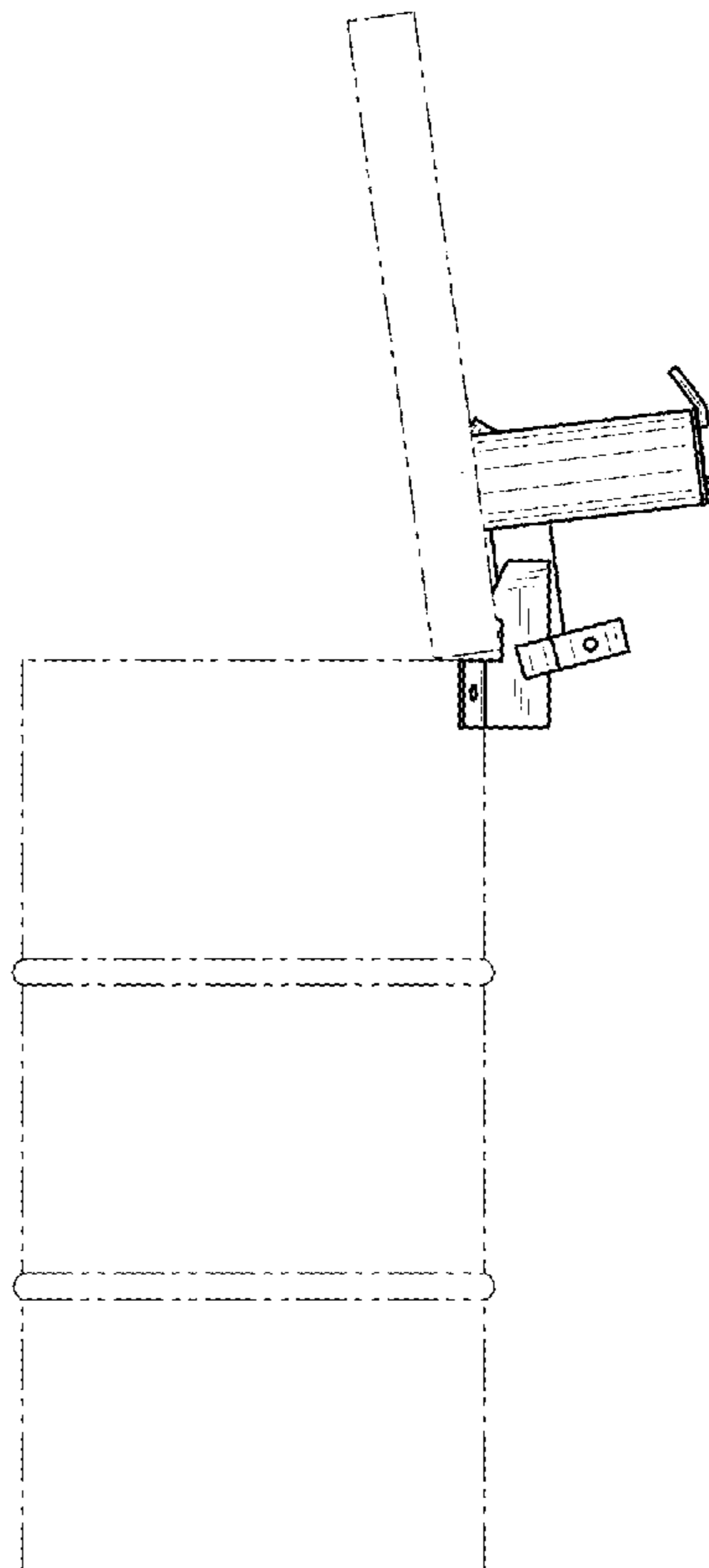
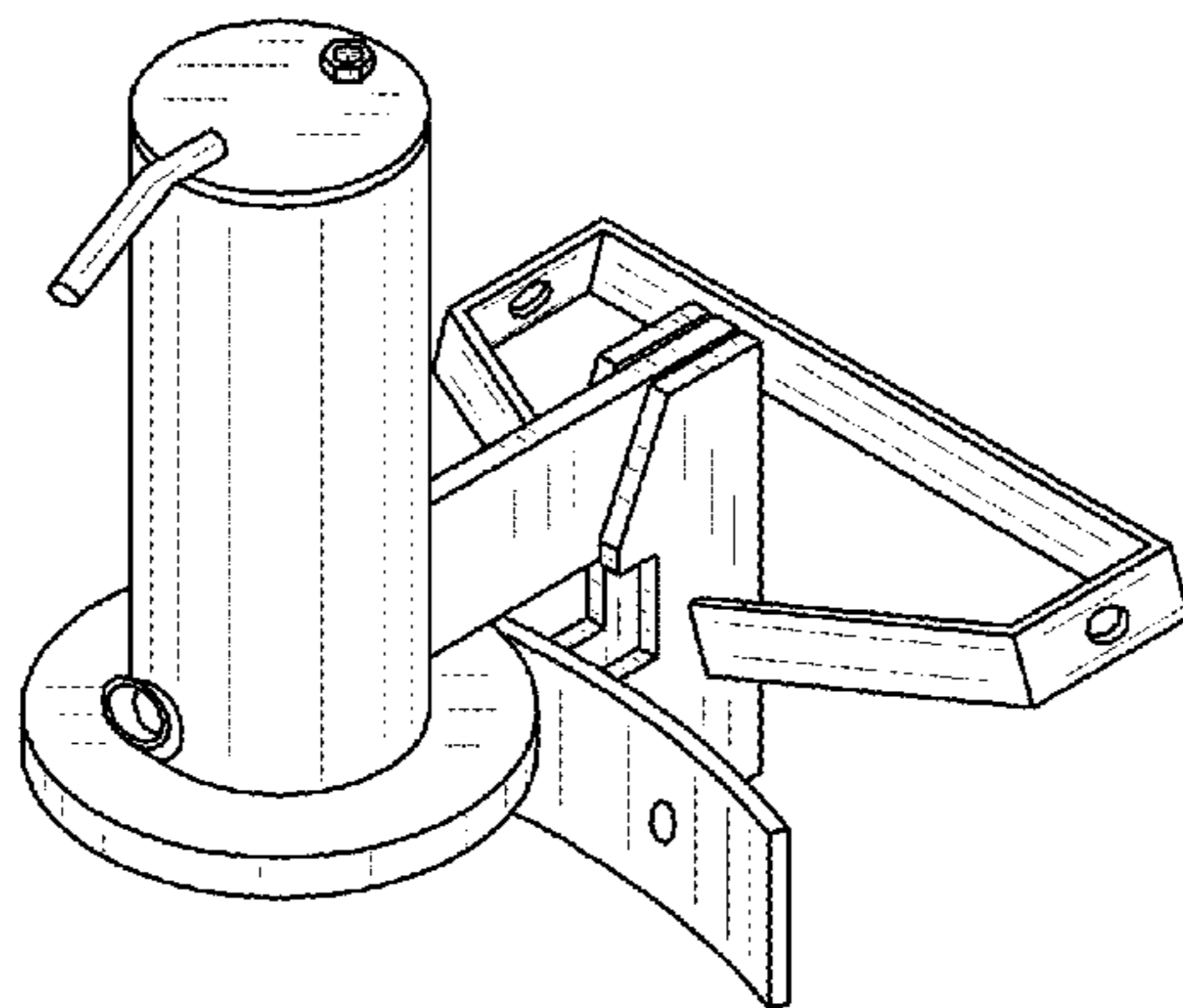
(57) **CLAIM**

The ornamental design for a floating hinge, as shown and described.

DESCRIPTION

FIG. 1 is a side view;
FIG. 2 is a front view;
FIG. 3 is a side view;
FIG. 4 is a back view;
FIG. 5 is a top view;
FIG. 6 is a bottom view;
FIG. 7 is an exploded view;
FIG. 8 is a perspective view;
FIG. 9 is a perspective view of the invention in use in a closed position and shown reduced in scale; and,
FIG. 10 is a perspective view of the invention in use in an opened position and shown reduced in scale.
The dot-dot-dot broken lines and the dot-dot-dash broken lines represent an environment of use and form no part of the claim.

1 Claim, 3 Drawing Sheets



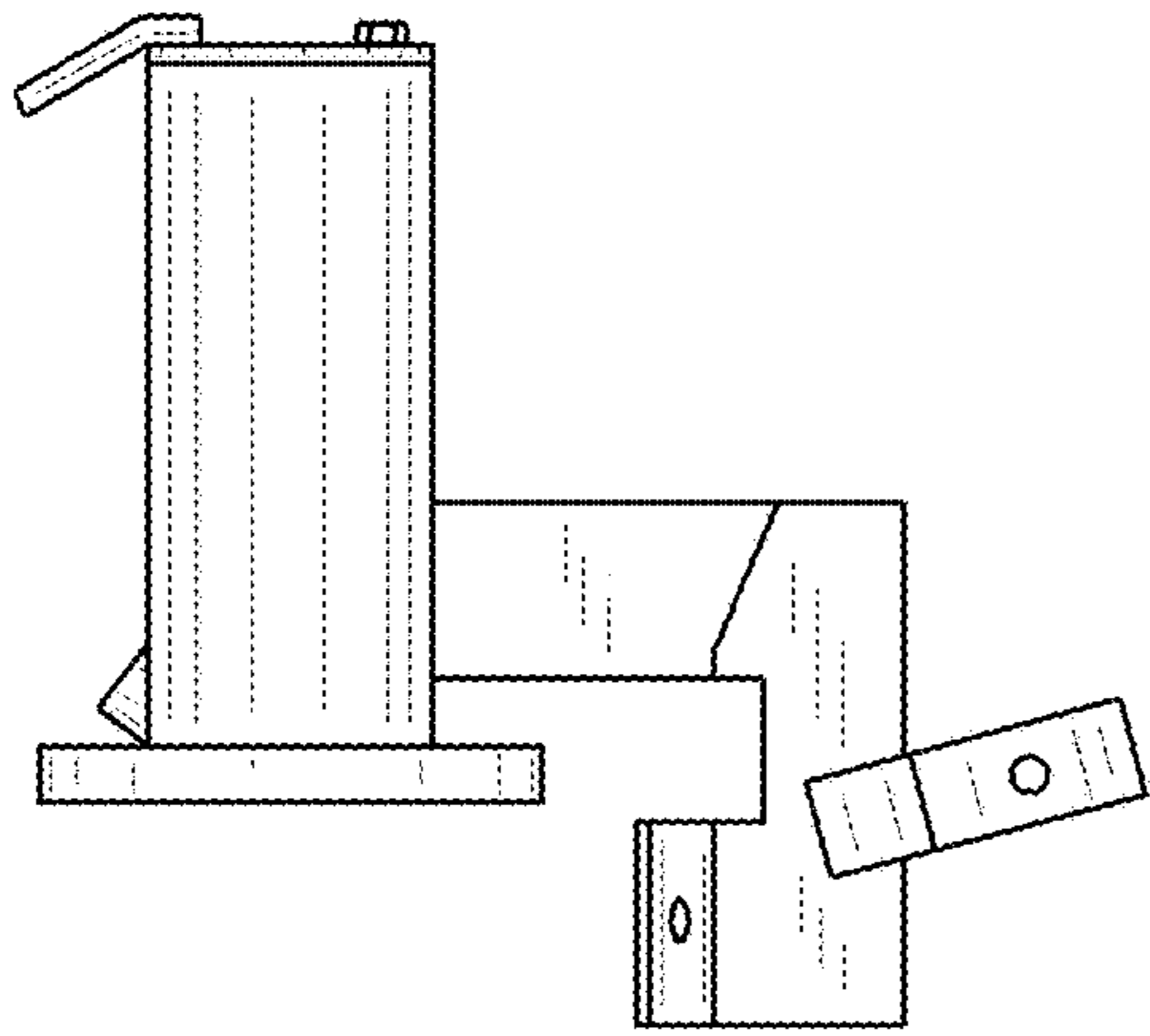


FIG. 1

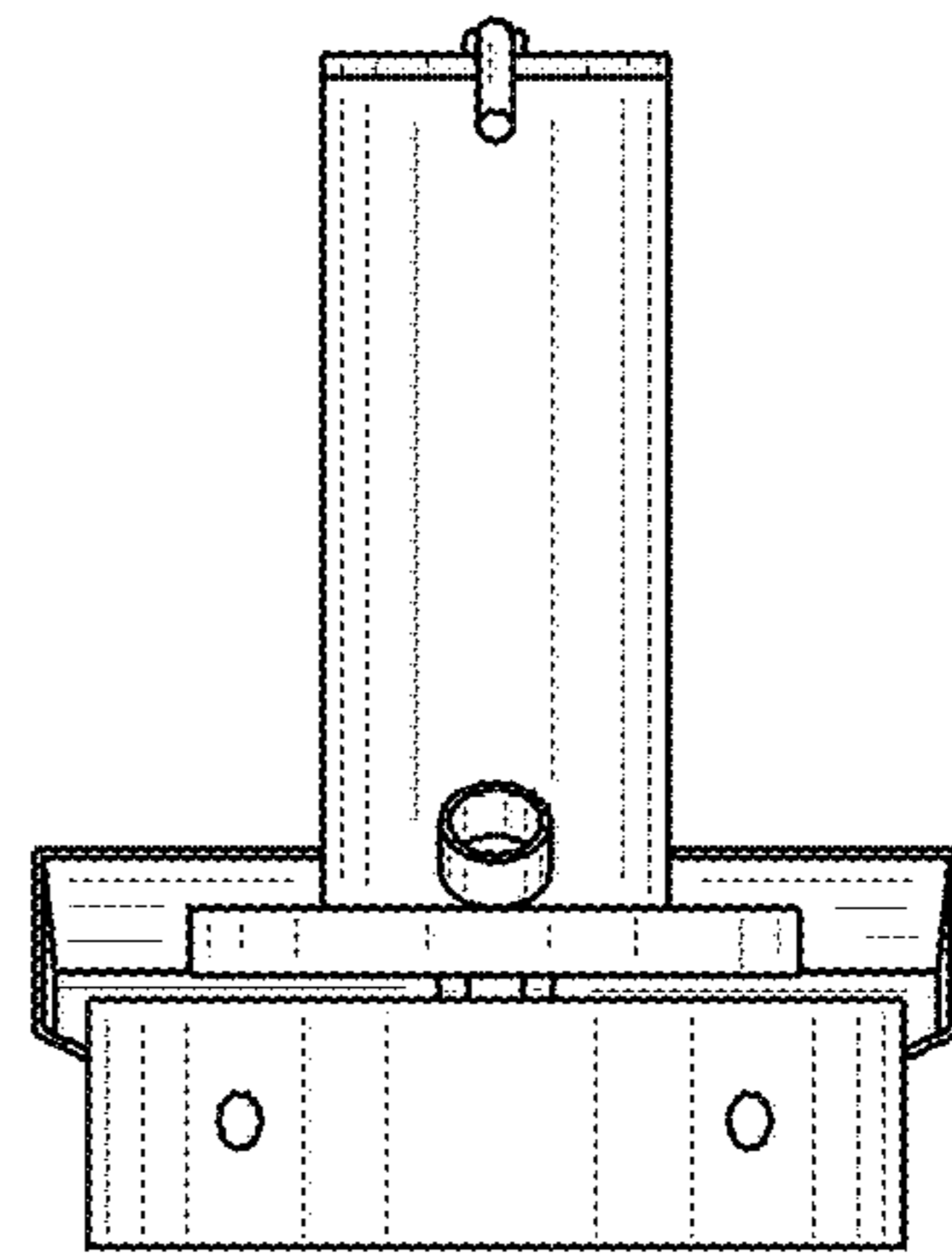


FIG. 2

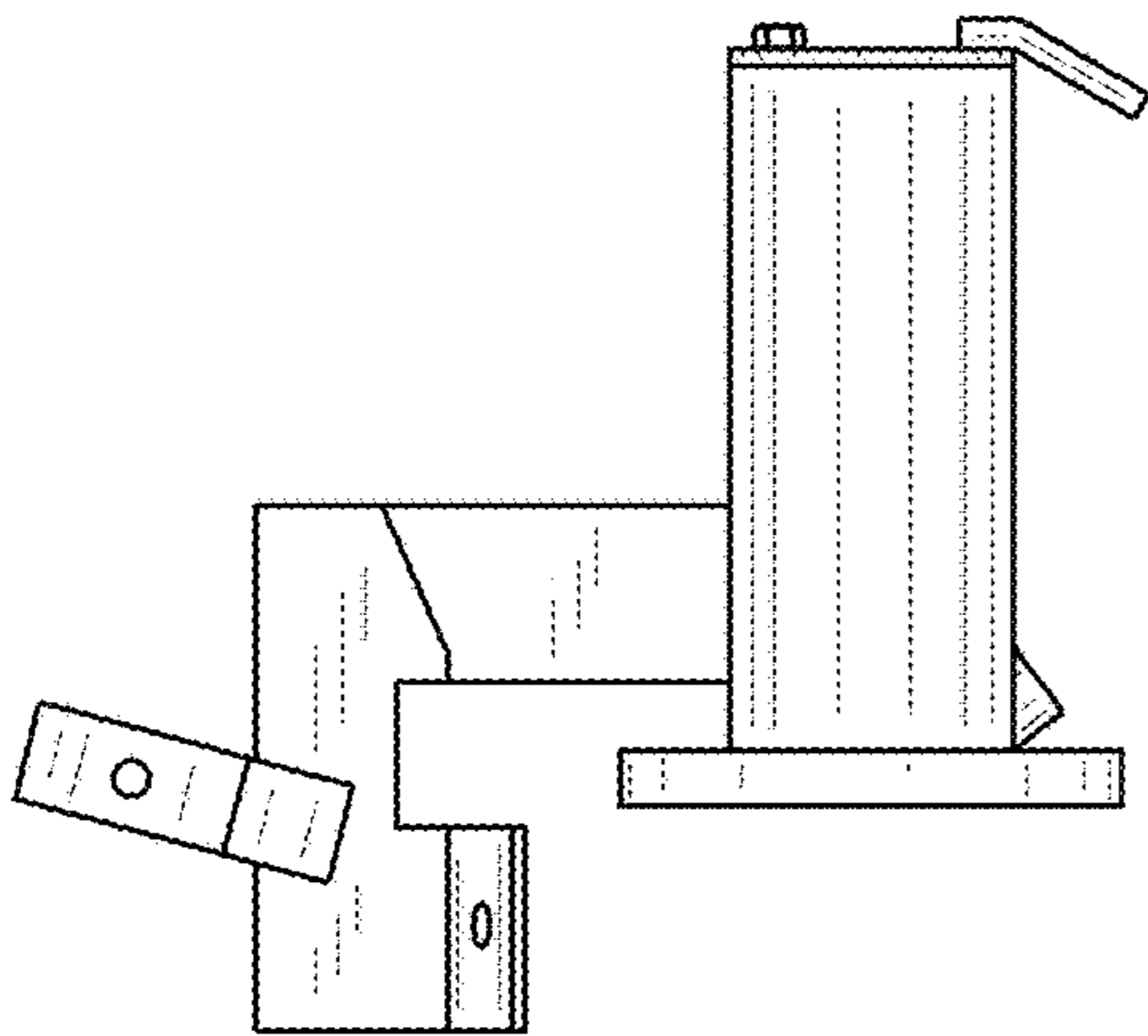


FIG. 3

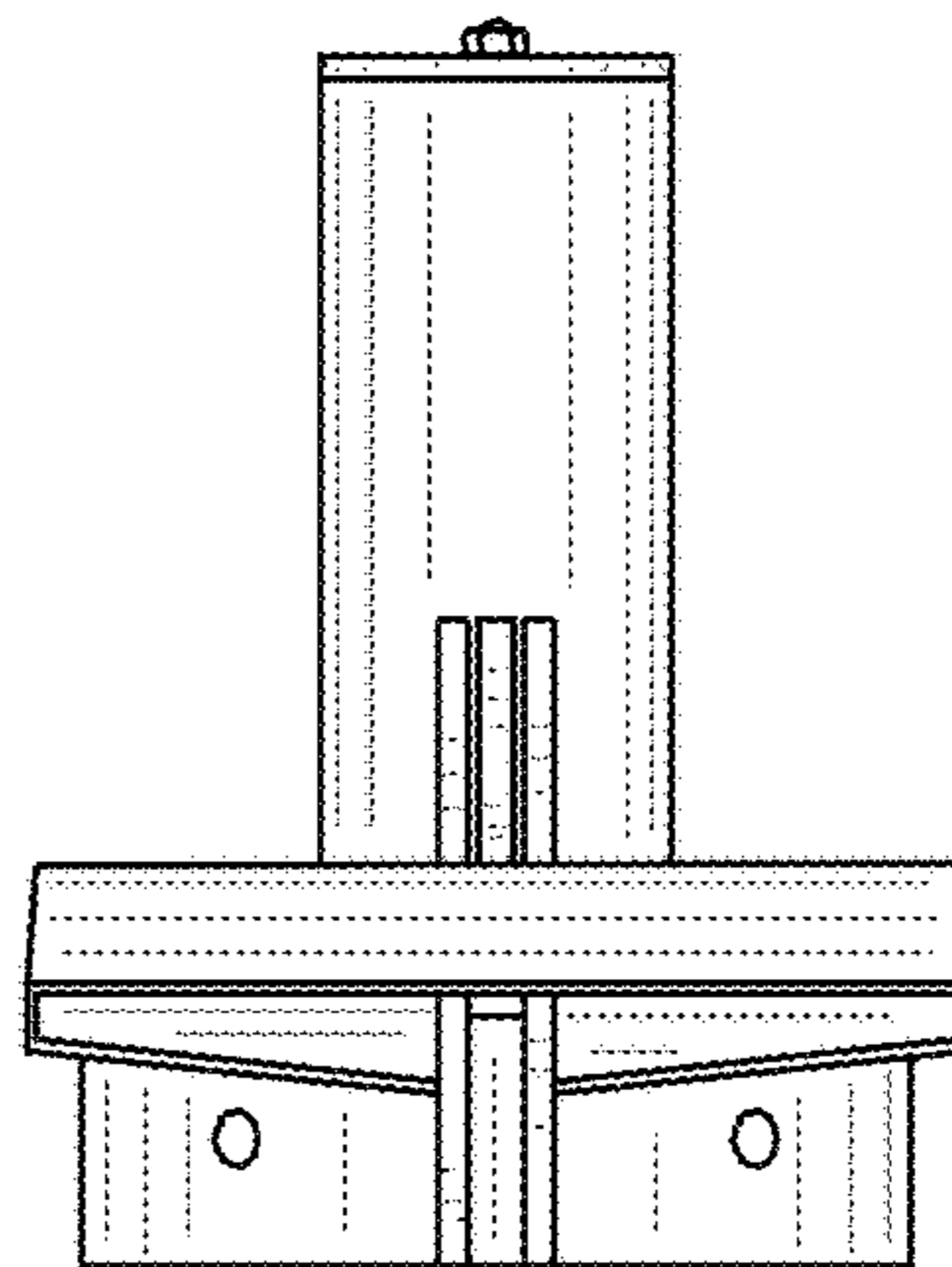


FIG. 4

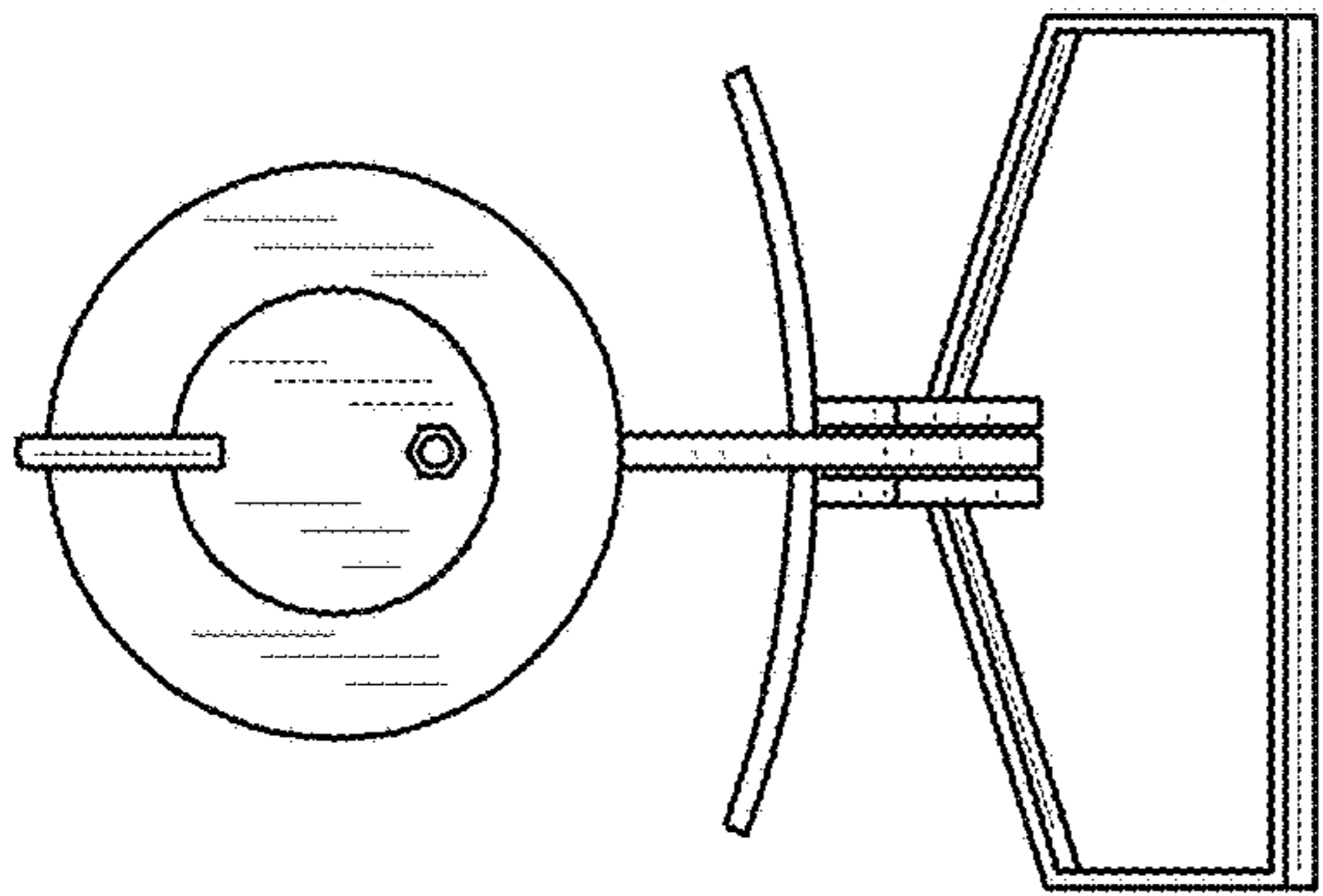


FIG. 5

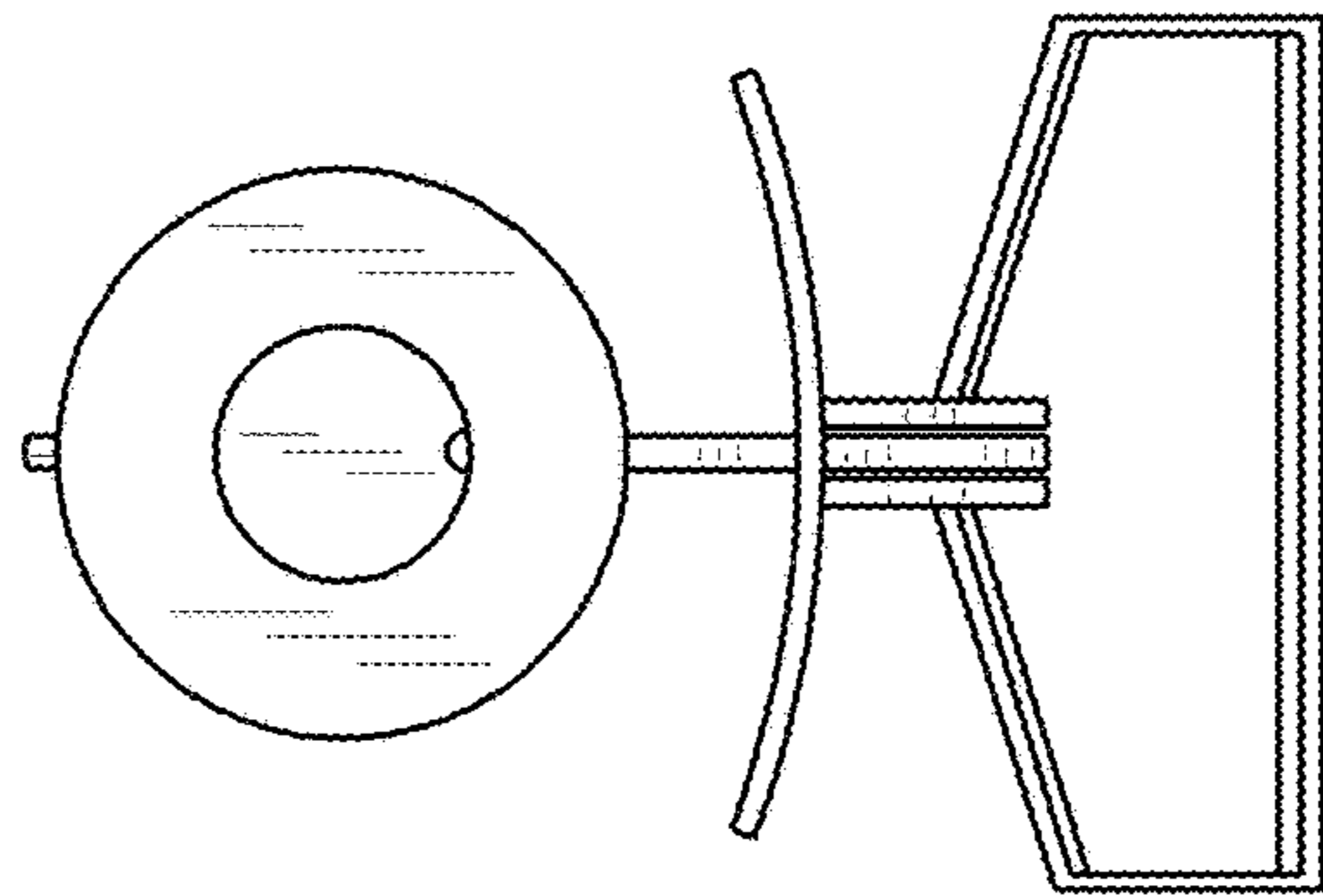


FIG. 6

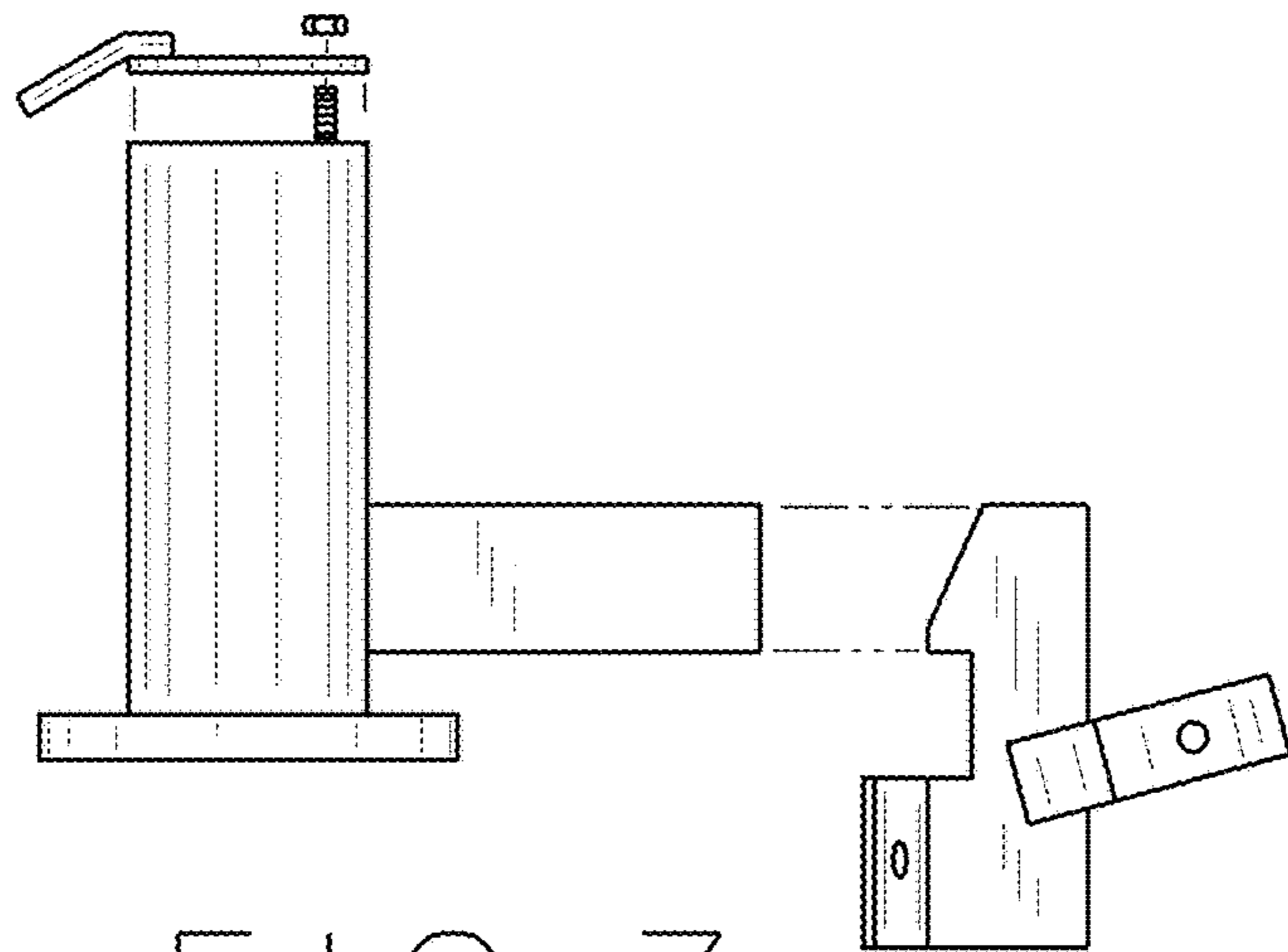


FIG. 7

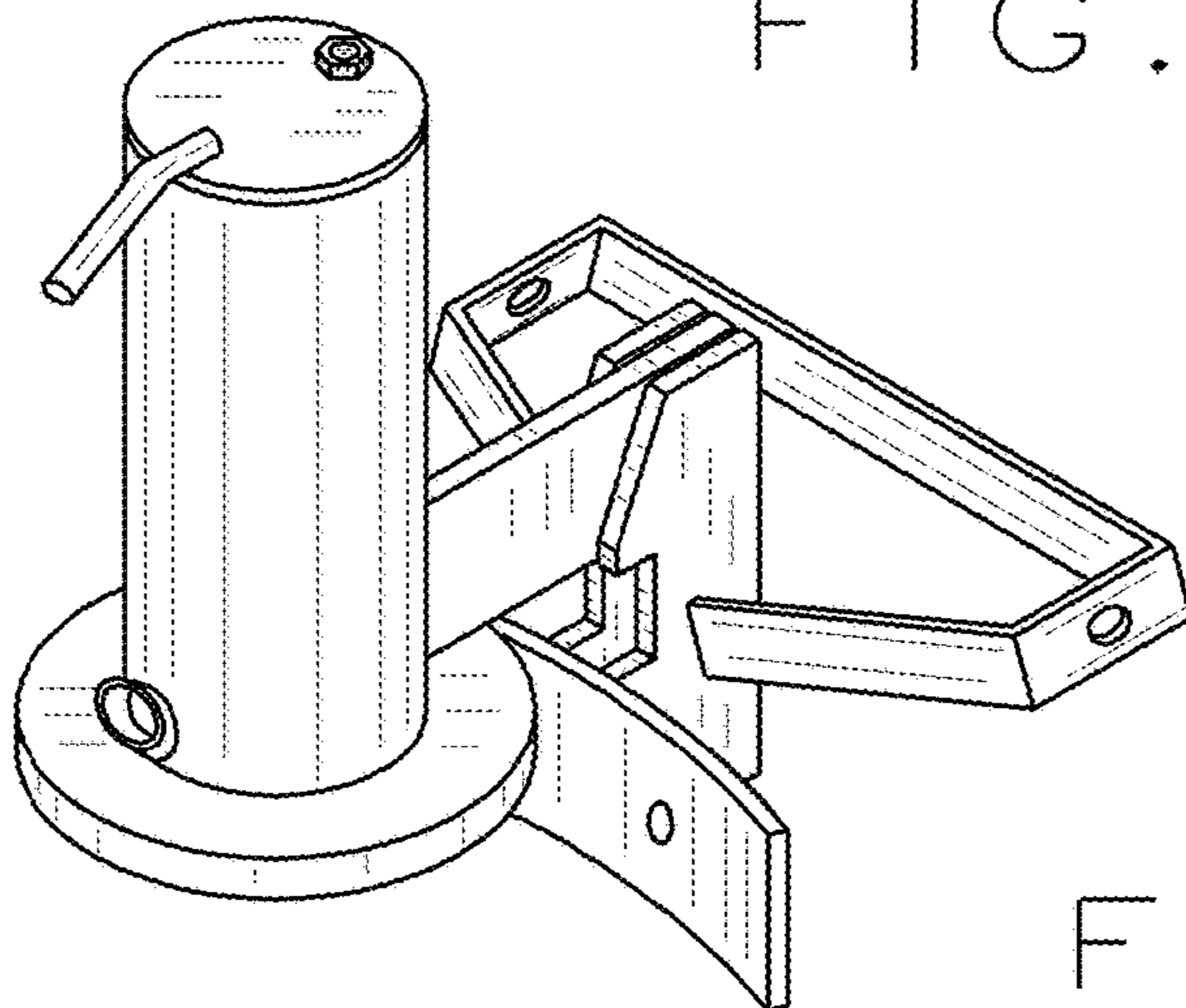


FIG. 8

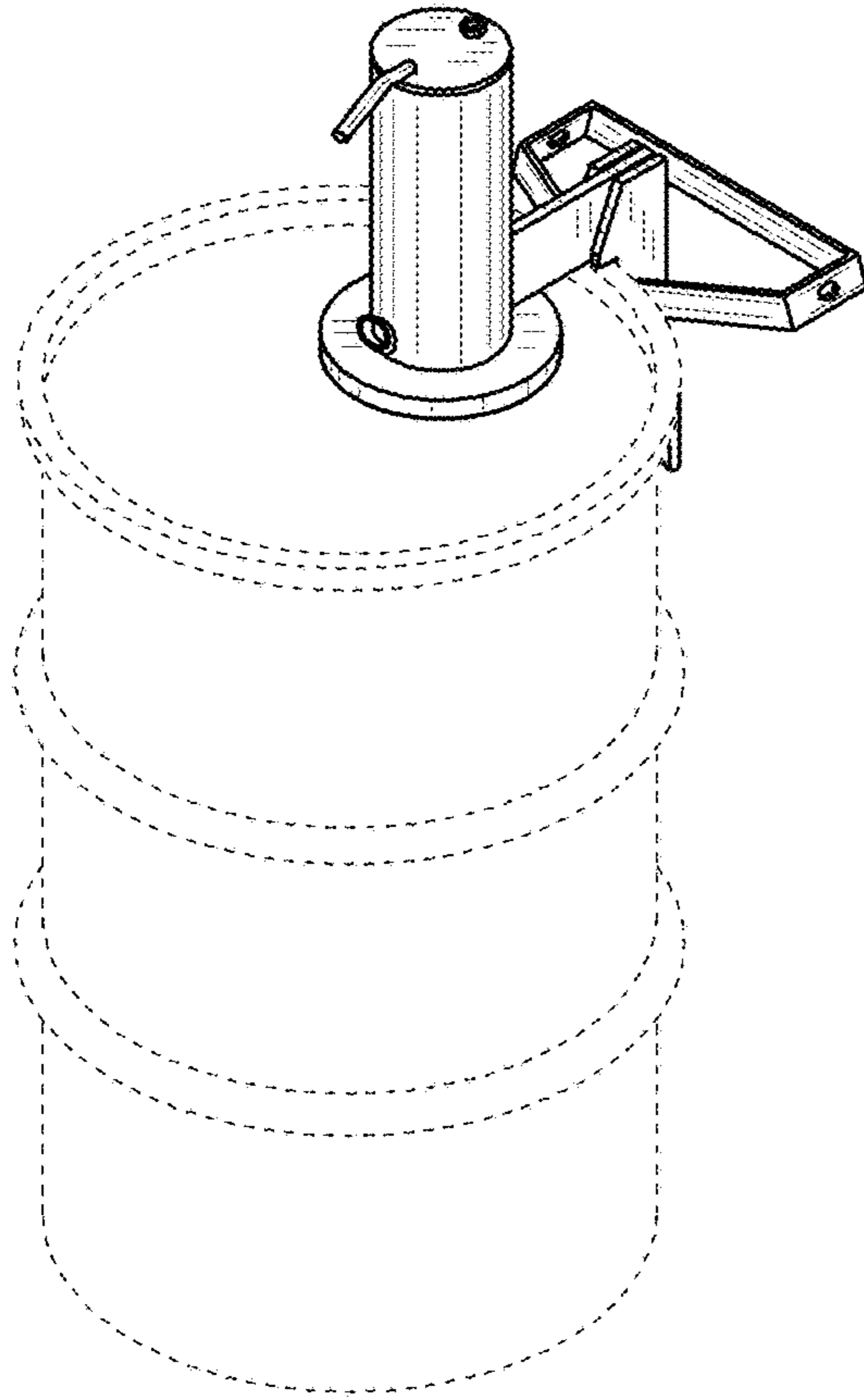


FIG. 9

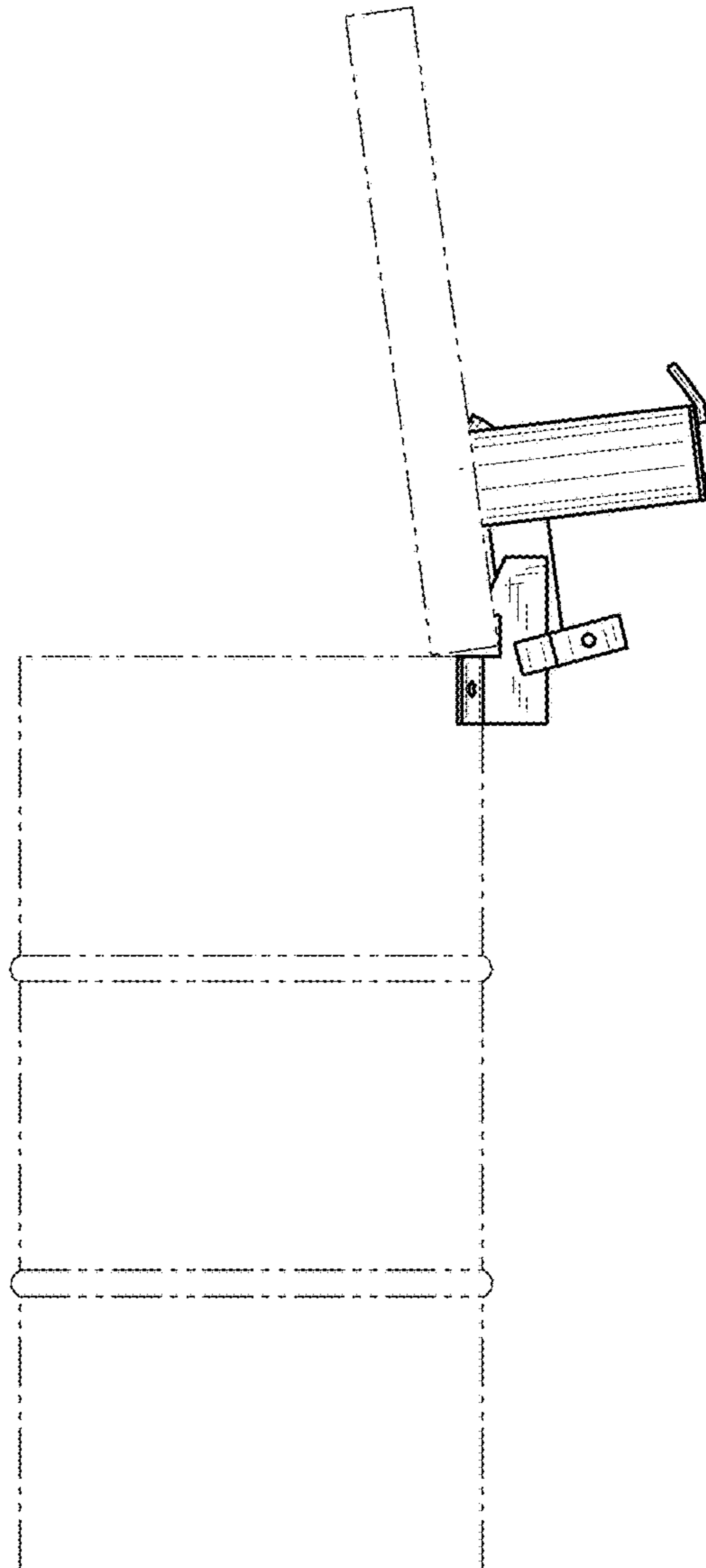


FIG. 10