



US00D781126S

(12) **United States Design Patent** (10) **Patent No.:** **US D781,126 S**
Pionek et al. (45) **Date of Patent:** **** Mar. 14, 2017**

(54) **COOKTOP CONTROL KNOB WITH A REFLECTIVE RING**

70/5765; Y10T 16/459; Y10T 74/2066;
Y10T 16/487; Y10T 74/20822

See application file for complete search history.

(71) Applicant: **Wolf Appliance, Inc.**, Fitchburg, WI (US)

(56) **References Cited**

U.S. PATENT DOCUMENTS

(72) Inventors: **Jason C. Pionek**, Madison, WI (US);
Mark R. Eckert, Verona, WI (US);
Curtis Leroy Cruver, IV, Elmhurst, IL (US); **William Cesare Cesaroni**,
Glenview, IL (US); **Curt P. Vitcenda**,
Edgerton, WI (US); **Patrick W. Best**,
Mount Horeb, WI (US)

2,682,859 A * 7/1954 Jensen H03J 1/14
116/254
2,699,141 A * 1/1955 Gaguski H01H 13/023
116/332
2,998,733 A * 9/1961 Thompson G05G 5/04
192/141

(Continued)

FOREIGN PATENT DOCUMENTS

(73) Assignee: **Wolf Appliance, Inc.**, Fitchburg, WI (US)

EP 2659190 9/2014

Primary Examiner — Derrick Holland

Assistant Examiner — Lauren Calve

(**) Term: **15 Years**

(74) *Attorney, Agent, or Firm* — Bell & Manning, LLC

(21) Appl. No.: **29/554,272**

(57) **CLAIM**

We claim the ornamental design for a cooktop control knob with a reflective ring, as shown and described.

(22) Filed: **Feb. 10, 2016**

(51) **LOC (10) Cl.** **08-06**

DESCRIPTION

(52) **U.S. Cl.**

USPC **D8/310**

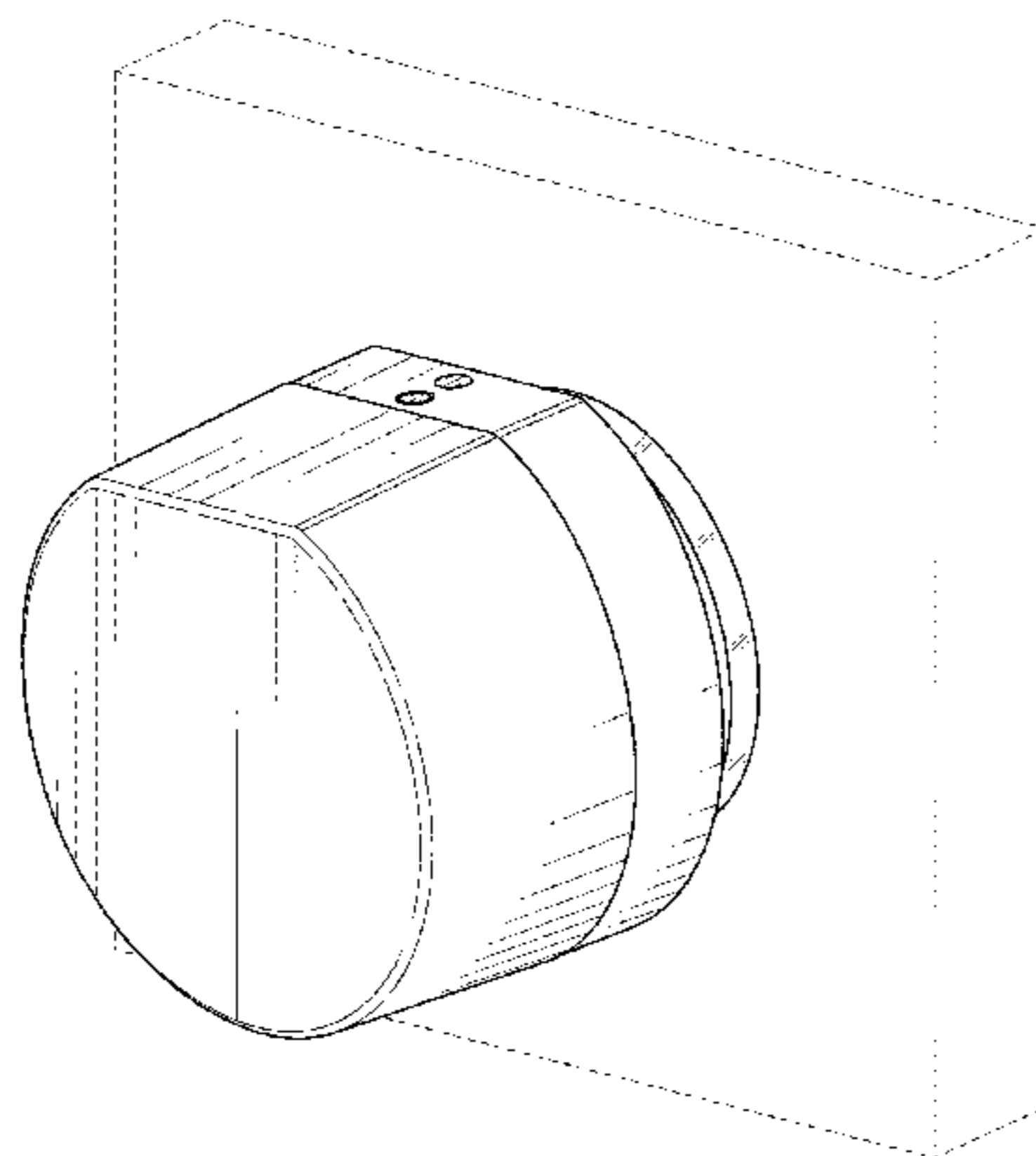
(58) **Field of Classification Search**

USPC D8/107, 300, 301, 307, 310, 311, 312;
D23/250, 421; 74/553, 554, 555, 556,
74/558, 543; D7/393, 394, 396, 406, 543,
D7/545, 547, 548; 16/110.1, 422, 426,
16/430, 443

CPC ... Y10T 292/57; Y10T 292/82; Y10T 16/469;
Y10T 16/44; Y10T 16/476; Y10T
74/2084; Y10T 292/85; Y10T 74/2087;
Y10T 16/4713; Y10T 16/506; Y10T
74/20876; Y10T 74/20612; Y10T

FIG. 1 is a top, front, right perspective view of a cooktop control knob with a reflective ring showing our new design in environmental use;
FIG. 2 is a front elevation view of the cooktop control knob with a reflective ring of FIG. 1;
FIG. 3 is a back elevation view of the cooktop control knob with a reflective ring of FIG. 1;
FIG. 4 is a right elevation view of the cooktop control knob with a reflective ring of FIG. 1;
FIG. 5 is a left elevation view of the cooktop control knob with a reflective ring of FIG. 1;
FIG. 6 is a top plan view of the cooktop control knob with a reflective ring of FIG. 1; and,
FIG. 7 is a bottom plan view of the cooktop control knob with a reflective ring of FIG. 1.

(Continued)



The broken lines shown represent unclaimed subject matter and form no part of the claimed design.

1 Claim, 6 Drawing Sheets

(56)

References Cited

U.S. PATENT DOCUMENTS

D266,348 S * 9/1982 Piesco D23/252
 D316,293 S * 4/1991 Ragonot D23/250
 D324,807 S * 3/1992 Reid D23/250
 5,936,613 A * 8/1999 Jaeger G06F 3/0238
 345/172
 D419,218 S * 1/2000 Mullenmeister D23/238
 6,079,401 A 6/2000 Alvord et al.
 D493,090 S 7/2004 Chen et al.
 D498,657 S 11/2004 Milrud et al.
 D511,290 S * 11/2005 Coudurier D8/310
 D525,517 S * 7/2006 Baldwin D8/310
 D534,628 S * 1/2007 Chisenhall D12/192
 7,171,727 B2 2/2007 Wylie et al.
 7,251,861 B2 * 8/2007 Suzuki H01H 3/10
 16/433

7,259,908 B2 * 8/2007 Wagener G02B 21/24
 359/368
 D568,715 S * 5/2008 Gustafson D6/307
 7,381,128 B2 * 6/2008 Ogawa B60H 1/0065
 454/143
 D578,890 S * 10/2008 Swanson D9/435
 7,462,795 B2 12/2008 Montalvo
 D597,632 S * 8/2009 Obara D23/250
 D631,726 S * 2/2011 Ferreira Sanchez D8/300
 D644,912 S 9/2011 Benold
 D649,004 S * 11/2011 Ferreira Sanchez D8/310
 8,430,460 B2 * 4/2013 Erro A47F 3/043
 16/414
 D696,068 S * 12/2013 Baacke D7/402
 D704,028 S 5/2014 Meda et al.
 D724,381 S 3/2015 Pionek et al.
 D724,382 S 3/2015 Pionek et al.
 8,979,289 B2 3/2015 Camli et al.
 9,146,033 B2 9/2015 Cadima et al.
 D741,454 S * 10/2015 Freier G05D 23/1393
 D23/250
 D752,385 S * 3/2016 Pionek D7/406
 D752,386 S 3/2016 Pionek et al.
 D764,028 S * 8/2016 Schoenherr D23/254
 2014/0047943 A1 * 2/2014 Camli G05G 1/08
 74/553

* cited by examiner

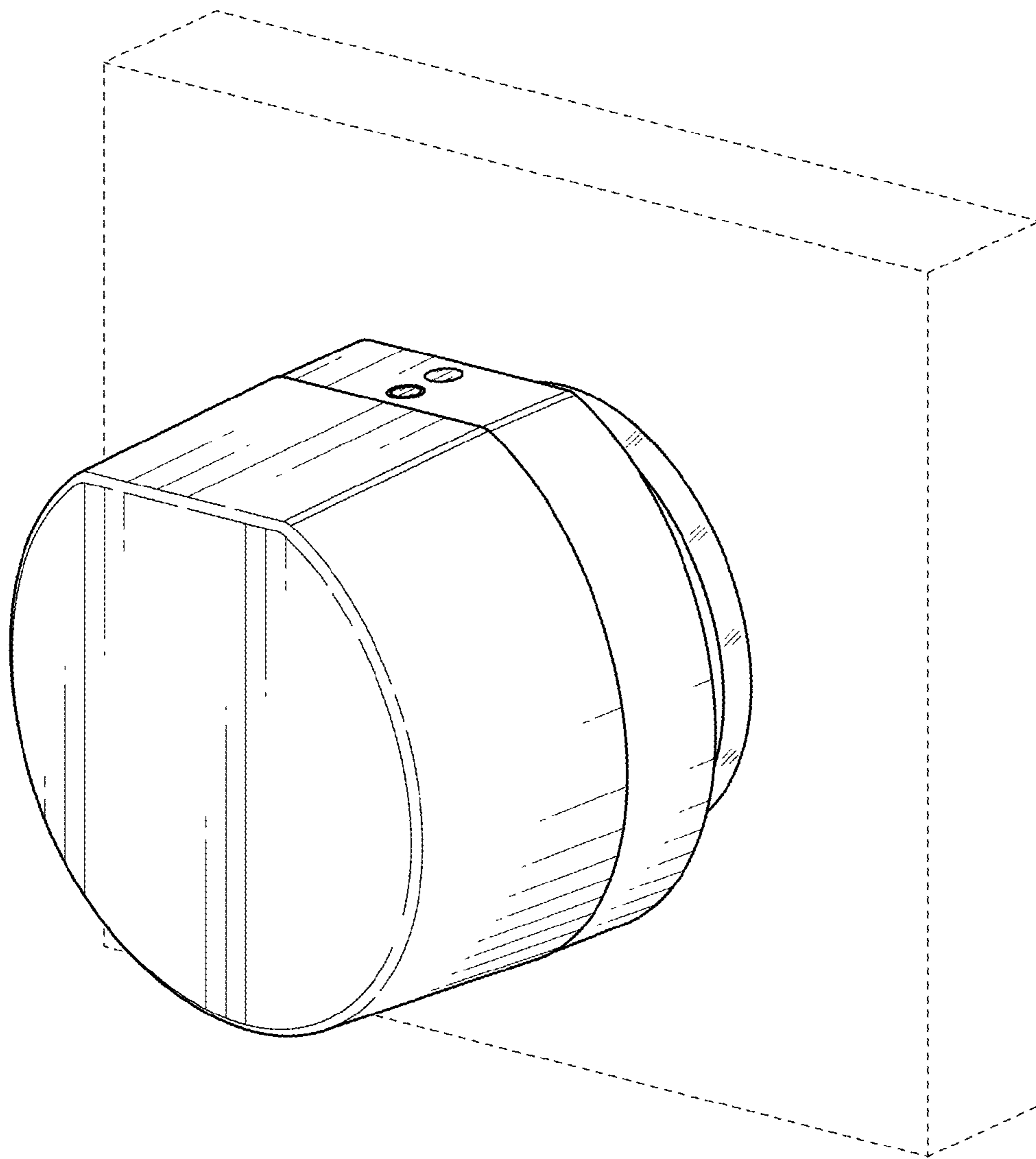


FIG. 1

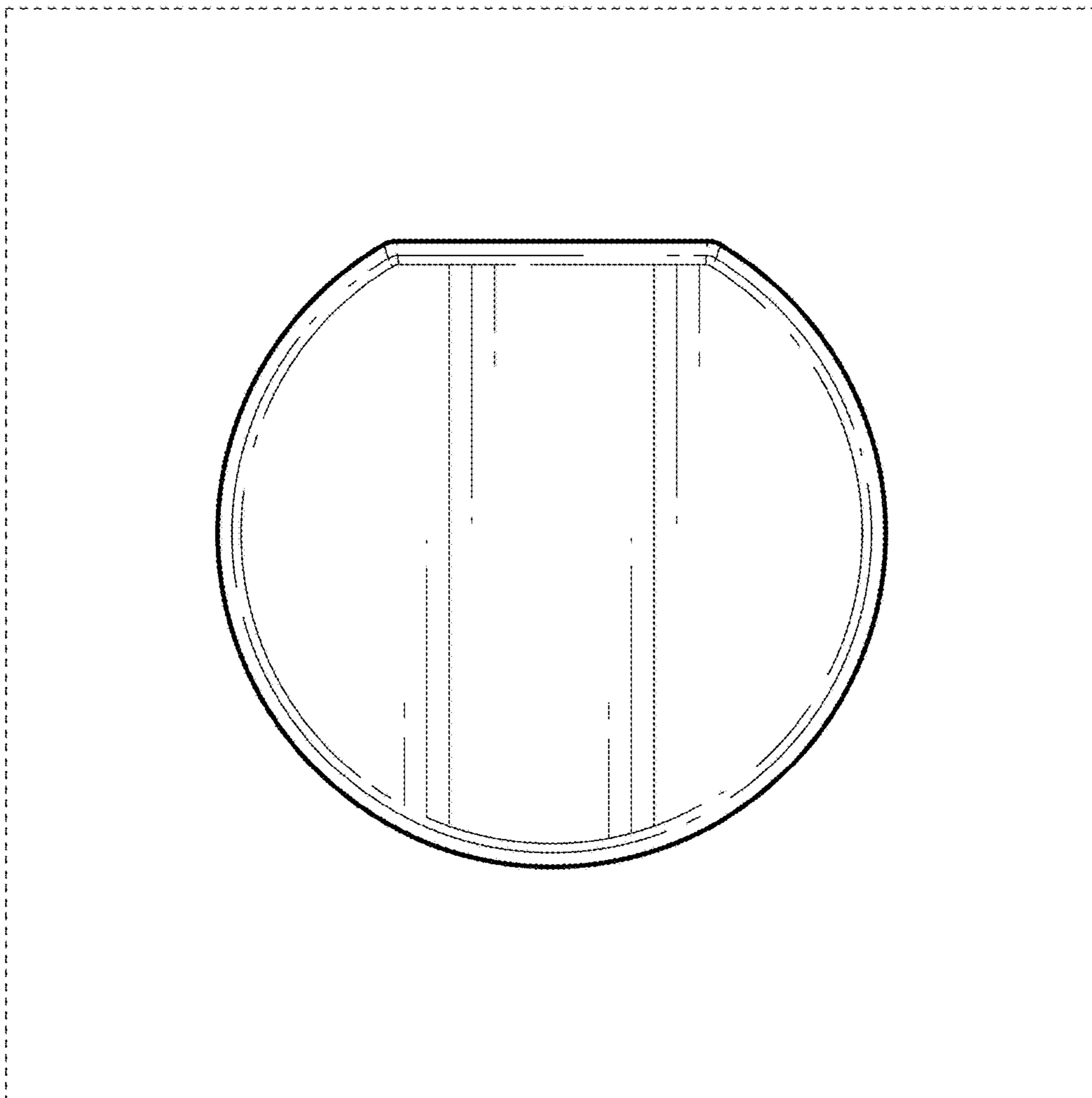


FIG. 2

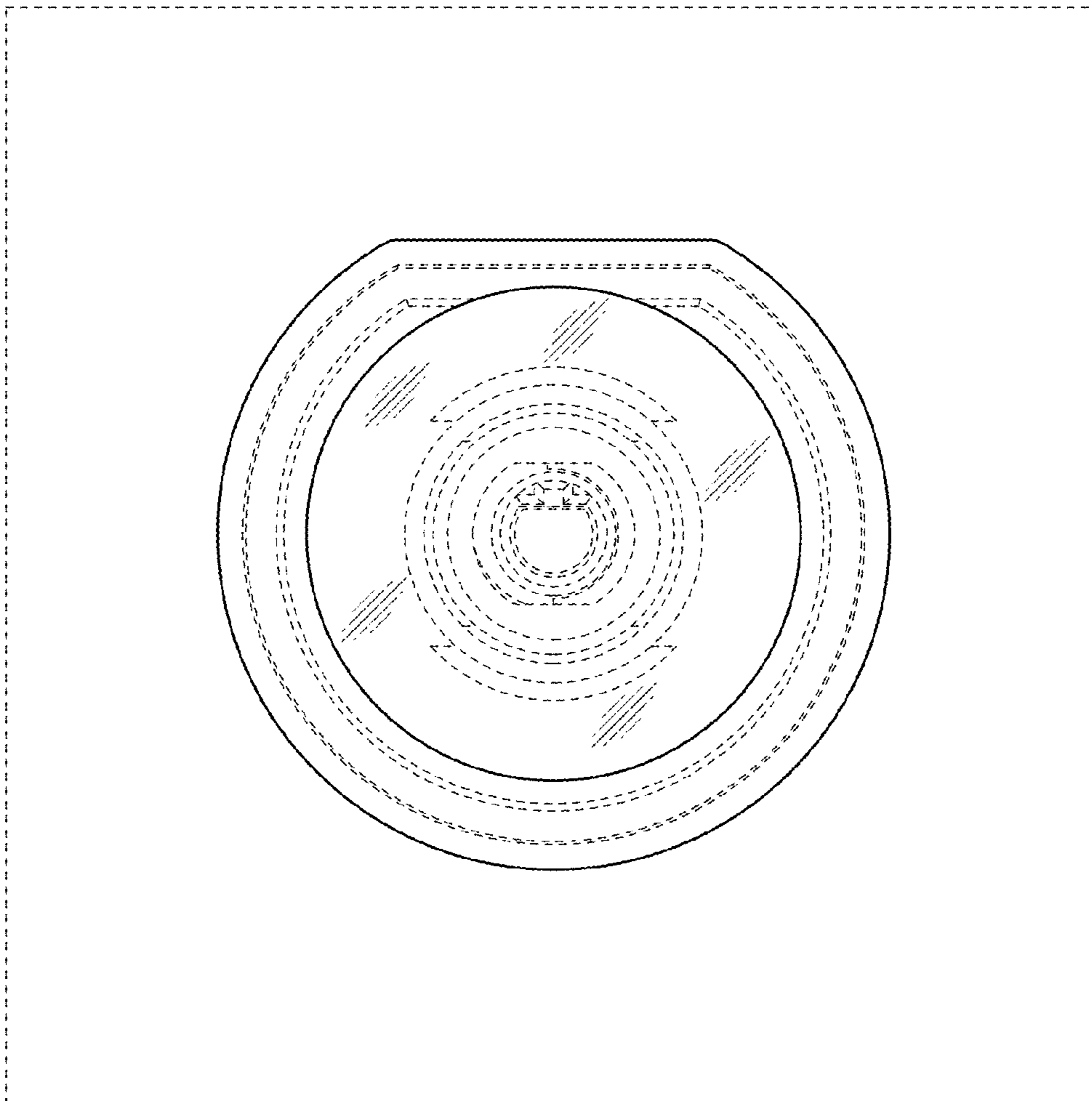


FIG. 3

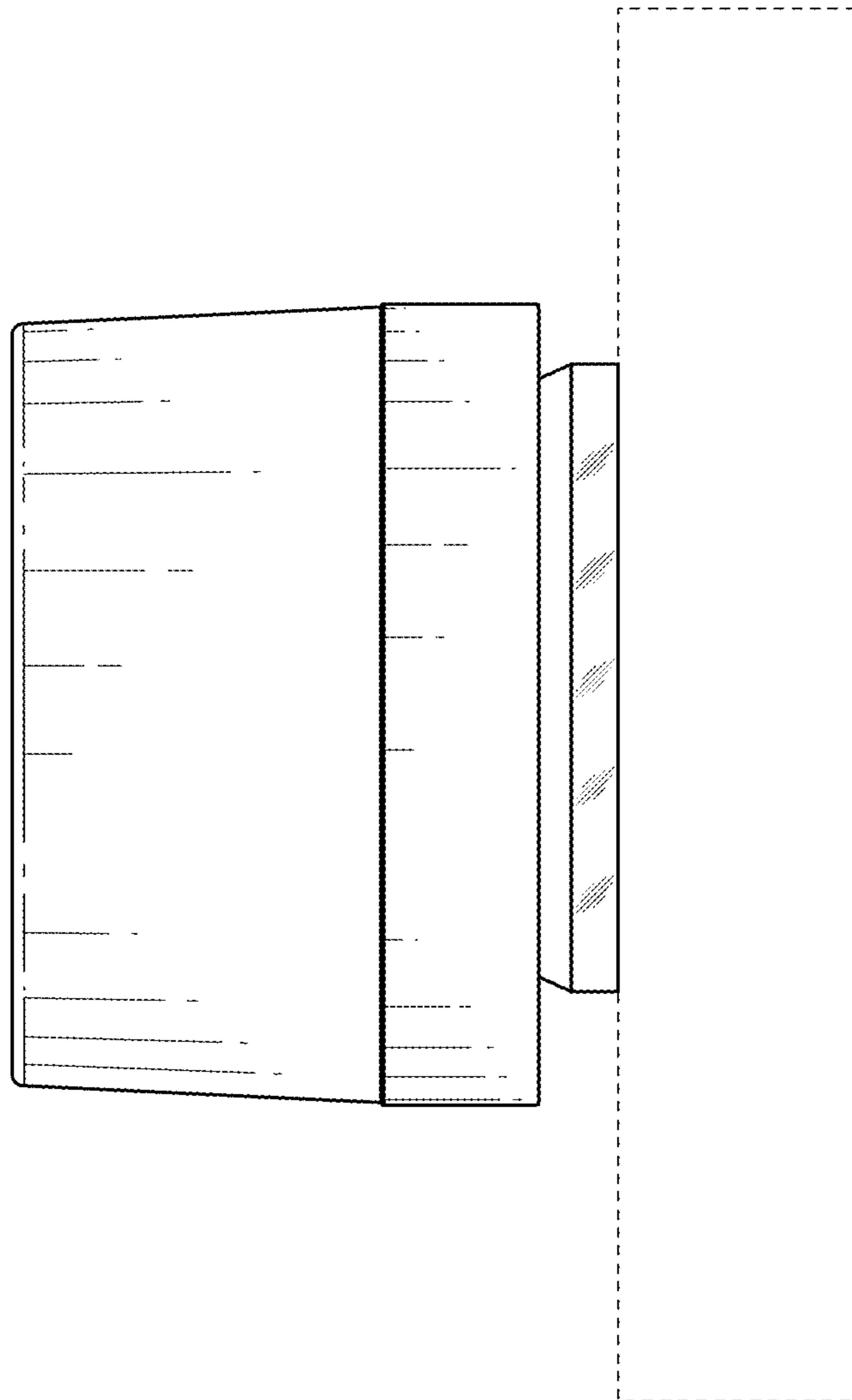


FIG. 4

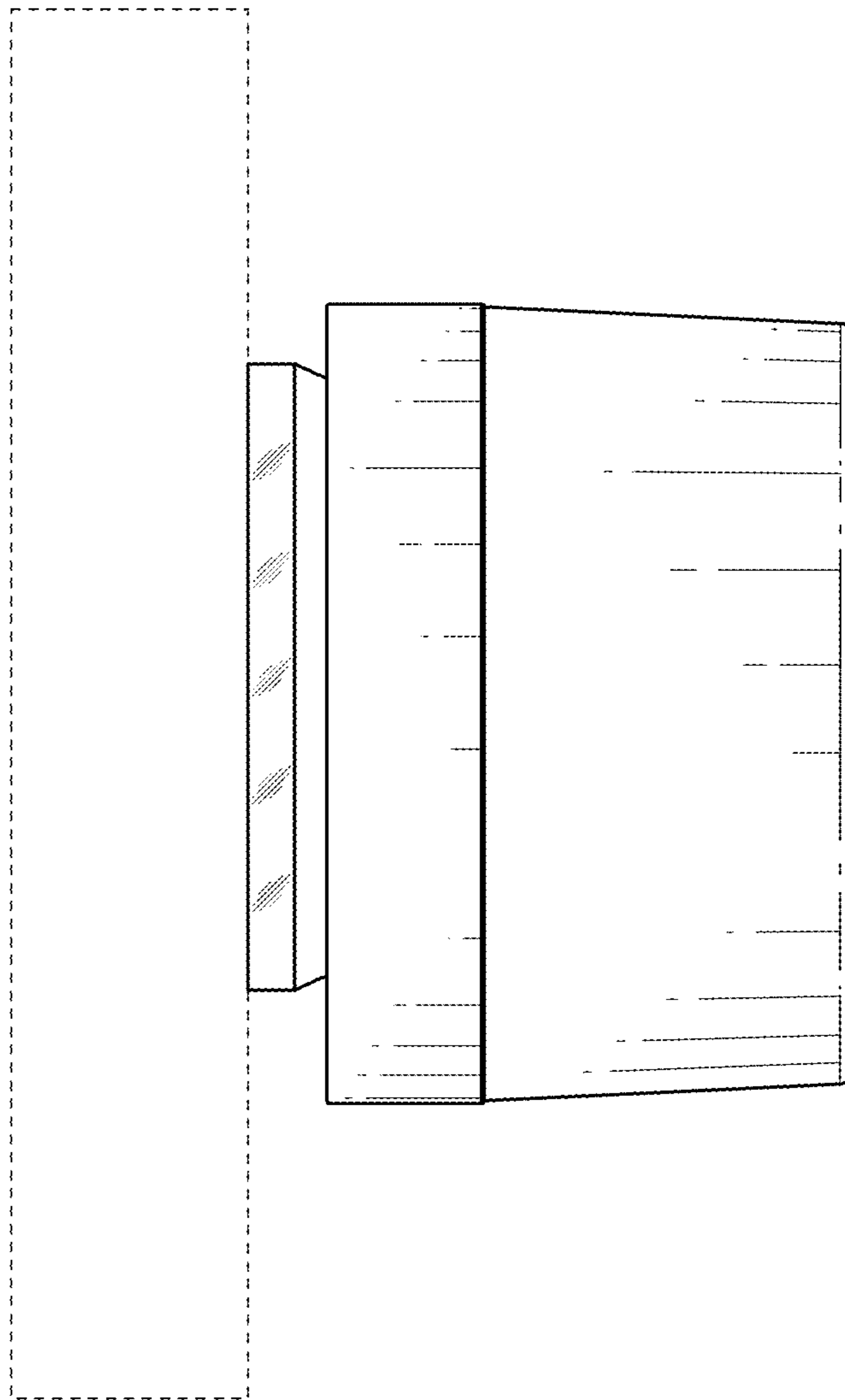


FIG. 5

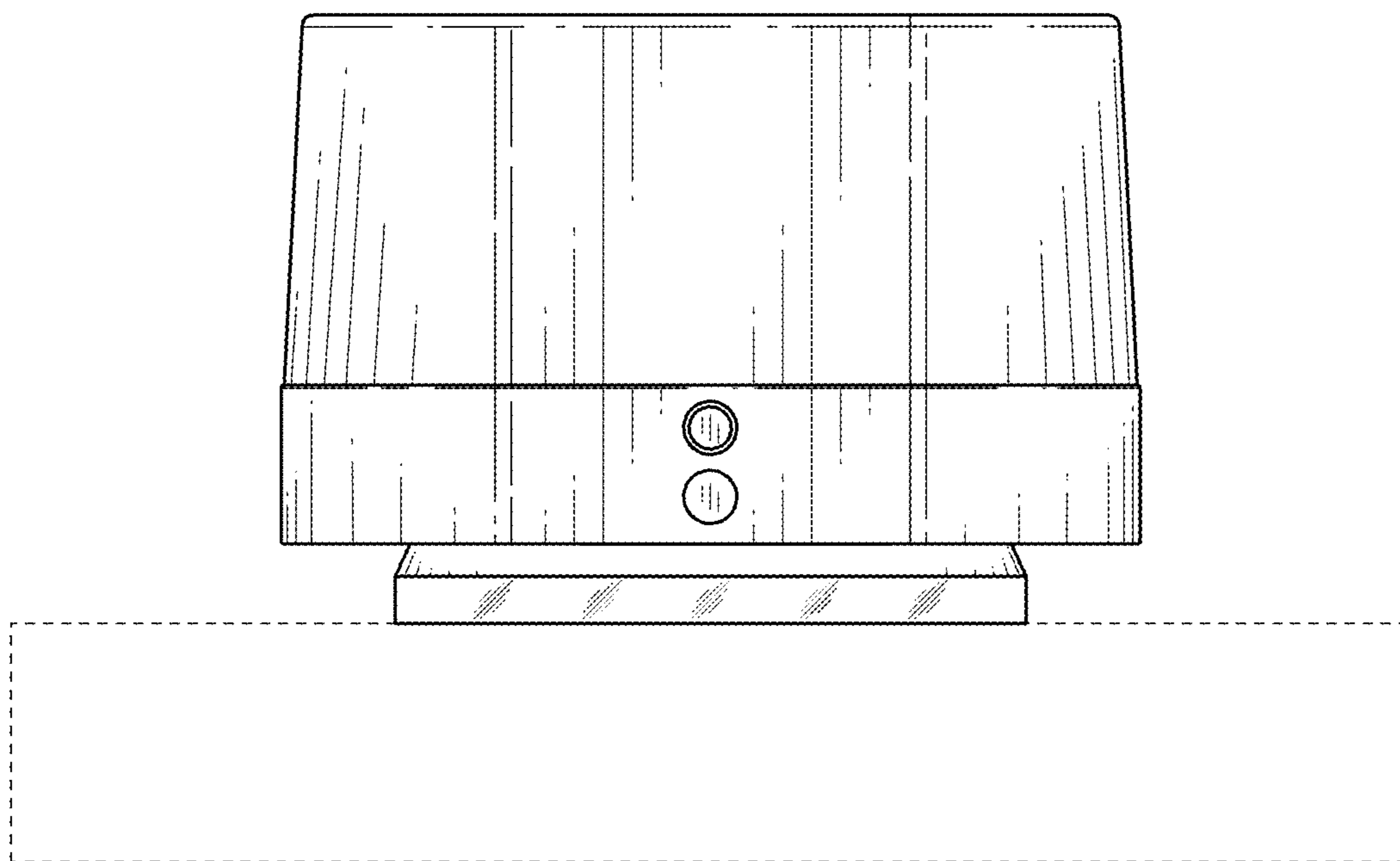


FIG. 6

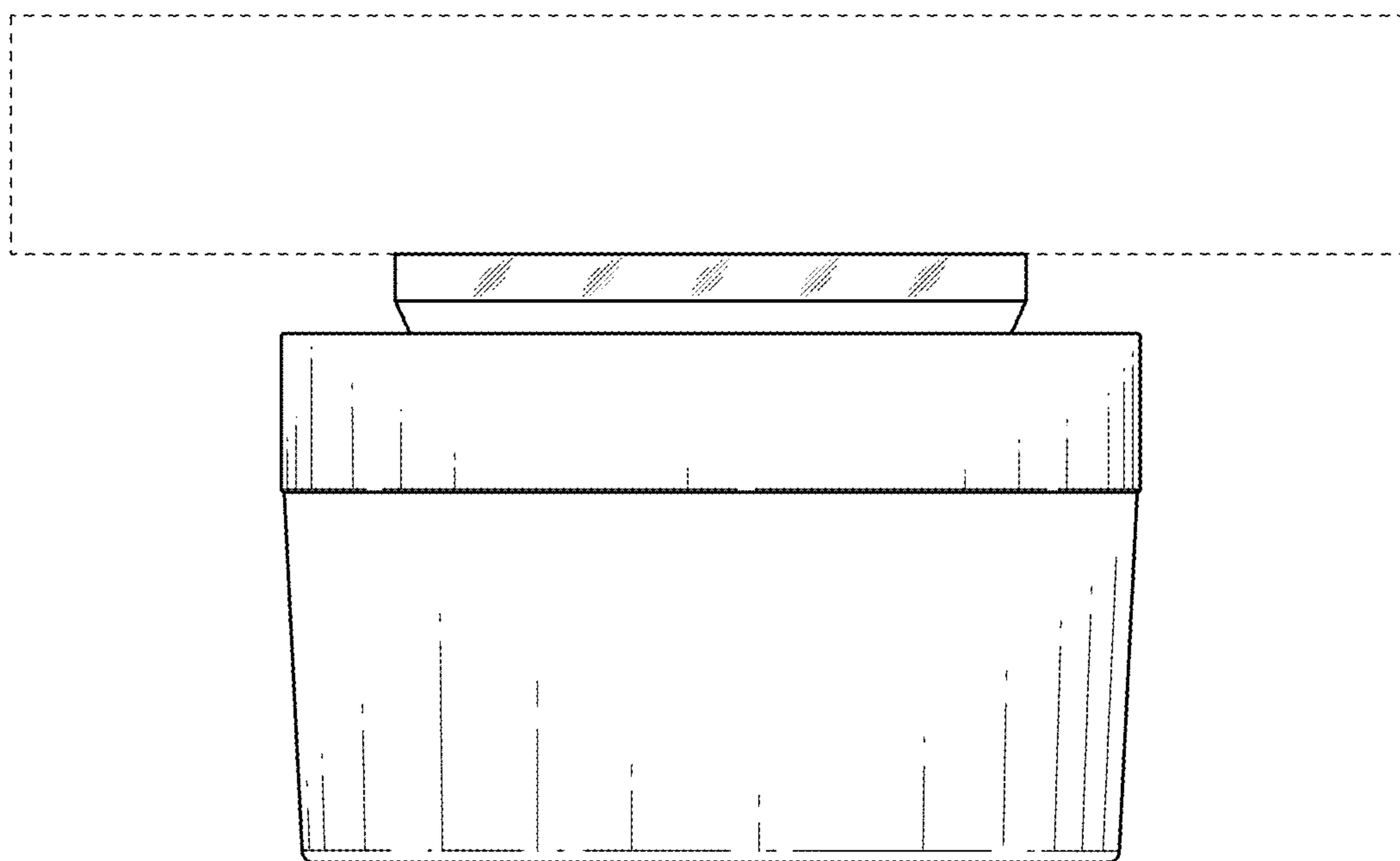


FIG. 7