



US00D781124S

(12) **United States Design Patent**
Chen

(10) **Patent No.:** **US D781,124 S**
(45) **Date of Patent:** **** Mar. 14, 2017**

- (54) **HAMMER**
- (71) Applicant: **LUCKY-BRAND INDUSTRIAL CO., LTD.**, Taichung (TW)
- (72) Inventor: **Ying-Chieh Chen**, Taichung (TW)
- (73) Assignee: **LUCKY-BRAND INDUSTRIAL CO., LTD.**, Taichung (TW)
- (**) Term: **15 Years**
- (21) Appl. No.: **29/531,419**
- (22) Filed: **Jun. 25, 2015**
- (51) **LOC (10) Cl.** **08-02**
- (52) **U.S. Cl.**
USPC **D8/79; D8/78**
- (58) **Field of Classification Search**
USPC D8/75, 76, 77, 78, 79, 80, 81
CPC ... B25G 1/00; B25G 1/01; B25G 1/02; B25D 1/00; B25D 1/10; B25D 1/14; B25D 1/02; B25D 1/04; B25F 1/00; B25F 1/006
See application file for complete search history.

(56) **References Cited**

U.S. PATENT DOCUMENTS

D420,881 S *	2/2000	Davis	D8/75
D470,380 S *	2/2003	Huang	D8/75
D478,266 S *	8/2003	Chen	D8/78
D600,523 S *	9/2009	Adams	D8/75
7,874,231 B2 *	1/2011	Hanlon	B25D 1/06 81/22

D653,925 S *	2/2012	Hung	D8/78
D676,300 S *	2/2013	Vanderbeek	D8/75
D676,301 S *	2/2013	Vanderbeek	D8/75
D743,231 S *	11/2015	Chang	D8/78
D747,943 S *	1/2016	Hung	D8/75
D748,447 S *	2/2016	Hung	D8/75
2015/0068366 A1 *	3/2015	Lombardi	B25G 1/10 81/20

* cited by examiner

Primary Examiner — Phillip S Hyder

(74) *Attorney, Agent, or Firm* — Muncy, Geissler, Olds & Lowe, P.C.

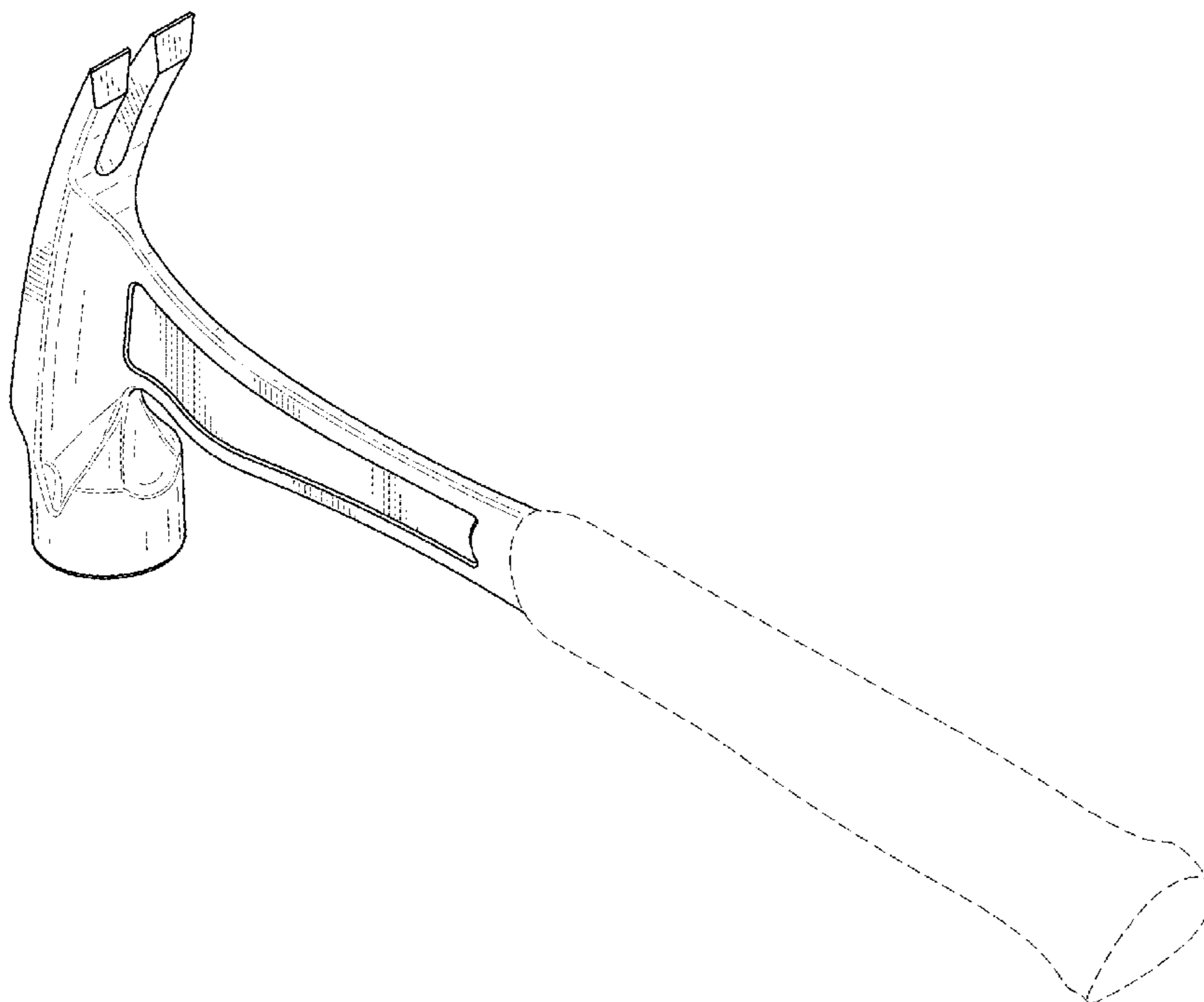
(57) **CLAIM**

The ornamental design for a hammer, as shown and described.

DESCRIPTION

FIG. 1 is a perspective view of the present design;
 FIG. 2 is a front view of the present design;
 FIG. 3 is a rear view of the present design;
 FIG. 4 is a left side view of the present design;
 FIG. 5 is a right side view of the present design;
 FIG. 6 is a top view of the present design;
 FIG. 7 is a bottom view of the present design;
 FIG. 8 is a cross-sectional view taken along the line I-I of FIG. 2; and,
 FIG. 9 is a perspective cross-sectional view taken along the line I-I of FIG. 2.
 The broken line depictions of the handle form no part of the claimed design.

1 Claim, 6 Drawing Sheets



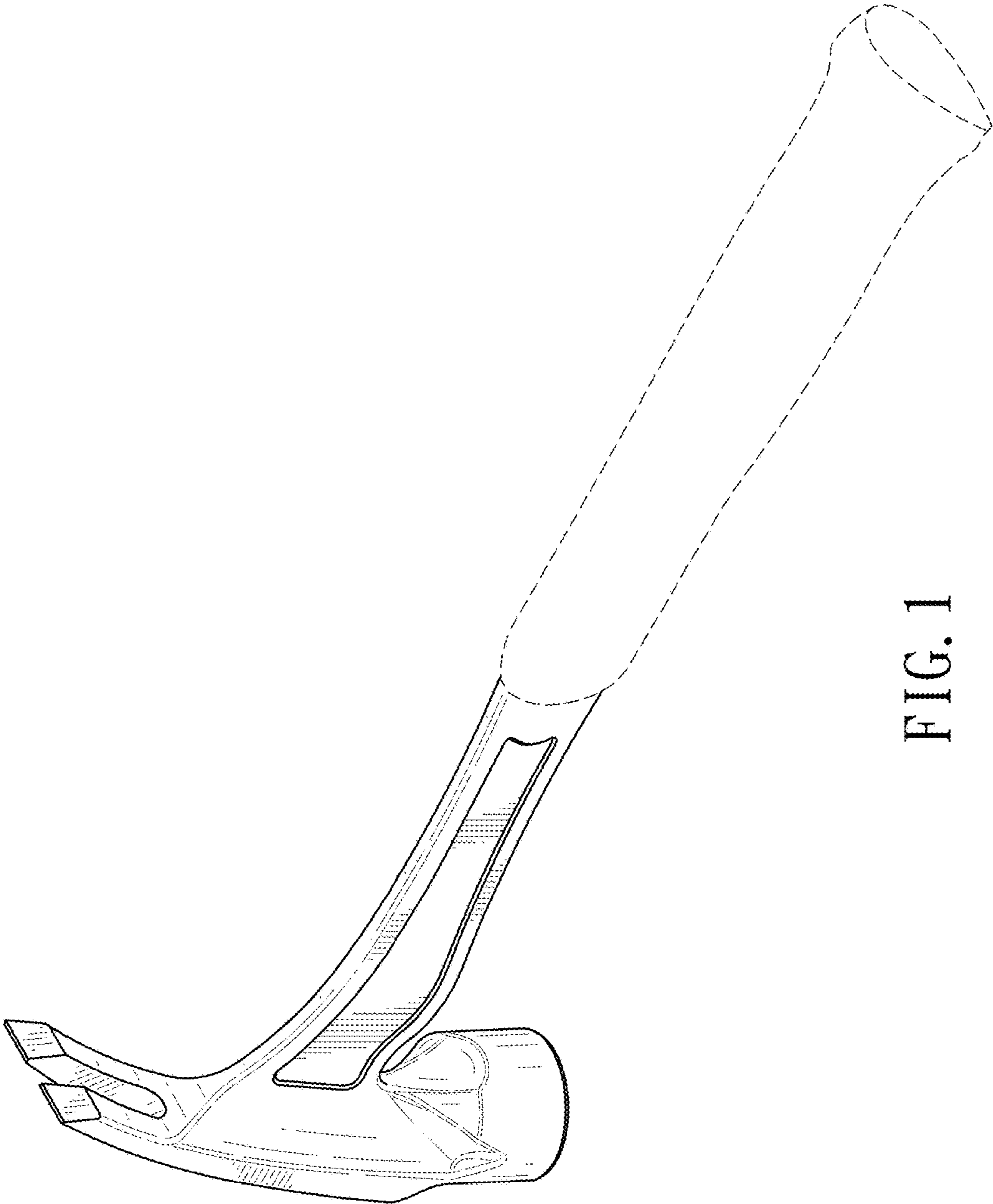


FIG. 1

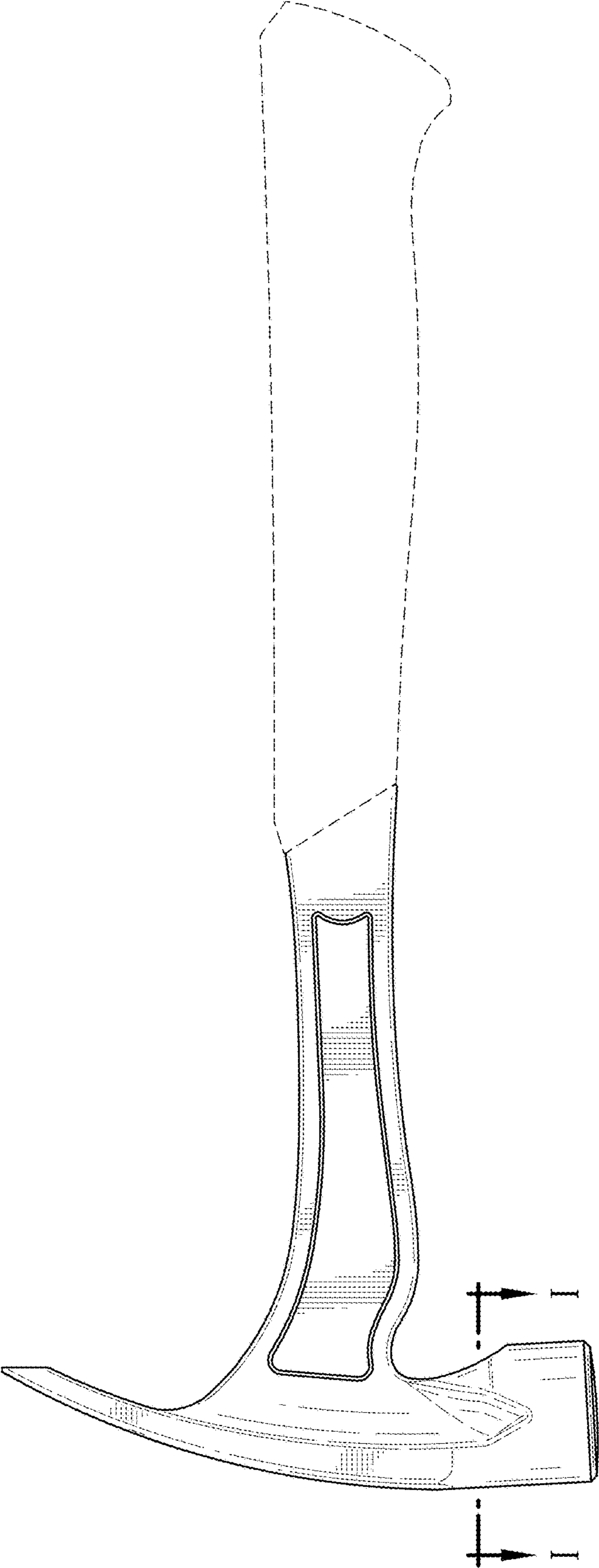


FIG. 2

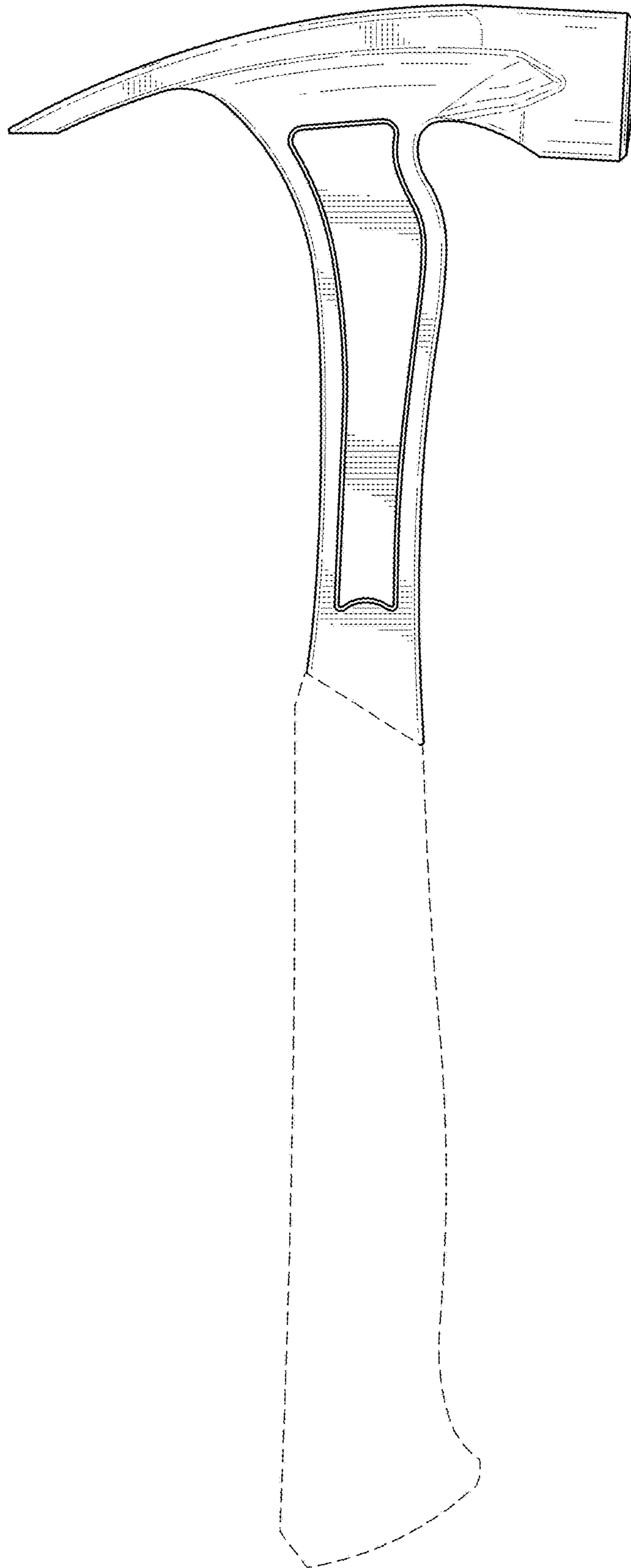


FIG. 3

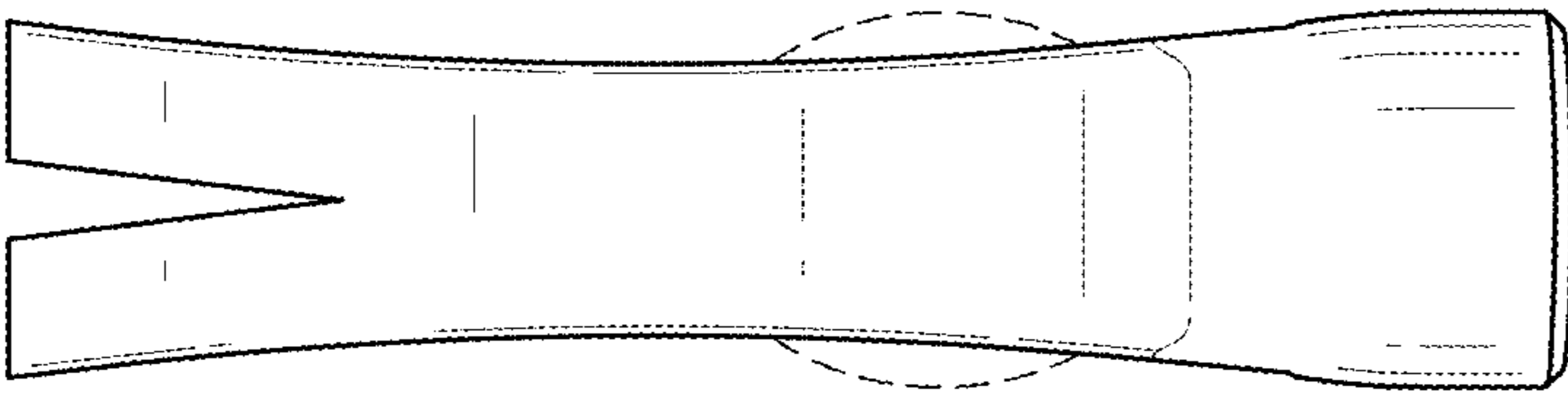


FIG. 4

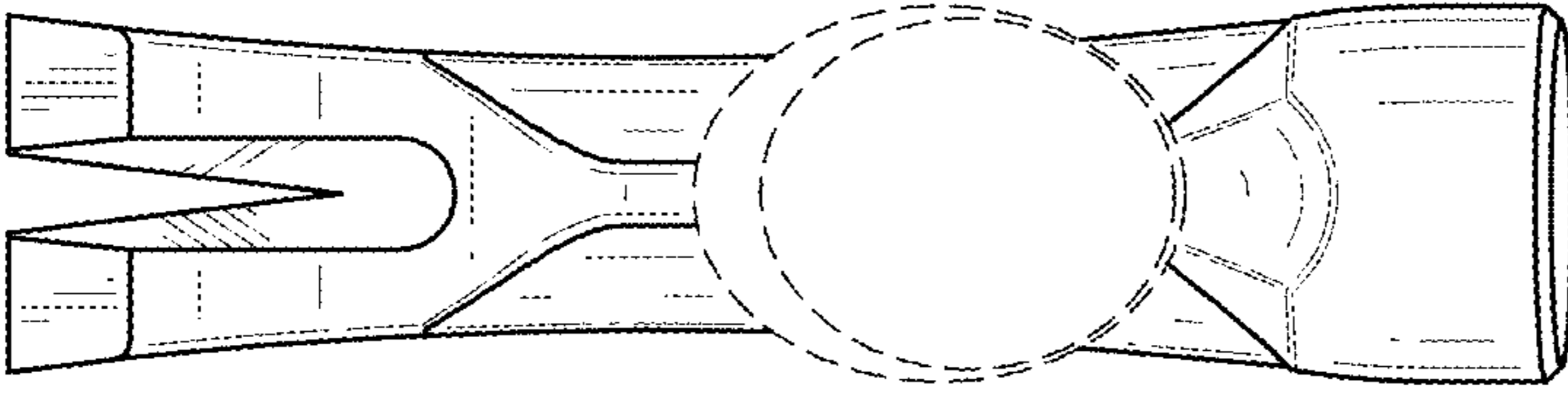


FIG. 5

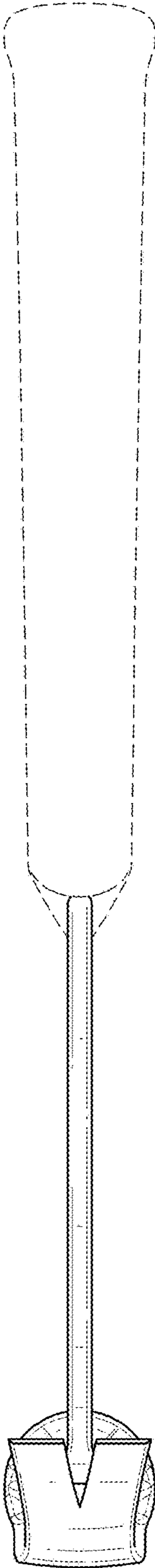


FIG. 6

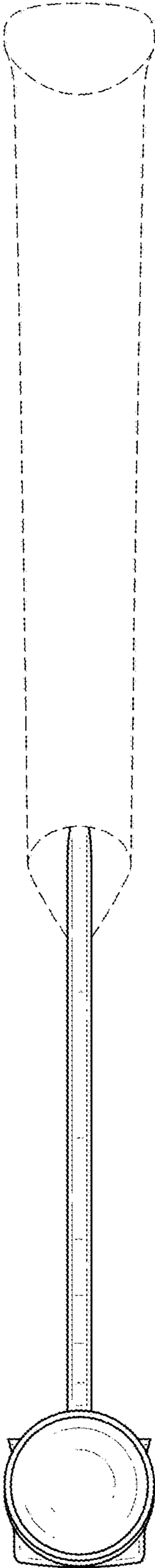


FIG. 7

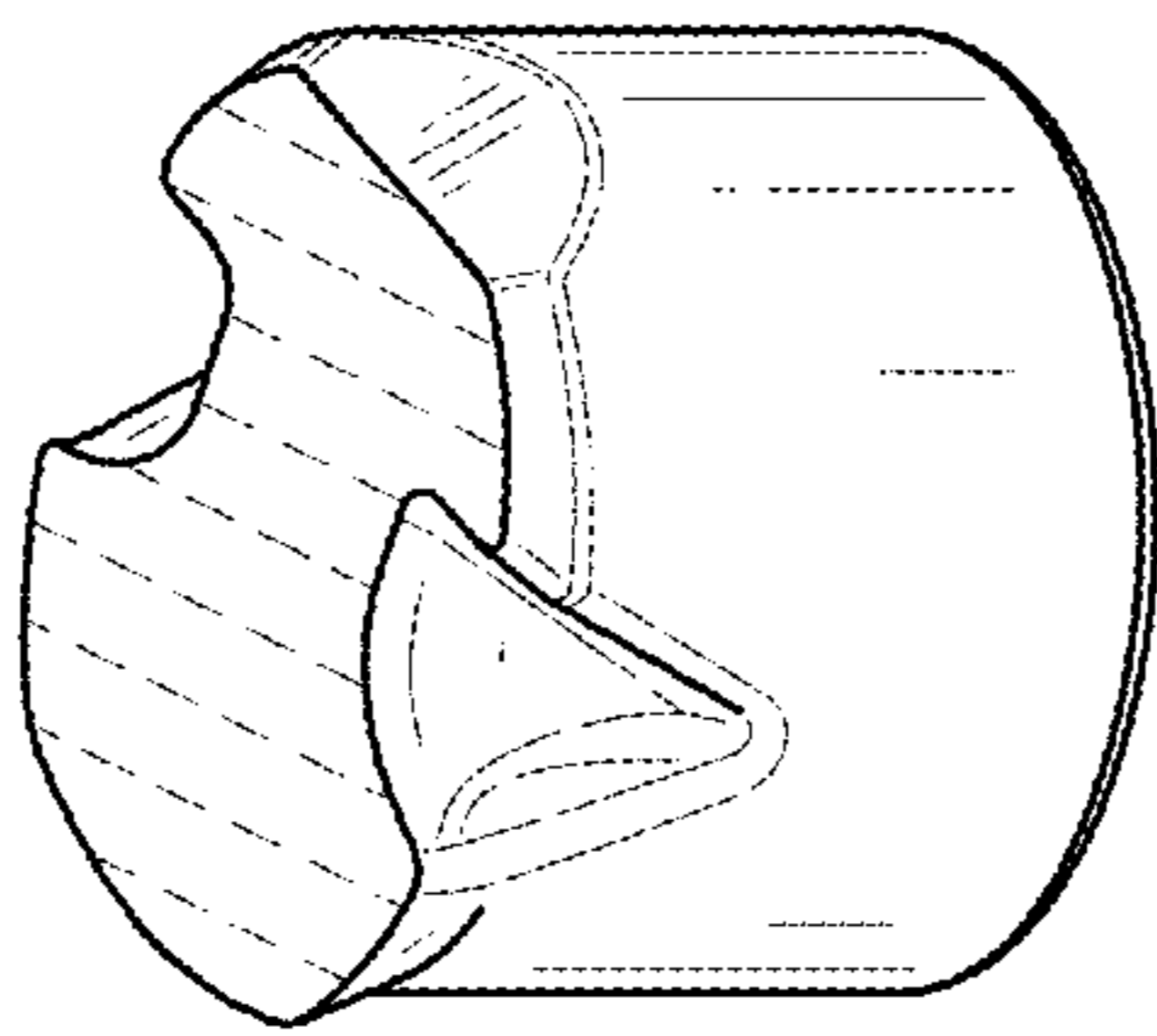


FIG. 9

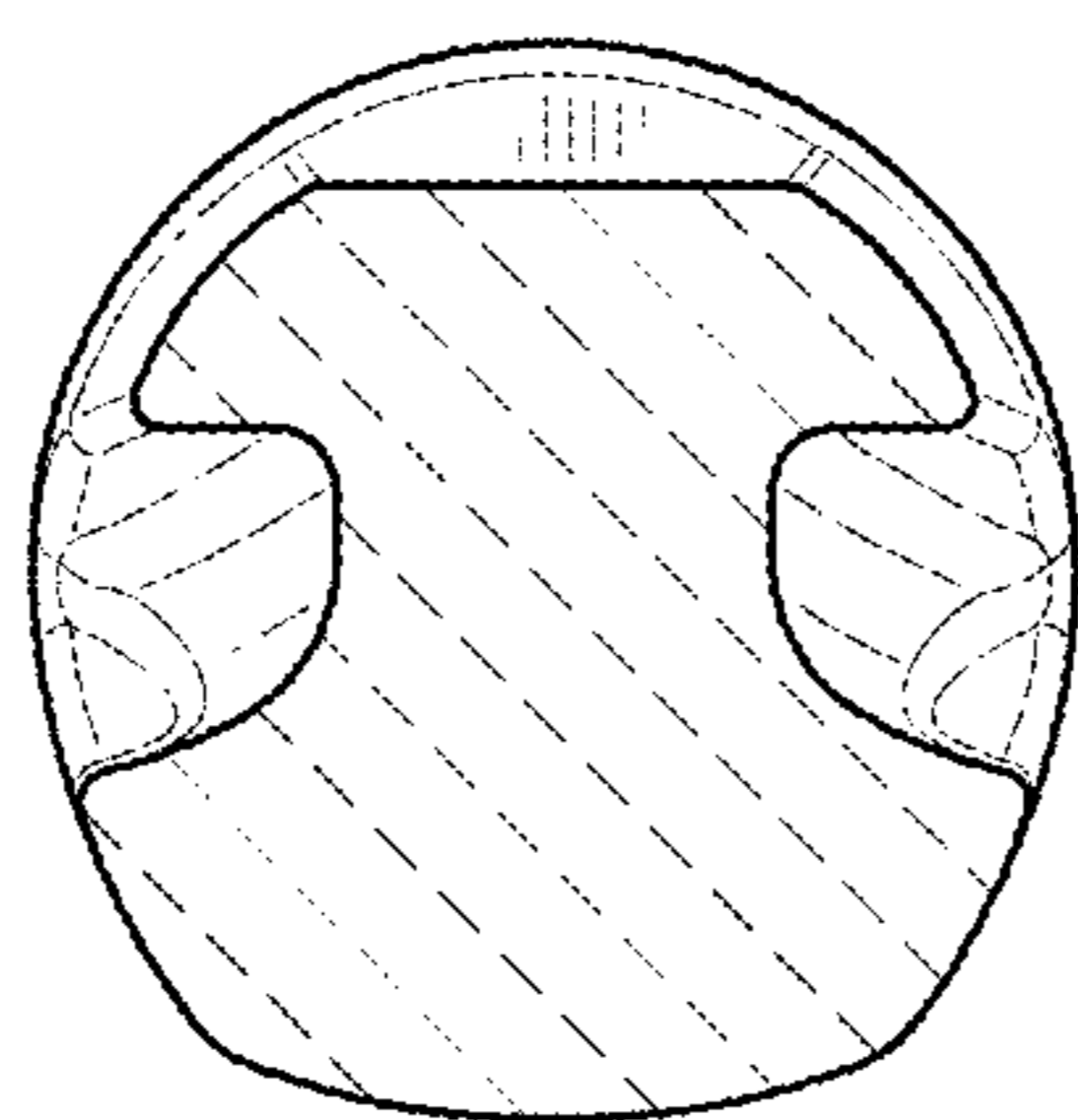


FIG. 8