



US00D781123S

(12) **United States Design Patent**  
**Chen**

(10) **Patent No.:** **US D781,123 S**

(45) **Date of Patent:** **\*\* Mar. 14, 2017**

(54) **HAMMERHEAD**

(71) Applicant: **Yung-Shou Chen**, Taichung (TW)

(72) Inventor: **Yung-Shou Chen**, Taichung (TW)

(\*\*) Term: **15 Years**

(21) Appl. No.: **29/541,460**

(22) Filed: **Oct. 2, 2015**

**Related U.S. Application Data**

(63) Continuation-in-part of application No. 29/452,574, filed on Apr. 18, 2013, now abandoned.

(51) **LOC (10) Cl.** ..... **08-02**

(52) **U.S. Cl.**  
USPC ..... **D8/78**

(58) **Field of Classification Search**  
USPC ..... D8/75-81; D22/117-118; 81/19-24;  
254/26 R, 26 E  
CPC ... B25D 1/00; B25D 1/02; B25D 1/04; B25D  
1/045; B25D 1/06; B25D 1/12; B25G  
1/102  
See application file for complete search history.

(56) **References Cited**

**U.S. PATENT DOCUMENTS**

|              |         |       |       |       |
|--------------|---------|-------|-------|-------|
| D429,985 S * | 8/2000  | Tovar | ..... | D8/78 |
| D497,789 S * | 11/2004 | Hung  | ..... | D8/78 |
| D503,605 S * | 4/2005  | Hung  | ..... | D8/78 |

|              |         |      |       |       |
|--------------|---------|------|-------|-------|
| D505,609 S * | 5/2005  | Hung | ..... | D8/78 |
| D534,409 S * | 1/2007  | Chen | ..... | D8/78 |
| D536,592 S * | 2/2007  | Chen | ..... | D8/78 |
| D603,675 S * | 11/2009 | Chen | ..... | D8/78 |
| D609,547 S * | 2/2010  | Pell | ..... | D8/78 |
| D736,051 S * | 8/2015  | Chen | ..... | D8/78 |

\* cited by examiner

*Primary Examiner* — Philip S. Hyder

*Assistant Examiner* — Roselynn Cody

(74) *Attorney, Agent, or Firm* — Pai Patent & Trademark Law Firm; Chao-Chang David Pai

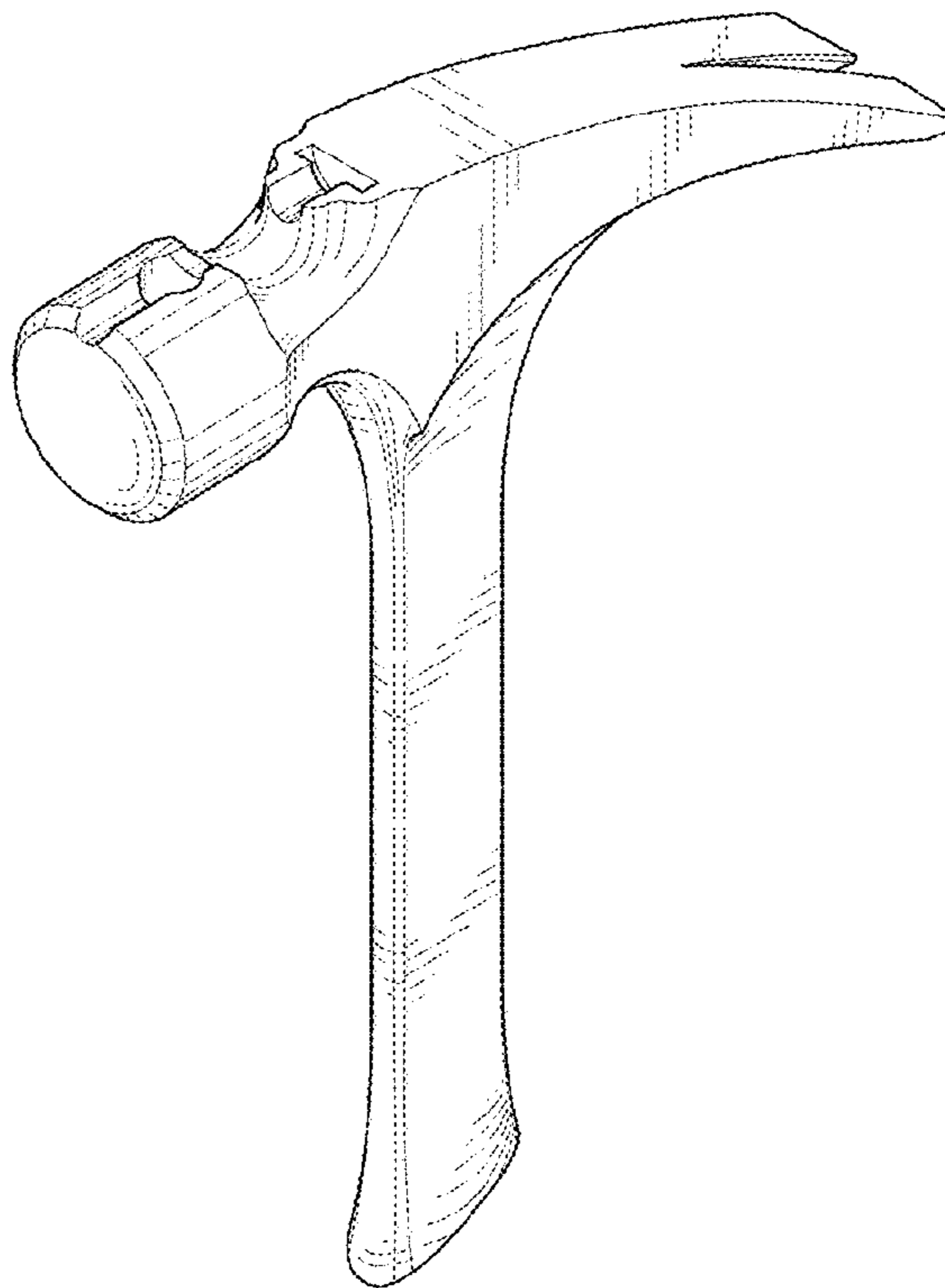
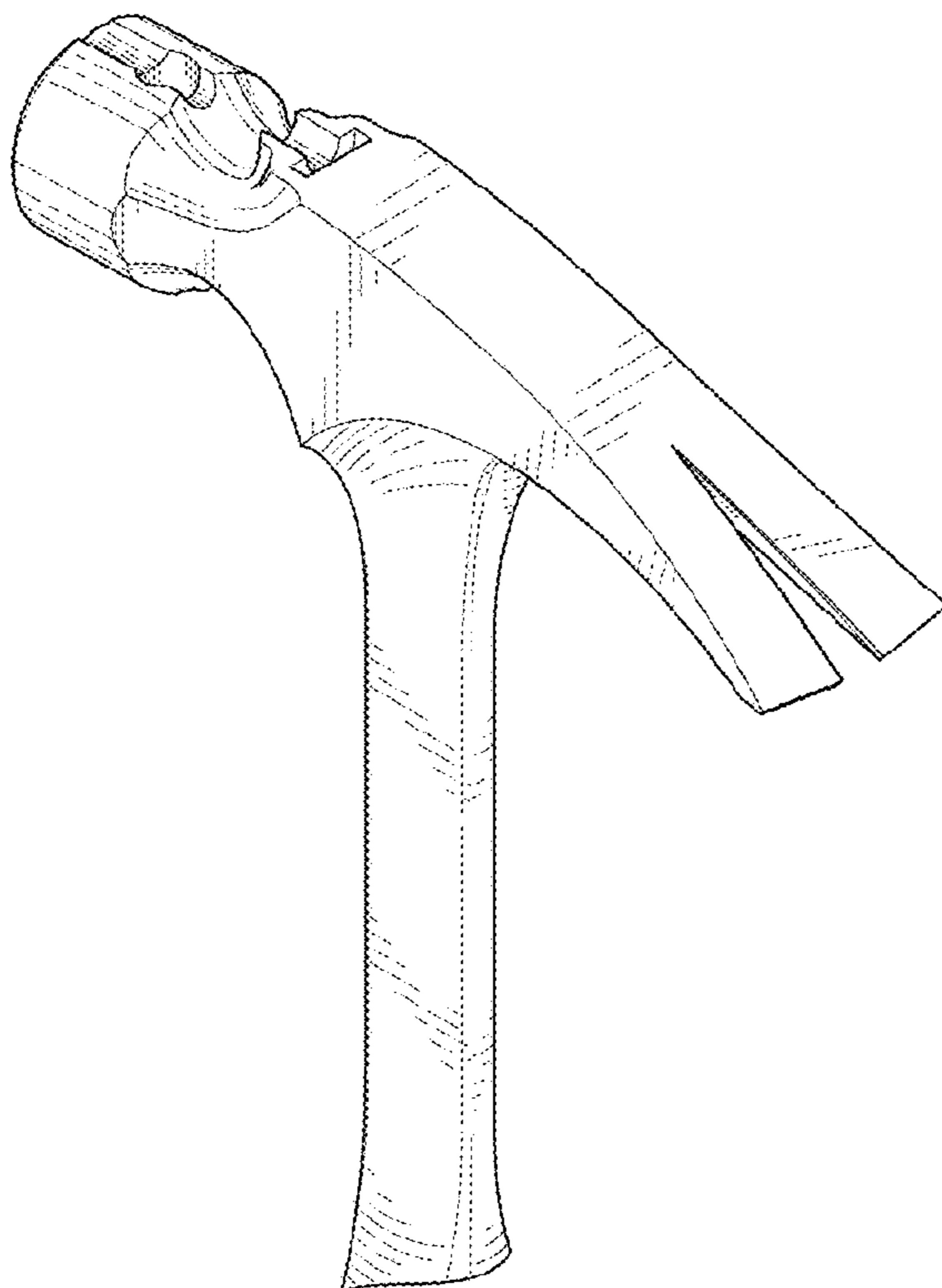
(57) **CLAIM**

The ornamental design for a hammerhead, as shown and described.

**DESCRIPTION**

FIG. 1 is a front right perspective view of a hammerhead, showing my new design;  
FIG. 2 is a front elevational view thereof;  
FIG. 3 is a rear elevational view thereof;  
FIG. 4 is a left side elevational view thereof;  
FIG. 5 is a right side elevational view thereof;  
FIG. 6 is a top plan view thereof;  
FIG. 7 is a bottom plan view thereof;  
FIG. 8 is a front left perspective view thereof; and,  
FIG. 9 is another front right perspective view thereof.  
The broken lines in FIG. 9 showing a hammer handle are directed to environment and form no part of the claim.

**1 Claim, 8 Drawing Sheets**



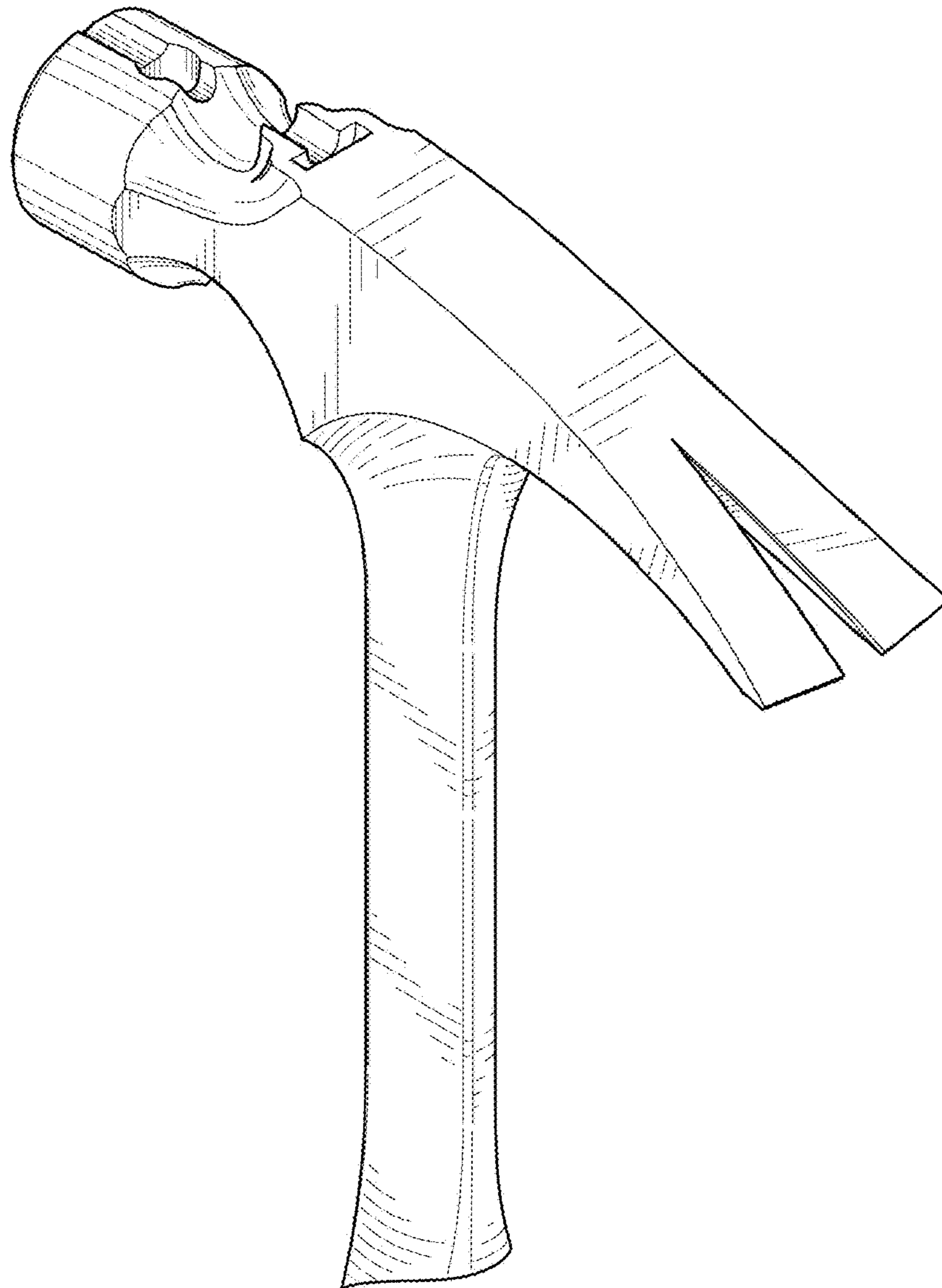


FIG. 1

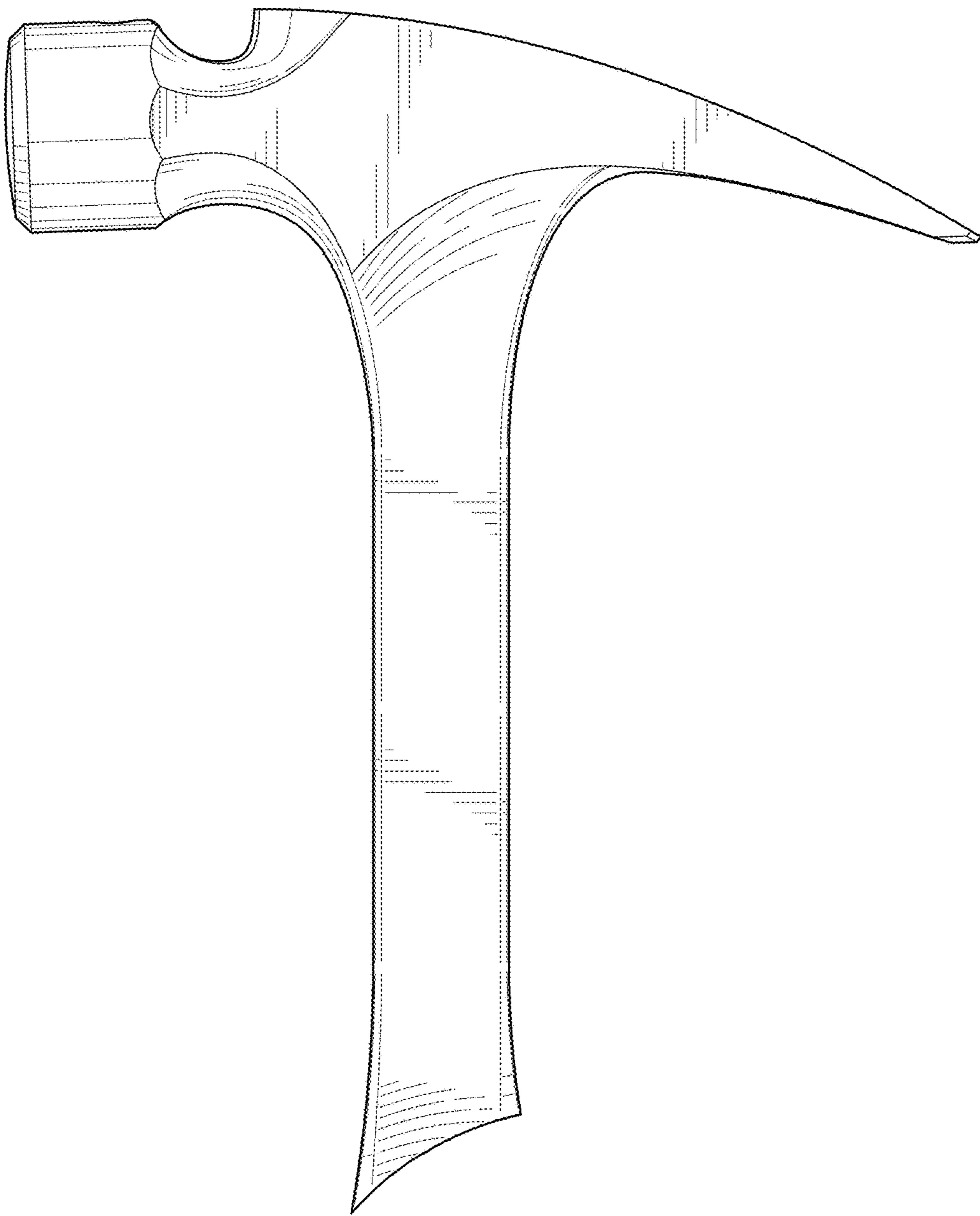


FIG. 2

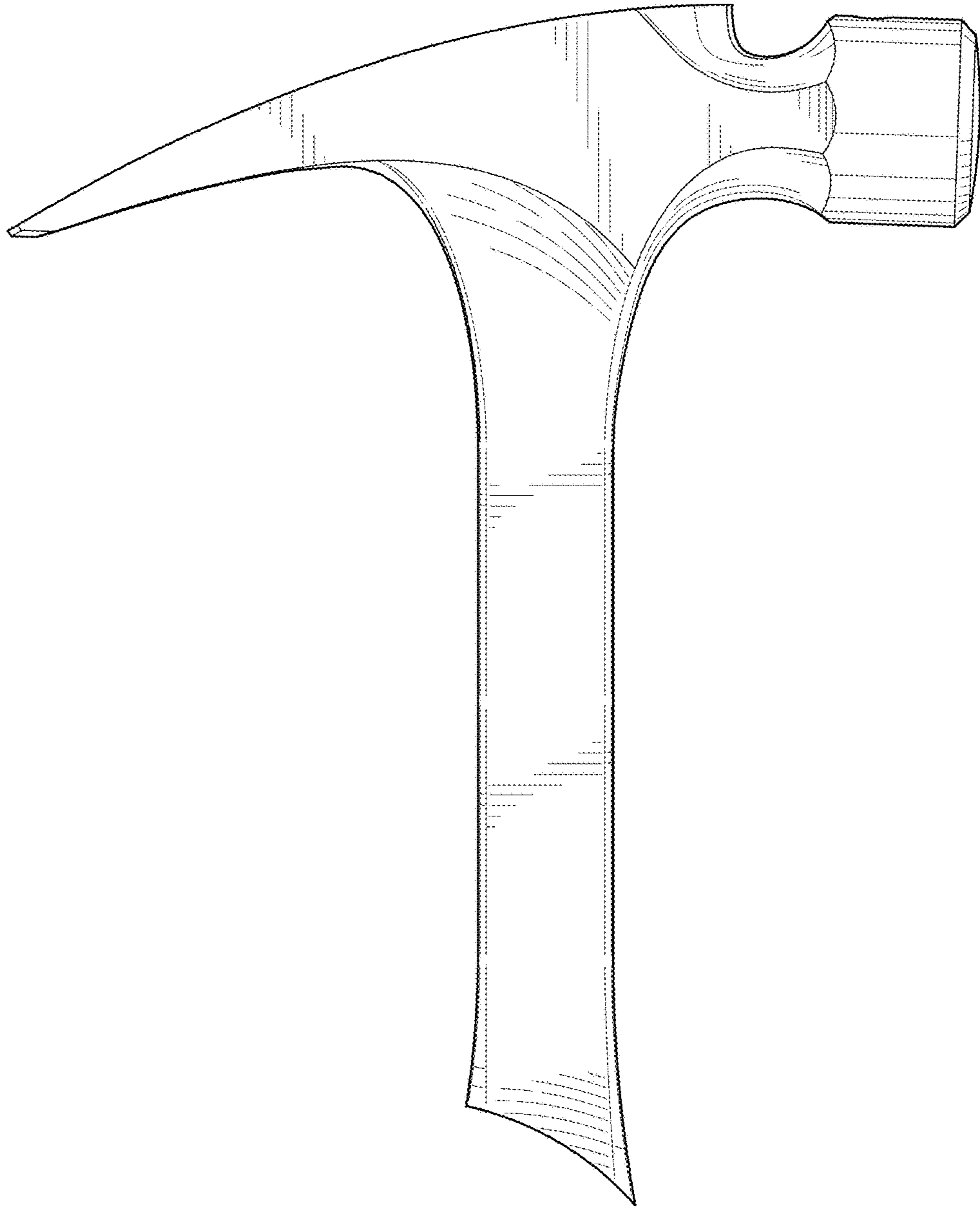


FIG. 3

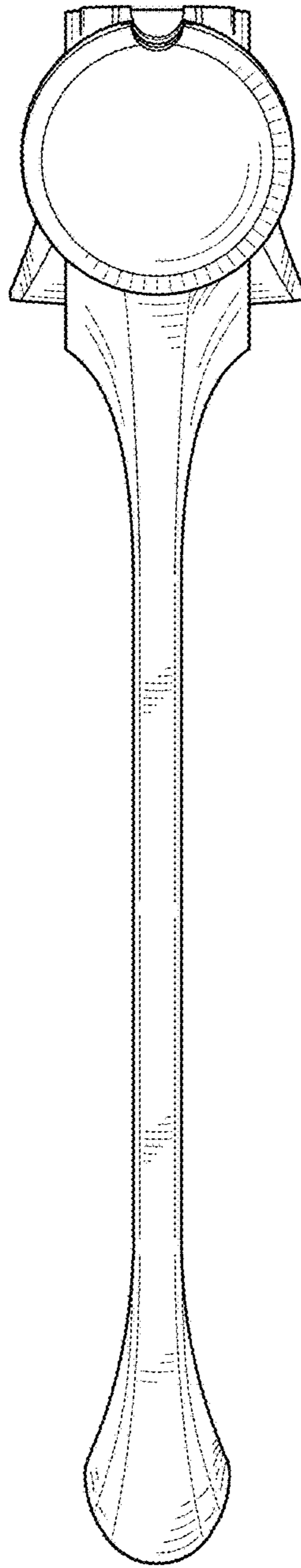


FIG. 4

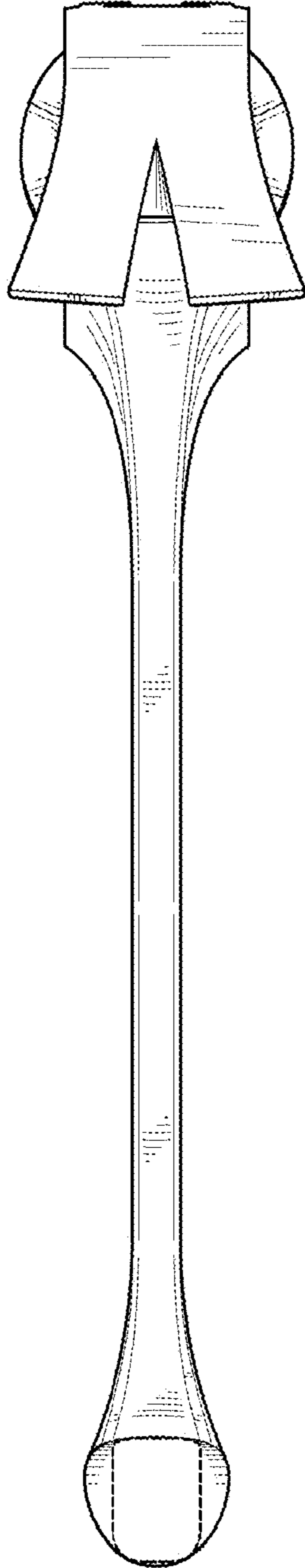


FIG. 5

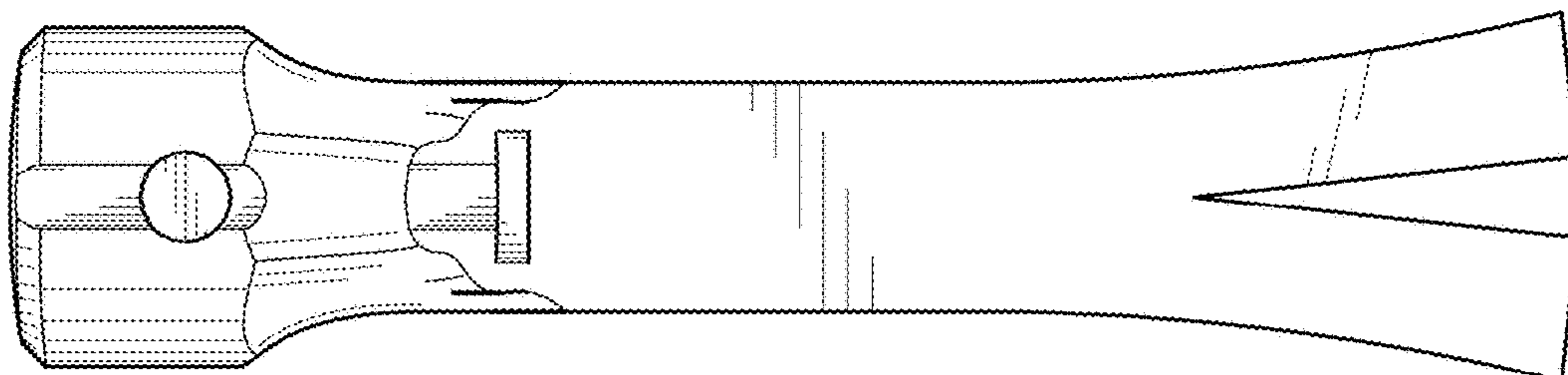


FIG. 6

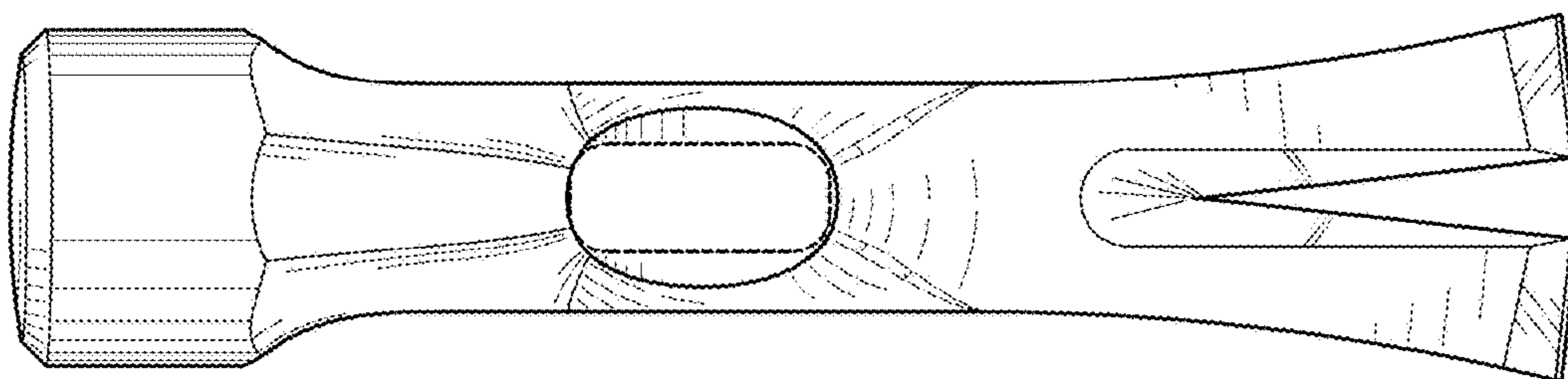


FIG. 7

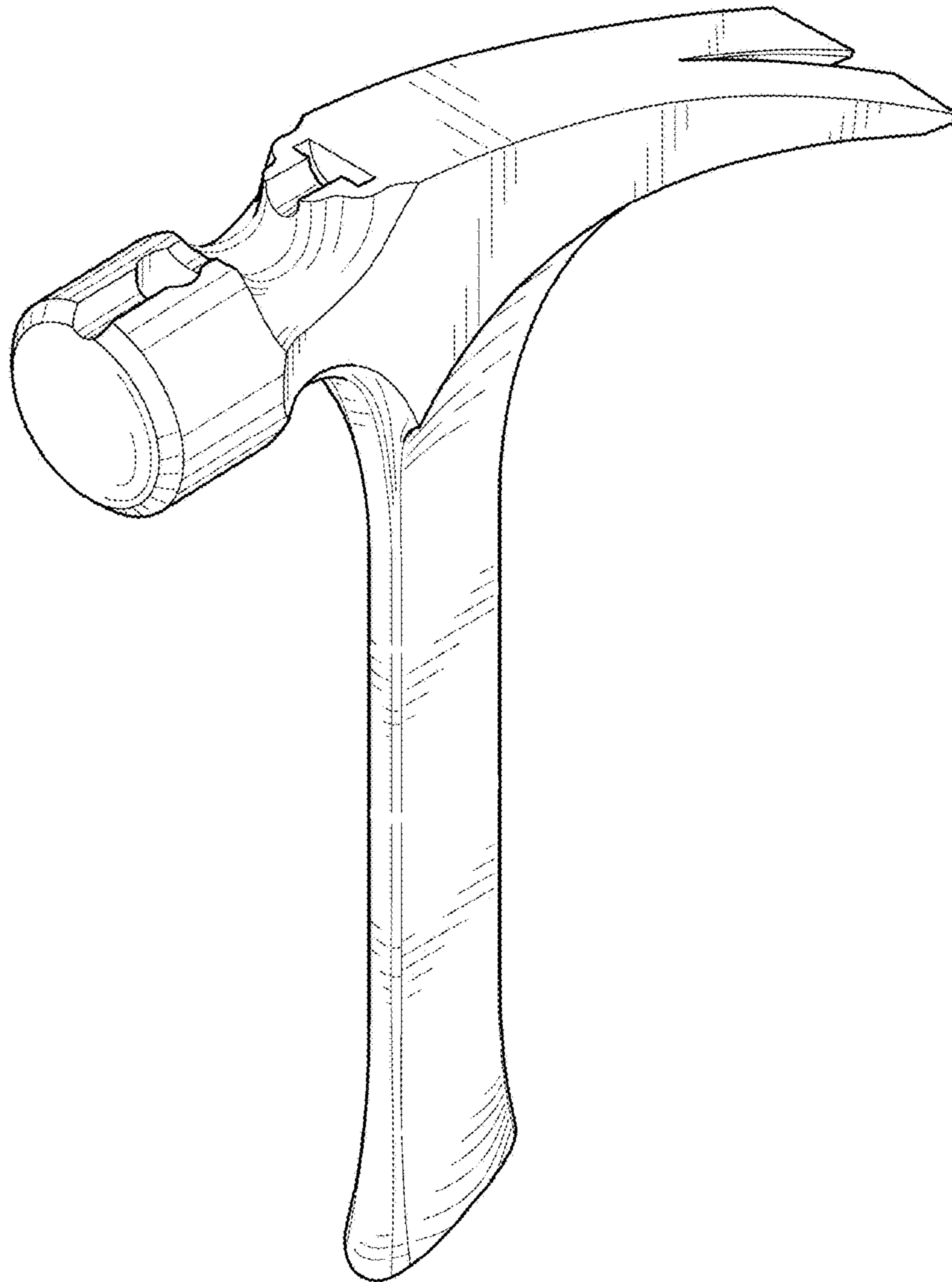


FIG. 8



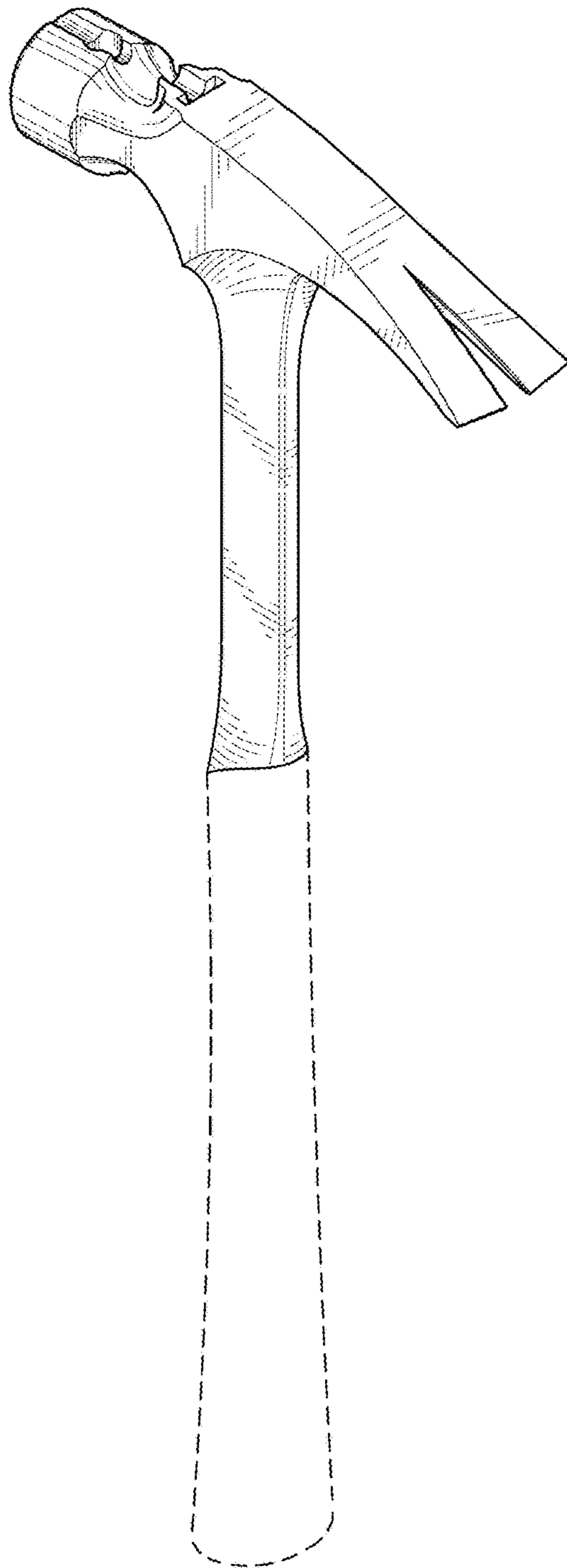


FIG. 9