



US00D781122S

(12) **United States Design Patent**
Zimmerman et al.

(10) **Patent No.:** **US D781,122 S**

(45) **Date of Patent:** **** Mar. 14, 2017**

(54) **UPPER GRIPPER JAW**

(71) Applicant: **Delaware Capital Formation, Inc.**,
Wilmington, DE (US)

(72) Inventors: **Anthony B. Zimmerman**, Shelby
Township, MI (US); **Joshua Moses**,
Charlevoix, MI (US); **Robert W.**
McArthur, Charlevoix, MI (US)

(73) Assignee: **Delaware Capital Formation, Inc.**,
Wilmington, DE (US)

(**) Term: **15 Years**

(21) Appl. No.: **29/539,467**

(22) Filed: **Sep. 15, 2015**

(51) **LOC (10) Cl.** **08-05**

(52) **U.S. Cl.**
USPC **D8/72; D15/28**

(58) **Field of Classification Search**
USPC D15/11, 28; D8/70, 71, 72; 294/203,
294/116, 902
CPC B25J 15/0028; B25J 15/0026; B25J 15/00;
B25J 15/04; B25J 15/0475; B25J
15/0226; B25B 5/087; B25B 5/163; Y10S
901/37; Y10S 294/902
See application file for complete search history.

(56) **References Cited**

U.S. PATENT DOCUMENTS

4,607,873 A	8/1986	Nusbaumer et al.	
D314,896 S *	2/1991	Haynes	D8/22
5,280,981 A *	1/1994	Schulz	B25J 15/103 294/106
5,284,375 A	2/1994	Land, III	
5,853,211 A	12/1998	Sawdon et al.	
5,871,250 A	2/1999	Sawdon	
5,938,259 A	8/1999	Sawdon et al.	
5,941,513 A	8/1999	Moilanen et al.	

6,048,013 A	4/2000	Moilanen et al.
6,176,533 B1	1/2001	Moilanen et al.
6,227,586 B1	5/2001	Moilanen et al.
6,273,408 B1	8/2001	Moilanen et al.

(Continued)

FOREIGN PATENT DOCUMENTS

DE	202004017445	1/2005
DE	10324272	3/2005

(Continued)

Primary Examiner — Mark Goodwin

(74) *Attorney, Agent, or Firm* — Harness, Dickey &
Pierce, P.L.C.

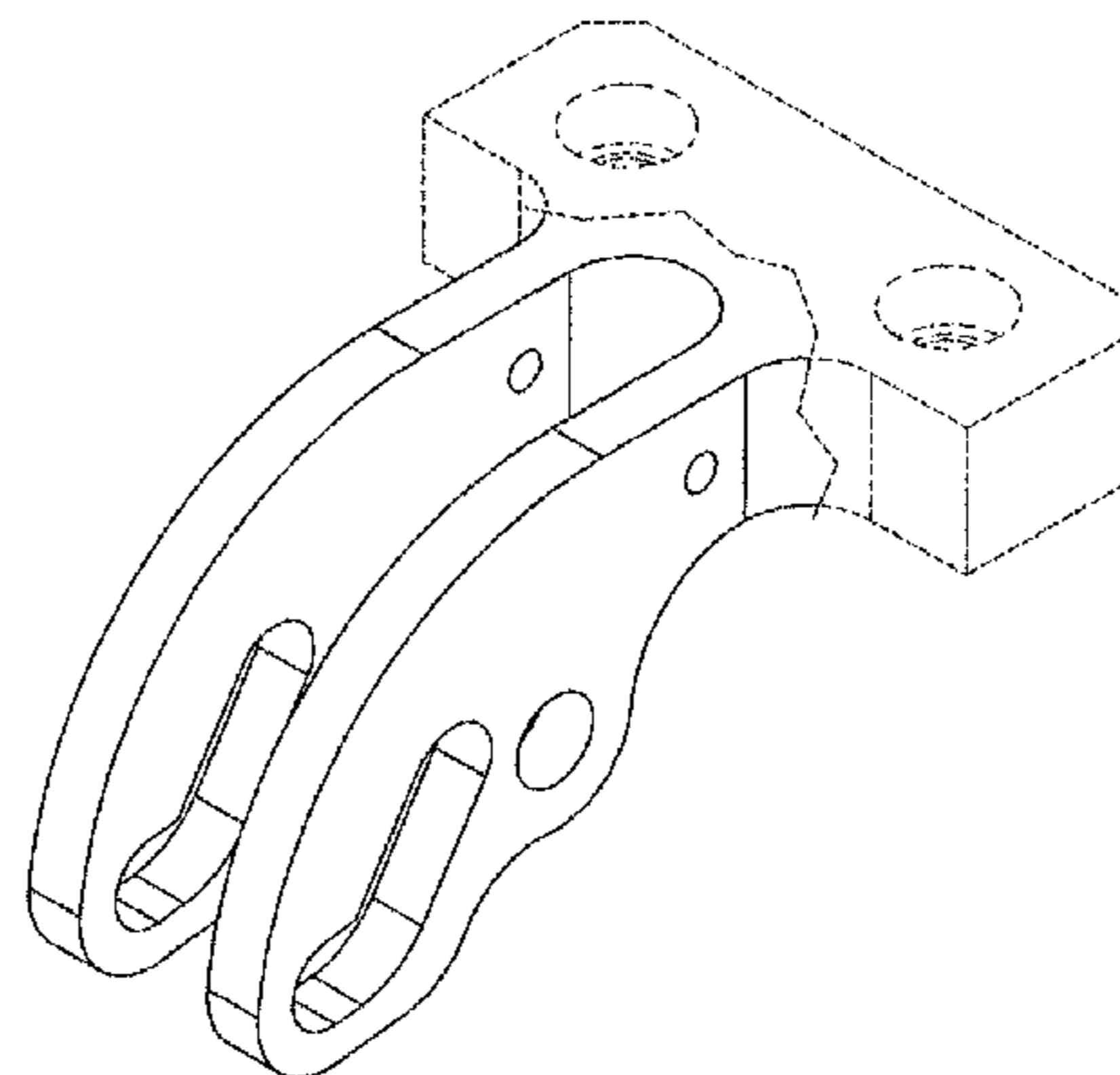
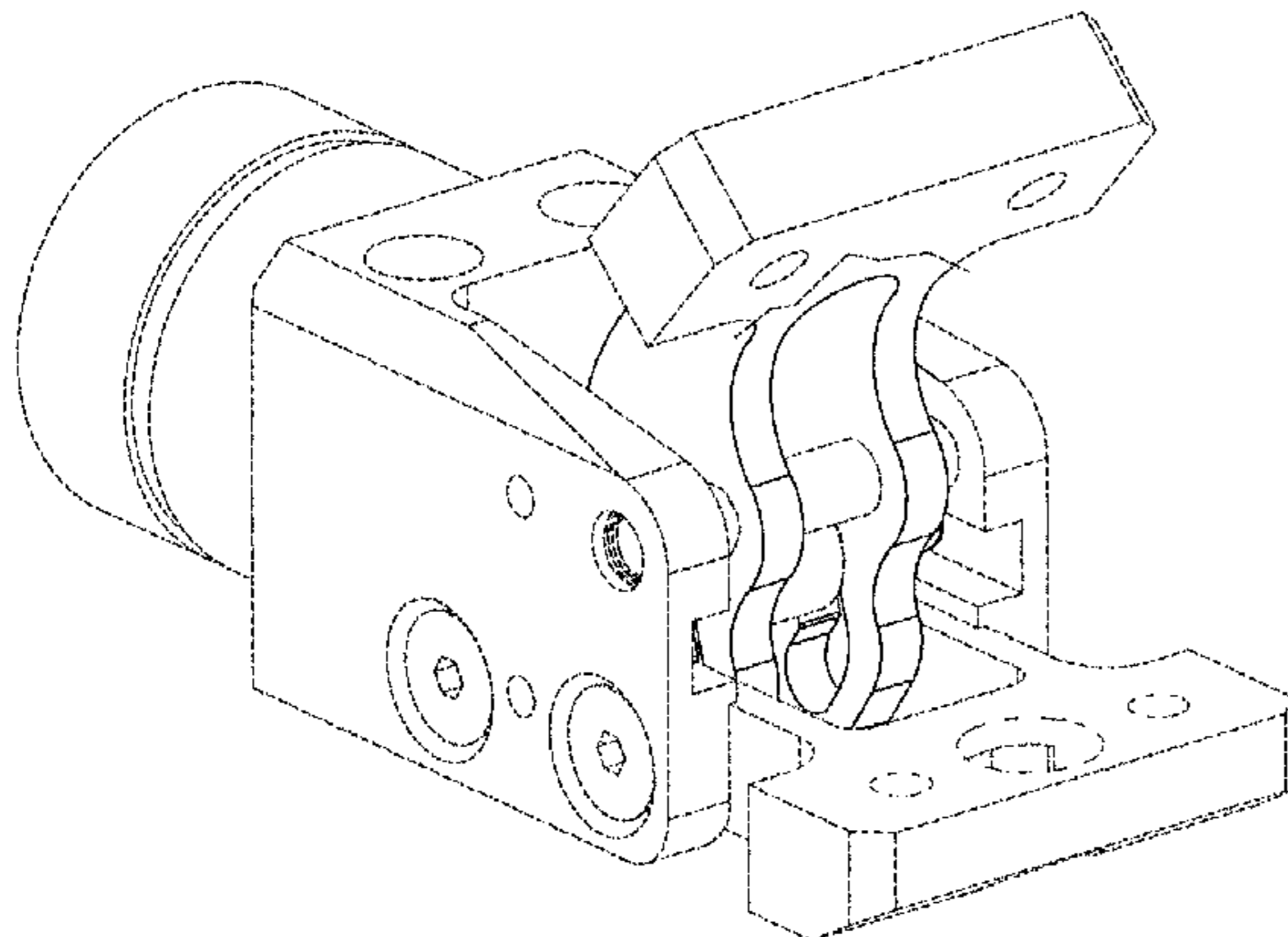
(57) **CLAIM**

The ornamental design for an upper gripper jaw, as shown
and described.

DESCRIPTION

FIG. 1 is a perspective view of the upper gripper jaw in its
environment on a gripper.
FIG. 2 is a rear perspective view of the upper gripper jaw.
FIG. 3 is a left side elevation view of FIG. 2.
FIG. 4 is a rear plan view of FIG. 2.
FIG. 5 is a bottom elevation view of FIG. 2.
FIG. 6 is a front plan view of FIG. 2.
FIG. 7 is a top elevation view of FIG. 2; and,
FIG. 8 is a right side elevation of FIG. 2.
The broken line showing of a gripper body is included for
the purpose of illustrating environmental structure only and
forms no part of the claimed design. The zig zag broken line
that appears on the surface of FIGS. 1-5, 7, and 8 represents
the boundaries of the claim and forms no part of the claimed
design.

1 Claim, 3 Drawing Sheets



(56)

References Cited

U.S. PATENT DOCUMENTS

6,276,733 B1 * 8/2001 Moilanen B25J 15/0475
294/116

6,302,462 B2 * 10/2001 Moilanen 294/116

6,425,616 B2 7/2002 Moilanen et al.

6,530,615 B2 3/2003 Filipiak et al.

6,557,916 B2 5/2003 Moilanen et al.

6,575,512 B2 6/2003 Moilanen et al.

6,588,816 B1 7/2003 Moilanen et al.

7,032,944 B2 4/2006 Moilanen et al.

7,172,230 B2 2/2007 Maffeis

D545,850 S * 7/2007 Gale D15/140

7,396,059 B2 7/2008 Maffeis

7,837,247 B2 * 11/2010 Waldorf B25B 5/087
294/116

7,845,698 B2 12/2010 Jenkins et al.

7,976,087 B2 7/2011 Maffeis

8,070,202 B2 * 12/2011 Waldorf B25B 5/087
294/116

8,104,810 B2 1/2012 Holcomb et al.

8,136,803 B2 * 3/2012 McIntosh B25B 5/122
269/140

8,167,346 B2 5/2012 Filipiak

8,297,673 B2 * 10/2012 Waldorf B25B 5/087
294/116

8,454,069 B2 6/2013 Jenkins et al.

D740,861 S * 10/2015 Aerts D15/28

2001/0006295 A1 7/2001 Moilanen et al.

2001/0015563 A1 * 8/2001 Moilanen B25B 5/087
294/203

2002/0093211 A1 7/2002 Filipiak et al.

2003/0038492 A1 2/2003 Kruger

2003/0116985 A1 * 6/2003 Moilanen B25B 5/087
294/207

2003/0197389 A1 * 10/2003 Moilanen B25B 5/087
294/203

2008/0073922 A1 3/2008 Holtz

2008/0217939 A1 * 9/2008 Jenkins B25J 9/1005
294/116

2008/0237957 A1 10/2008 Waldorf

2009/0108513 A1 4/2009 Hara et al.

2010/0090484 A1 * 4/2010 Filipiak B25J 15/00
294/203

2016/0082601 A1 * 3/2016 Zimmerman B25J 15/0028
294/197

FOREIGN PATENT DOCUMENTS

DE 10338061 3/2005

DE 102004025781 7/2005

DE 102004058994 6/2006

DE 102012003918 8/2013

JP 2002-151889 5/2002

WO WO2014-023286 2/2014

* cited by examiner

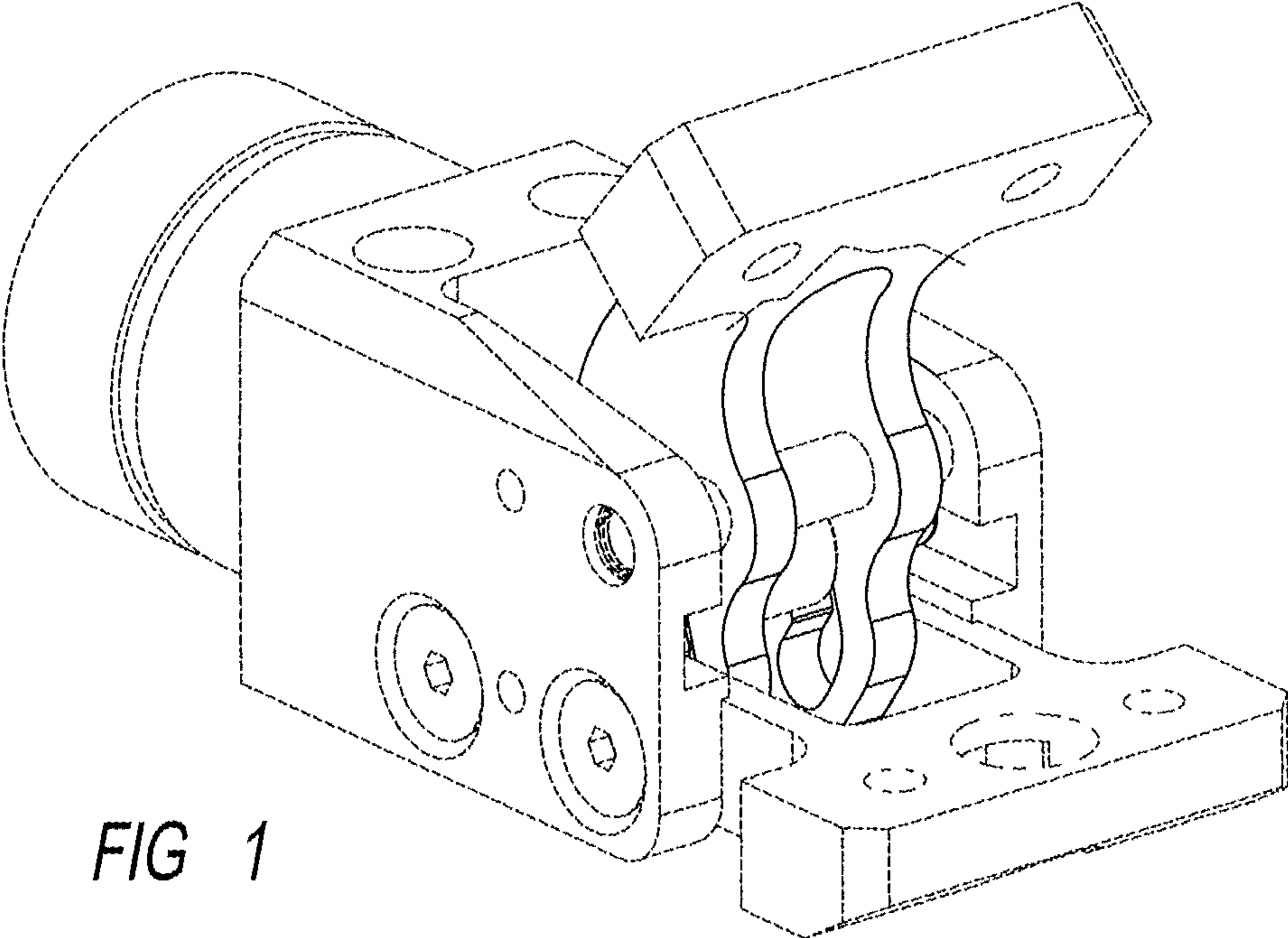


FIG 1

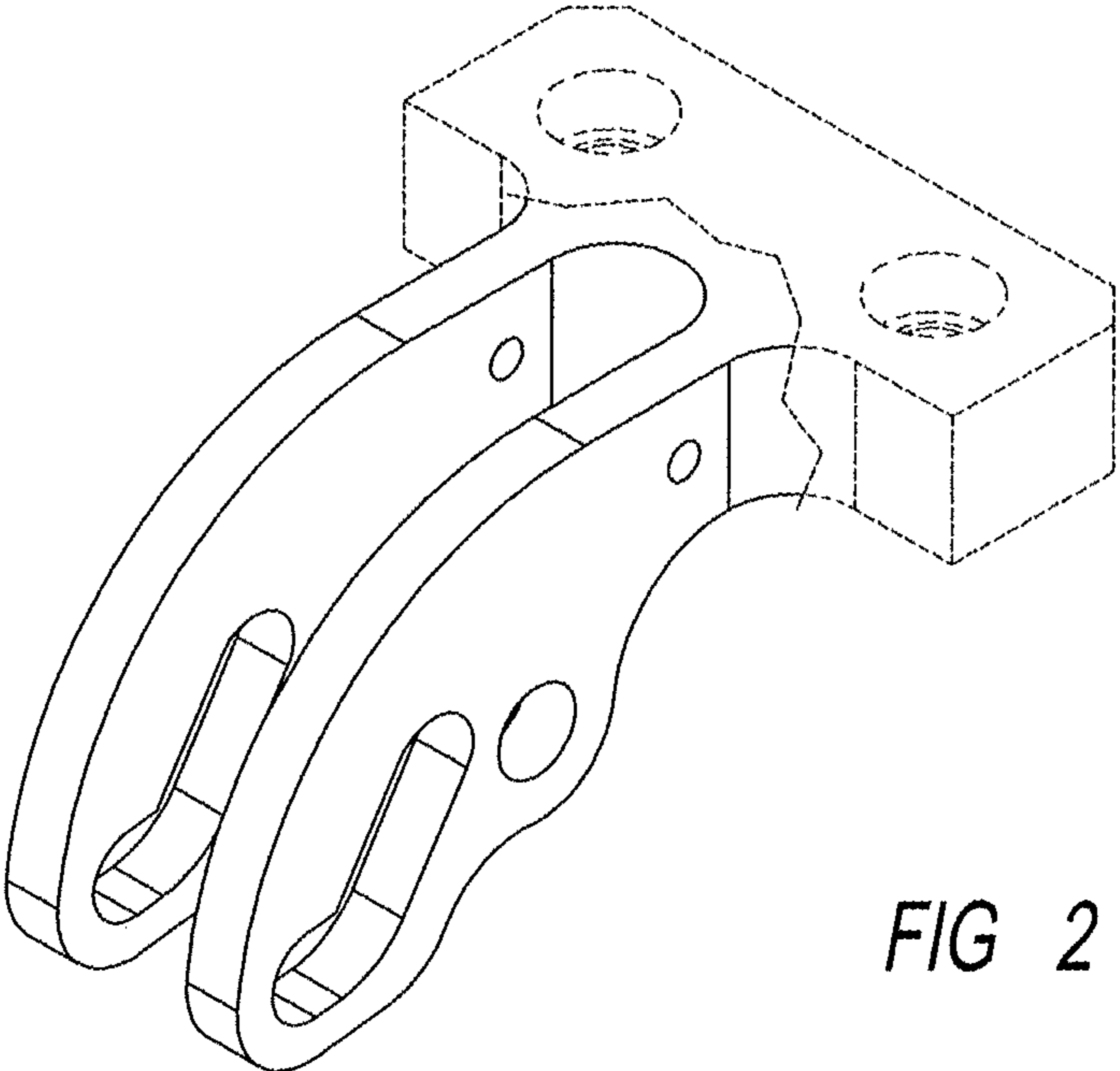


FIG 2

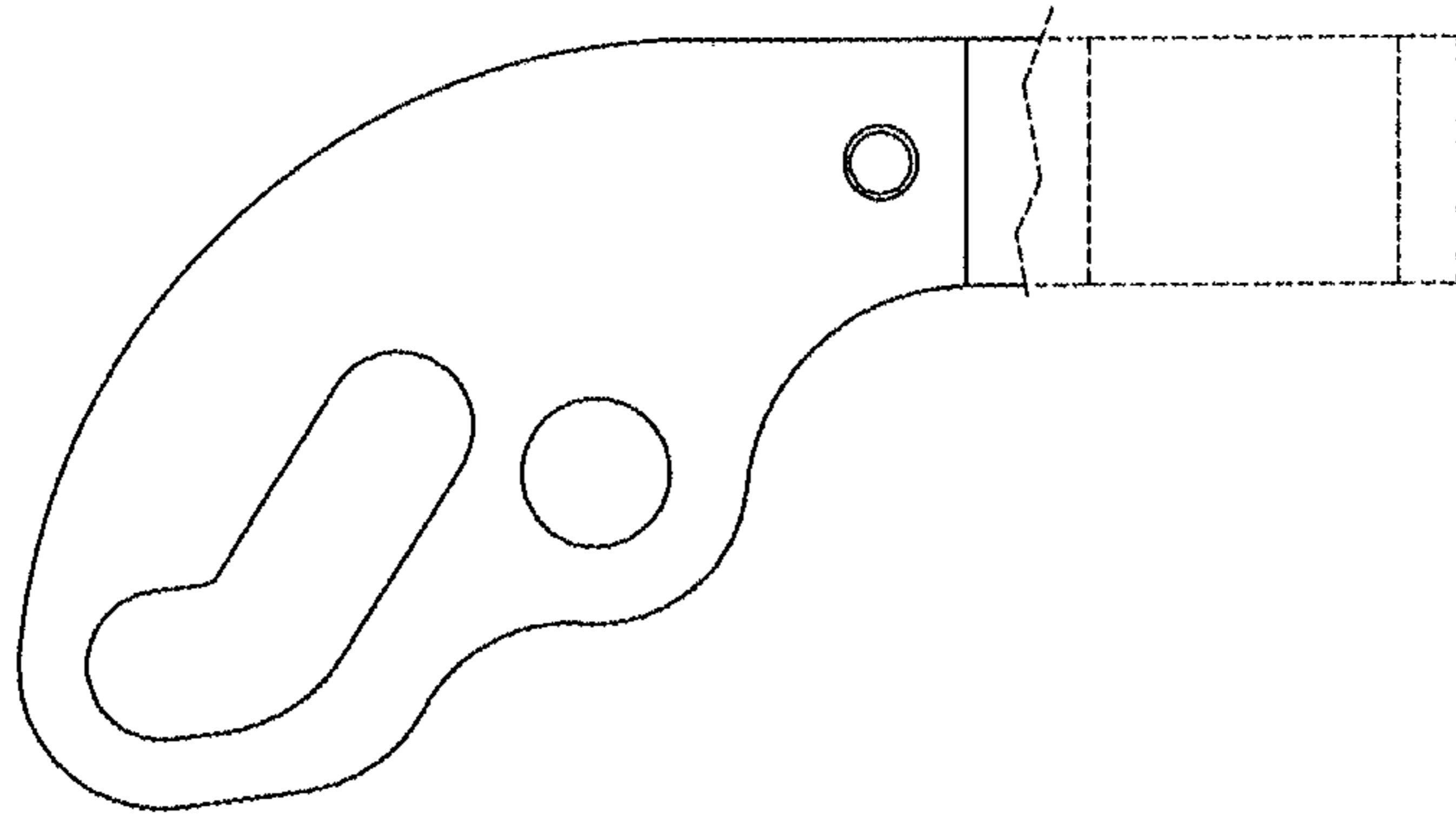


FIG 3

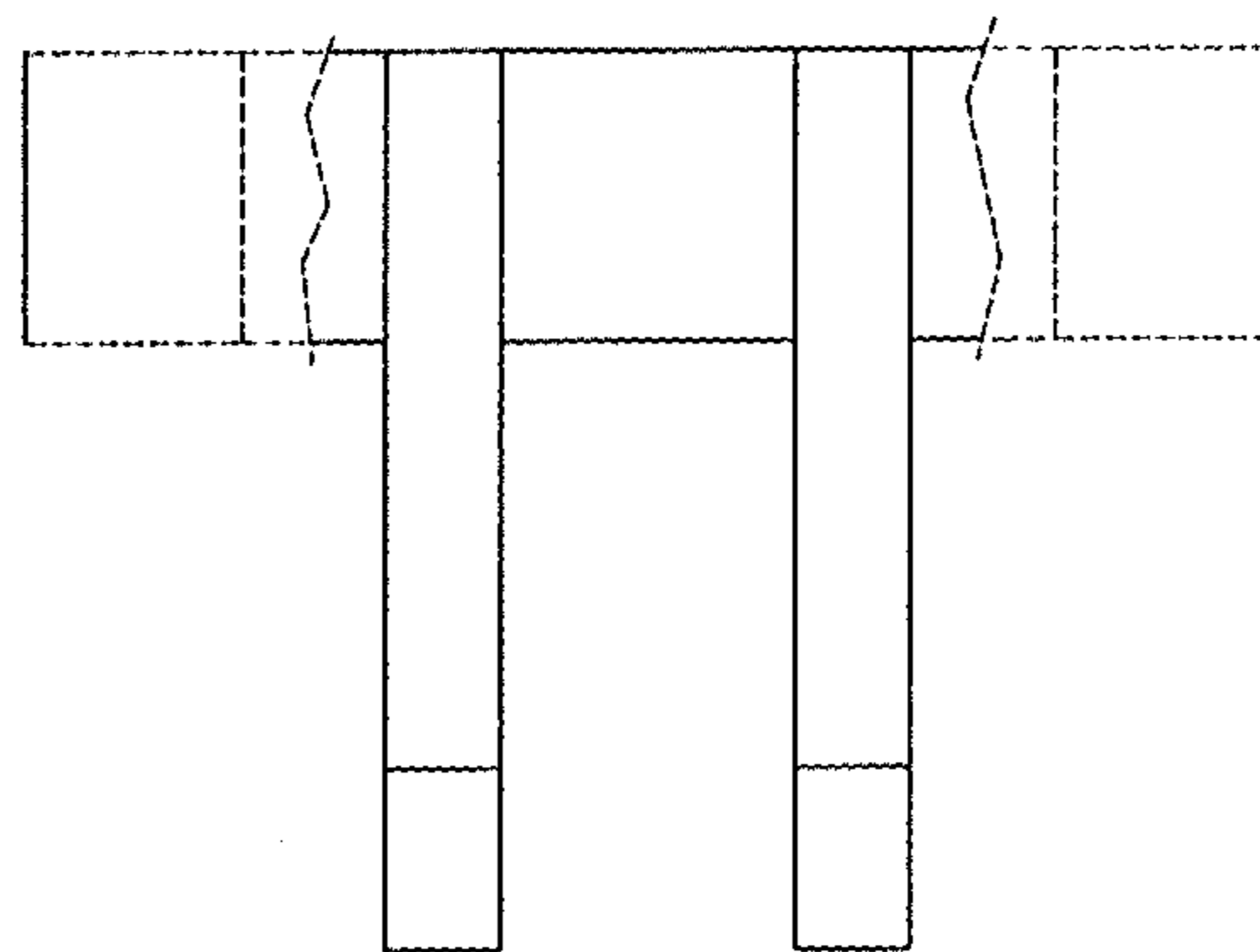


FIG 4

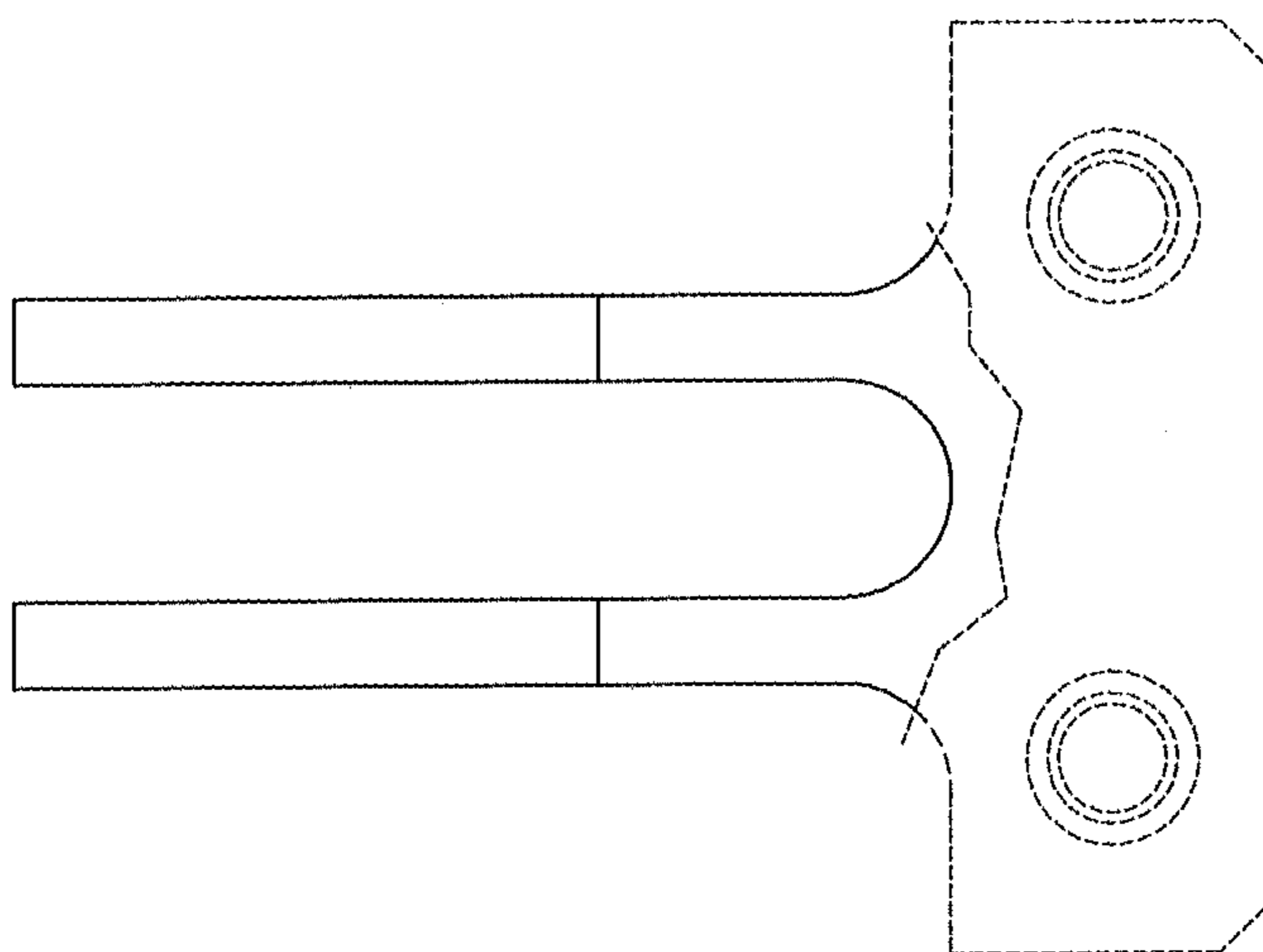


FIG 5

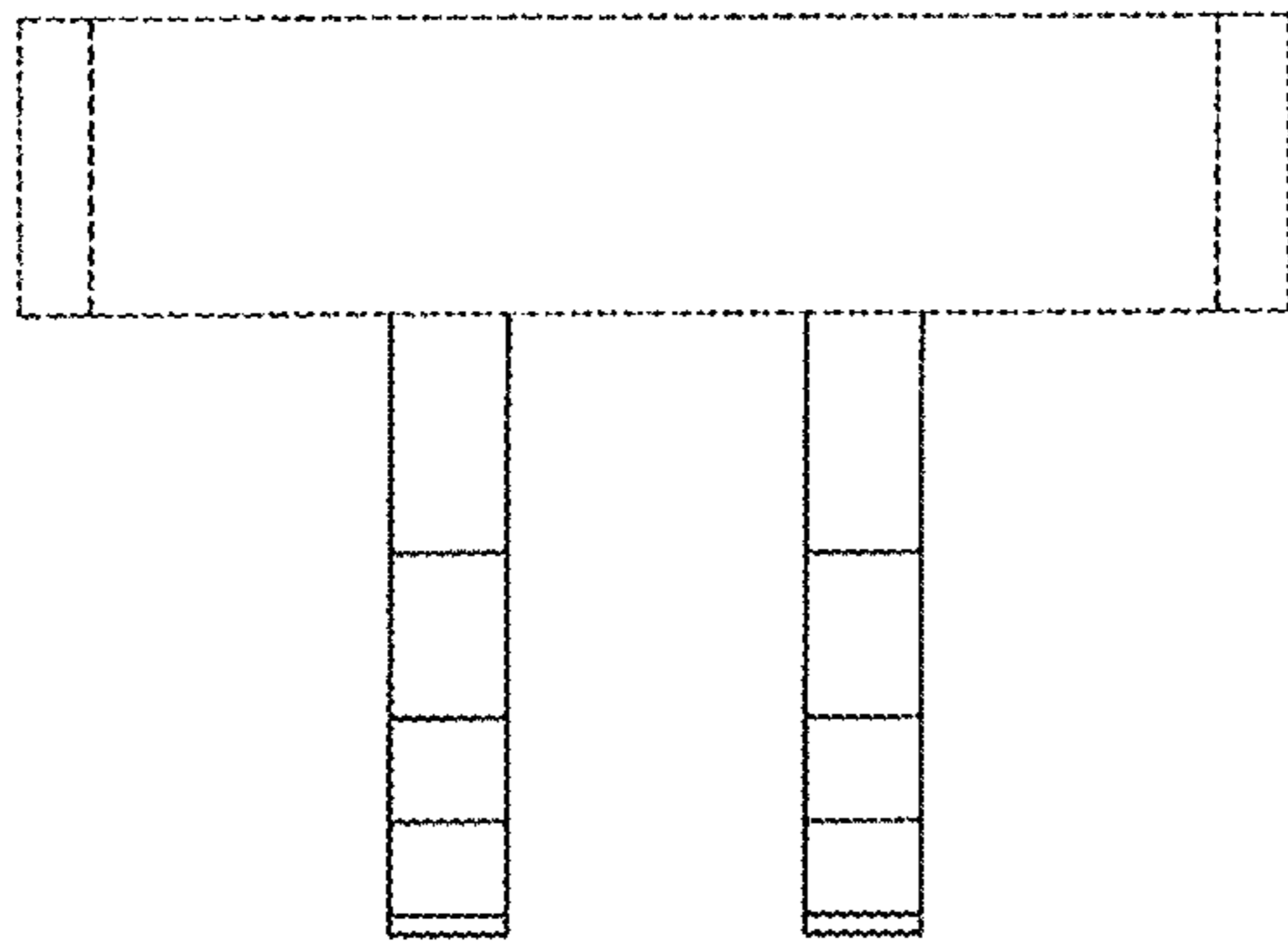


FIG 6

FIG 7

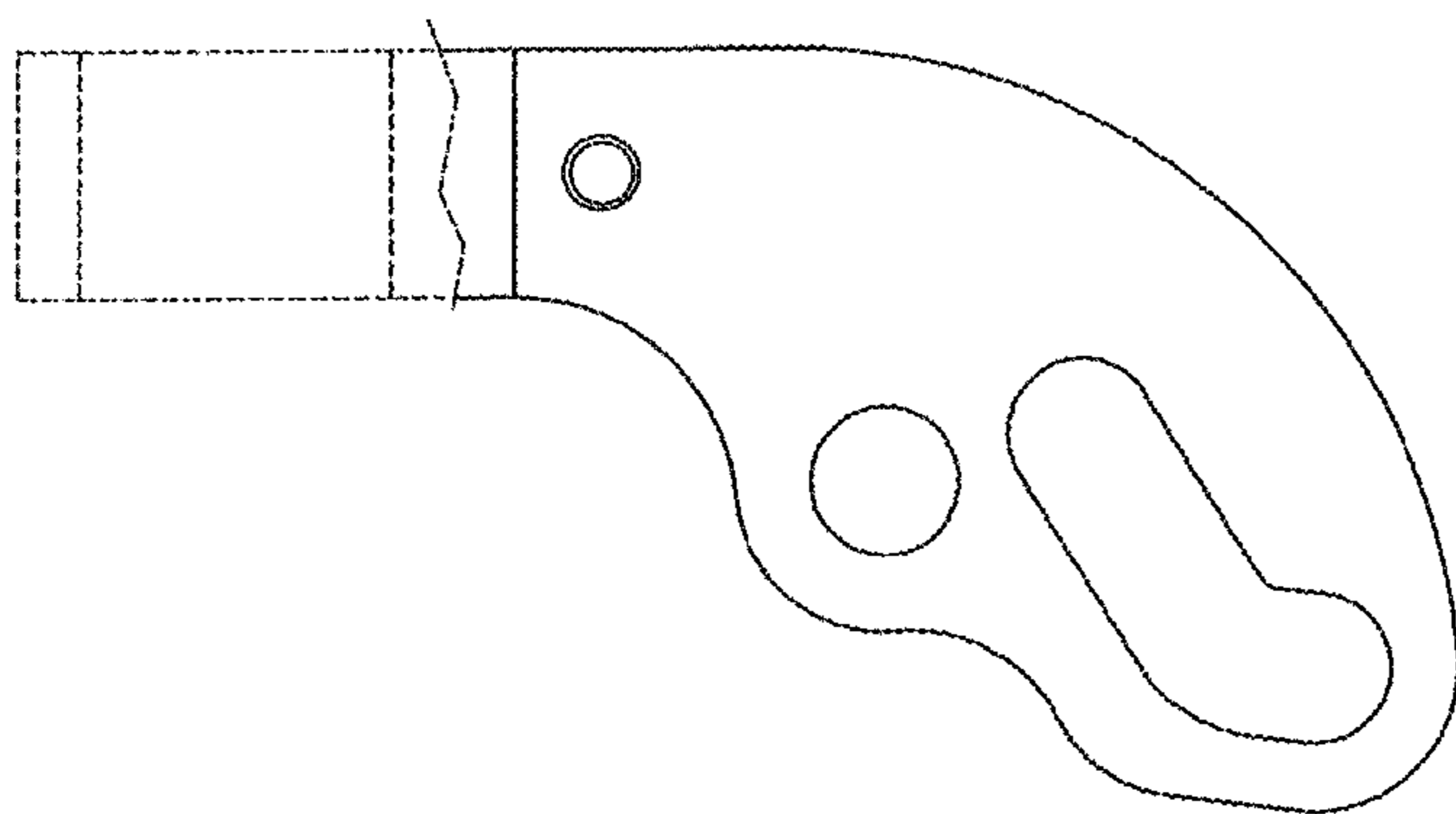
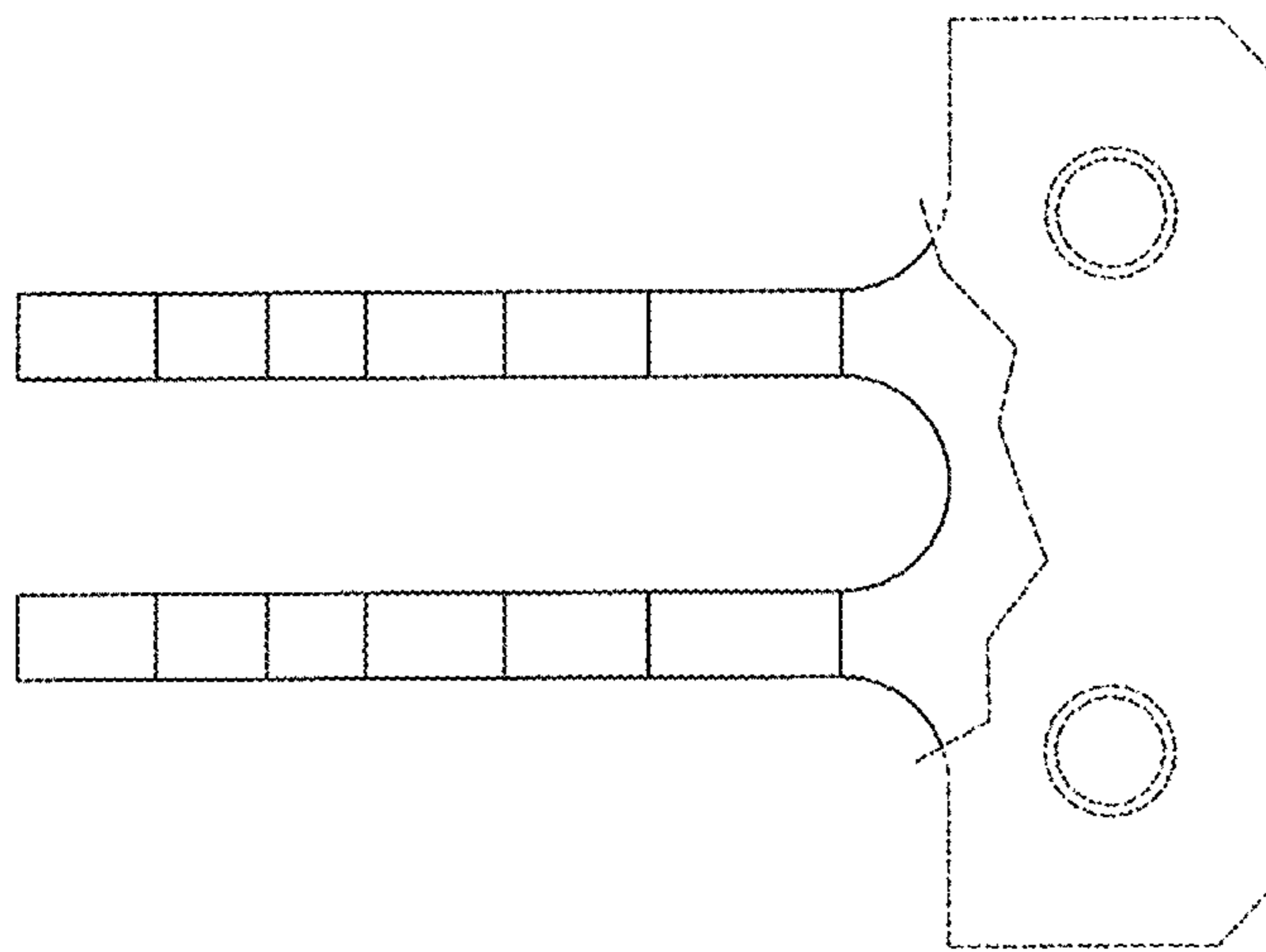


FIG 8