



US00D781121S

(12) **United States Design Patent**
King

(10) **Patent No.: US D781,121 S**

(45) **Date of Patent: ** *Mar. 14, 2017**

- (54) **RIVET SETTING TOOL**
- (71) Applicant: **Avdel UK Limited**, Hertfordshire (GB)
- (72) Inventor: **Richard King**, Hertfordshire (GB)
- (73) Assignee: **Avdel UK Limited** (GB)

6,732,563 B1 * 5/2004 Chen B21J 15/043
29/243.53
6,978,526 B1 * 12/2005 Lin B21J 15/105
29/243.523
D515,377 S * 2/2006 Chung D8/68
D521,339 S * 5/2006 Chen D8/68
D521,340 S * 5/2006 Lin D8/68
7,082,657 B1 * 8/2006 Lin B21J 15/043
29/243.523

(*) Notice: This patent is subject to a terminal disclaimer.

(Continued)

(**) Term: **14 Years**

(21) Appl. No.: **29/520,370**

(22) Filed: **Mar. 13, 2015**

(30) **Foreign Application Priority Data**

Oct. 20, 2014 (EM) 001423909

(51) **LOC (10) Cl.** **08-03**

(52) **U.S. Cl.**
USPC **D8/68**

(58) **Field of Classification Search**
USPC D8/61, 67, 68; 81/57.4, 489; 173/48,
173/109, 170, 178, 217; 408/124, 125;
362/119; 475/149
CPC . B21J 15/043; B21J 15/22; B21J 15/36; B21J
15/326

See application file for complete search history.

(56) **References Cited**

U.S. PATENT DOCUMENTS

D198,230 S * 5/1964 Babel D8/68
D256,658 S * 9/1980 Ewig D8/61
4,571,976 A * 2/1986 Schwab B25B 27/0014
72/114
5,100,023 A * 3/1992 Varian B21J 15/32
221/239
6,276,037 B1 * 8/2001 Solfronk B21J 15/105
29/243.525
D462,883 S * 9/2002 Steiner D8/68

OTHER PUBLICATIONS

“Avdel nG2 3.2mm—5mm Riveter.” Parton Fasteners., Aug. 13, 2014 [online], [retrieved on Mar. 12, 2016]. Retrieved from the Internet <URL: <https://www.part-on.co.uk/product/avdel-ng2-riveter/>>.*

Primary Examiner — Philip S Hyder

Assistant Examiner — Darlington Ly

(74) *Attorney, Agent, or Firm* — Kofi Schulerbrandt; Michael P. Leary

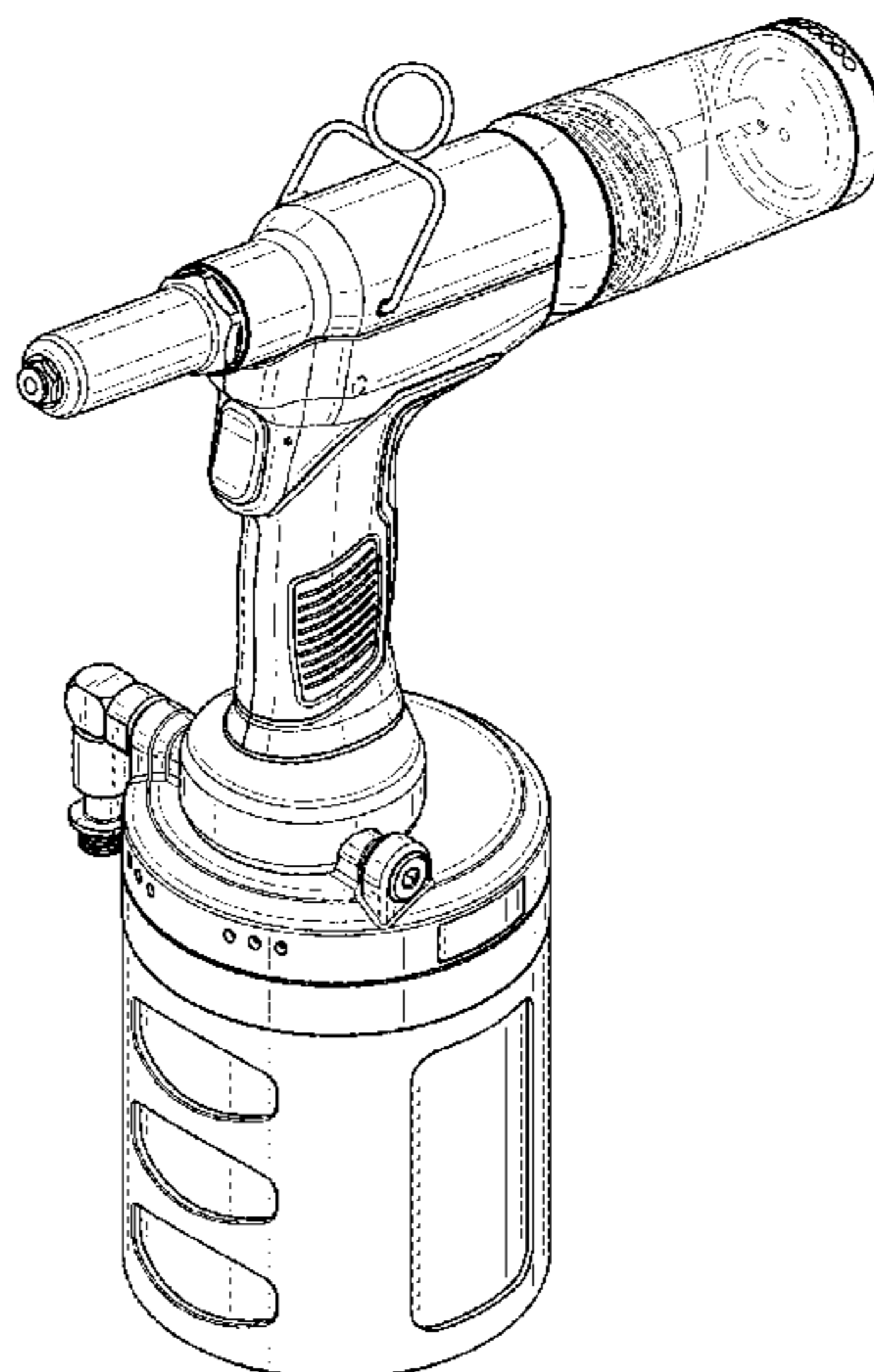
(57) **CLAIM**

The ornamental design for a rivet setting tool, as shown and described.

DESCRIPTION

FIG. 1 is top, front and right-side perspective view of an rivet setting tool showing my new design;
FIG. 2 is a front elevation view thereof;
FIG. 3 is a rear elevation view thereof;
FIG. 4 is a left side elevation view thereof;
FIG. 5 is a right side elevation view thereof;
FIG. 6 is a top plan view thereof; and,
FIG. 7 is a bottom plan view thereof.
The broken lines in the drawings illustrate portions of the rivet setting tool that forms no part of the claimed design.

1 Claim, 7 Drawing Sheets



(56)

References Cited

U.S. PATENT DOCUMENTS

7,284,404 B2 * 10/2007 Lin B25B 27/0014
29/243.525
7,818,858 B2 * 10/2010 Daniels F16G 3/16
198/844.2
D681,413 S * 5/2013 Kita D8/61
8,443,512 B2 * 5/2013 Masugata B21J 15/043
29/243.521

* cited by examiner

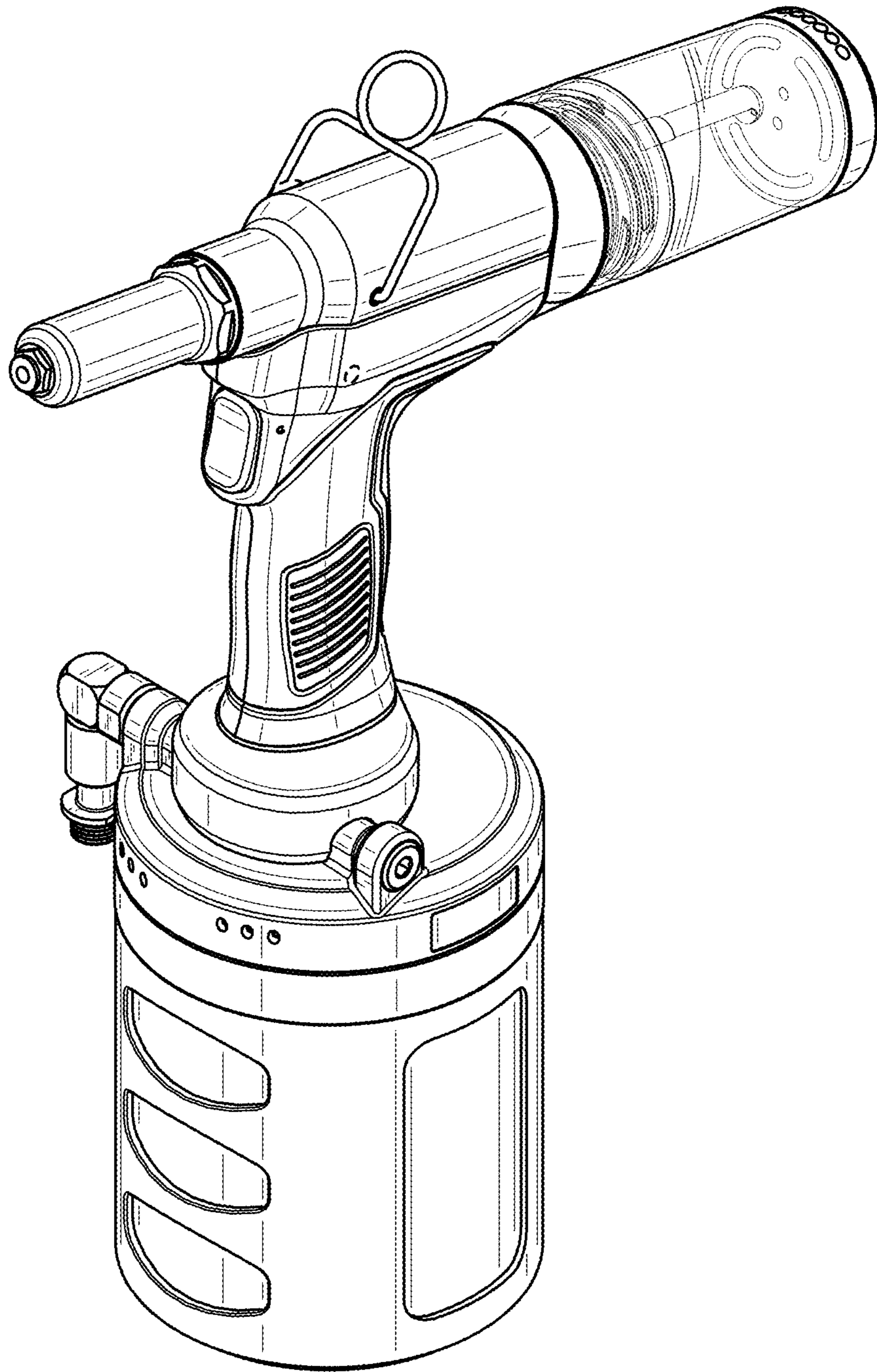


FIG. 1

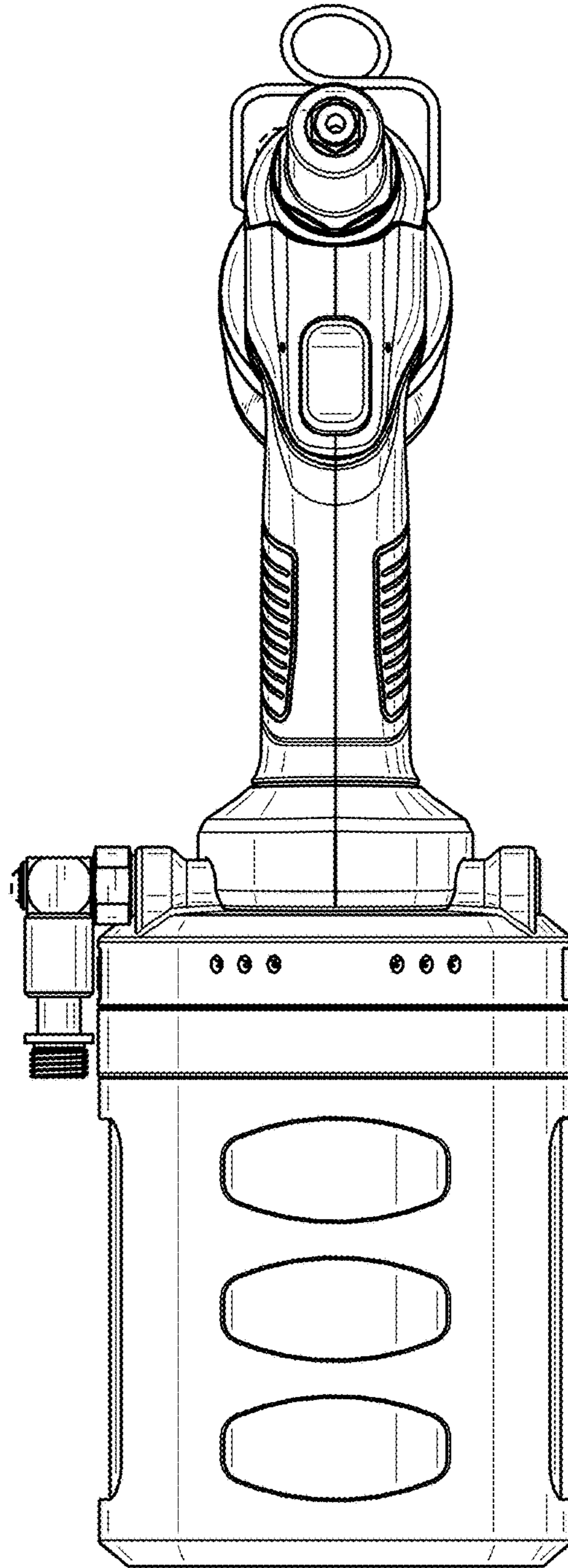


FIG. 2

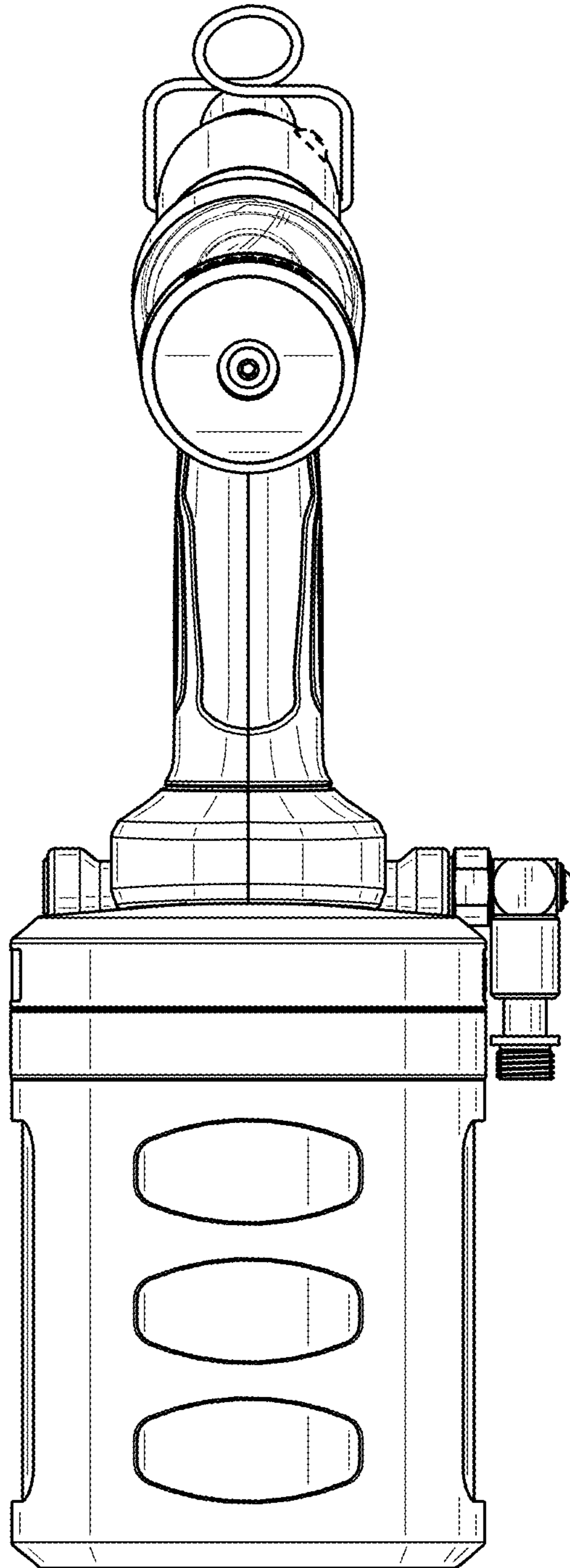


FIG. 3

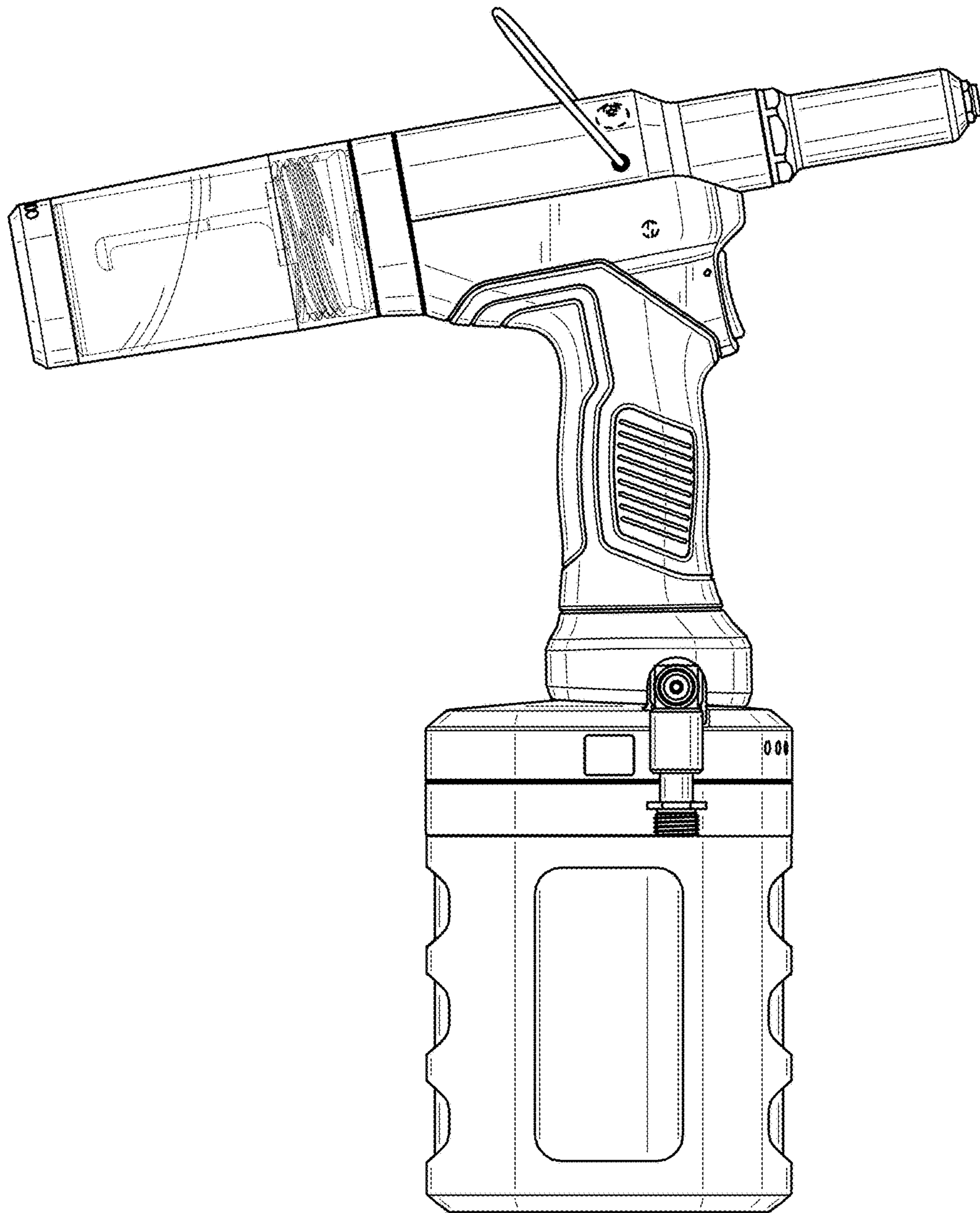


FIG. 4

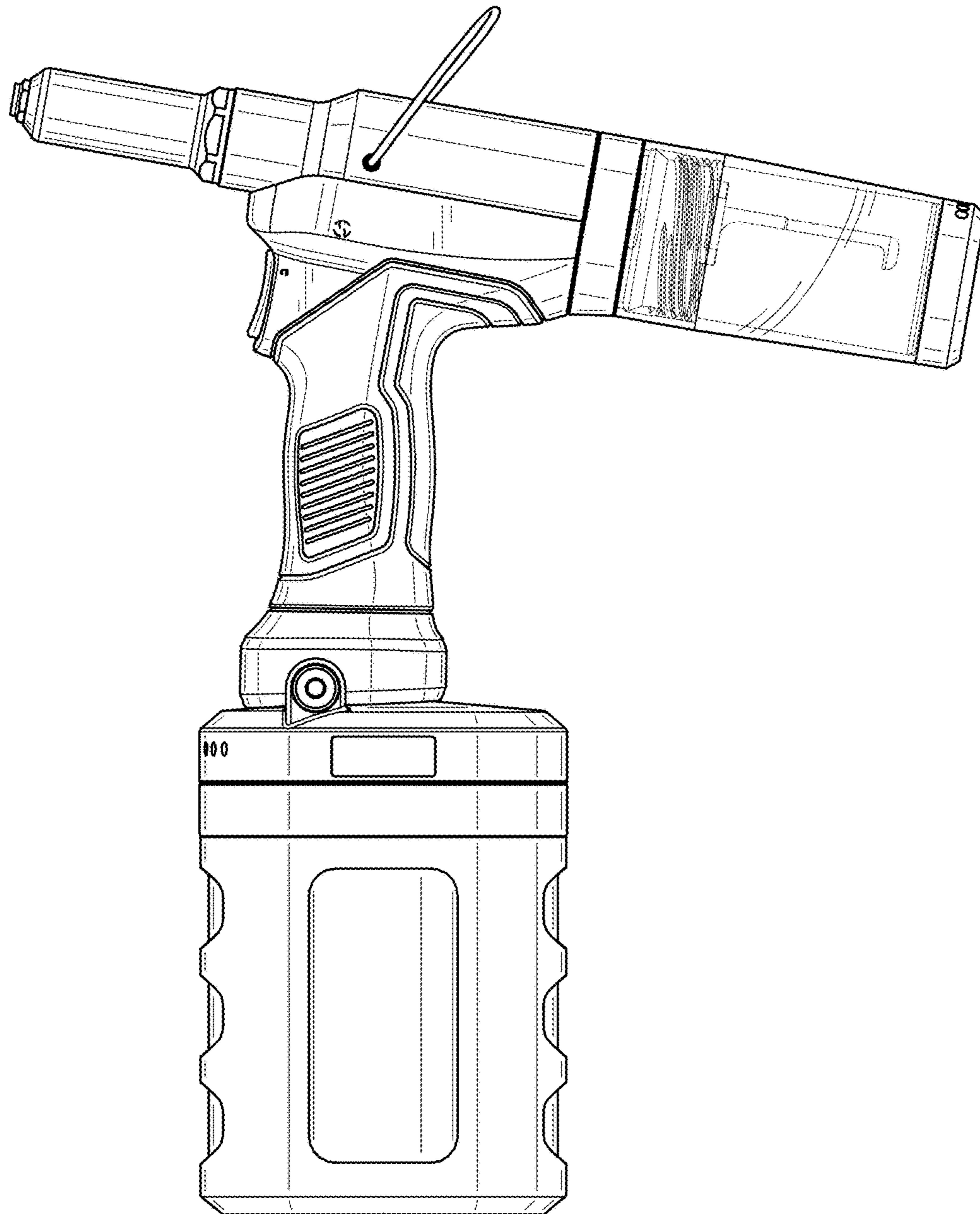


FIG. 5

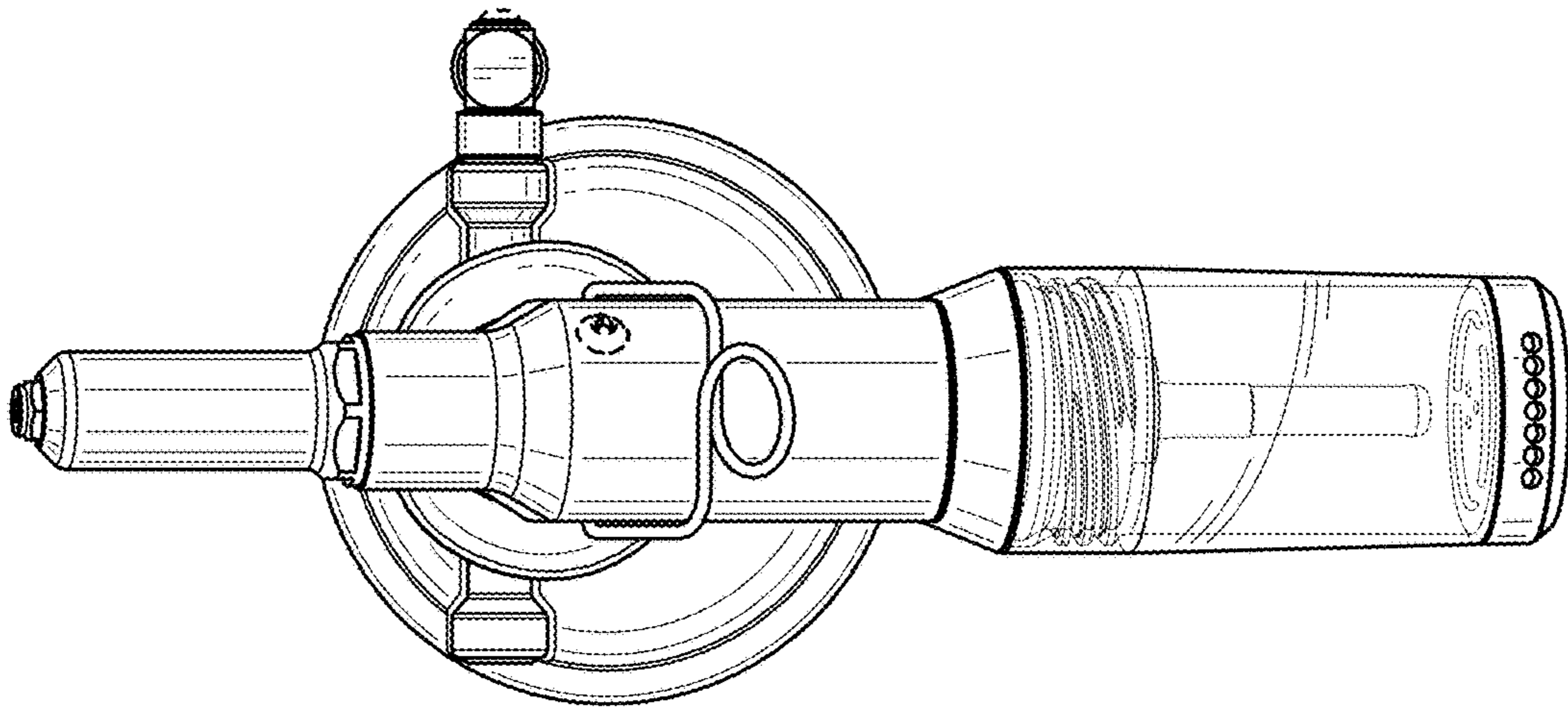


FIG. 6

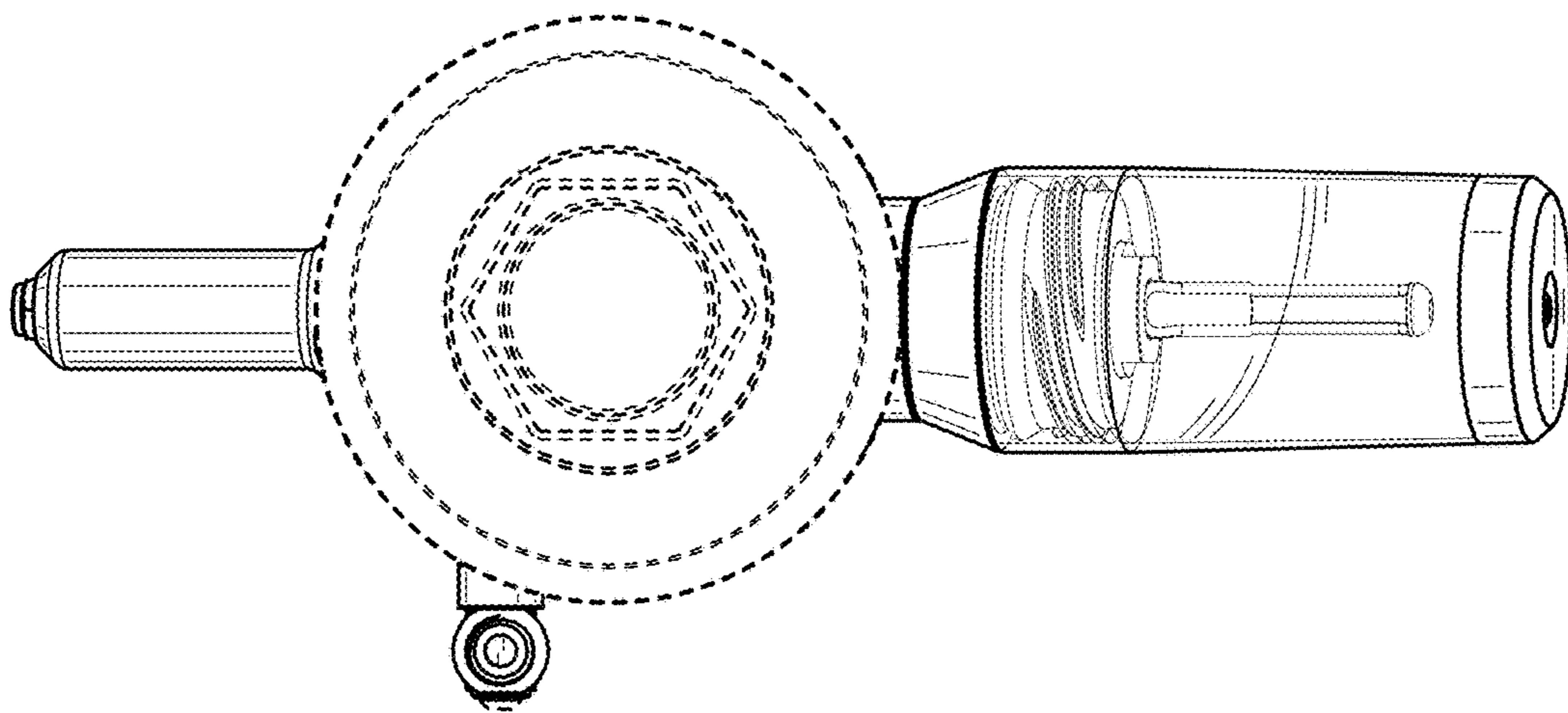


FIG. 7