



US00D781120S

(12) **United States Design Patent**  
**James**

(10) **Patent No.:** **US D781,120 S**

(45) **Date of Patent:** **\*\* \*Mar. 14, 2017**

(54) **BILATERAL CLAW**

(71) Applicant: **Gavin Hugh James**, Ledbury (GB)

(72) Inventor: **Gavin Hugh James**, Ledbury (GB)

(\*) Notice: This patent is subject to a terminal disclaimer.

(\*\*) Term: **14 Years**

(21) Appl. No.: **29/496,772**

(22) Filed: **Jul. 17, 2014**

(51) **LOC (10) Cl.** ..... **08-05**

(52) **U.S. Cl.**  
USPC ..... **D8/51**

(58) **Field of Classification Search**  
USPC ..... D8/4, 5, 51-60  
CPC ..... B25J 1/04; B25J 1/06; B25J 13/02; B25B 9/00; E01H 1/12  
See application file for complete search history.

(56) **References Cited**

**U.S. PATENT DOCUMENTS**

4,647,094	A *	3/1987	Bergkvist	.....	B25J 1/04 294/111
4,669,769	A *	6/1987	Polder, Jr.	.....	B25B 7/12 294/111
D298,728	S *	11/1988	Bergkvist	.....	D8/51
D333,075	S *	2/1993	Incantalupo	.....	D8/14
D582,233	S *	12/2008	Bensussan	.....	D8/51
D591,120	S *	4/2009	Buzby	.....	D8/51

D591,121	S *	4/2009	Buzby	.....	D8/51
D617,619	S *	6/2010	Bensussan	.....	D8/51
D655,589	S *	3/2012	Owens	.....	D8/51
8,500,180	B2 *	8/2013	Buzby	.....	B25B 7/12 294/111
9,004,563	B2 *	4/2015	Buzby	.....	A47F 13/06 294/115
2010/0102583	A1 *	4/2010	McCoy	.....	B25J 1/04 294/107
2014/0008930	A1 *	1/2014	James	.....	B25J 1/04 294/198
2014/0035305	A1 *	2/2014	Ludwig	.....	B25J 1/04 294/200

\* cited by examiner

*Primary Examiner* — Deanna L Pratt

(74) *Attorney, Agent, or Firm* — Gary E. Lambert; David J. Connaughton, Jr.; Lambert & Associates

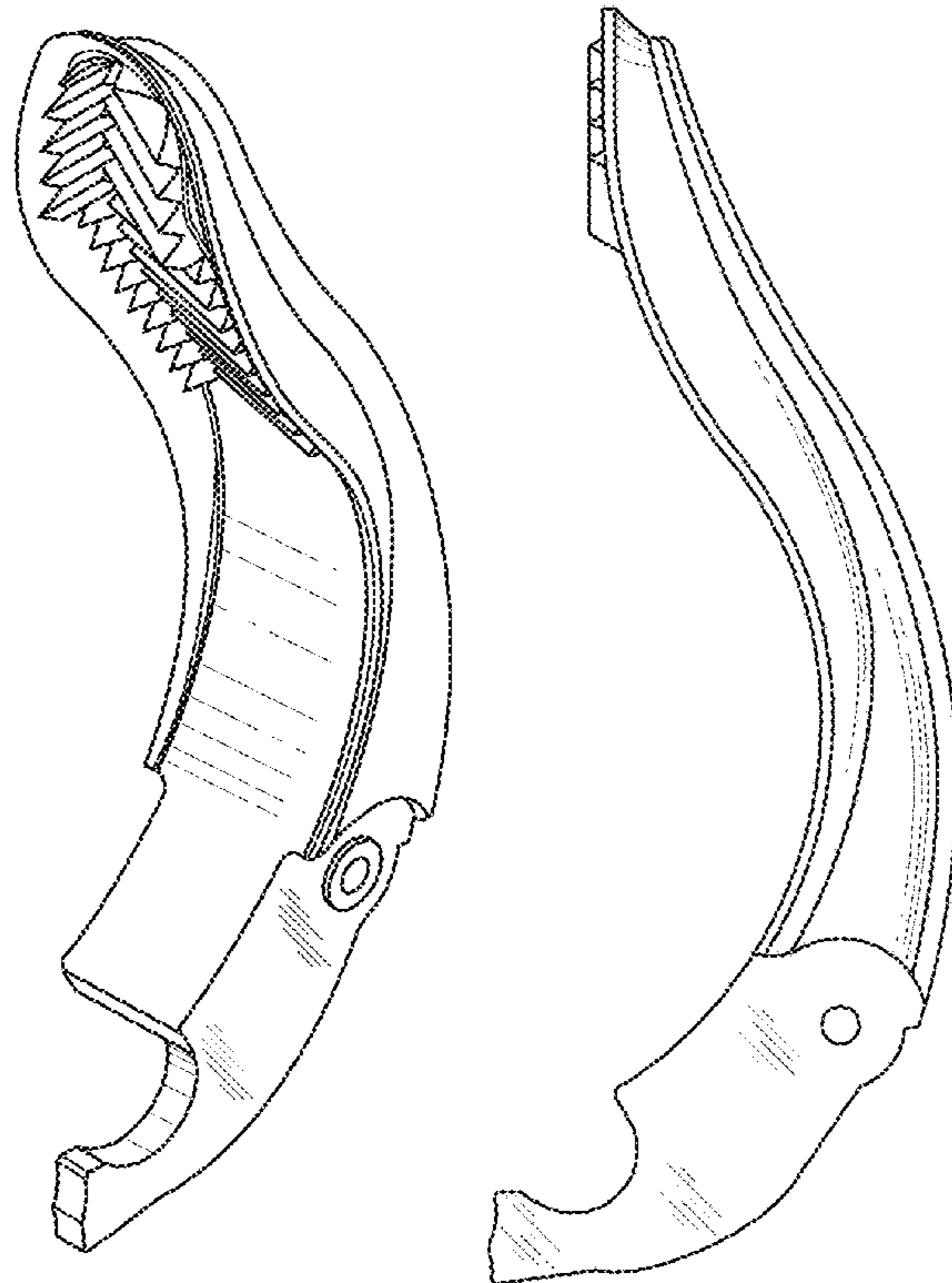
(57) **CLAIM**

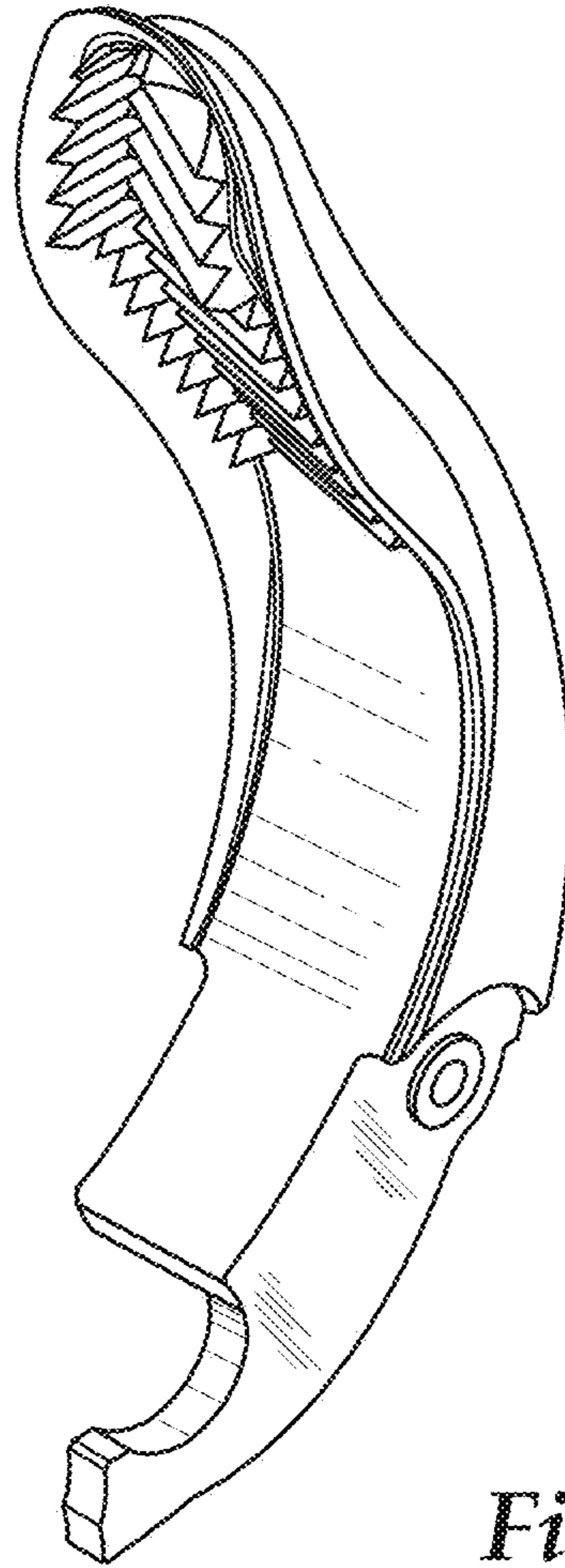
The ornamental design for a bilateral claw, as shown and described.

**DESCRIPTION**

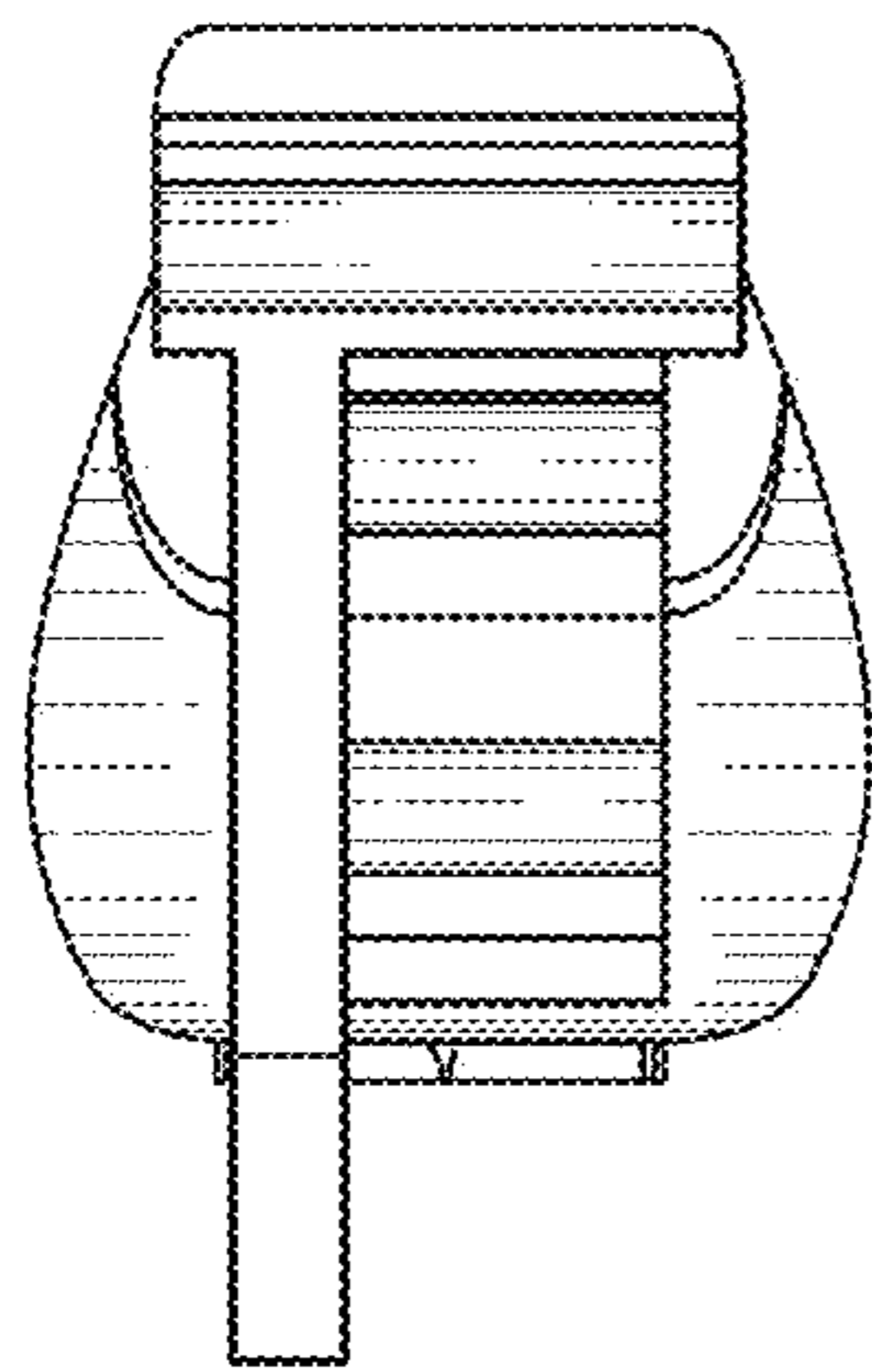
FIG. 1 is an isometric view of the front of the bilateral claw, which embodies my design;  
FIG. 2 is a rear view of the bilateral claw;  
FIG. 3 is an front view of the bilateral claw;  
FIG. 4 is a top plane view of the bilateral claw;  
FIG. 5 is a bottom plane view of the bilateral claw;  
FIG. 6 is a left side of view of the bilateral claw; and,  
FIG. 7 is a right side of view of the bilateral claw.

**1 Claim, 2 Drawing Sheets**

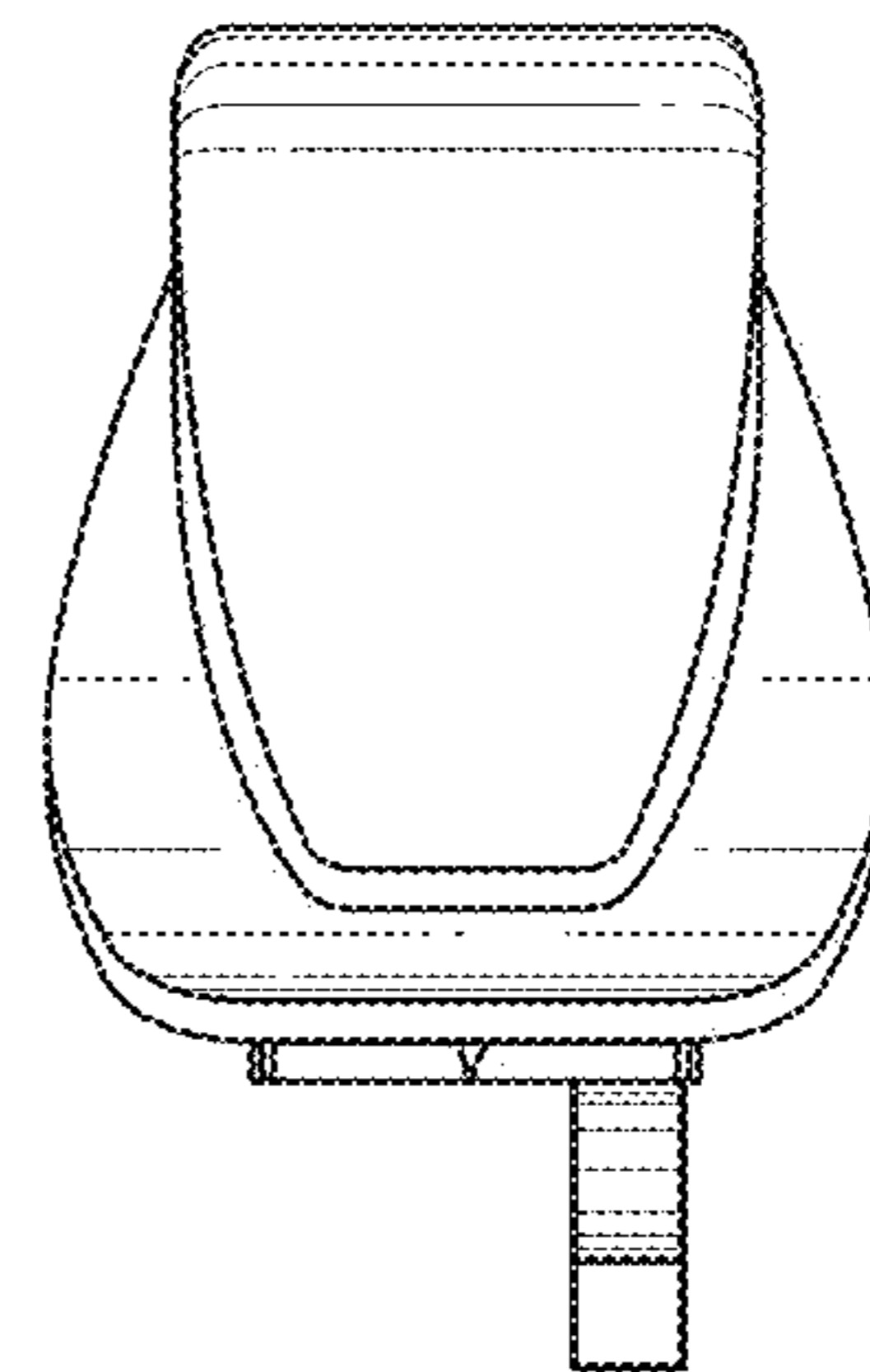




*Fig. 1*



*Fig. 2*



*Fig. 3*

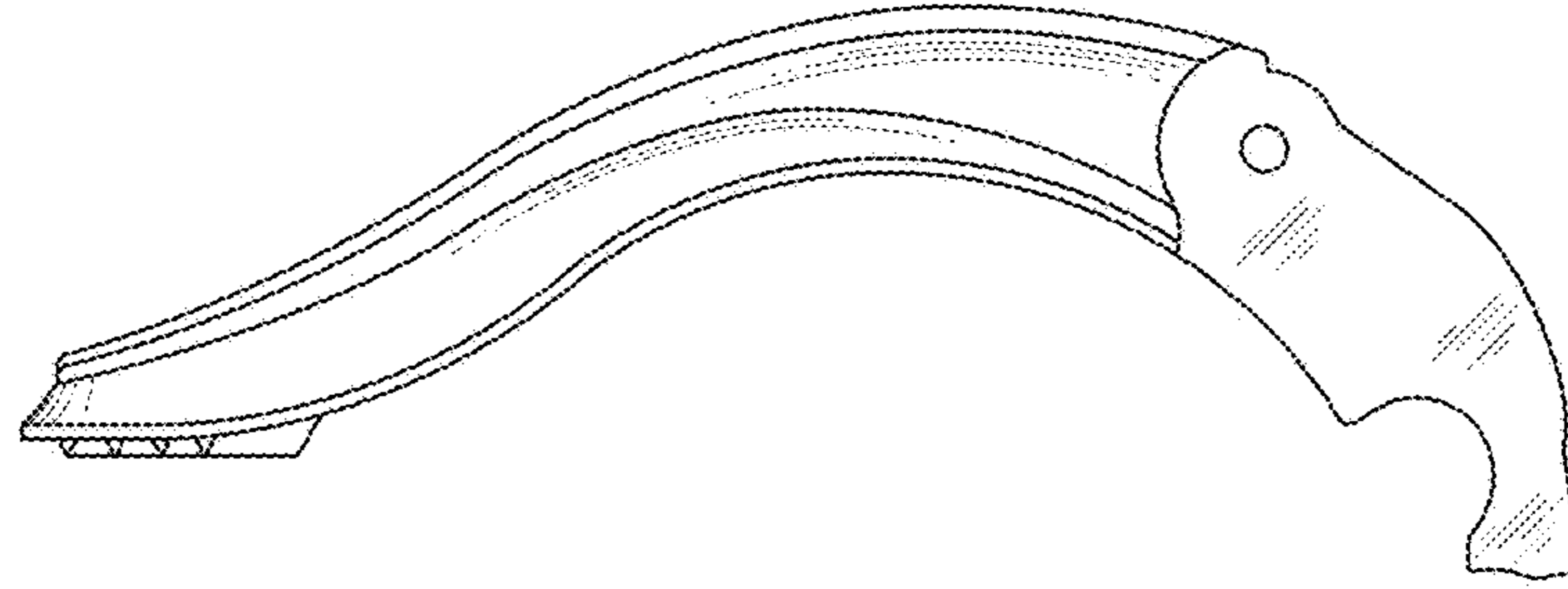


Fig. 7

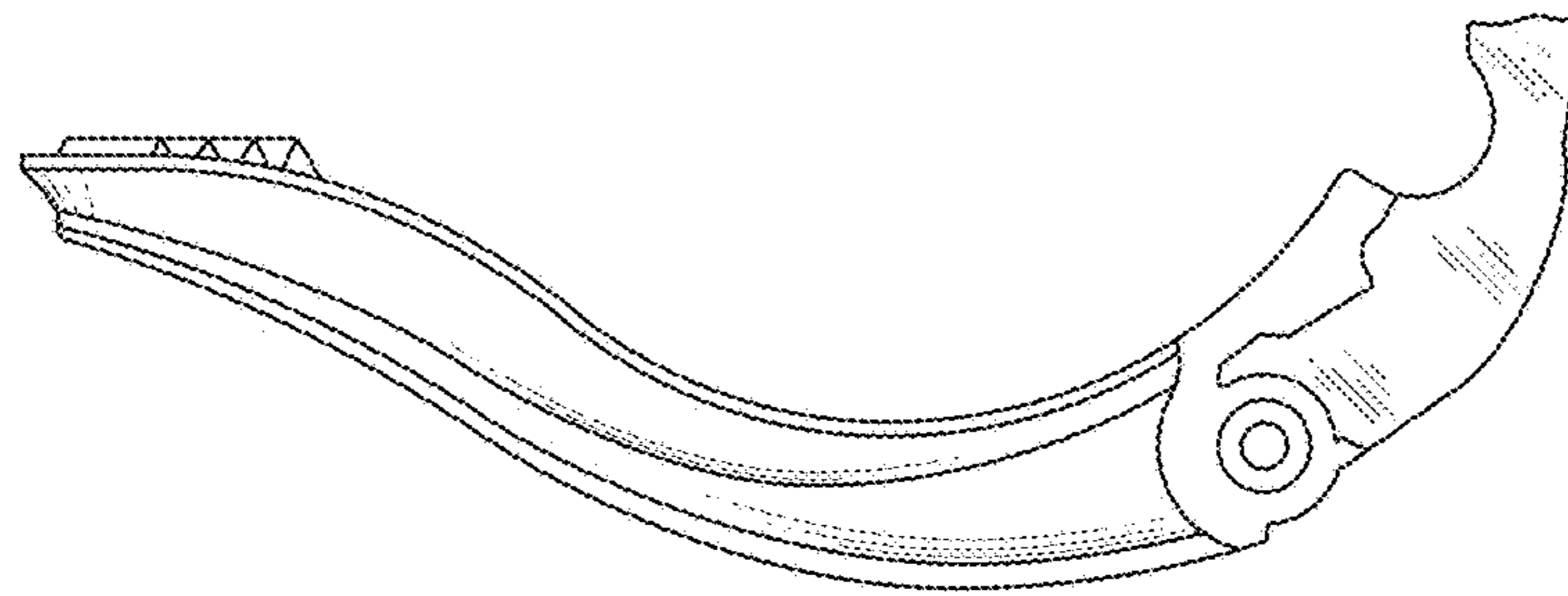


Fig. 6

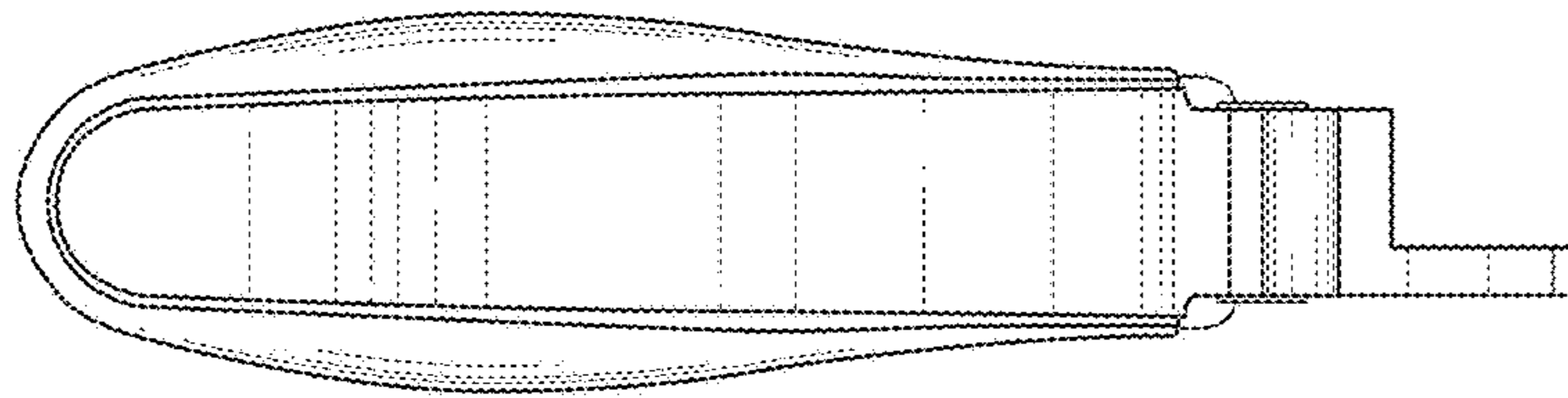


Fig. 5

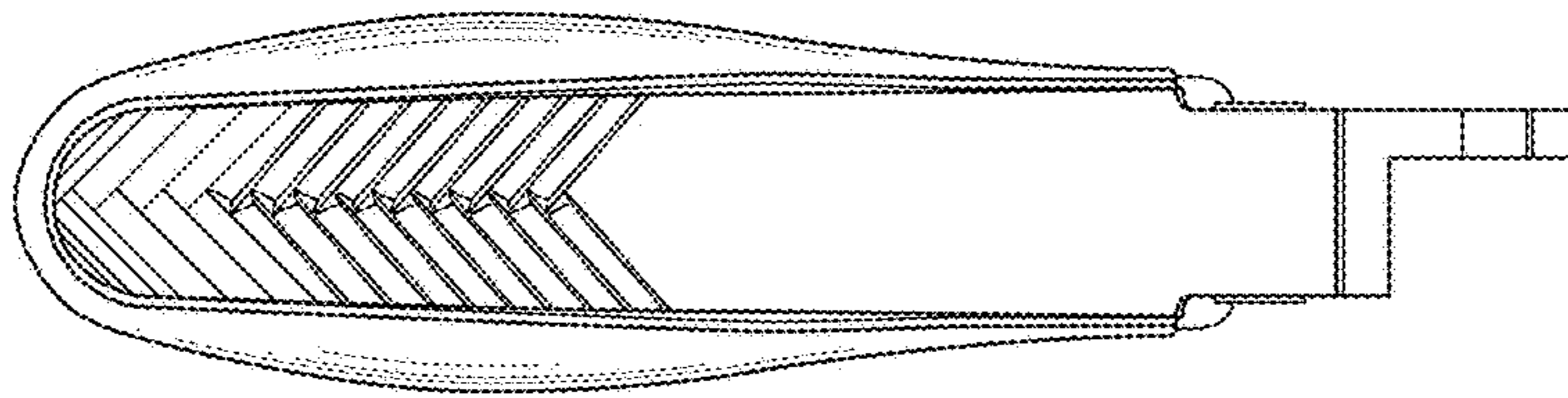


Fig. 4