



US00D781118S

(12) **United States Design Patent**  
**Rauckman**

(10) **Patent No.:** **US D781,118 S**  
(45) **Date of Patent:** **\*\* Mar. 14, 2017**

(54) **WRENCH**

(71) Applicant: **Gato Assets, LLC**, Belleville, IL (US)

(72) Inventor: **James B. Rauckman**, Swansea, IL (US)

(73) Assignee: **Gato Assets, LLC**, Belleville, IL (US)

(\*\*) Term: **15 Years**

(21) Appl. No.: **29/537,456**

(22) Filed: **Aug. 26, 2015**

(51) **LOC (10) Cl.** ..... **08-05**

(52) **U.S. Cl.**  
USPC ..... **D8/28**

(58) **Field of Classification Search**

USPC ..... D8/21-29; 81/60, 177.1, 177.85, 121.1, 81/124.3, 165-170, 110.1, 176.2, 124.6, 81/176.1, 176.15, 177.2, 186, 125, 119, 81/180.1, 185.02; 16/110.1; D15/144.1; 219/75, 227, 229, 121.16, 121.18  
CPC ..... B25B 13/463; B25B 13/04; B25B 13/46; B25B 13/461

See application file for complete search history.

(56) **References Cited**

**U.S. PATENT DOCUMENTS**

4,602,534 A	7/1986	Moetteli	
5,429,018 A	7/1995	Miller	
D445,014 S *	7/2001	Douglas	D8/107
D485,144 S *	1/2004	Levine	D8/21
D486,708 S	2/2004	Tuanmu	
D492,556 S	7/2004	Barry et al.	
D493,341 S	7/2004	Chen	

(Continued)

**OTHER PUBLICATIONS**

Hi-Line Utility Supply Co., Online Catalog: One source for T & D and Equipment, pp. 1-2, 22-32, <http://www.hilineco.com/productlisting/onlinecatalog>, Copyright 2000.

(Continued)

*Primary Examiner* — Randall Gholson

(74) *Attorney, Agent, or Firm* — Senniger Powers LLP

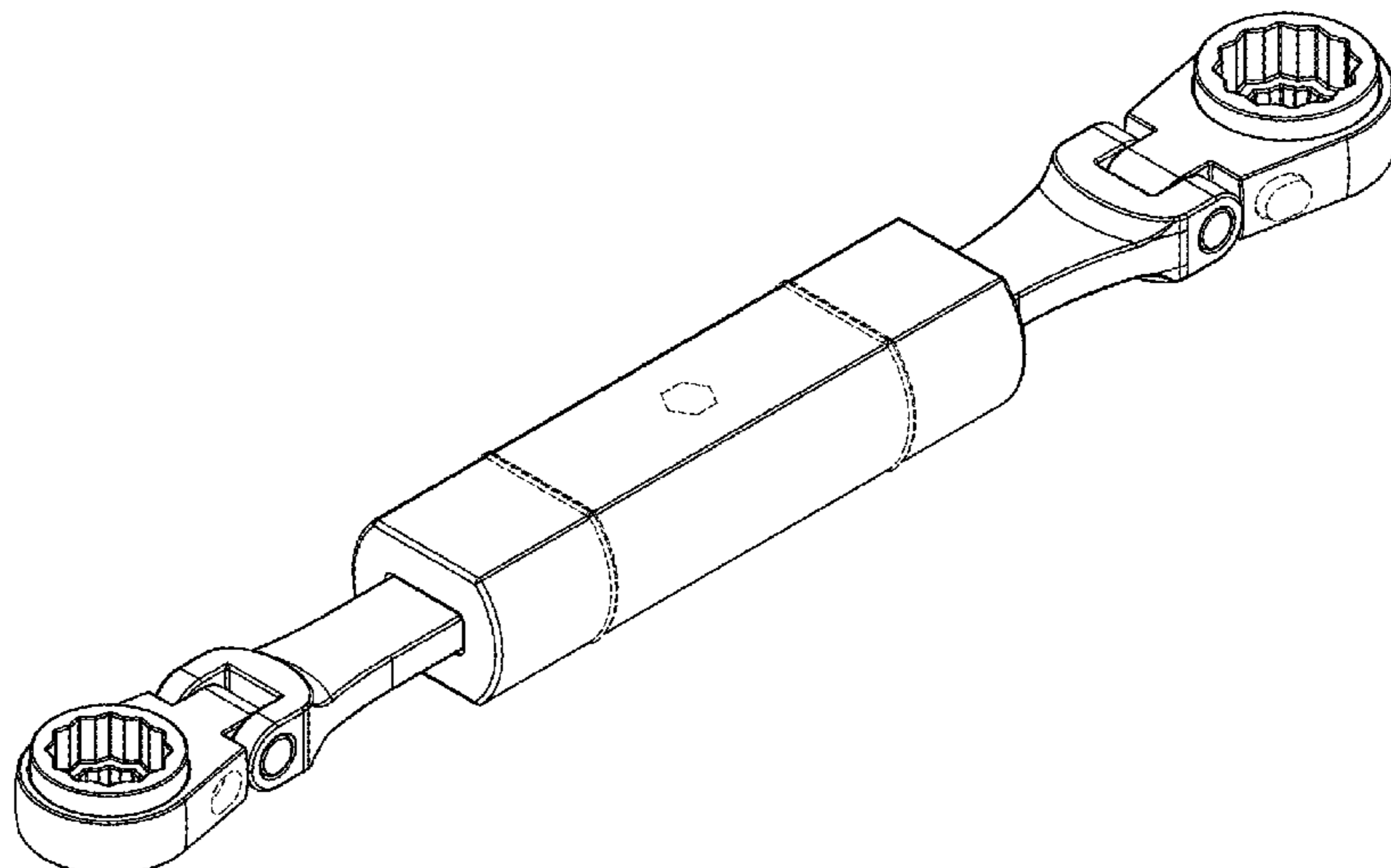
(57) **CLAIM**

The ornamental design for a wrench, as shown and described.

**DESCRIPTION**

FIG. 1 is a top perspective view of the wrench showing my new design;  
 FIG. 2 is bottom perspective view of the wrench showing my new design;  
 FIG. 3 is a top plan view thereof;  
 FIG. 4 is an end plan view thereof;  
 FIG. 5 is side elevational view thereof;  
 FIG. 6 is an end plan view of the end opposite of that shown in FIG. 4;  
 FIG. 7 is a bottom plan view thereof;  
 FIG. 8 is a side elevational view thereof of the side opposite of that shown in FIG. 5;  
 FIG. 9 is a top perspective view thereof with the wrench heads in a flexed position;  
 FIG. 10 is a bottom perspective view thereof with the wrench heads flexed;  
 FIG. 11 is a top plan view thereof;  
 FIG. 12 is an end plan view thereof;  
 FIG. 13 is a side elevational view thereof;  
 FIG. 14 is an end plan view of the end opposite of that shown in FIG. 12;  
 FIG. 15 is a bottom plan view thereof; and,  
 FIG. 16 is a side elevational view thereof of the side opposite of that shown in FIG. 13.  
 The broken lines depict portions of the wrench that form no part of the claimed design.

**1 Claim, 6 Drawing Sheets**



(56)

**References Cited**

U.S. PATENT DOCUMENTS

D496,568 S 9/2004 Izumisawa  
7,117,772 B2\* 10/2006 Chang ..... B25B 23/1427  
81/177.1  
D539,630 S \* 4/2007 Imoto ..... D8/107  
D543,810 S \* 6/2007 Rauckman ..... D8/25  
D559,054 S \* 1/2008 Tuan Mu ..... D8/25  
D634,601 S \* 3/2011 Good ..... D8/107  
D687,692 S \* 8/2013 Chen ..... D8/28  
D712,222 S \* 9/2014 Cummings ..... D8/25

OTHER PUBLICATIONS

Rauckman Utility Products website for Bug Wrench pp. 1-4,  
<http://www.rauckmanutility.com/homebugw.htm>, Copyright 2003-  
2011.

Klein Tools—Online catalog: Utility Hand Tools pp. 1-4, [http://  
www.kleintools.com](http://www.kleintools.com), Copyright 2012.

\* cited by examiner

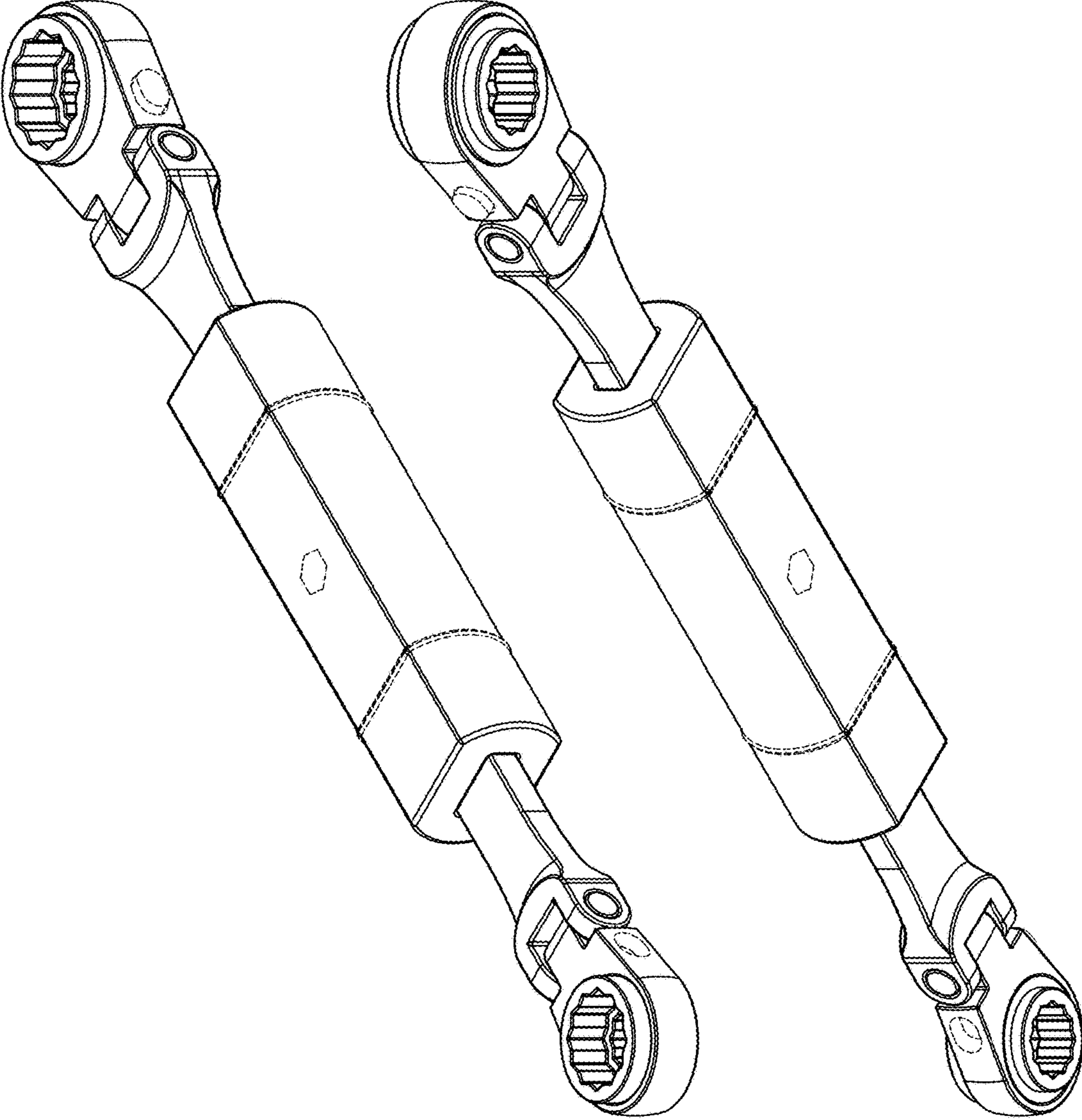


FIG. 1

FIG. 2

FIG. 3

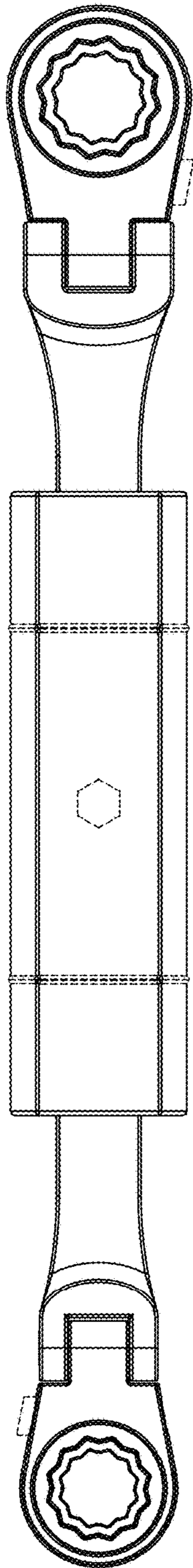


FIG. 4

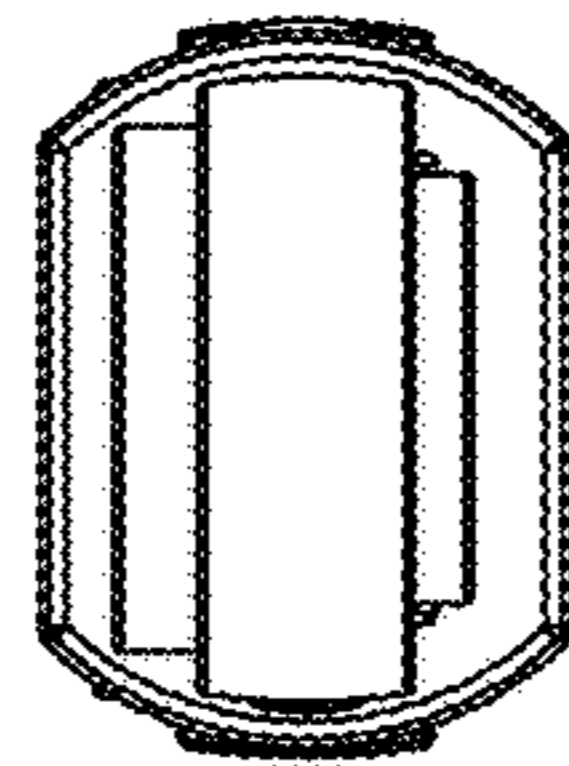


FIG. 5



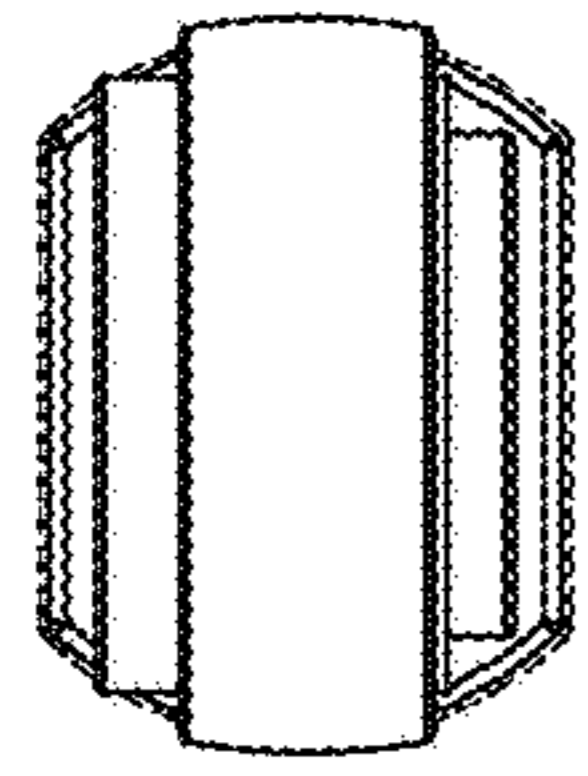


FIG. 6

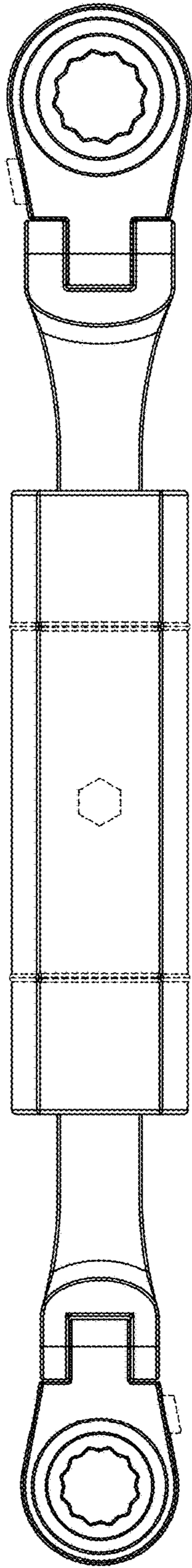


FIG. 7

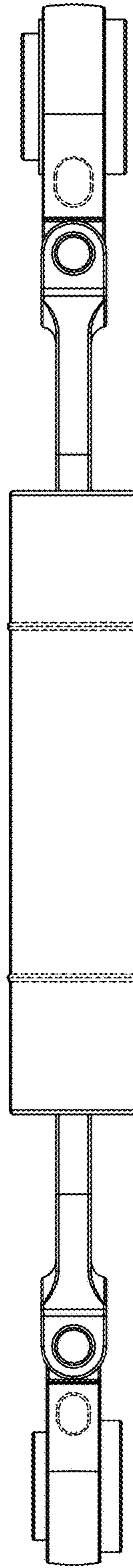


FIG. 8

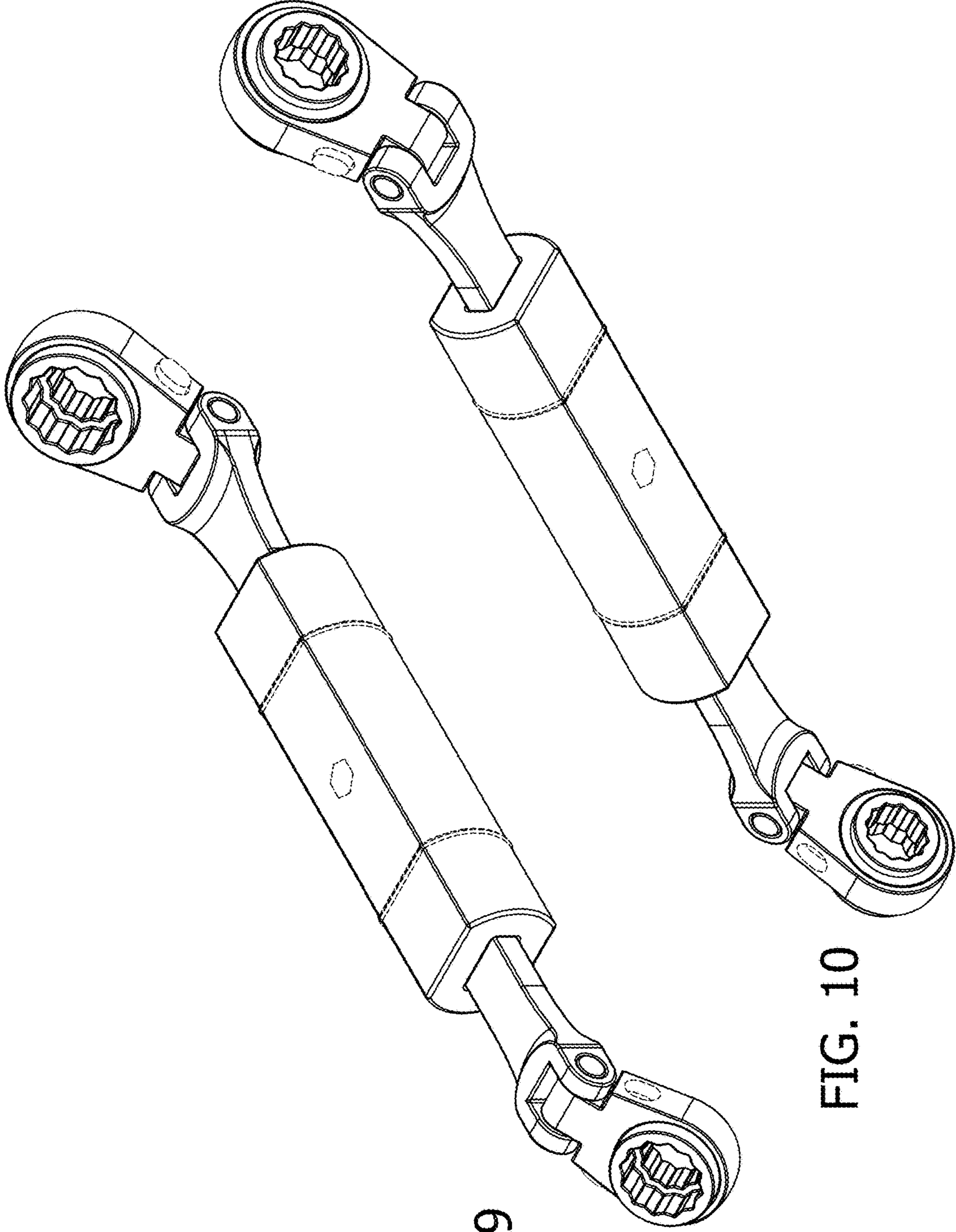


FIG. 9

FIG. 10

FIG. 11

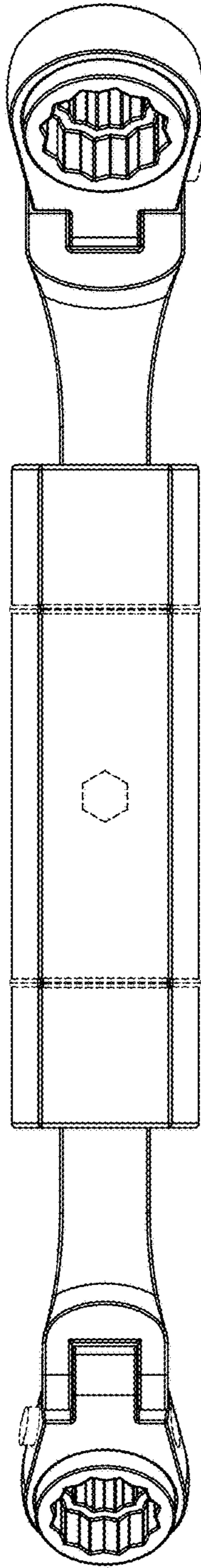


FIG. 12

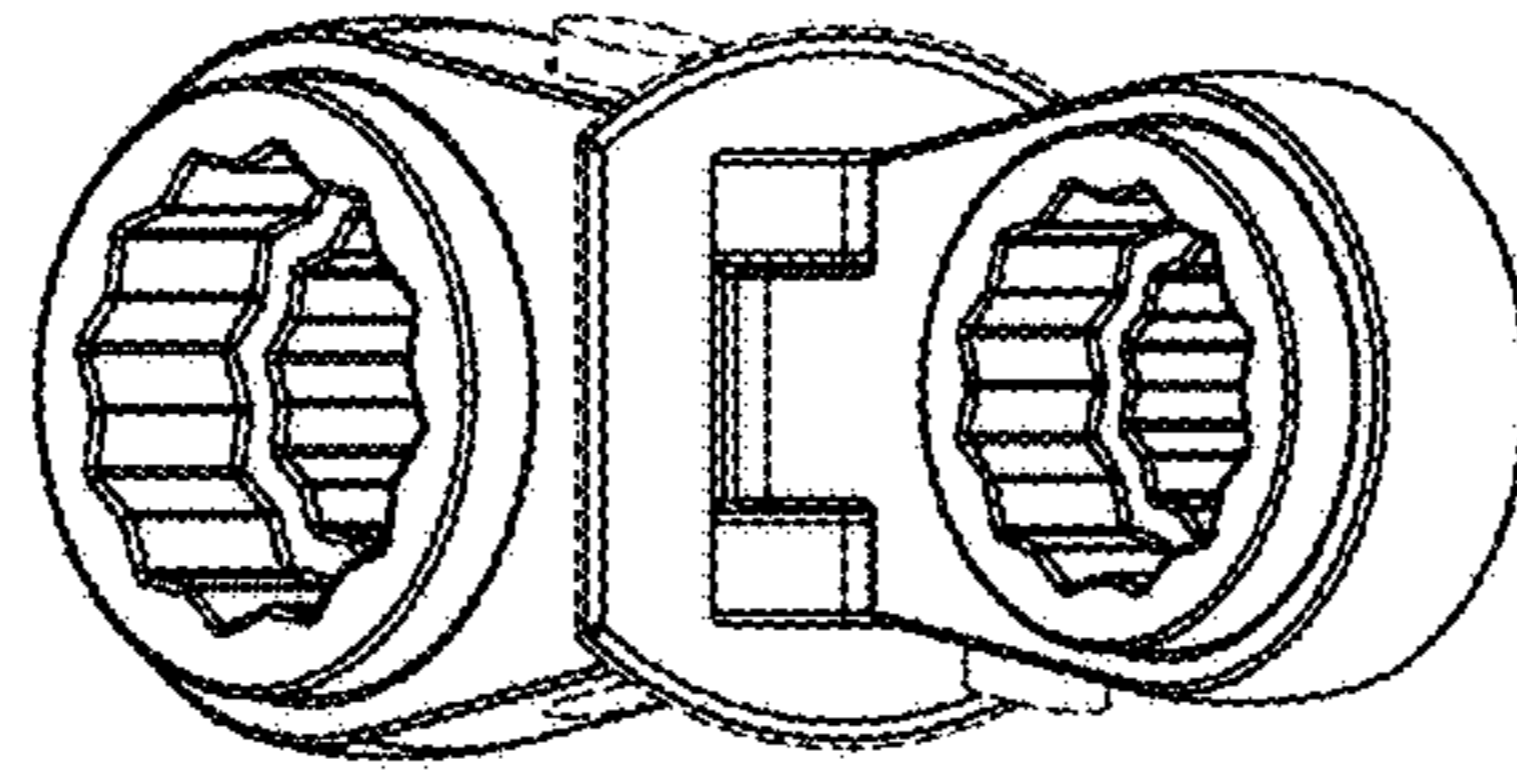
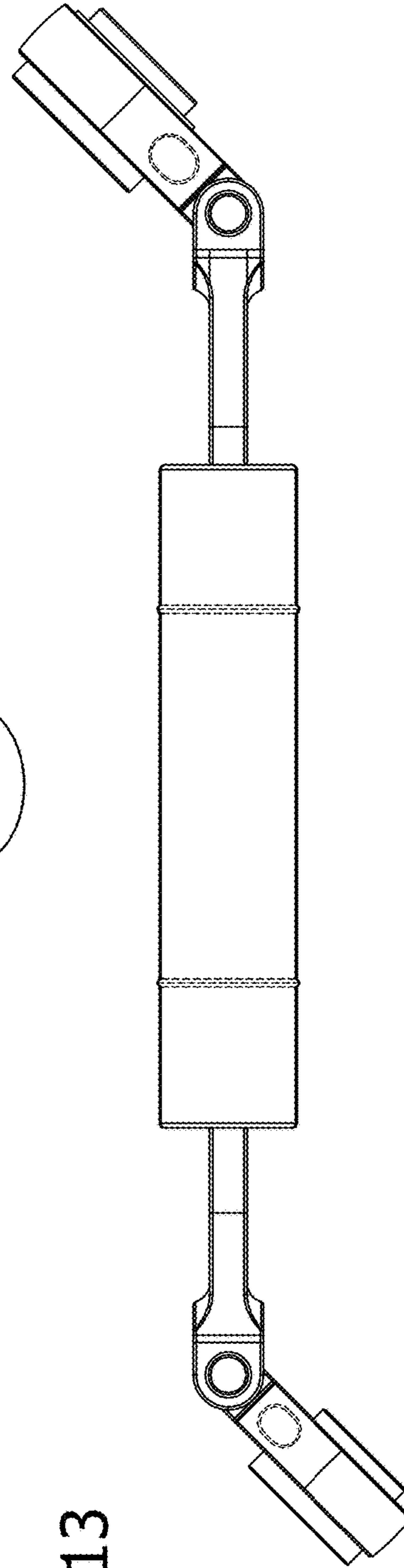


FIG. 13



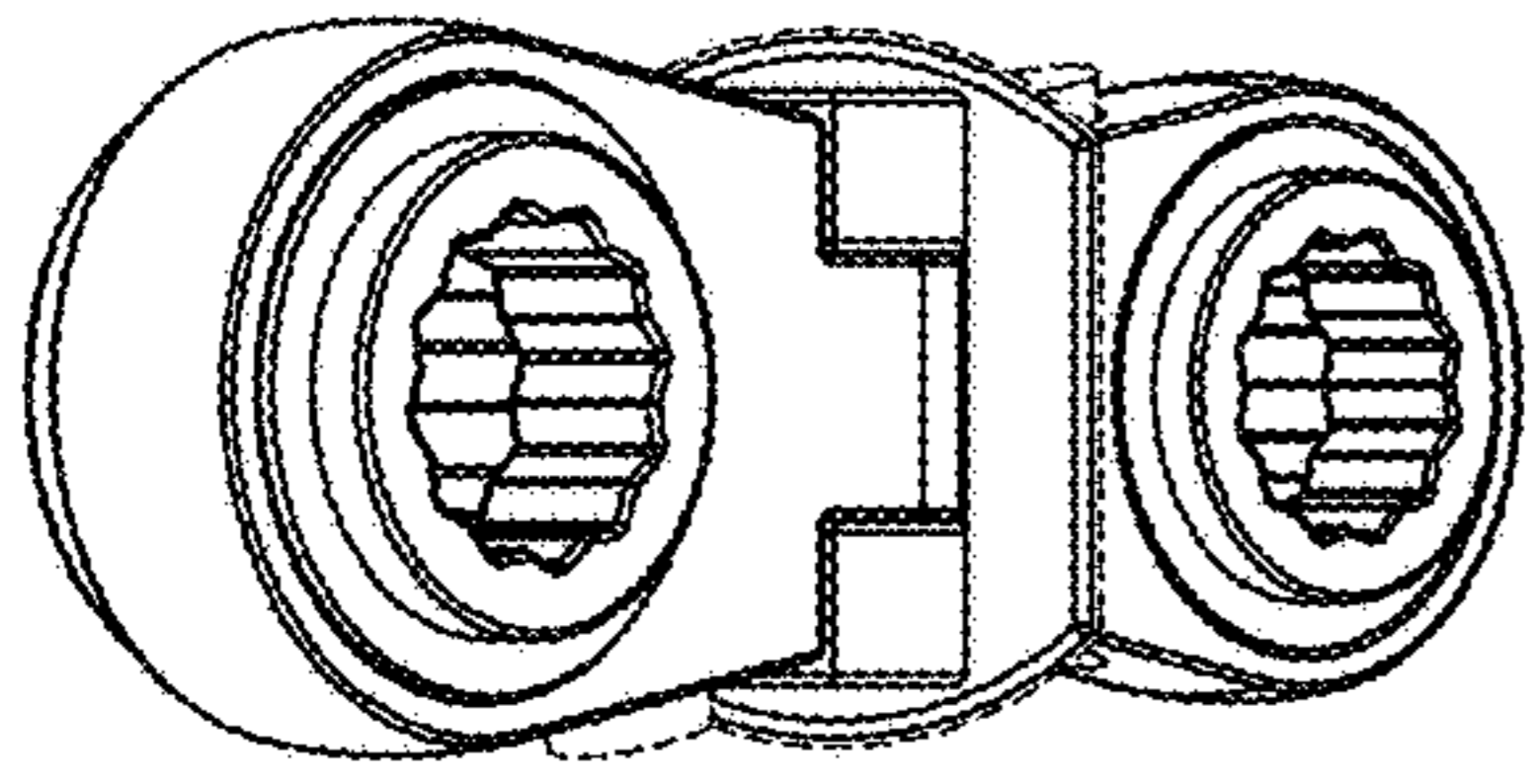


FIG. 14

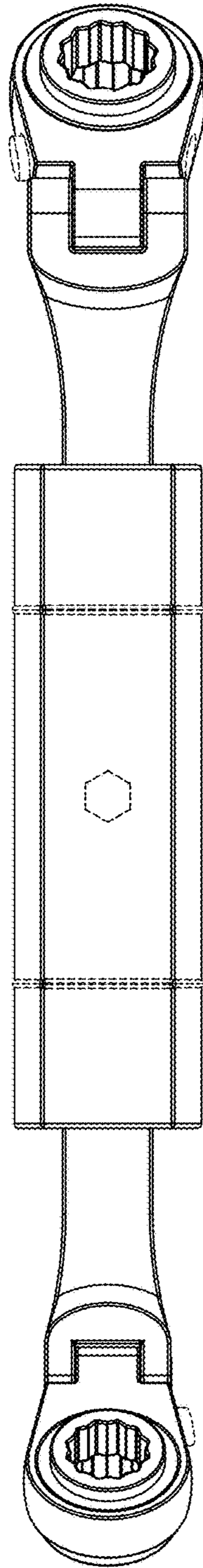


FIG. 15

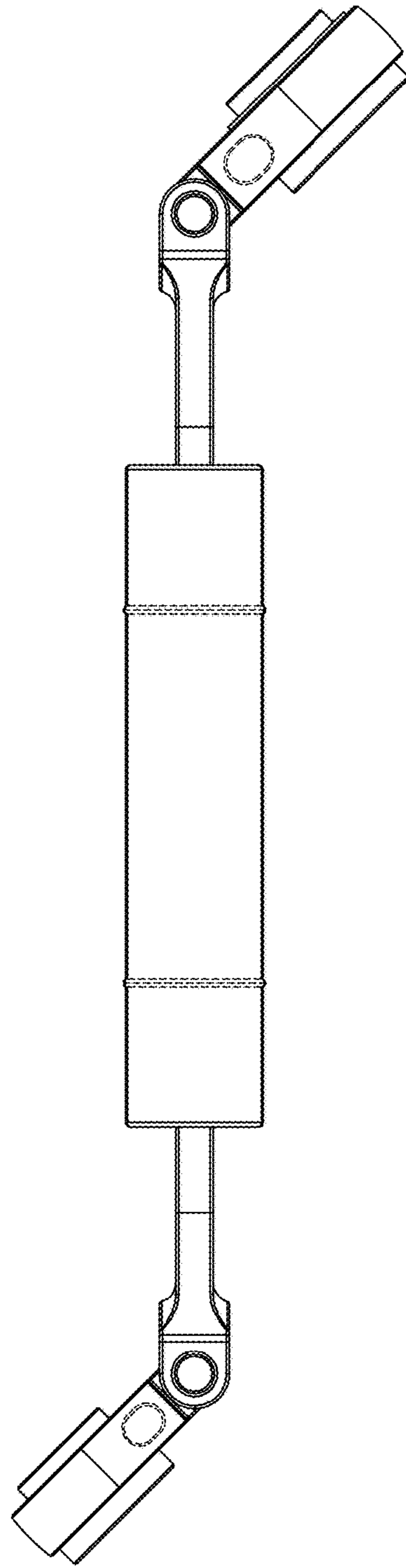


FIG. 16