



US00D781116S

(12) **United States Design Patent**
Waldron

(10) **Patent No.:** **US D781,116 S**
(45) **Date of Patent:** **** Mar. 14, 2017**

(54) **SPIKED TIP FOR DELIVERING STEAM INTO THE ROOT AREA OF A WEED**

(71) Applicant: **7RDD Limited**, North Yorkshire (GB)

(72) Inventor: **Michael Waldron**, North Yorkshire (GB)

(73) Assignee: **7RDD Limited**, North Yorkshire (GB)

(**) Term: **14 Years**

(21) Appl. No.: **29/518,868**

(22) Filed: **Feb. 27, 2015**

(51) **LOC (10) Cl.** **08-01**

(52) **U.S. Cl.**
USPC **D8/3**

(58) **Field of Classification Search**
USPC D8/1, 2; D7/669; D23/217, 213
CPC A01G 29/00; A01G 9/122; B05B 5/0533
See application file for complete search history.

(56) **References Cited**

U.S. PATENT DOCUMENTS

- 3,091,197 A * 5/1963 Henry A01G 29/00
111/7.1
- D318,993 S * 8/1991 Brady D8/13
- 7,070,130 B1 * 7/2006 Minko B05B 5/0533
239/222.11
- D569,696 S * 5/2008 Lindsay D8/1

- D638,518 S * 5/2011 Herre D23/213
- D668,920 S * 10/2012 Sandoval D8/1
- D687,683 S * 8/2013 Lin D8/1
- 2011/0271906 A1 * 11/2011 Yamada B05B 5/0426
118/621

* cited by examiner

Primary Examiner — Sheryl Lane

(74) *Attorney, Agent, or Firm* — McKee, Voorhees & Sease, PLC

(57) **CLAIM**

The ornamental design for a spiked tip for delivering steam into the root of a weed, as shown and described.

DESCRIPTION

FIG. 1 is a perspective view of a spiked tip for delivering steam into the root area of a weed according to the present invention;

FIG. 2 is a front view of the spiked tip for delivering steam into the root area of a weed shown in FIG. 1;

FIG. 3 is a left side view of the spiked tip for delivering steam into the root area of a weed shown in FIG. 1;

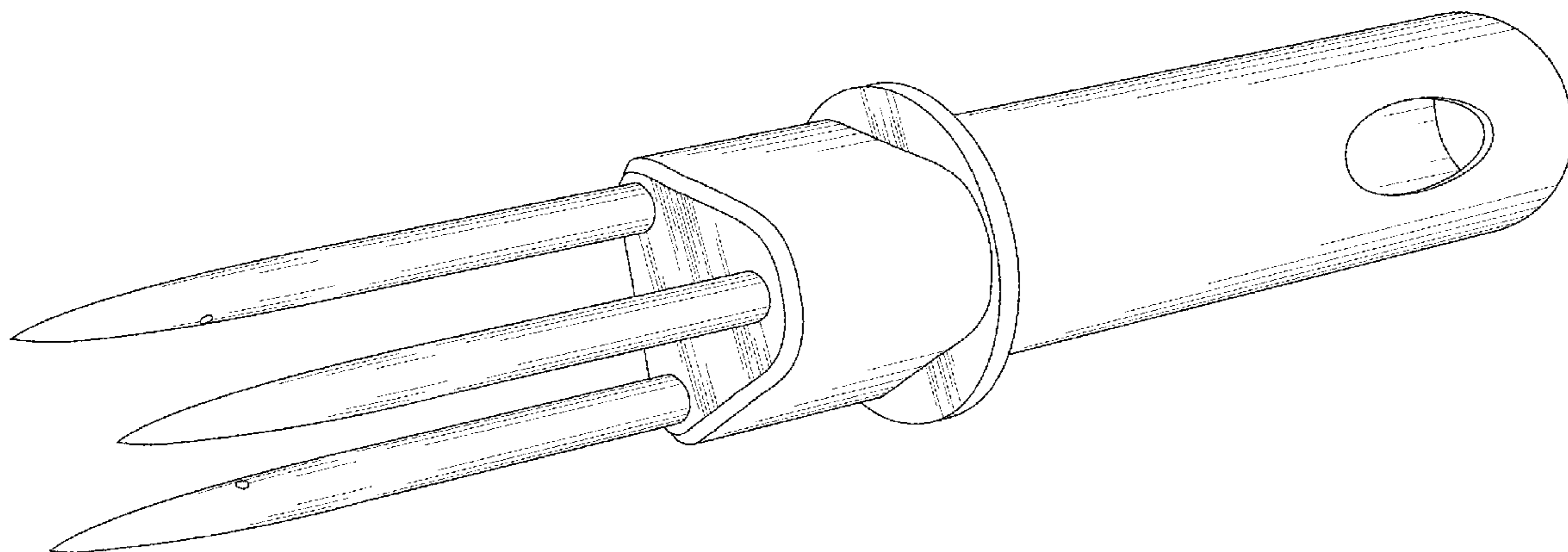
FIG. 4 is a right side view of the spiked tip for delivering steam into the root area of a weed shown in FIG. 1;

FIG. 5 is a top view of the spiked tip for delivering steam into the root area of a weed shown in FIG. 1;

FIG. 6 is a rear view of the spiked tip for delivering steam into the root area of a weed shown in FIG. 1; and,

FIG. 7 is a bottom view of the spiked tip for delivering steam into the root area of a weed shown in FIG. 1.

1 Claim, 6 Drawing Sheets



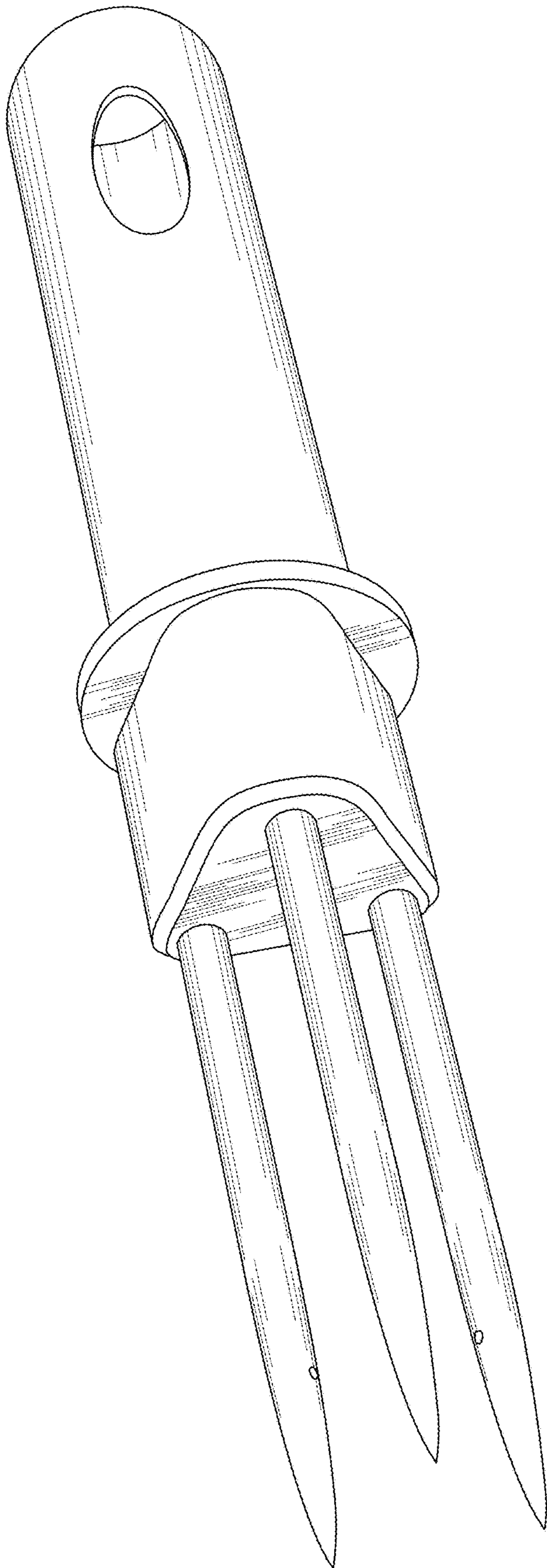


Fig. 1

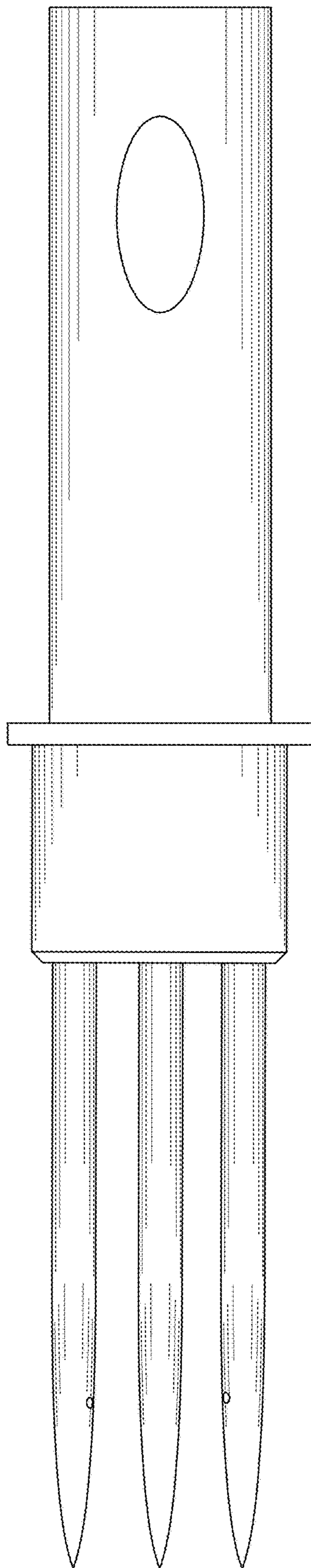


Fig. 2

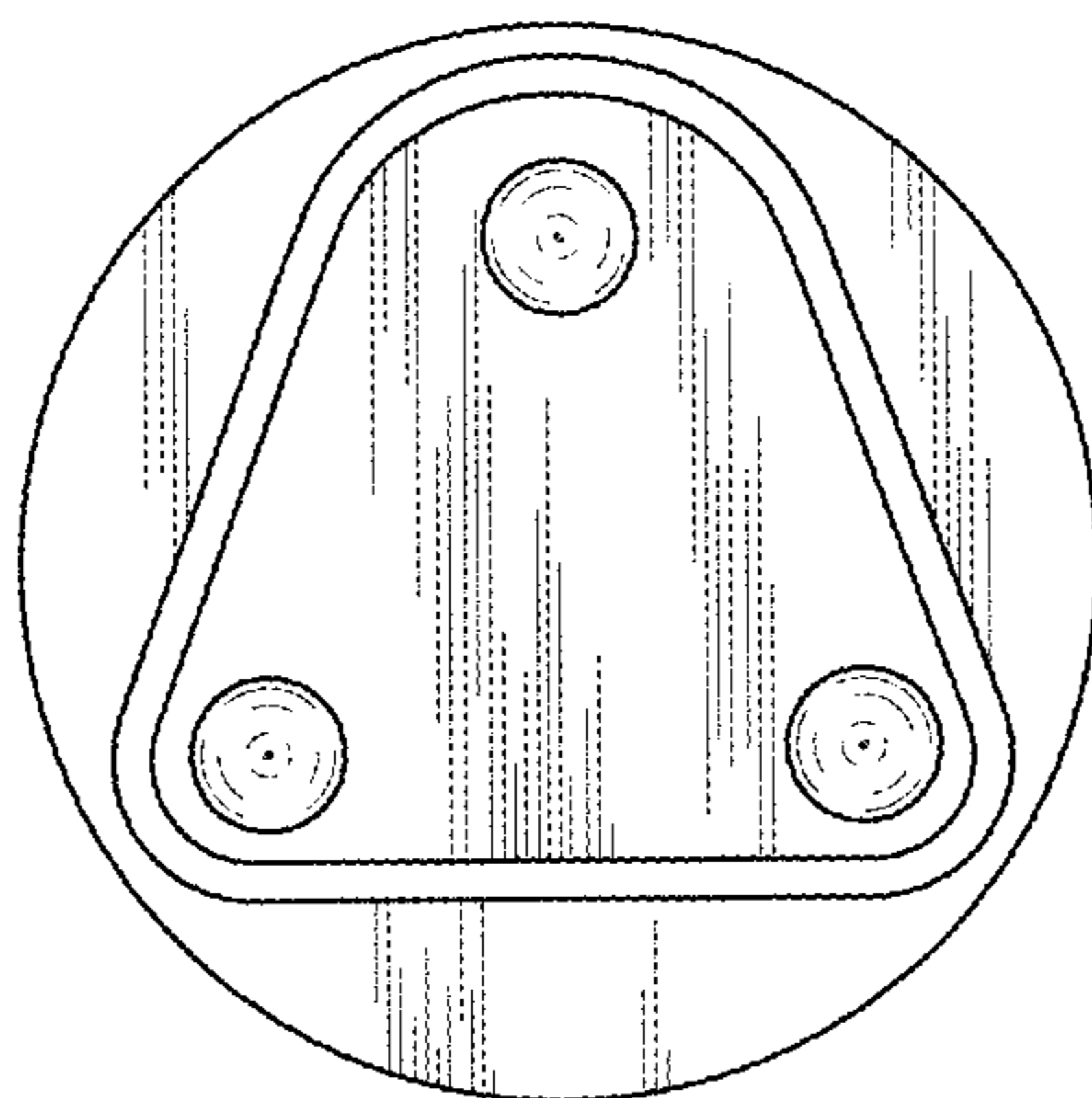


Fig. 3

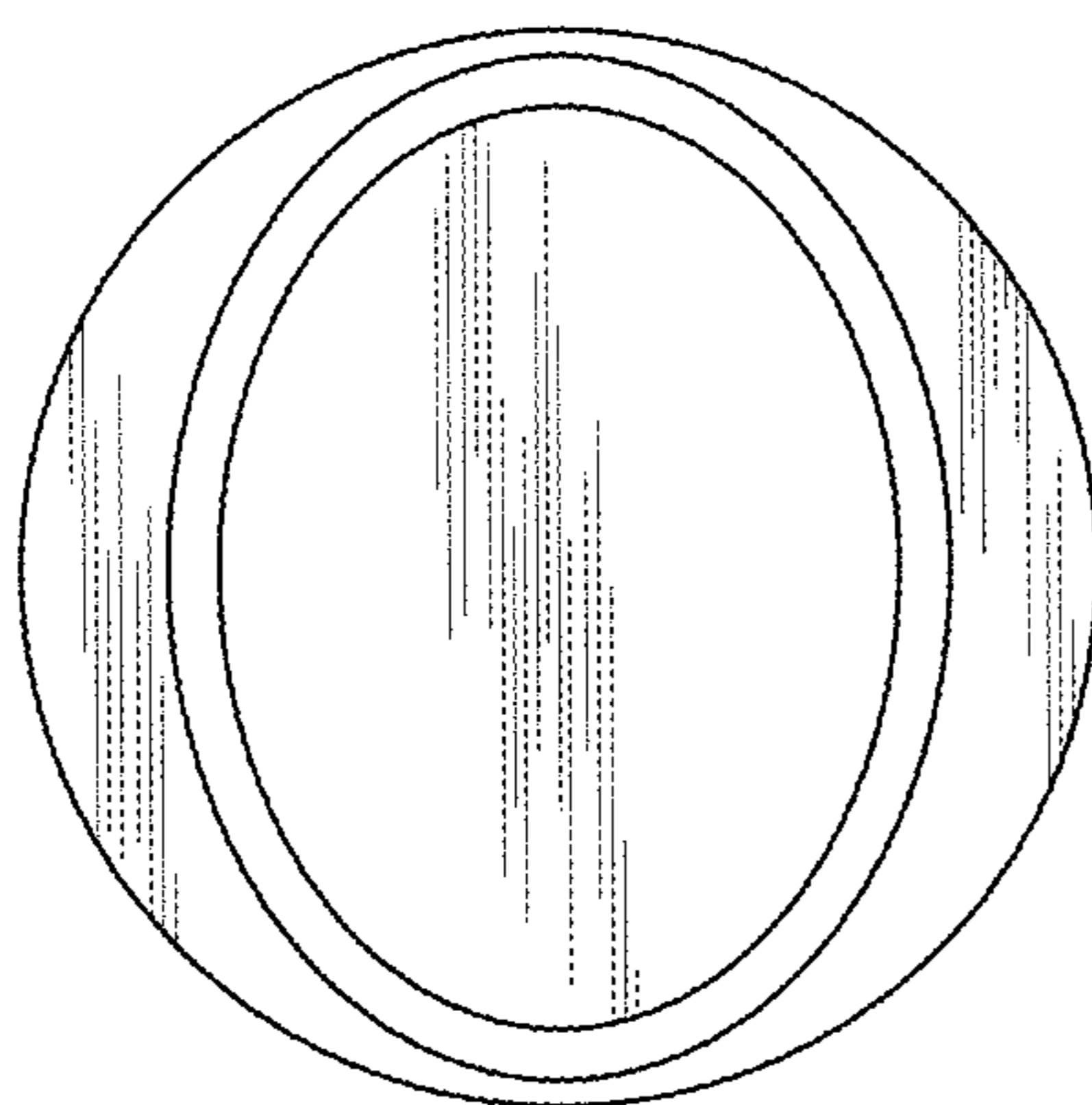


Fig. 4

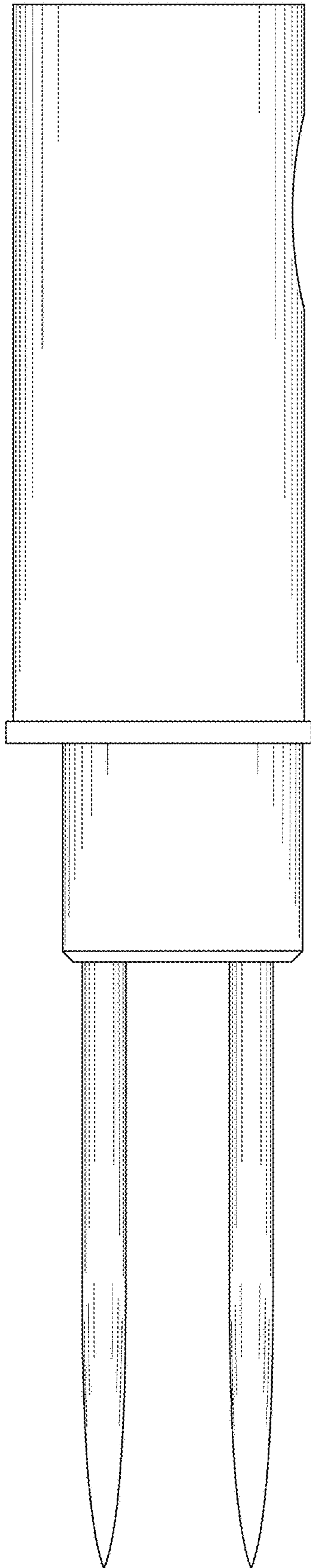


Fig. 5

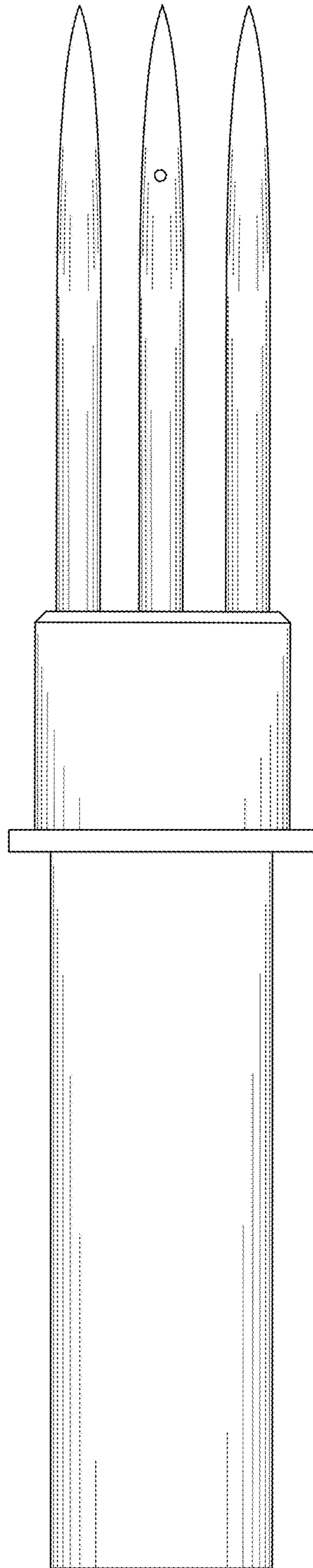


Fig. 6

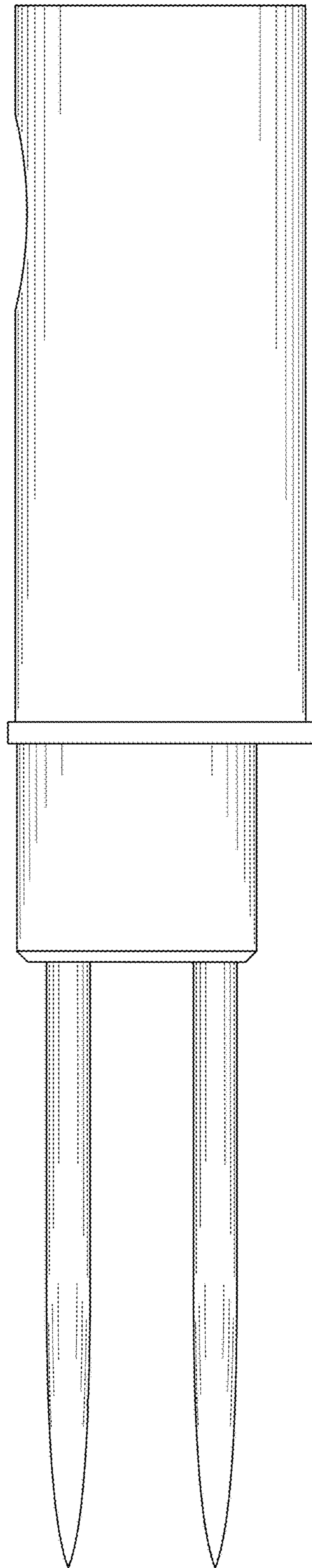


Fig. 7