



US00D781115S

(12) **United States Design Patent** (10) **Patent No.:** **US D781,115 S**
Einav (45) **Date of Patent:** **** Mar. 14, 2017**

(54) **DRIPPER**
(71) Applicant: **Rivulis Irrigation Ltd.**, Tel Aviv (IL)
(72) Inventor: **Zvi Einav**, Tel Aviv (IL)
(73) Assignee: **Rivulis Irrigation Ltd.**, Tel Aviv (IL)
(**) Term: **14 Years**
(21) Appl. No.: **29/501,056**
(22) Filed: **Aug. 29, 2014**
(51) **LOC (10) Cl.** **08-01**
(52) **U.S. Cl.**
USPC **D8/1**
(58) **Field of Classification Search**
USPC D8/1; D23/266, 214
CPC A01G 25/023; A01G 25/026; A01G 25/02;
A01G 27/06; B05B 1/20
See application file for complete search history.

D455,055 S * 4/2002 Roberts D23/266
D657,638 S * 4/2012 Einav D8/1
8,302,887 B2 * 11/2012 Park 239/542
2002/0166907 A1 * 11/2002 Boswell A01G 25/023
239/542
2005/0284966 A1 * 12/2005 DeFrank A01G 25/023
239/542
2006/0186228 A1 * 8/2006 Belford A01G 25/023
239/542
2009/0302127 A1 * 12/2009 Lutzki F16K 23/00
239/11
2011/0186652 A1 * 8/2011 Cohen A01G 25/023
239/542
2012/0012682 A1 * 1/2012 Einav B05B 1/20
239/542
2012/0126036 A1 * 5/2012 Patel A01G 25/023
239/553

(Continued)

Primary Examiner — Sheryl Lane
(74) *Attorney, Agent, or Firm* — Rodney J. Fuller; Booth Udall Fuller, PLC

(56) **References Cited**

U.S. PATENT DOCUMENTS

3,870,236 A * 3/1975 Sahagun-Barragan A01G 25/02
138/42
5,400,973 A * 3/1995 Cohen A01G 25/023
239/533.1
5,690,769 A * 11/1997 Daigle B29C 65/02
156/158
5,785,785 A * 7/1998 Delmer A01G 25/026
156/203
6,015,102 A * 1/2000 Daigle A01G 25/023
239/533.13
6,027,048 A * 2/2000 Mehoudar A01G 25/023
138/42
D425,767 S * 5/2000 Goslin D8/1
6,179,949 B1 * 1/2001 Buluschek A01G 25/023
156/244.13
6,182,394 B1 * 2/2001 Bassler A01G 27/06
47/65.5
D450,550 S * 11/2001 Roberts D23/214

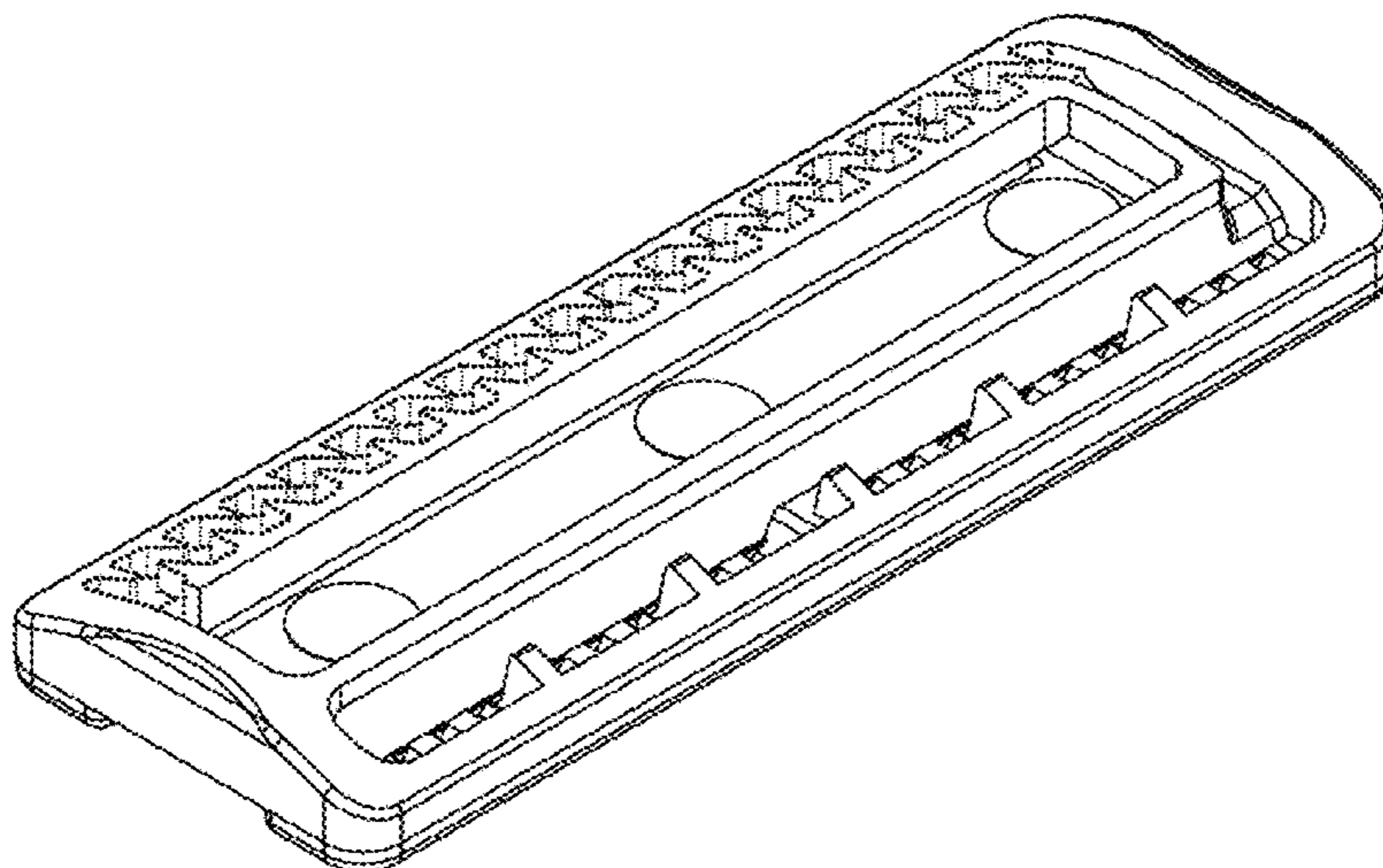
(57) **CLAIM**

I claim the ornamental design for a dripper, as shown and described.

DESCRIPTION

FIG. 1 is a perspective view from a first angle from above of a dripper showing my new design;
FIG. 2 is a perspective view from a second angle from below thereof;
FIG. 3 is a top view thereof;
FIG. 4 is a bottom view thereof;
FIG. 5 is a side view thereof; and,
FIG. 6 is a front view thereof.
The broken lines represent portions of the article and form no part of the claimed design.

1 Claim, 6 Drawing Sheets



(56)

References Cited

U.S. PATENT DOCUMENTS

2013/0248616	A1 *	9/2013	Ensworth	A01G 25/026 239/11
2014/0070029	A1 *	3/2014	Alkalay	A01G 25/023 239/542
2014/0246520	A1 *	9/2014	Einav	A01G 25/023 239/542
2015/0041563	A1 *	2/2015	Ensworth	A01G 25/023 239/542
2015/0041564	A1 *	2/2015	Ensworth	A01G 25/023 239/542
2015/0150199	A1 *	6/2015	Kidachi	A01G 25/023 239/542
2015/0223414	A1 *	8/2015	Kidachi	A01G 25/023 239/542

* cited by examiner

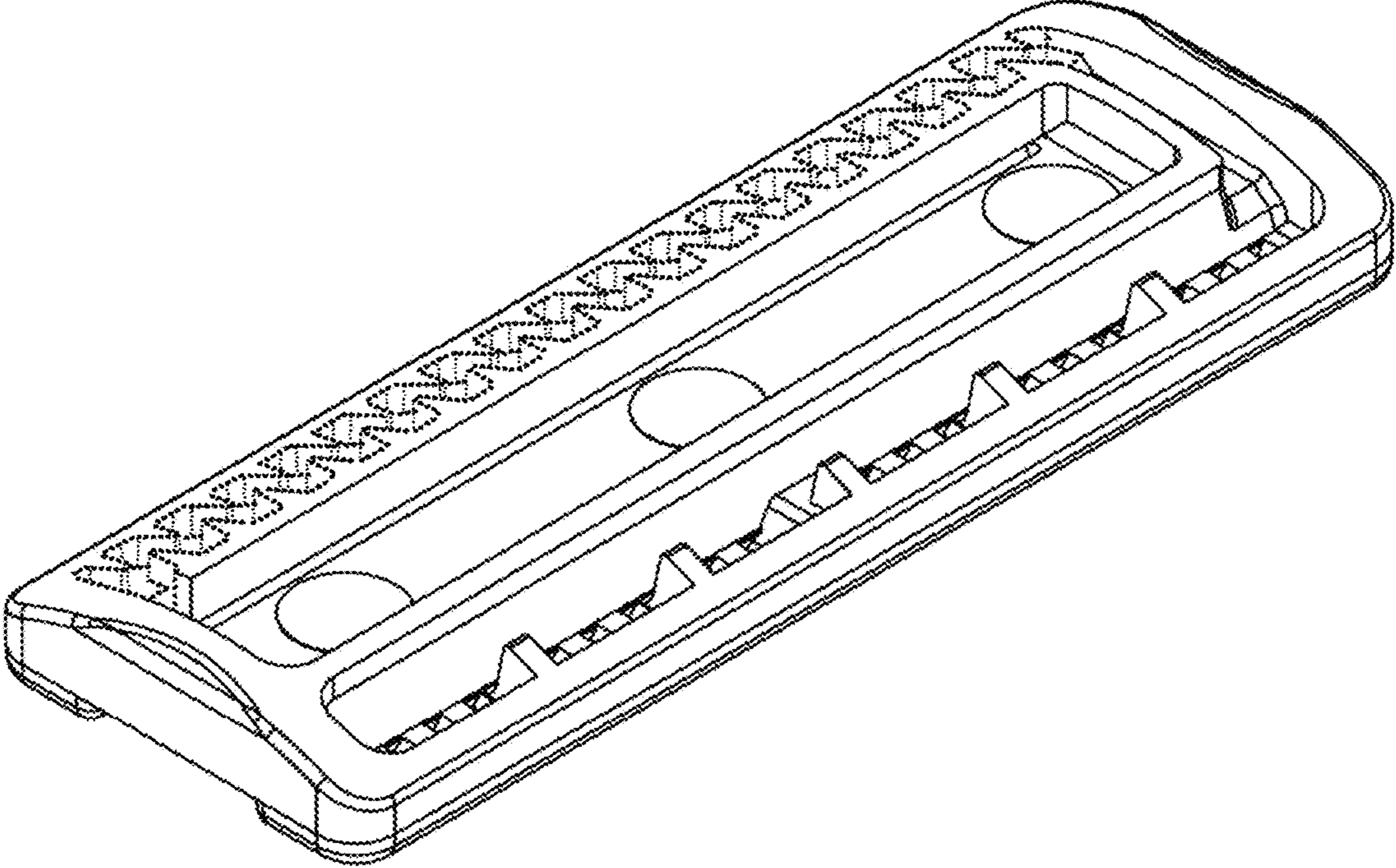


FIG. 1

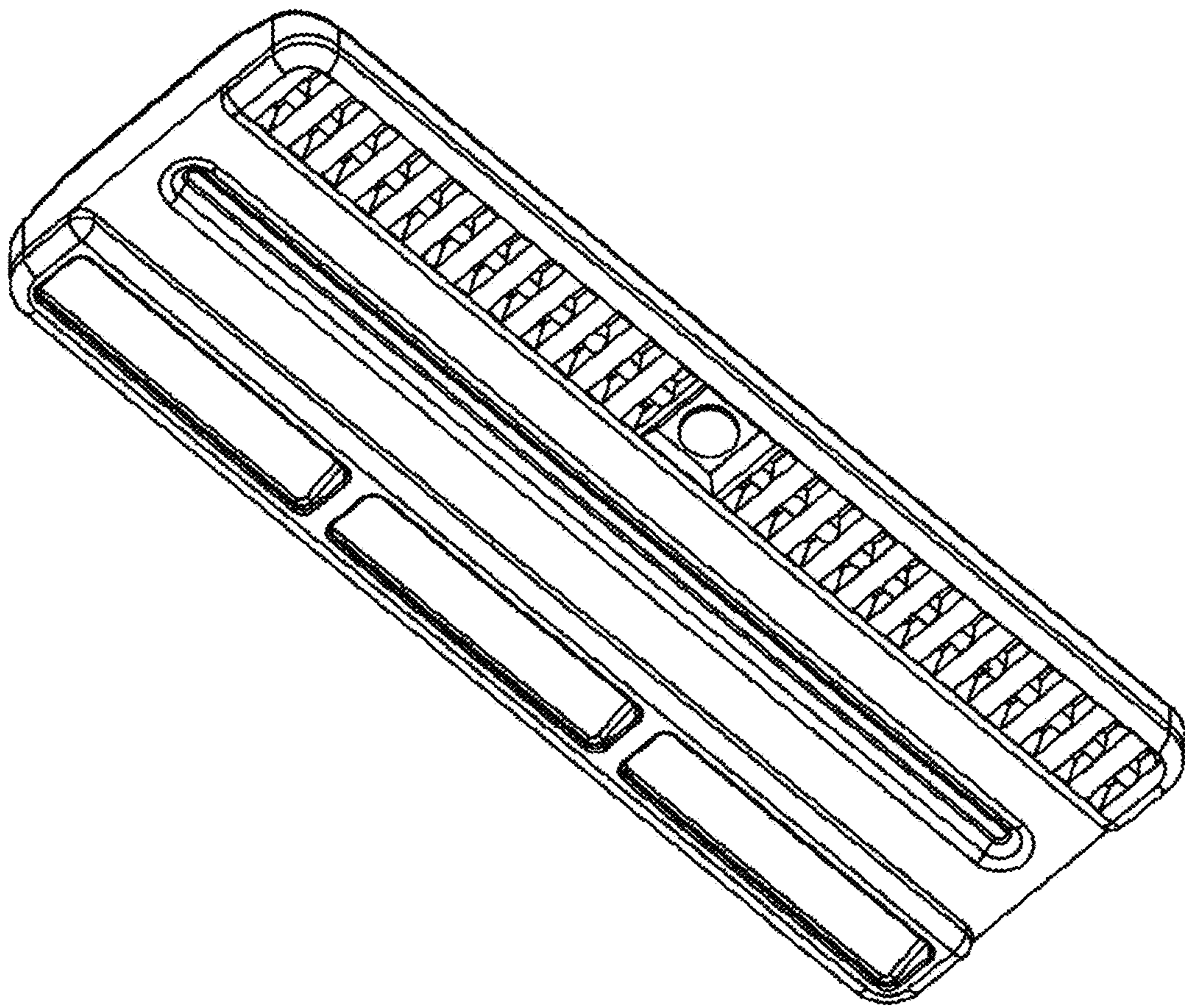


FIG. 2

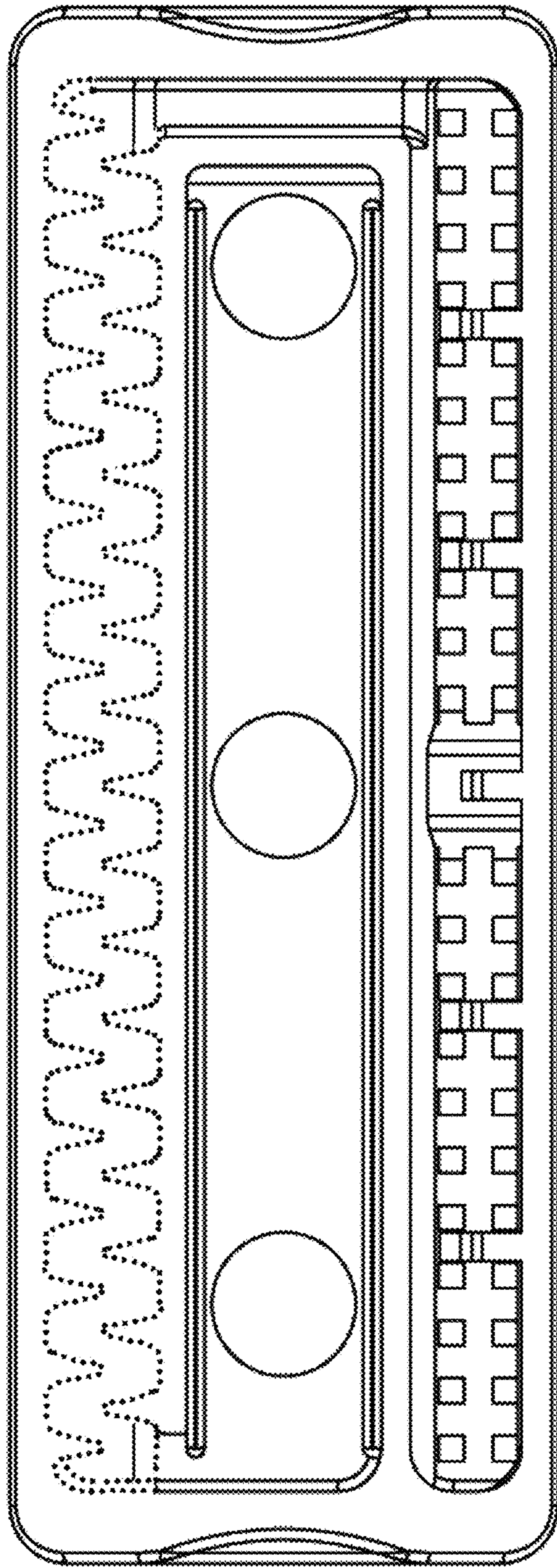


FIG. 3

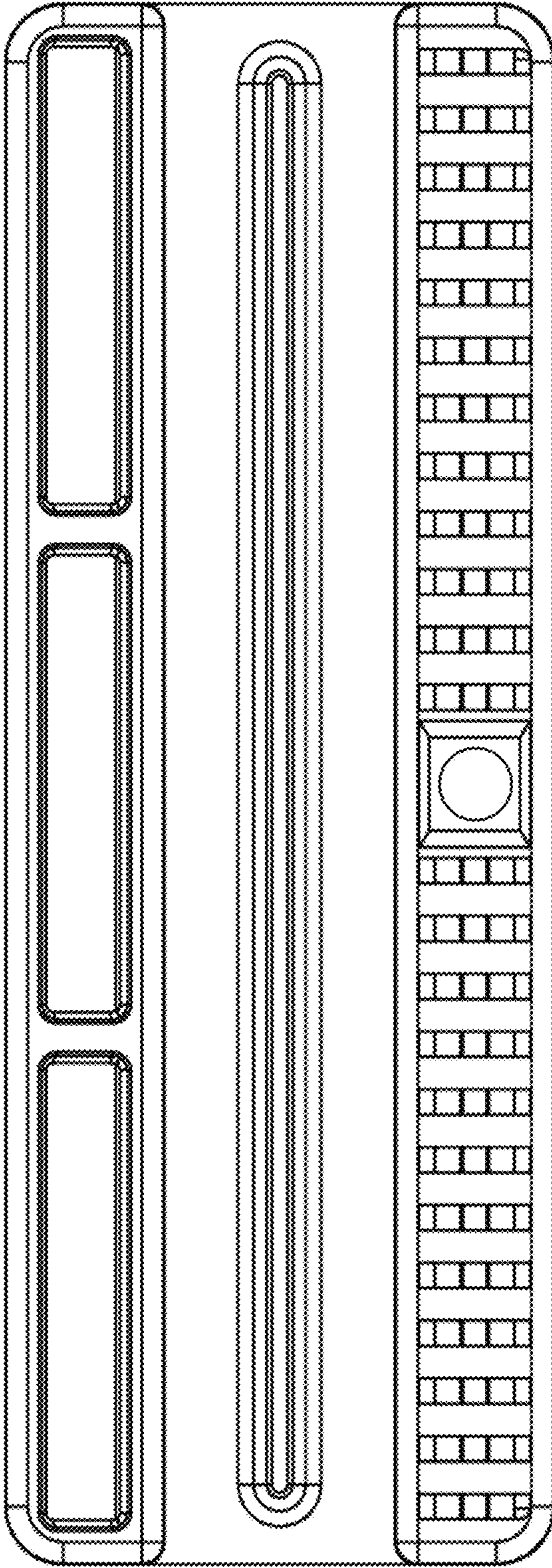


FIG. 4

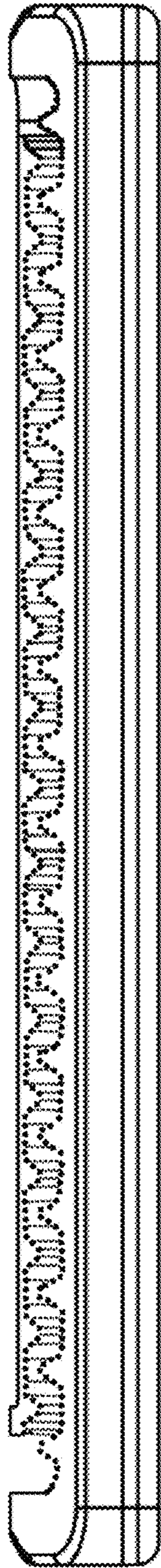


FIG. 5



FIG. 6