



US00D781114S

(12) **United States Design Patent** (10) **Patent No.:** **US D781,114 S**
DeAsis (45) **Date of Patent:** **** Mar. 14, 2017**

(54) **SALAD TONGS**

Primary Examiner — Terry Wallace

(71) Applicant: **Justin Daniel DeAsis**, Gallup, NM
(US)

(57) **CLAIM**

The ornamental design of salad tongs, as shown and described.

(72) Inventor: **Justin Daniel DeAsis**, Gallup, NM
(US)

DESCRIPTION

(**) Term: **14 Years**

FIG. 1 is a perspective view of the salad tongs showing my new design.

(21) Appl. No.: **29/517,835**

FIG. 2 is a front view thereof.

(22) Filed: **Feb. 17, 2015**

FIG. 3 is a rear view thereof.

(51) **LOC (10) Cl.** **07-06**

FIG. 4 is a left side view thereof.

(52) **U.S. Cl.**

FIG. 5 is a right side view thereof.

USPC **D7/684**

FIG. 6 is a top plan view thereof.

(58) **Field of Classification Search**

FIG. 7 is a bottom plan view thereof.

USPC D7/680–696, 393, 395, 401.2; D8/6;
D32/40, 46, 51, 52

FIG. 8 top plan view thereof.

CPC A47G 21/02; A47J 43/18; B67B 7/38
See application file for complete search history.

FIG. 9 is a cross section view thereof taken along line 9-9 of FIG. 8.

(56) **References Cited**

FIG. 10 is a cross section perspective view thereof taken along line 10-10 of FIG. 8; and,

U.S. PATENT DOCUMENTS

FIG. 11 is a perspective view thereof, the broken lines showing another salad tongs is for illustrative purposes only and form no part of the claimed.

D333,413 S * 2/1993 Kistner D7/683

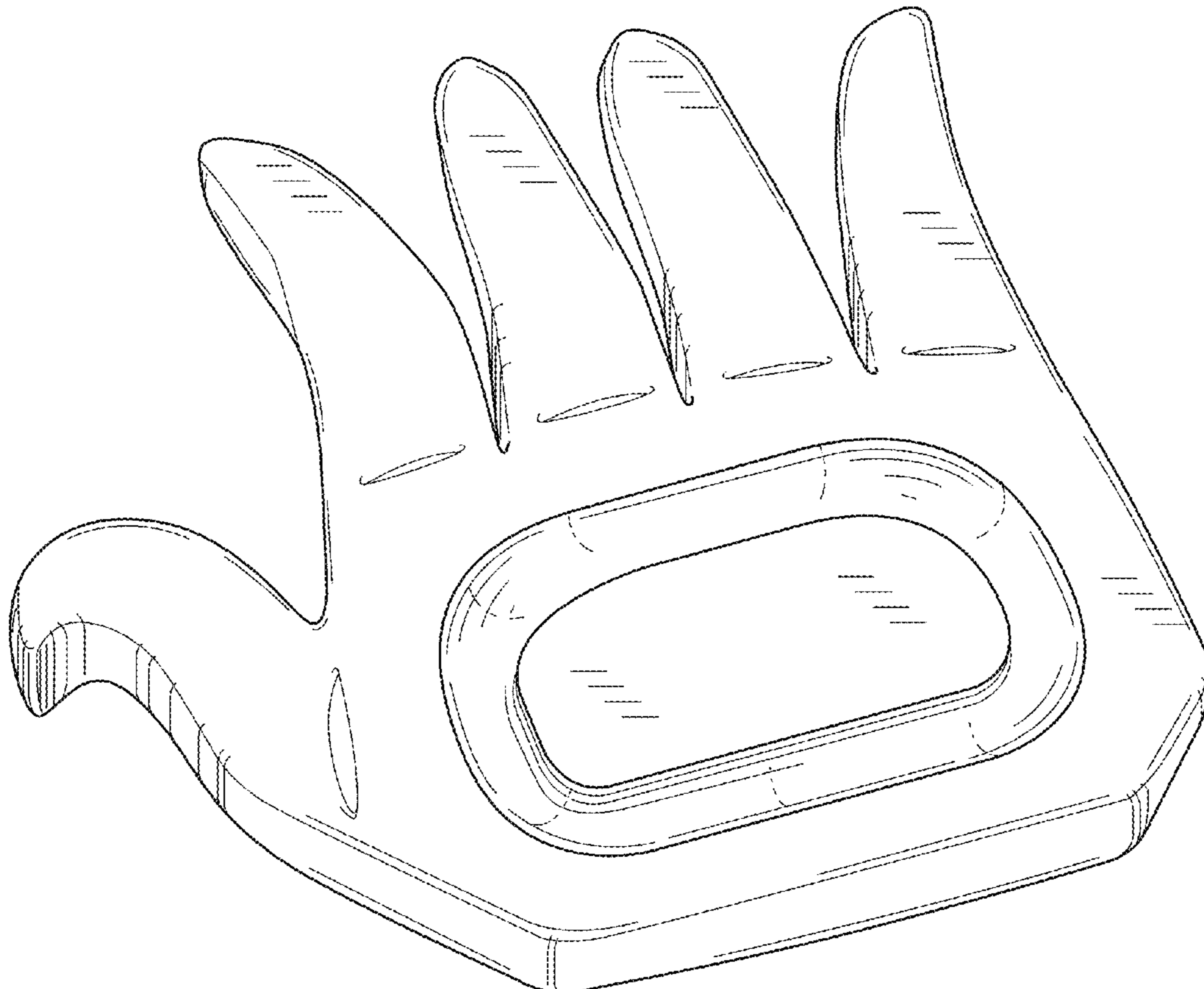
The broken lines showing a left hand in FIG. 11 are included for the purpose of illustrating environmental structure and form no part of the claimed design.

D663,171 S * 7/2012 Borovicka D7/683

D712,708 S * 9/2014 High D7/683

* cited by examiner

1 Claim, 11 Drawing Sheets



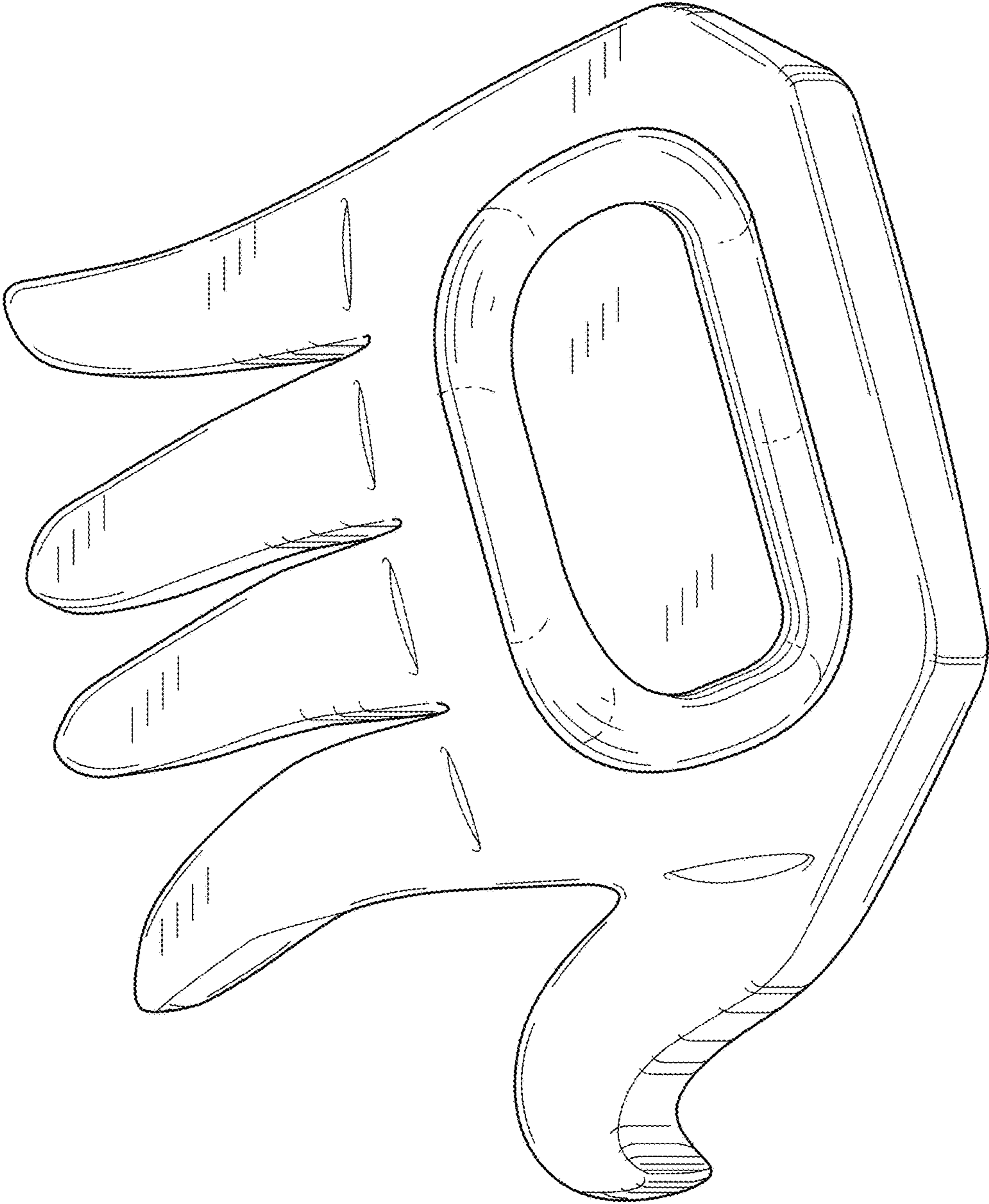


FIG. 1

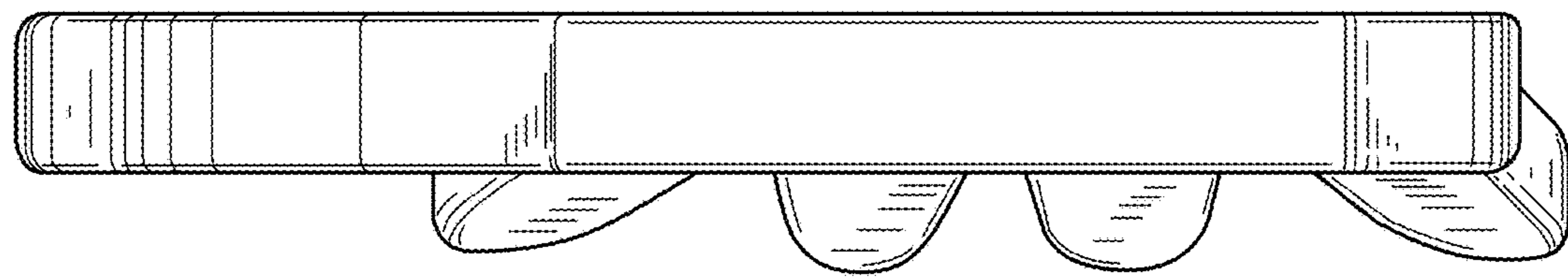


FIG. 2

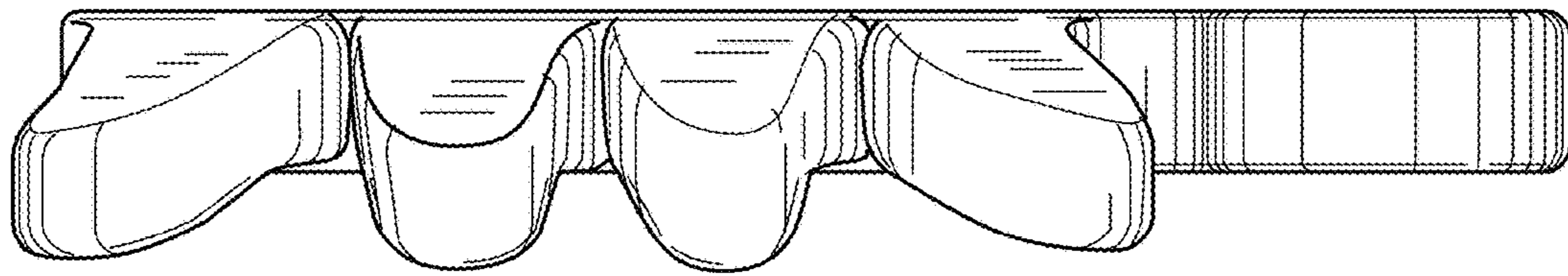


FIG. 3

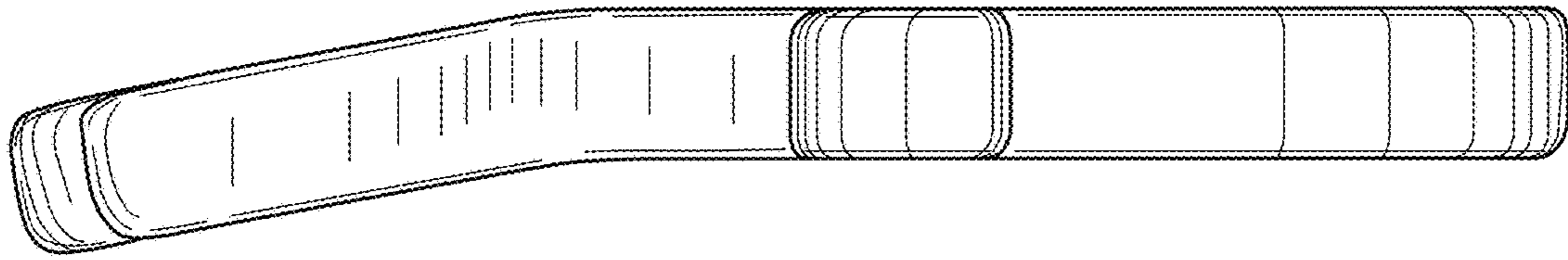


FIG. 4

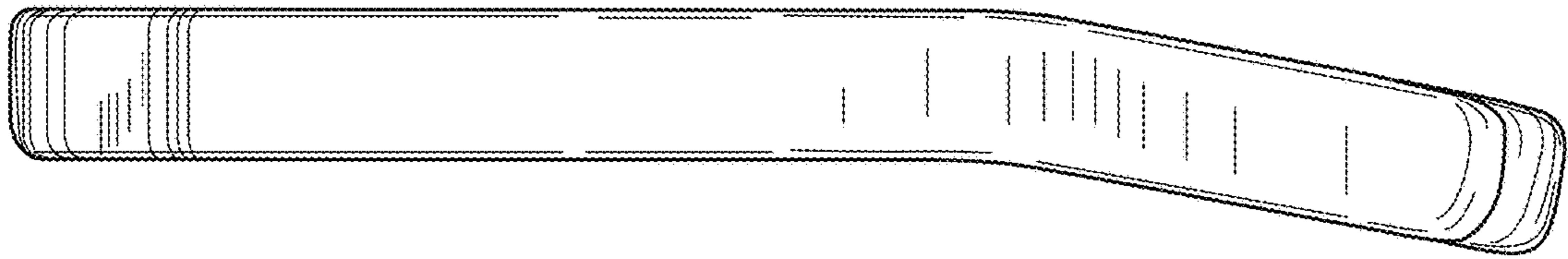


FIG. 5

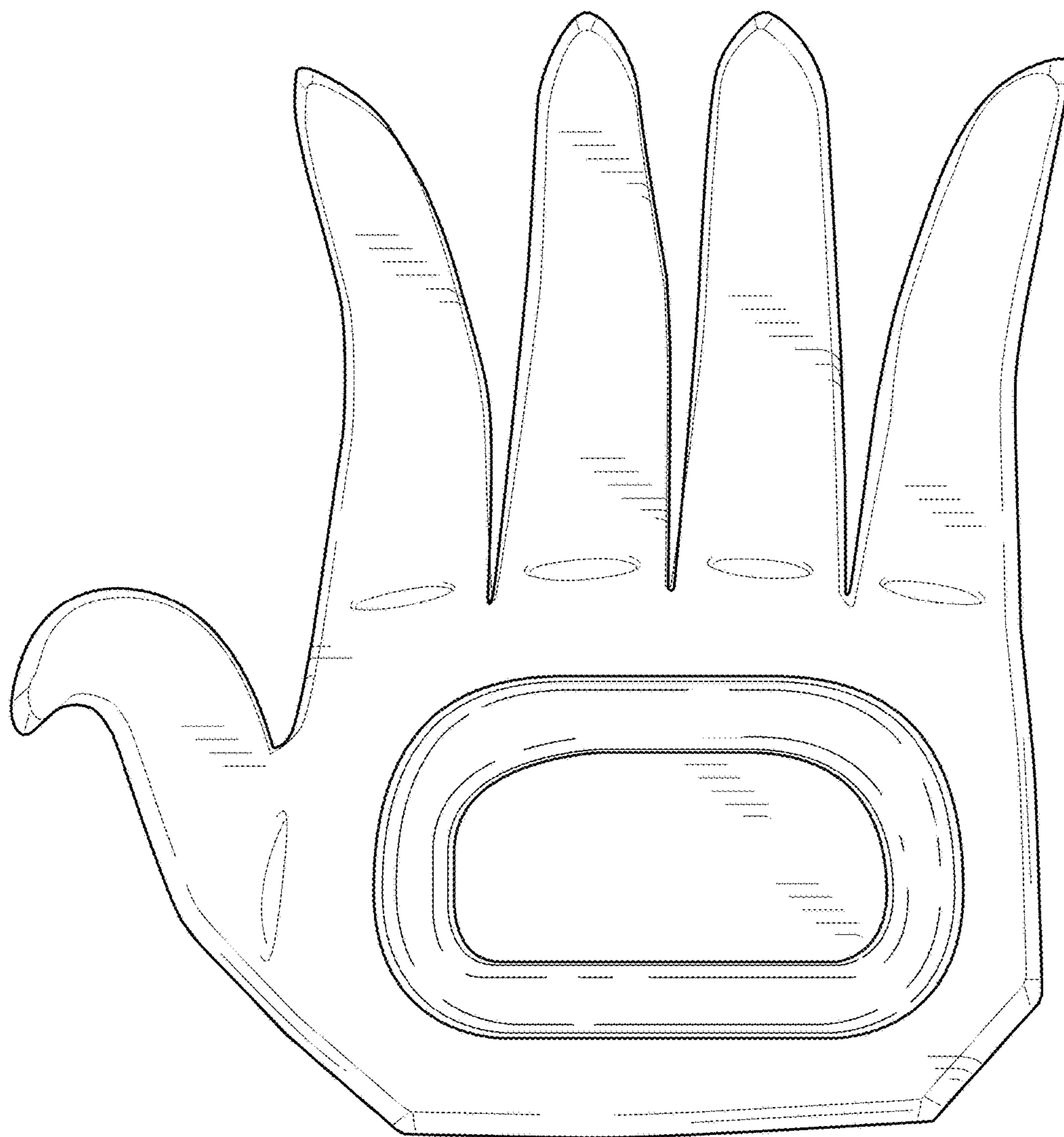


FIG. 6

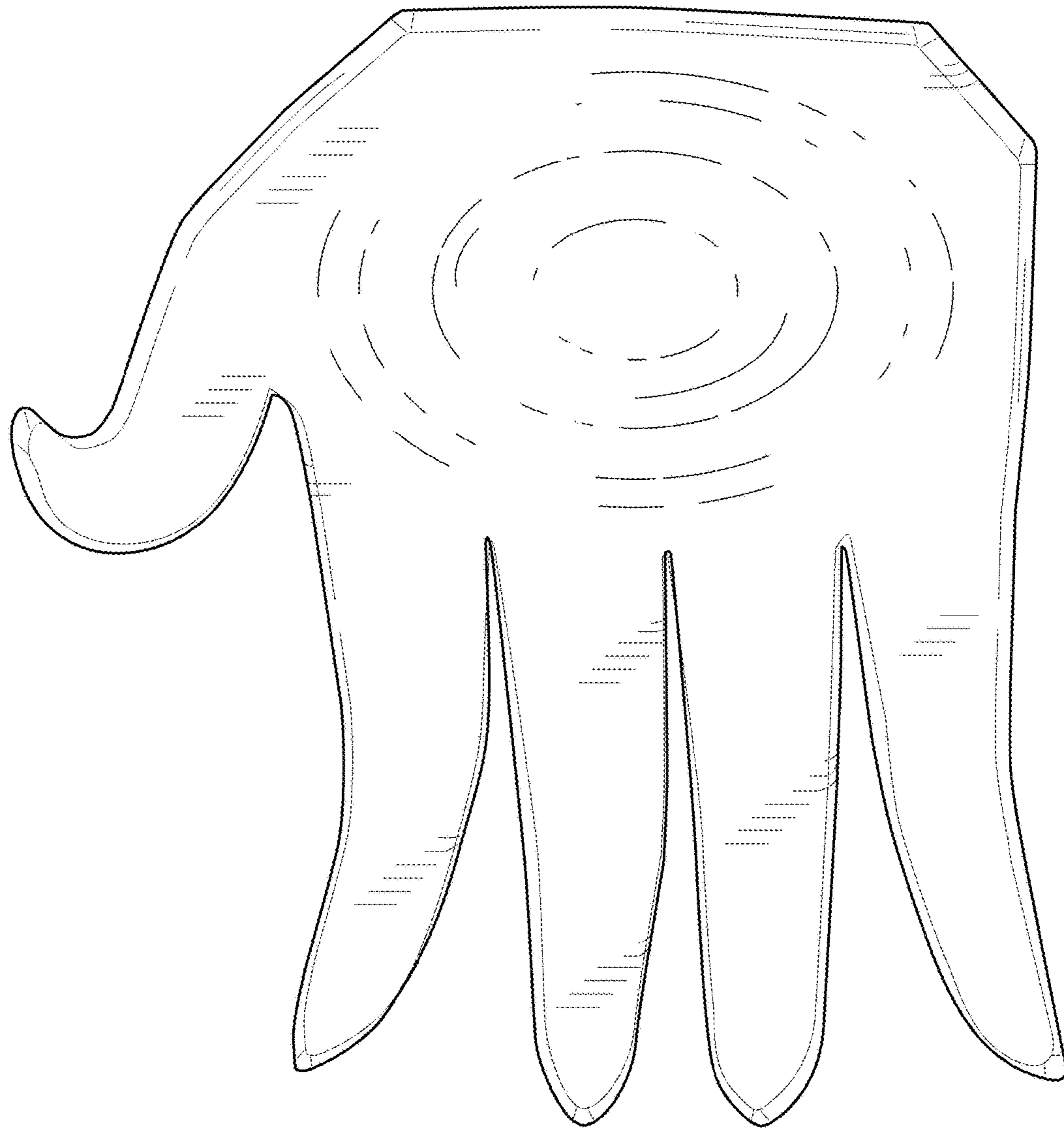


FIG. 7

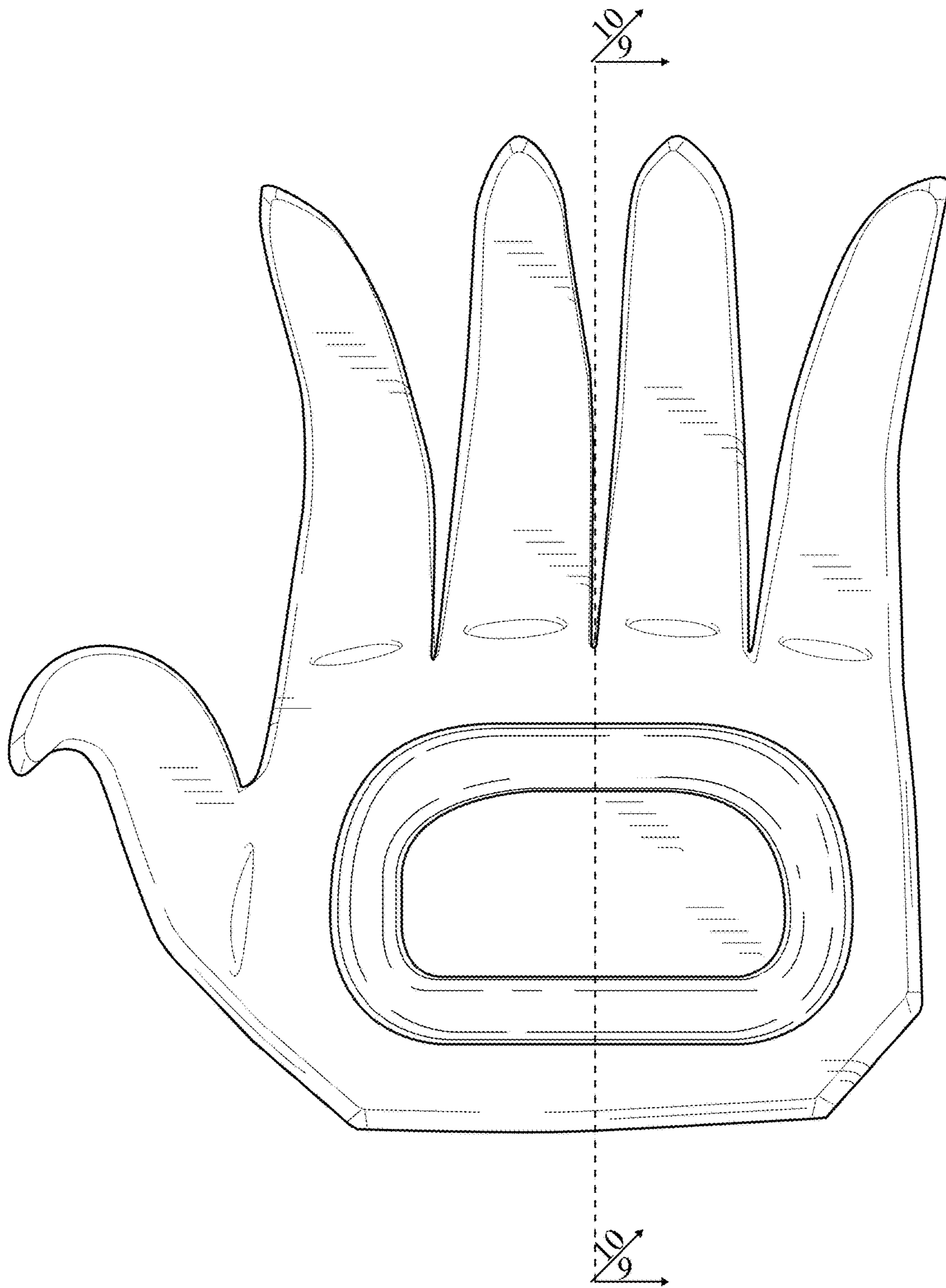


FIG. 8

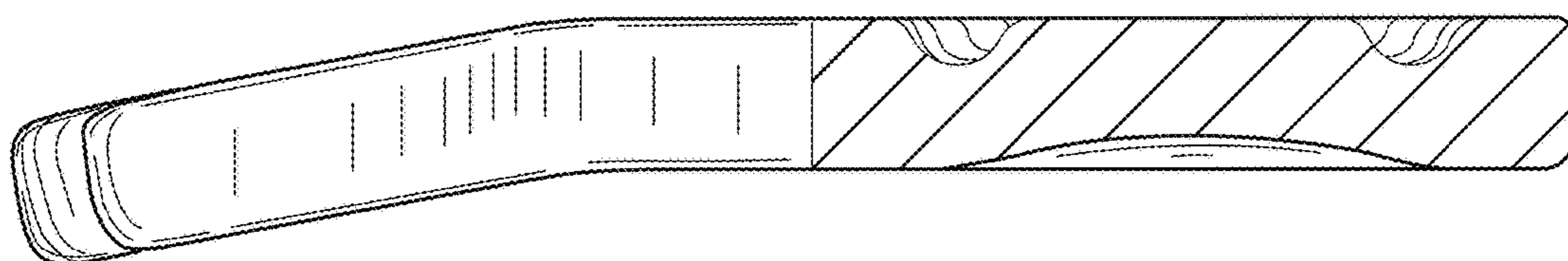


FIG. 9

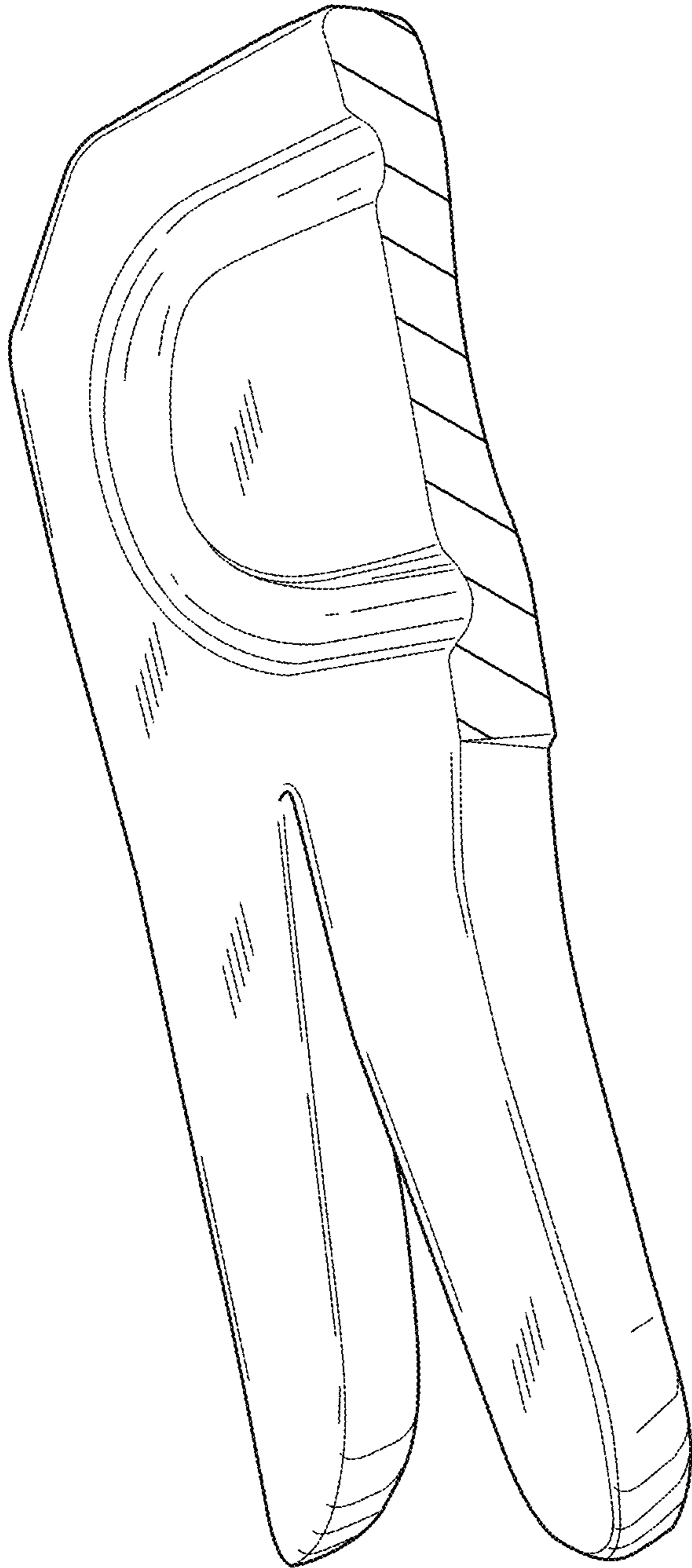


FIG. 10

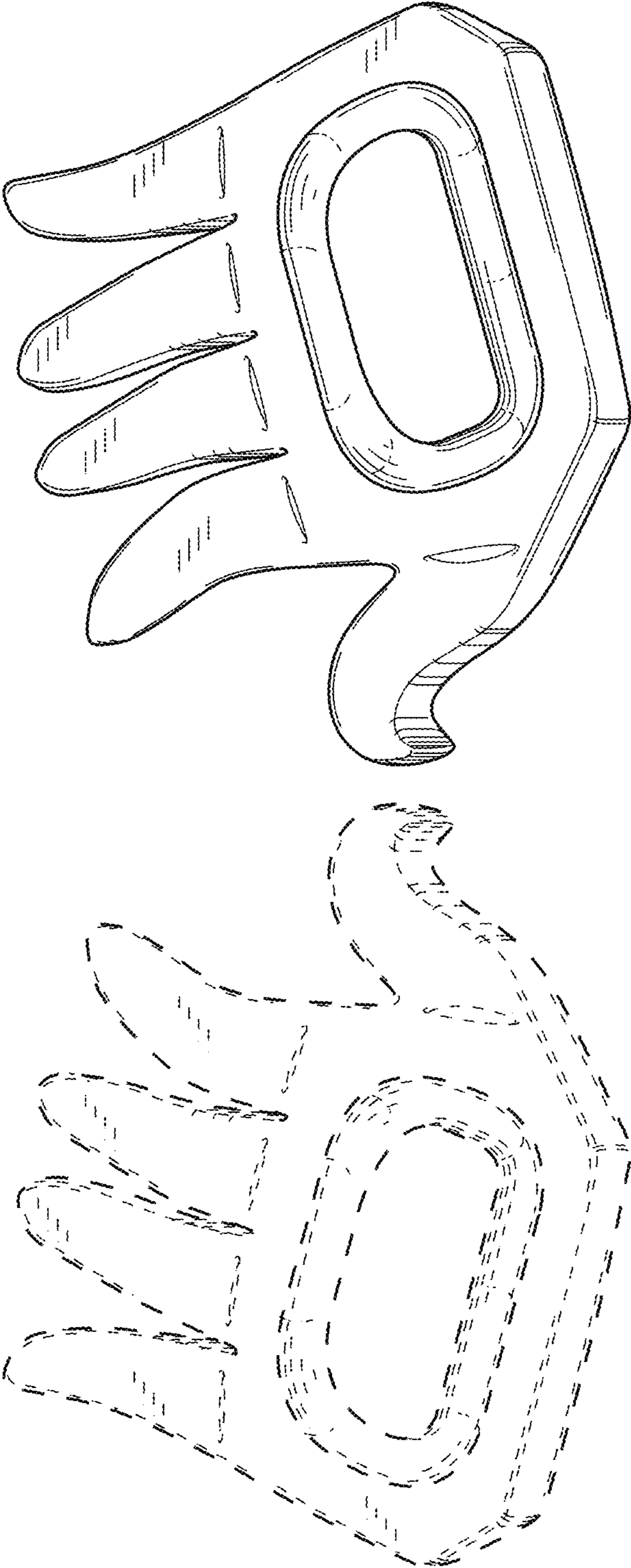


FIG. 11