



US00D781111S

(12) **United States Design Patent**
Koder et al.

(10) **Patent No.:** **US D781,111 S**
(45) **Date of Patent:** **** Mar. 14, 2017**

(54) **RACK SYSTEM FOR WINE BOTTLES**

(71) Applicant: **INVINITY WINE SYSTEM LLC**,
Glen Allen, VA (US)

(72) Inventors: **Paul Koder**, Richmond, VA (US);
Jason Michael Stoner, Richmond, VA
(US)

(73) Assignee: **InVinity Wine System LLC**, Glen
Allen, VA (US)

(**) Term: **15 Years**

(21) Appl. No.: **29/536,535**

(22) Filed: **Aug. 17, 2015**

(51) **LOC (10) Cl.** **07-06**

(52) **U.S. Cl.**

USPC **D7/619.1; D7/704; D7/620**

(58) **Field of Classification Search**

USPC D7/600.1, 601, 602, 619.1, 701, 704;
D6/672, 673; 211/41.2, 57.1, 59.2, 66,
211/74, 94.01, 181.1, 189; 248/220.41,
248/303, 312.1

CPC A47B 55/00; A47B 55/02; A47B 73/00;
A47B 73/002; A47B 73/004; A47B
73/006; A47B 73/008; A47B 69/00;
A47G 23/0266; A47J 47/16

See application file for complete search history.

(56) **References Cited**

U.S. PATENT DOCUMENTS

1,350,367 A	8/1920	Giddings
2,018,002 A	10/1935	Avery
2,524,877 A	5/1946	Bergman
3,160,278 A	12/1964	Varkala
3,285,426 A	11/1966	Wilcke
3,606,023 A	9/1971	Edmunds
4,094,415 A	6/1978	Larson

4,101,107 A	7/1978	Antoszewski
4,109,795 A	8/1978	Konigsford et al.
4,742,923 A	5/1988	Calvert
4,863,131 A	9/1989	Kinseley
4,905,846 A	3/1990	Calvert
D307,220 S *	4/1990	Kaufman, Jr. D7/704
4,944,415 A	7/1990	Orbach

(Continued)

FOREIGN PATENT DOCUMENTS

GB 2221149 A 1/1990

Primary Examiner — Keli L Hill

(74) *Attorney, Agent, or Firm* — Patent Law of Virginia,
PLLC; Brian J. Teague

(57) **CLAIM**

I claim the ornamental design for a rack system for wine
bottles, as shown and described.

DESCRIPTION

FIG. 1 is a perspective view of a rack system for wine bottles
showing the new design.

FIG. 2 is a front view thereof.

FIG. 3 is a rear view thereof.

FIG. 4 is a left side view thereof.

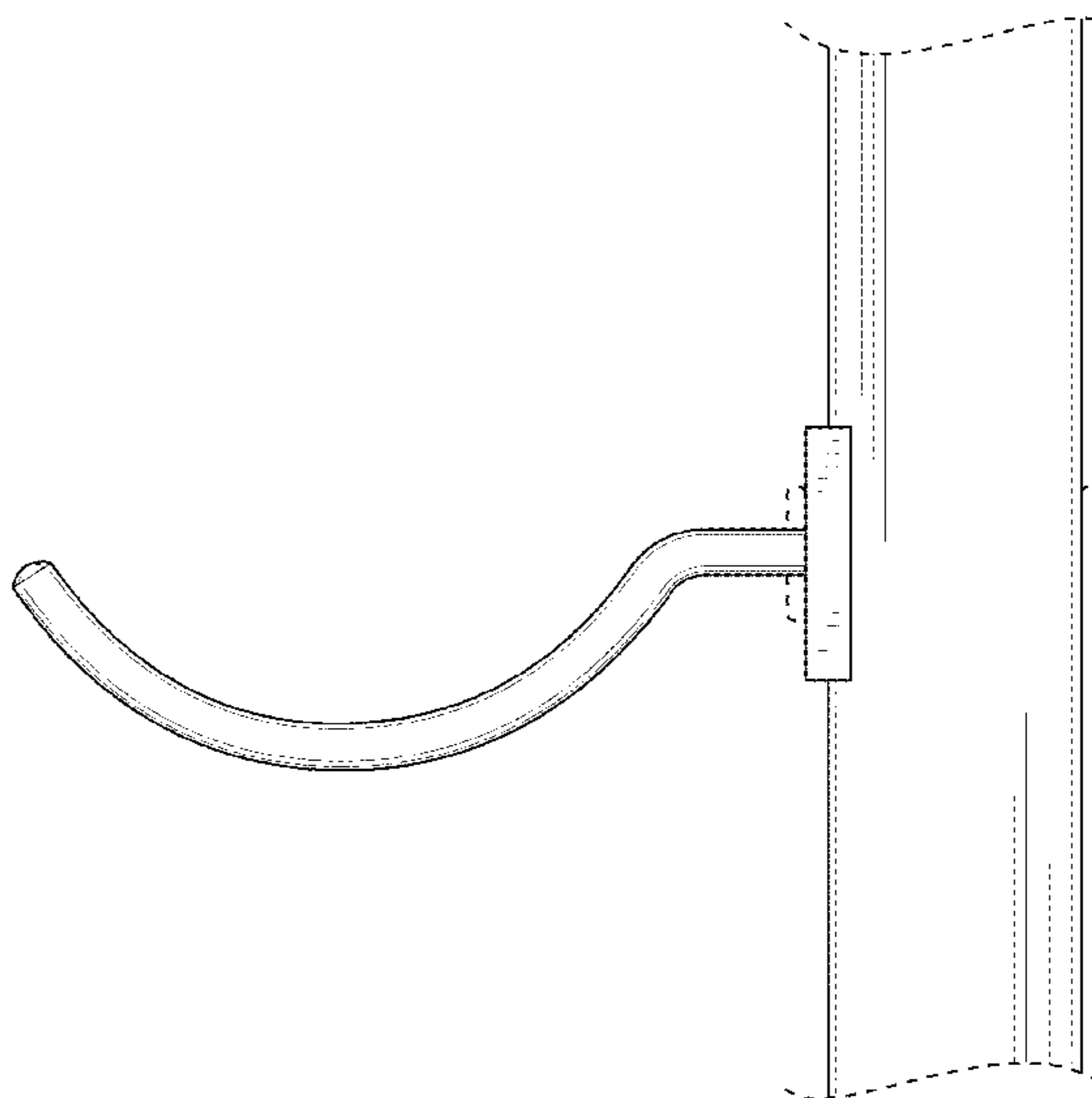
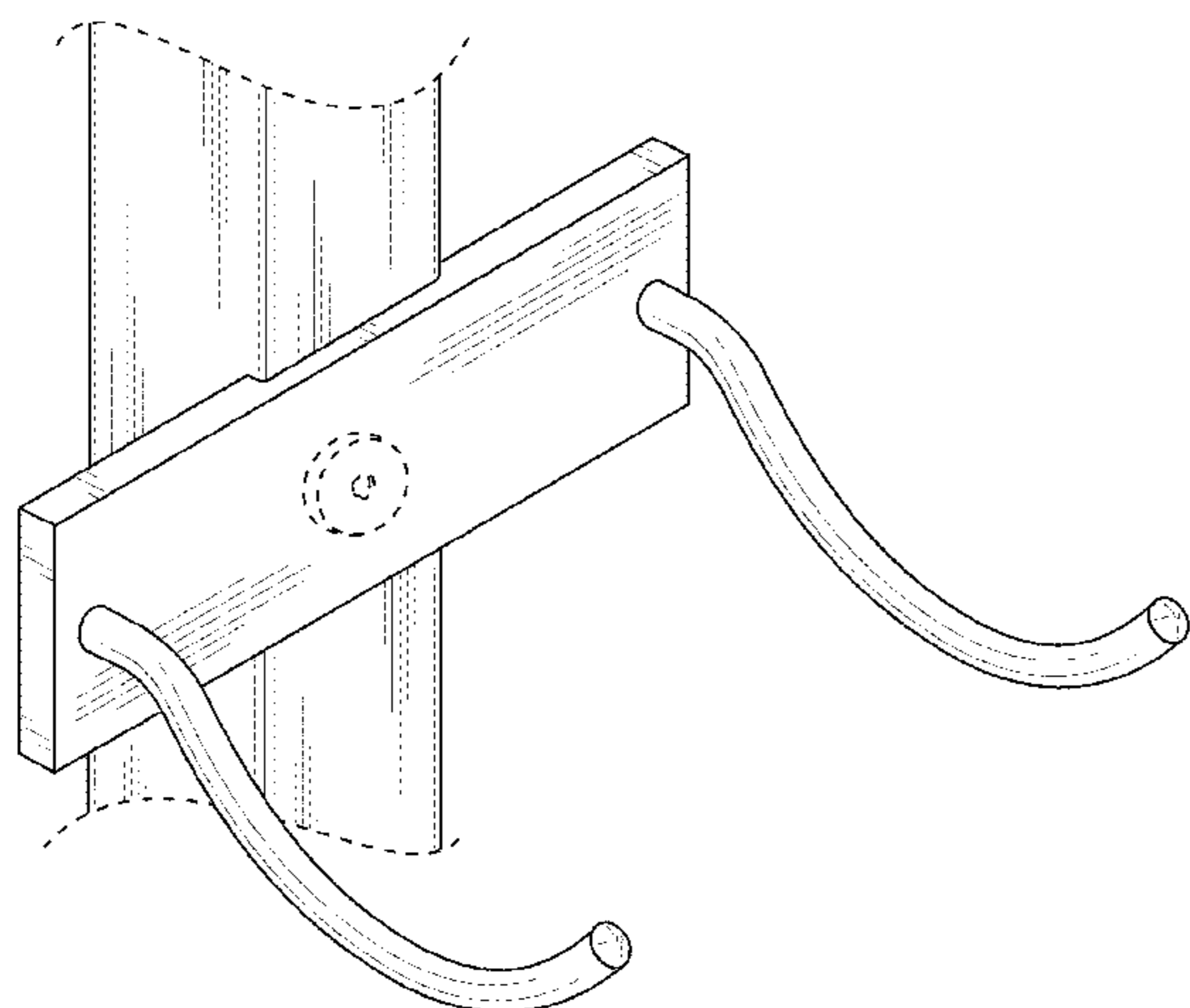
FIG. 5 is a right side view thereof.

FIG. 6 is a top view thereof; and,

FIG. 7 is a bottom view thereof.

In the drawings, the broken lines shown in the figures depict
unclaimed subject matter, and form no part of the claimed
design. The interior surfaces of the vertical column are not
claimed. The top and bottom ends of the vertical column are
shown with symbolic breaks in height in the FIGS. 1-5
drawing views. It is understood that patentability is based
only on those portions of the article that are shown in solid
lines, and the appearance of any portion of the article beyond
what is shown forms no part of the claimed design.

1 Claim, 7 Drawing Sheets



(56)

References Cited

U.S. PATENT DOCUMENTS

4,998,631	A	3/1991	Fridjhon	D655,986	S	3/2012	Schneider	
D376,299	S	12/1996	Audet	8,231,015	B2	7/2012	McCain	
5,657,884	A	8/1997	Zilincar	D675,491	S	2/2013	McNamee	
6,050,426	A	4/2000	Leurdijk	8,746,472	B2	6/2014	Thrush	
6,394,288	B1	5/2002	Hartwall	D714,107	S	9/2014	Koder	
6,443,316	B1	9/2002	Mao	8,820,543	B2	9/2014	Huang	
6,494,327	B2	12/2002	Huang	D739,189	S *	9/2015	Carpenter D7/701
6,523,704	B2	2/2003	Sanders	2003/0222191	A1	12/2003	Tsai	
6,612,448	B2	9/2003	Plutsky	2004/0069730	A1	4/2004	Woods	
6,763,956	B2	7/2004	Woods	2004/0104187	A1	6/2004	McCain	
6,820,842	B1	11/2004	Chuang	2004/0226903	A1	11/2004	Wang	
6,991,117	B2	1/2006	McCain	2006/0096936	A1	5/2006	McCain	
7,147,115	B2	12/2006	Perkins et al.	2009/0152221	A1	6/2009	Hynes	
7,377,397	B2	5/2008	Lee	2011/0132853	A1	6/2011	Drobot et al.	
D618,524	S	6/2010	Nesil et al.	2011/0309220	A1	12/2011	Collini	
7,850,017	B2	12/2010	McCain	2012/0273444	A1	11/2012	McCain	
8,016,137	B2	9/2011	Shaha	2013/0062300	A1	3/2013	Drake	
8,047,492	B2	11/2011	Wang	2014/0339182	A1	11/2014	Koder	
				2016/0007743	A1 *	1/2016	Koder A47B 57/18 211/75

* cited by examiner

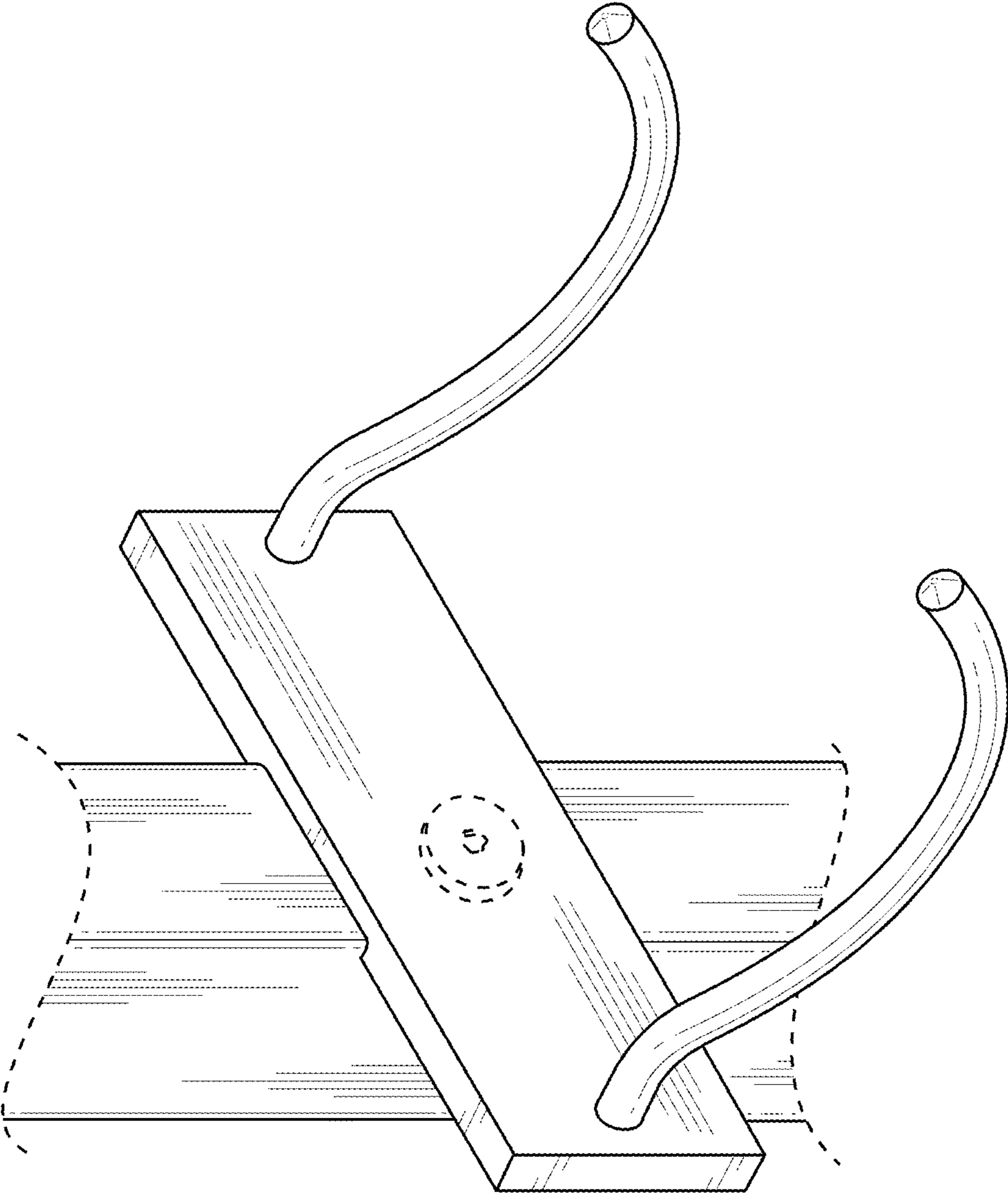


FIG. 1

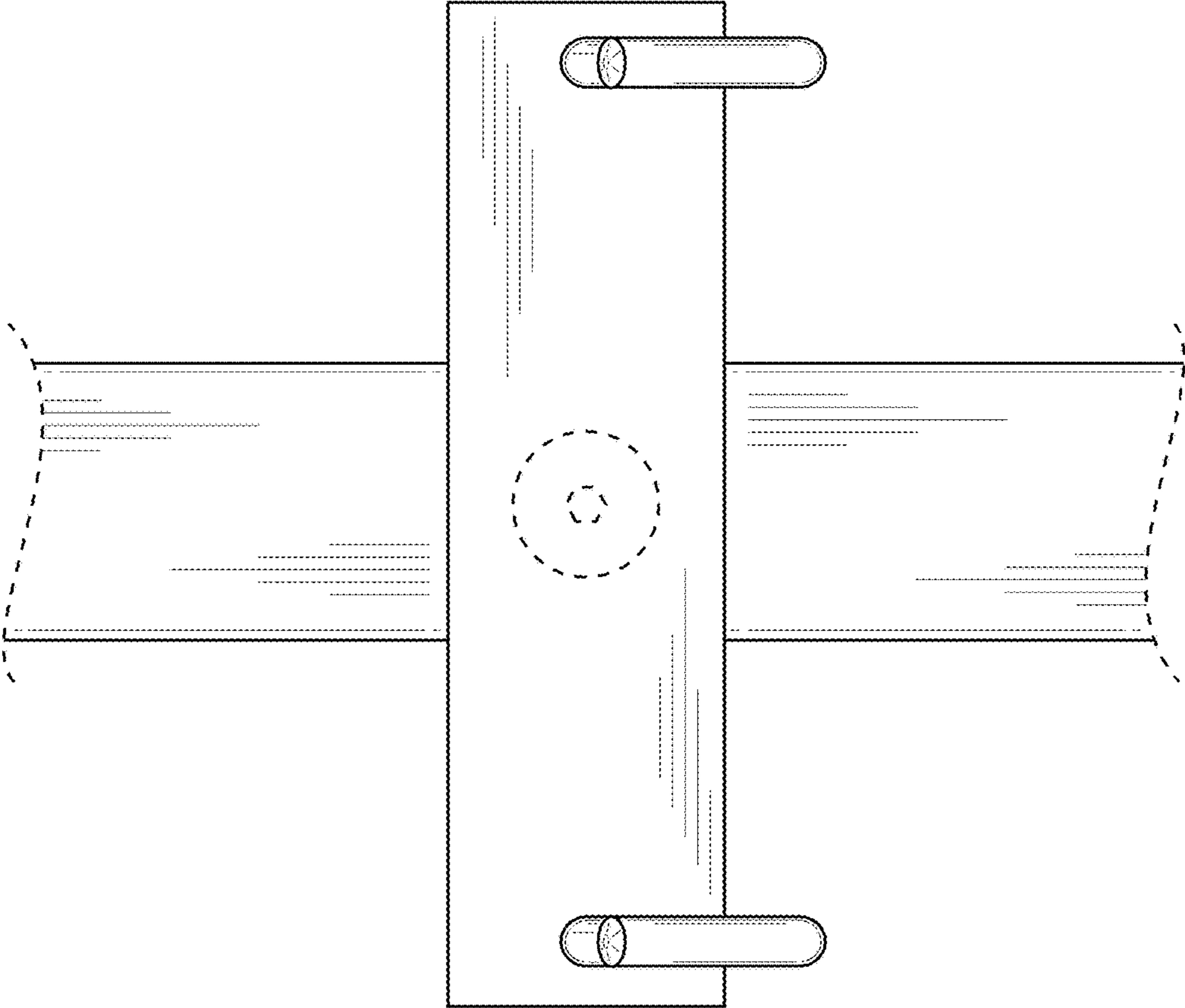


FIG. 2

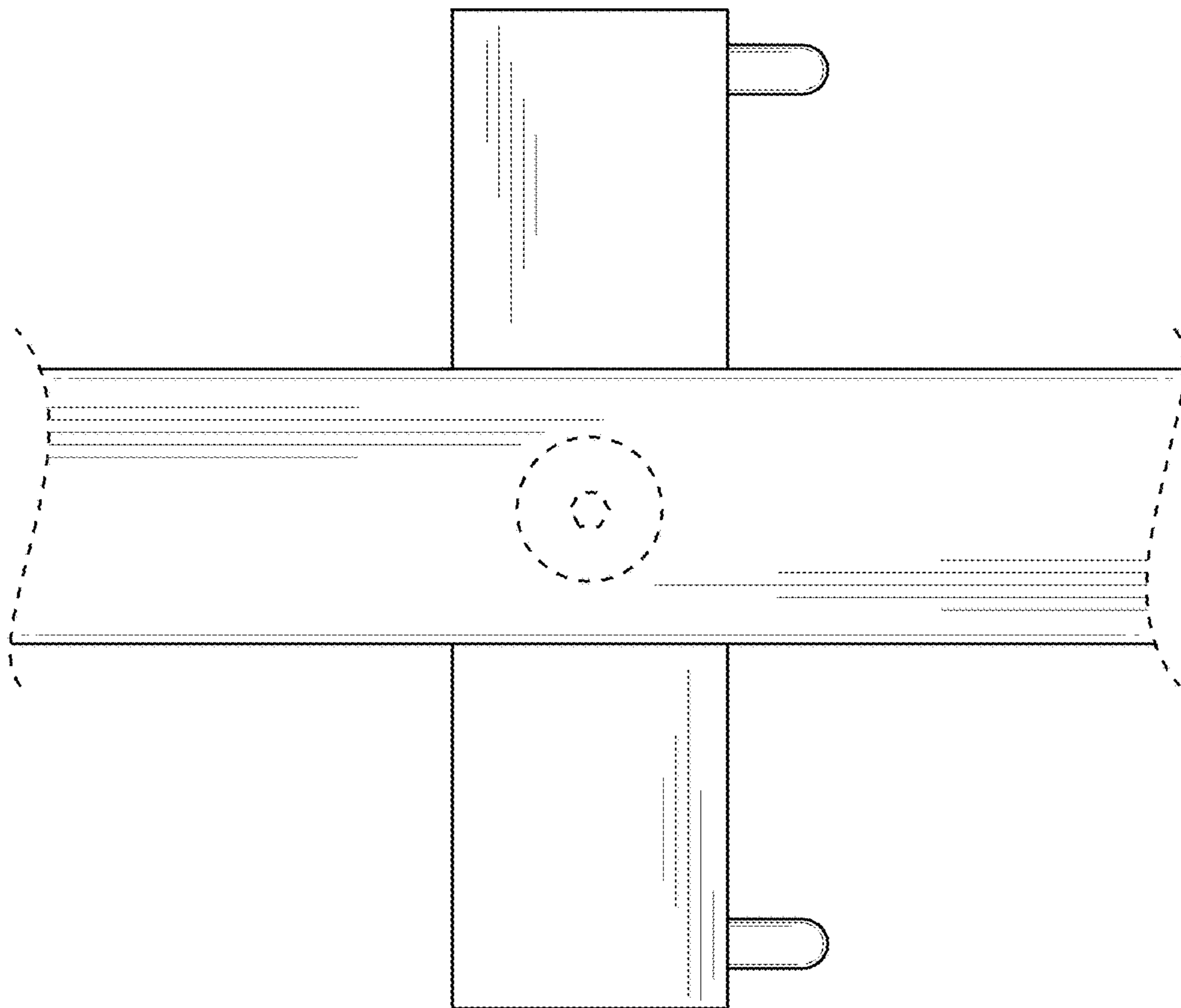


FIG. 3

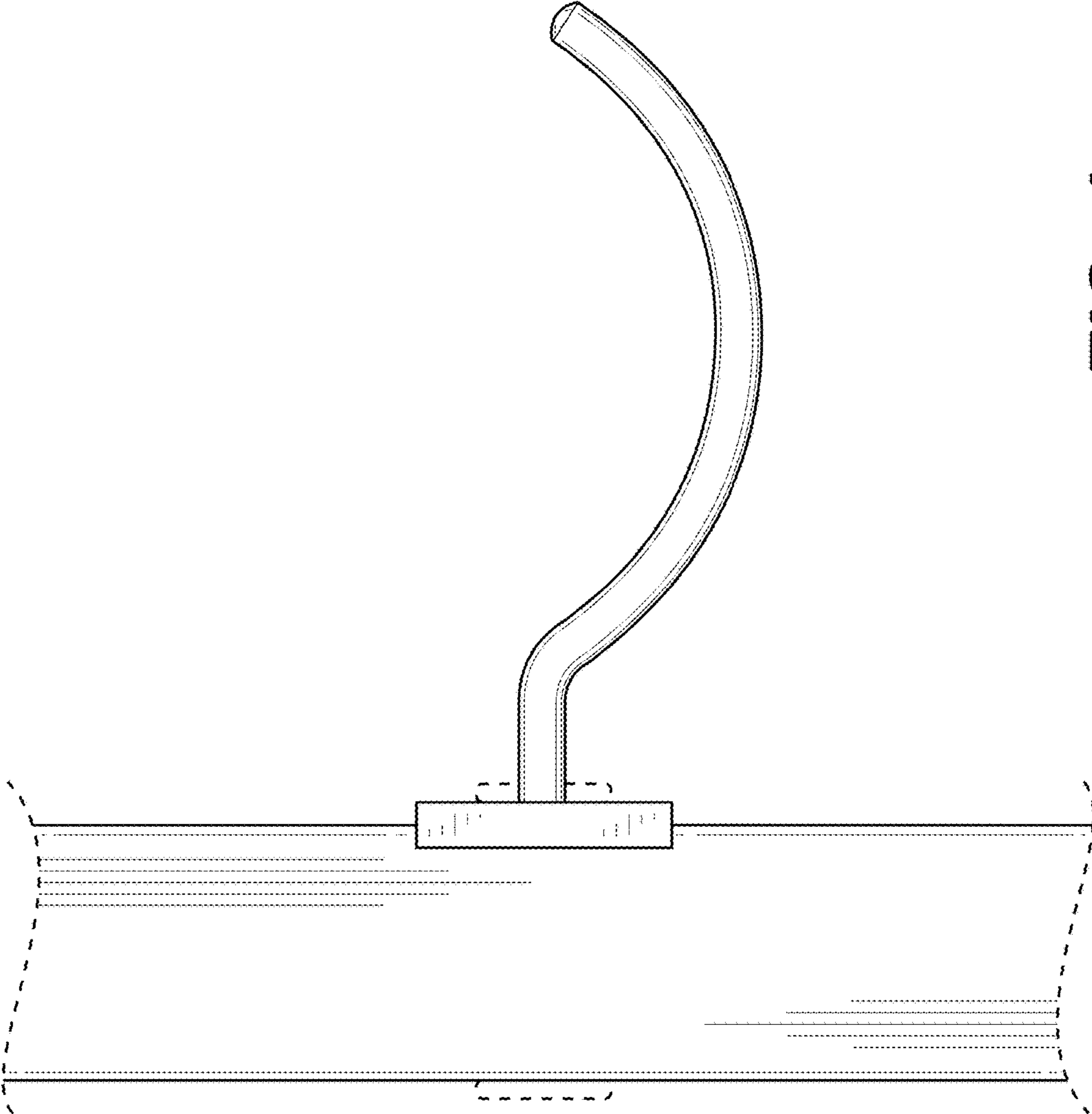


FIG. 4

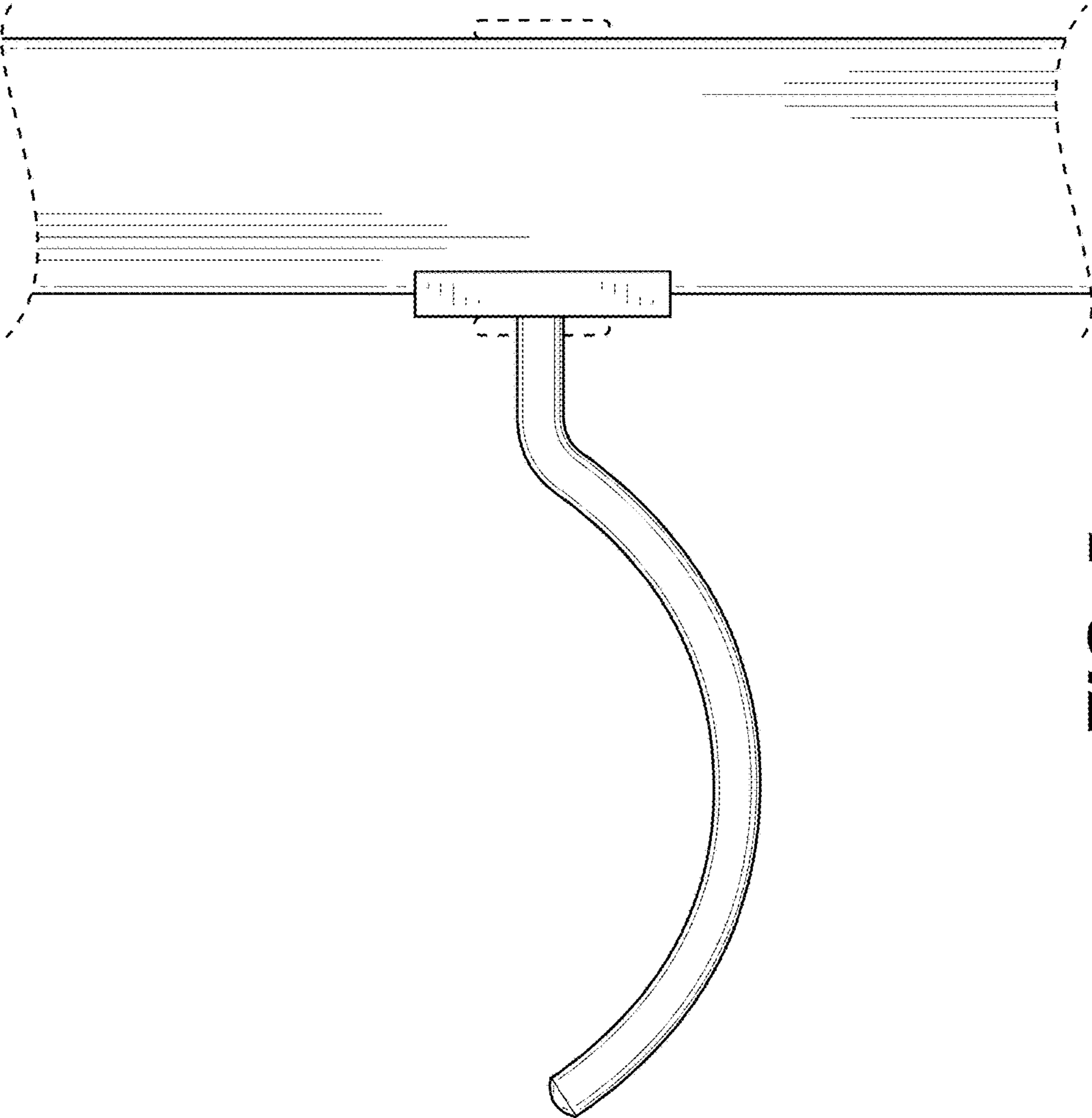


FIG. 5

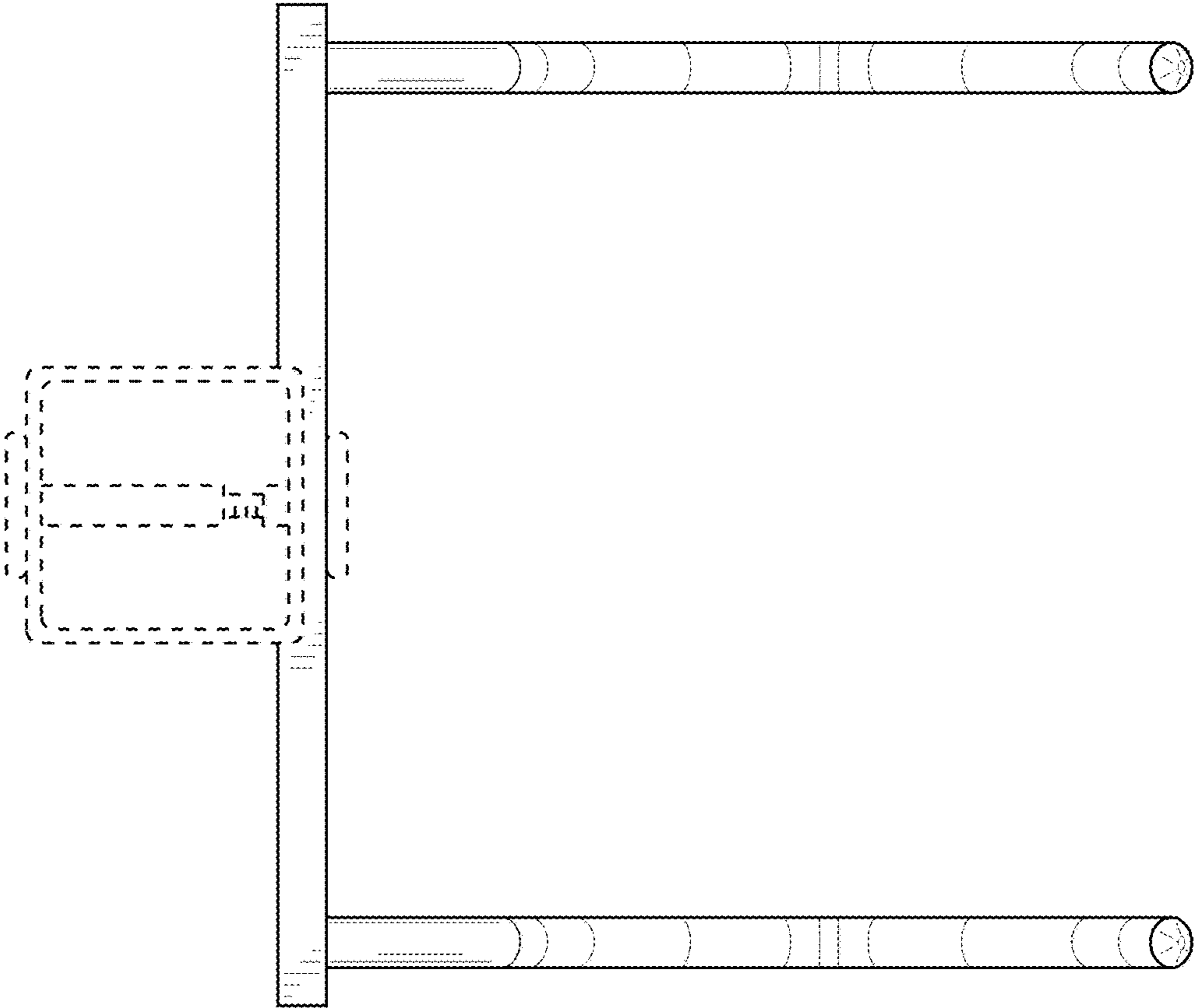


FIG. 6

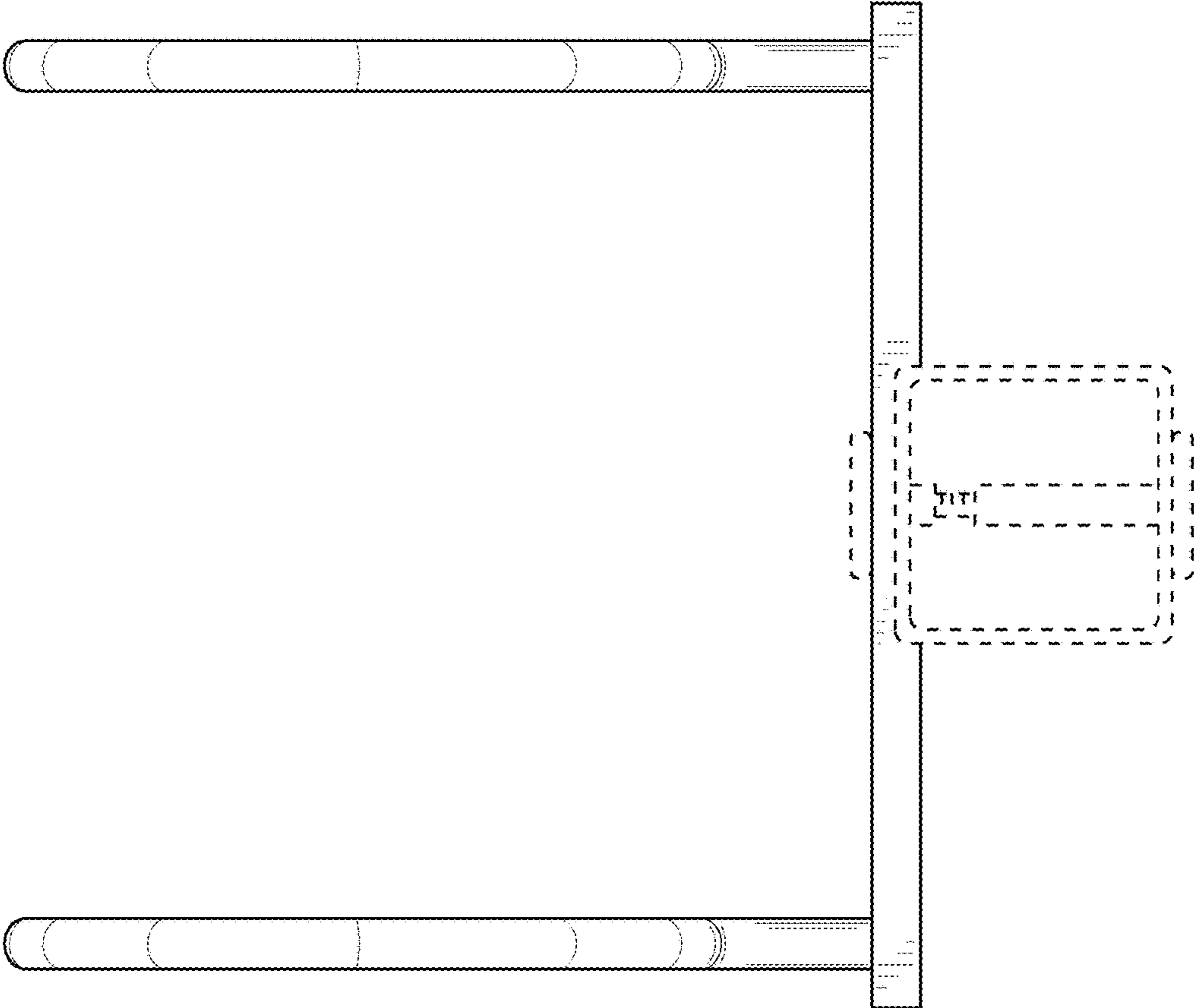


FIG. 7