



US00D781107S

(12) **United States Design Patent**  
**Welsch et al.**

(10) **Patent No.:** **US D781,107 S**  
(45) **Date of Patent:** **\*\* Mar. 14, 2017**

(54) **WATER CONTAINER**

(71) Applicant: **JIBU, L3C**, Charlotte, NC (US)

(72) Inventors: **Galen Welsch**, Charlotte, NC (US);  
**Matthew Gross**, Boulder, CO (US);  
**Randy Welsch**, Colorado Springs, CO (US)

(73) Assignee: **Jibu, L3C**, Colorado Springs, CO (US)

(\*\*) Term: **15 Years**

(21) Appl. No.: **29/529,529**

(22) Filed: **Jun. 8, 2015**

(51) **LOC (10) Cl.** ..... **07-01**

(52) **U.S. Cl.**

USPC ..... **D7/536**; D7/533; D7/532; D9/531

(58) **Field of Classification Search**

USPC ..... D7/509, 510, 511, 523, 529, 532, 533,  
D7/535, 536, 300, 300.1, 608, 629, 387,  
D7/304-315, 534, 396.1, 524, 537, 572,  
D7/392.1, 391; D9/503, 504, 531, 530,  
D9/566, 544, 549, 550, 553, 554, 516,  
D9/537, 454, 434; 215/228, 229;  
220/592.2, 592.16, 592.17; D23/202,  
D23/207; 99/281, 305, 307; 222/146.6;  
141/247  
CPC .... A47G 19/22; A47G 19/2227; A47G 19/02;  
A47G 19/025; A47G 19/2288; Y10S  
220/903  
See application file for complete search history.

(56) **References Cited**

**U.S. PATENT DOCUMENTS**

D360,109 S \* 7/1995 Blankenburg ..... D7/514  
D498,420 S \* 11/2004 Cadotte ..... D9/524  
D514,940 S \* 2/2006 Darr ..... D9/523

D535,146 S \* 1/2007 Grundmann ..... D7/394  
D582,285 S \* 12/2008 Cracchiolo ..... D7/608  
D639,608 S \* 6/2011 Tohm, Sr. .... D7/536  
D642,020 S \* 7/2011 Fu ..... D7/533  
D670,172 S \* 11/2012 Bruscha ..... D9/542  
D692,306 S \* 10/2013 Lee ..... D9/541  
D693,632 S \* 11/2013 Dolvin ..... D7/394  
D709,733 S \* 7/2014 Rinderer ..... D7/603  
D728,375 S \* 5/2015 Washington ..... D9/542  
D769,123 S \* 10/2016 Hegarty ..... D9/527

\* cited by examiner

*Primary Examiner* — Marianne Pandozzi

*Assistant Examiner* — Jae Liang

(74) *Attorney, Agent, or Firm* — Martensen IP

(57) **CLAIM**

The ornamental design for a water container, as shown and described.

**DESCRIPTION**

The present application is related to commonly assigned U.S. patent application Ser. No. 29/529,530 filed Jun. 8. FIG. 1 is a top front perspective view of a water container showing our new design;

FIG. 2 is a bottom view thereof;

FIG. 3 is a front view thereof;

FIG. 4 is a rear view thereof;

FIG. 5 is a right side view thereof;

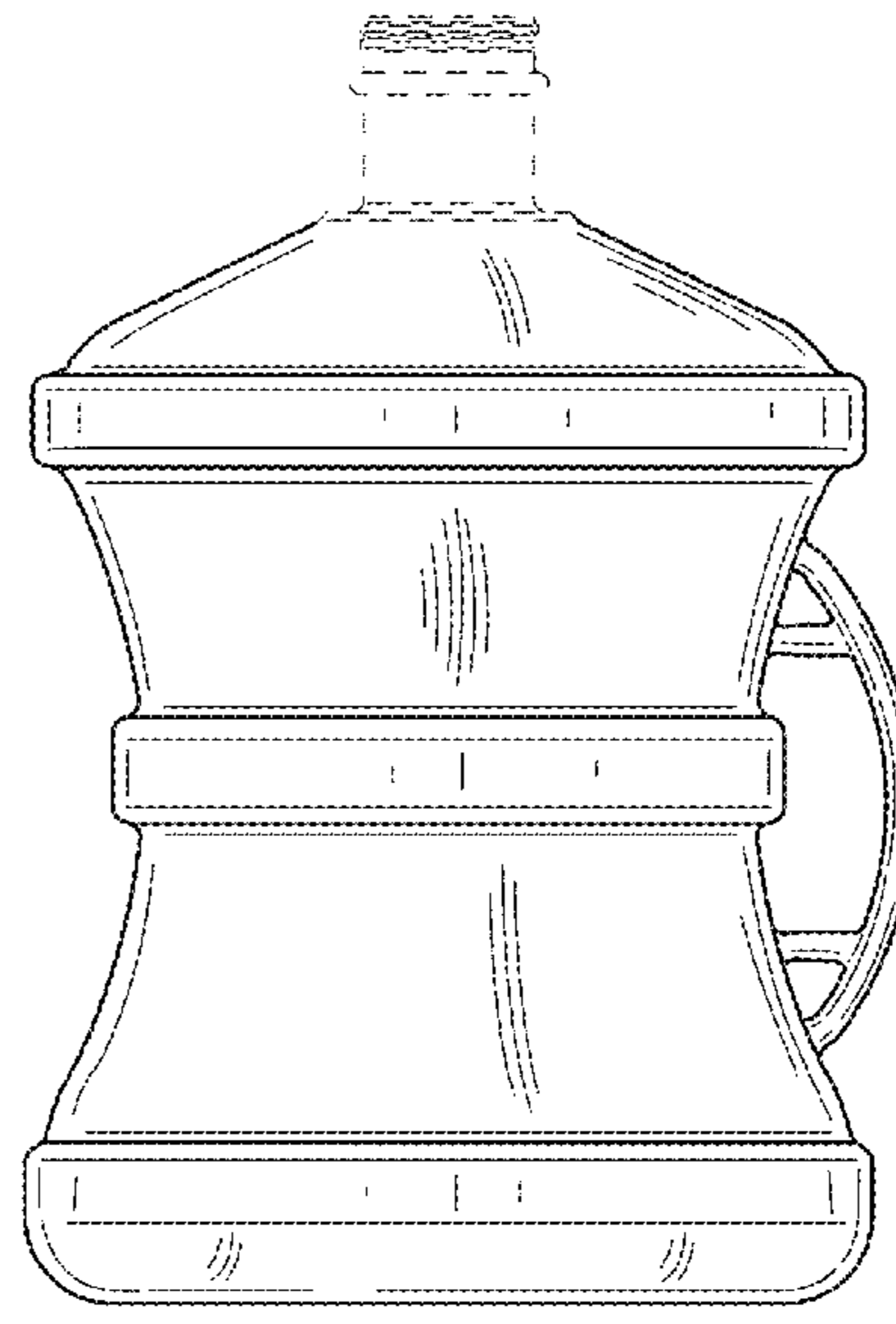
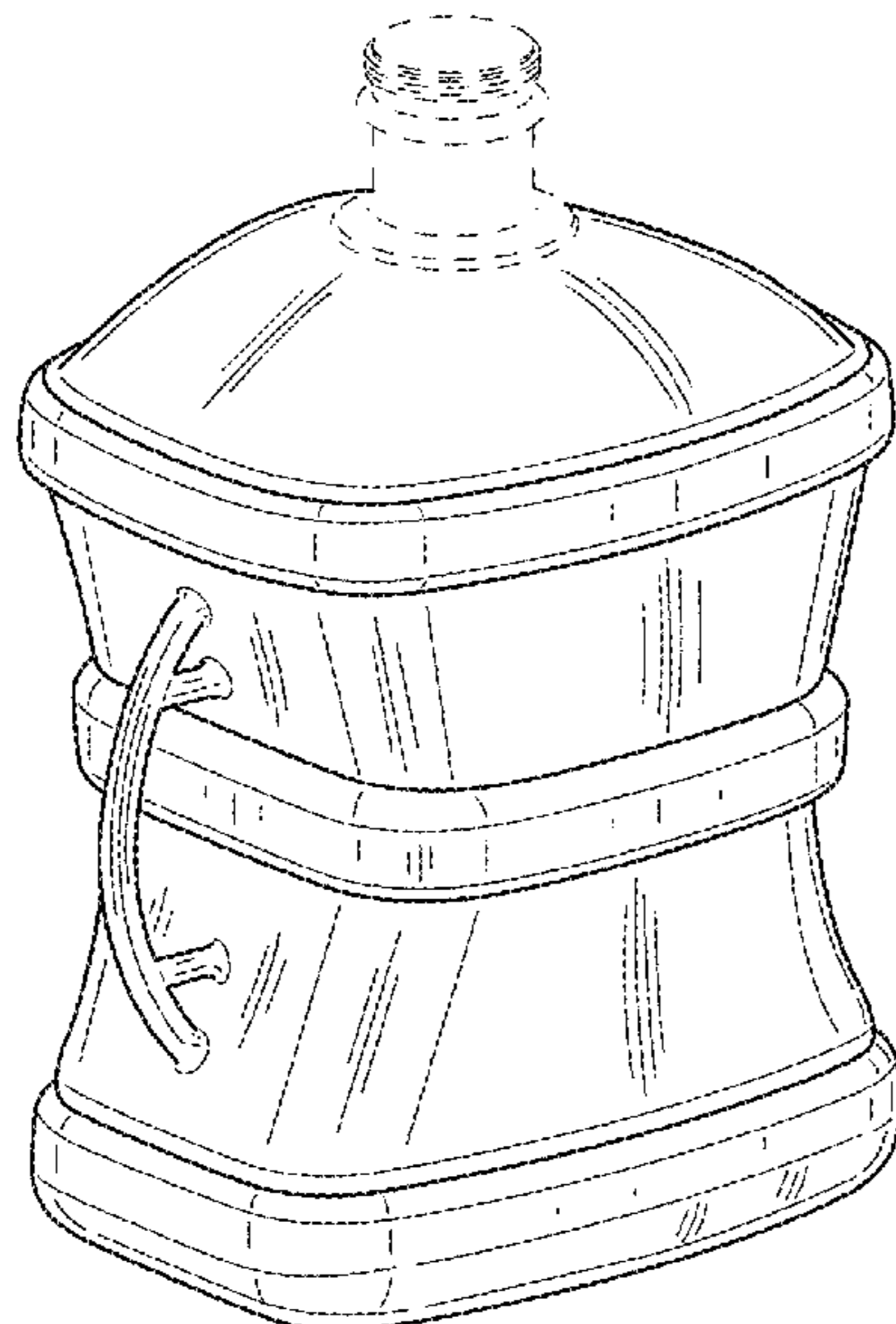
FIG. 6 is a left side view thereof; and,

FIG. 7 is a top view thereof.

The broken lines in the drawing depict portions of the water container that form no part of the claimed design.

The present application is for the ornamental design of water container having, among other things, an integrated handle. While not part of the design, the water container normally includes a logo or image positioned on one or more faces of the container.

**1 Claim, 7 Drawing Sheets**



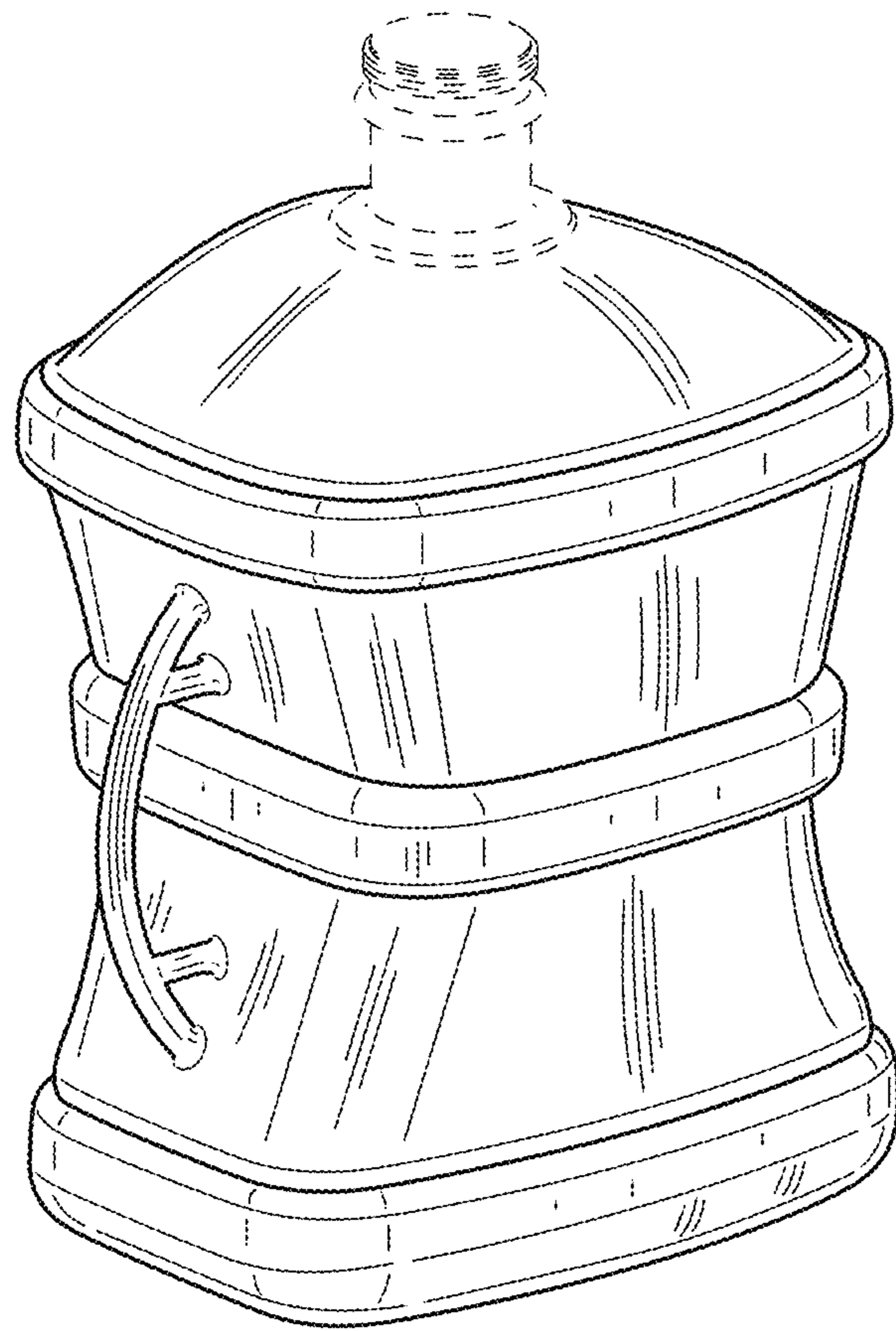


FIG.1

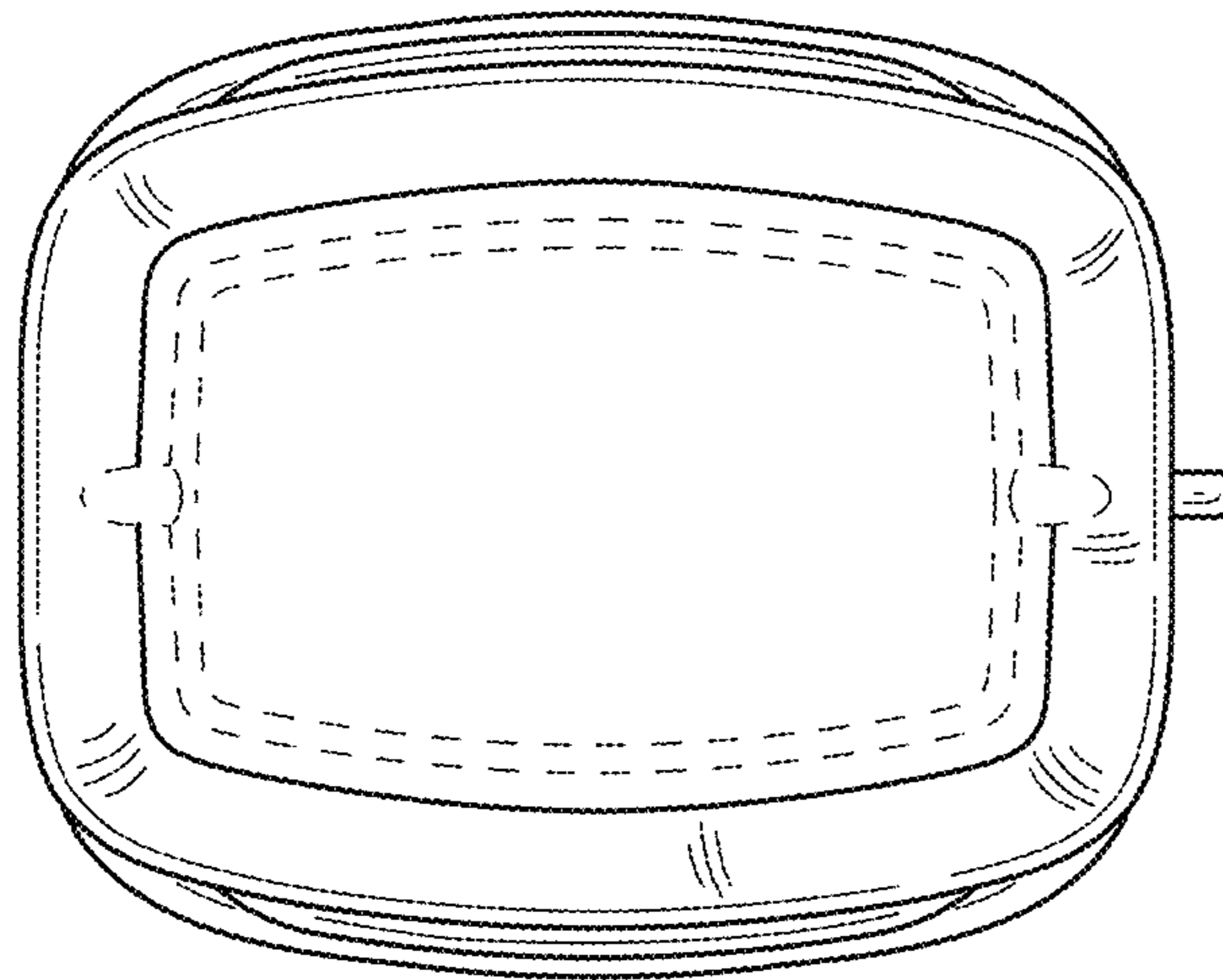


FIG. 2

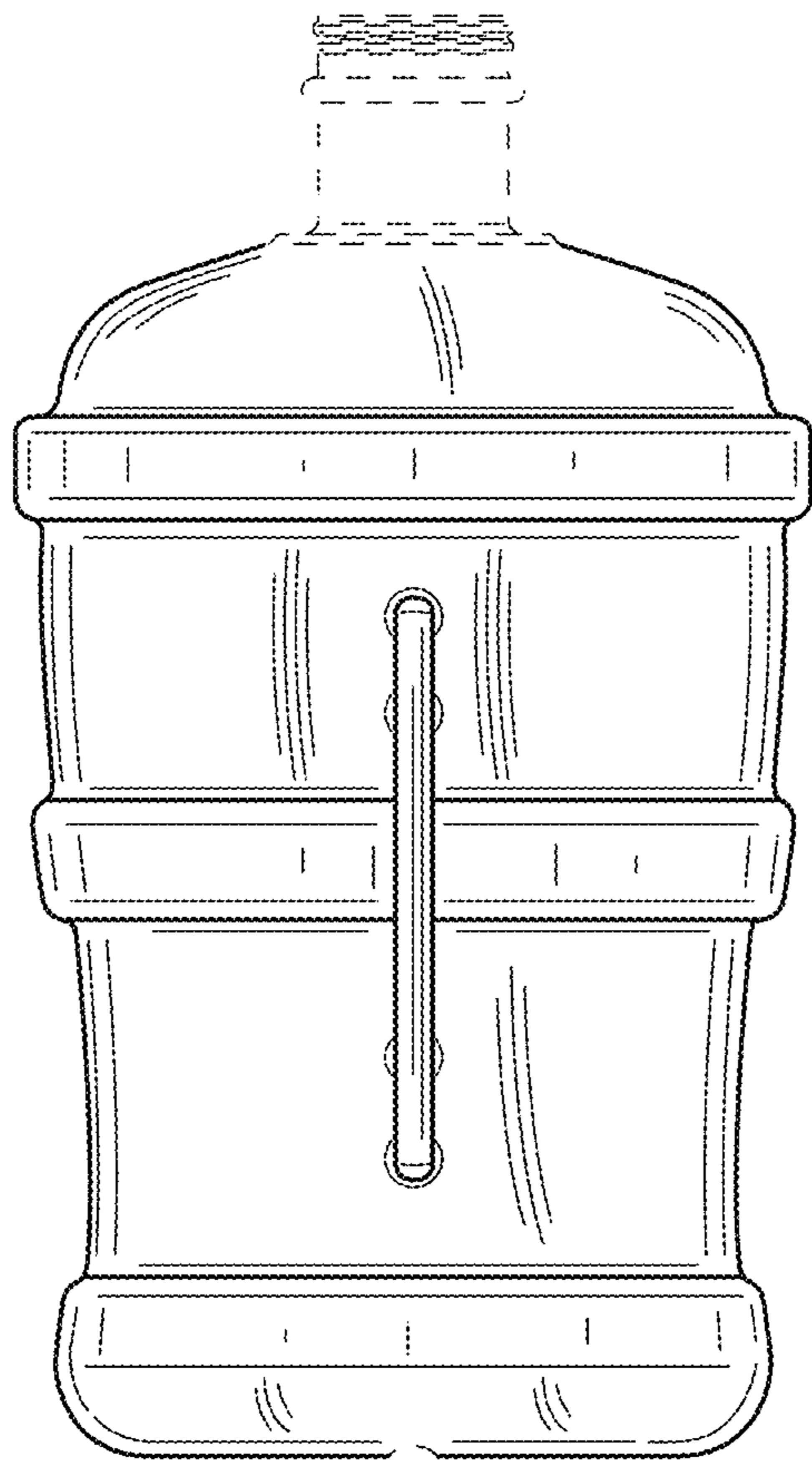


FIG.3

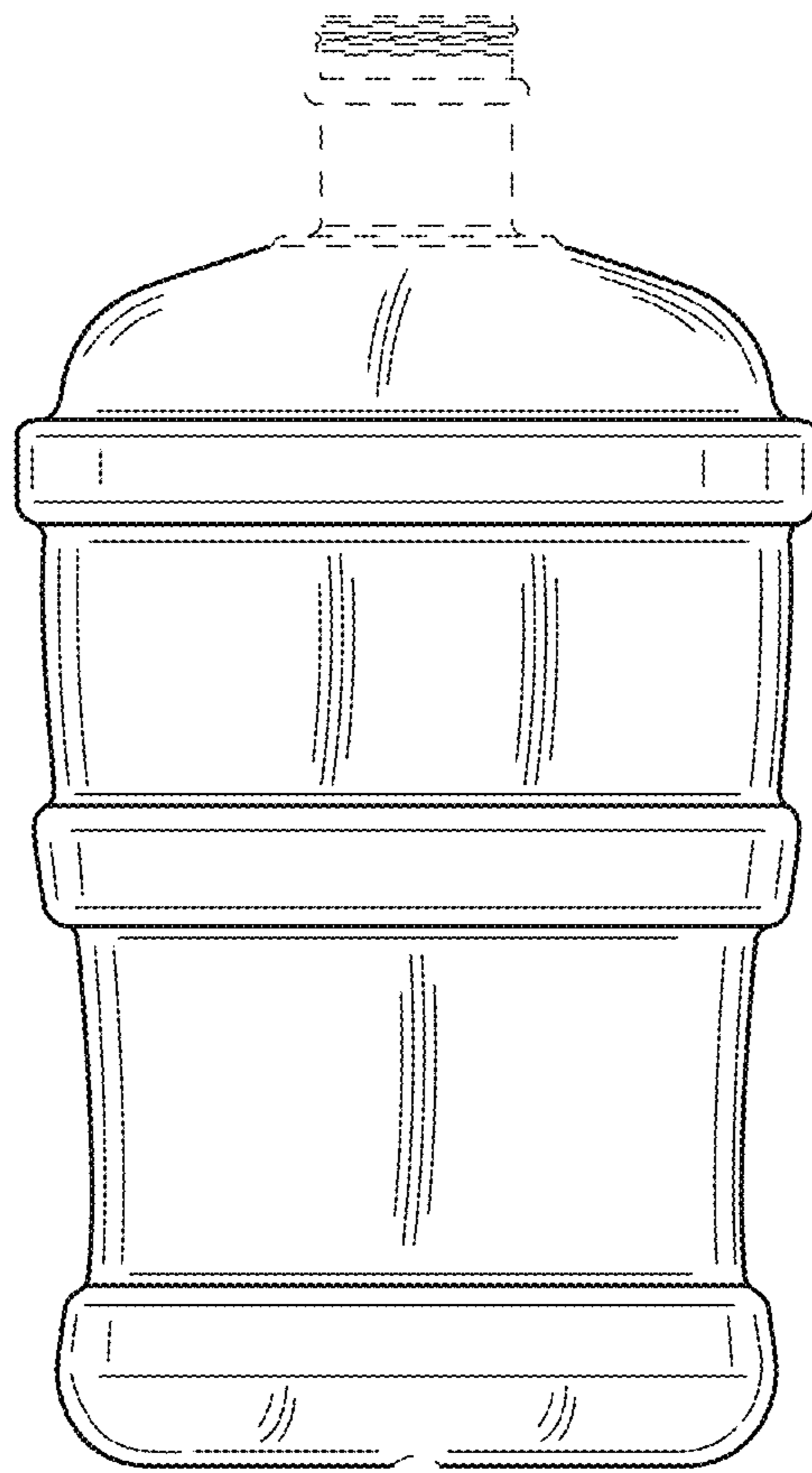


FIG.4

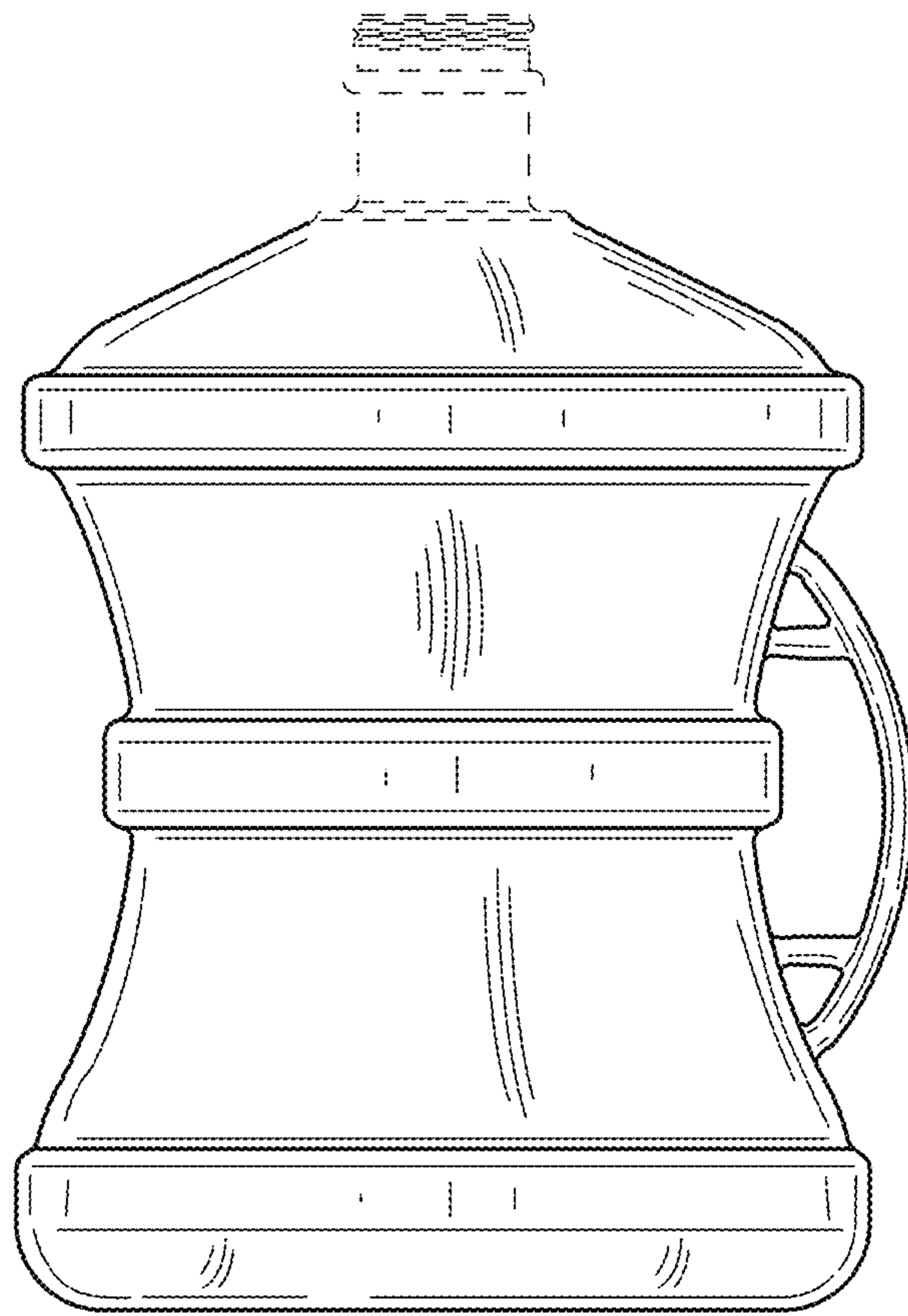


FIG.5

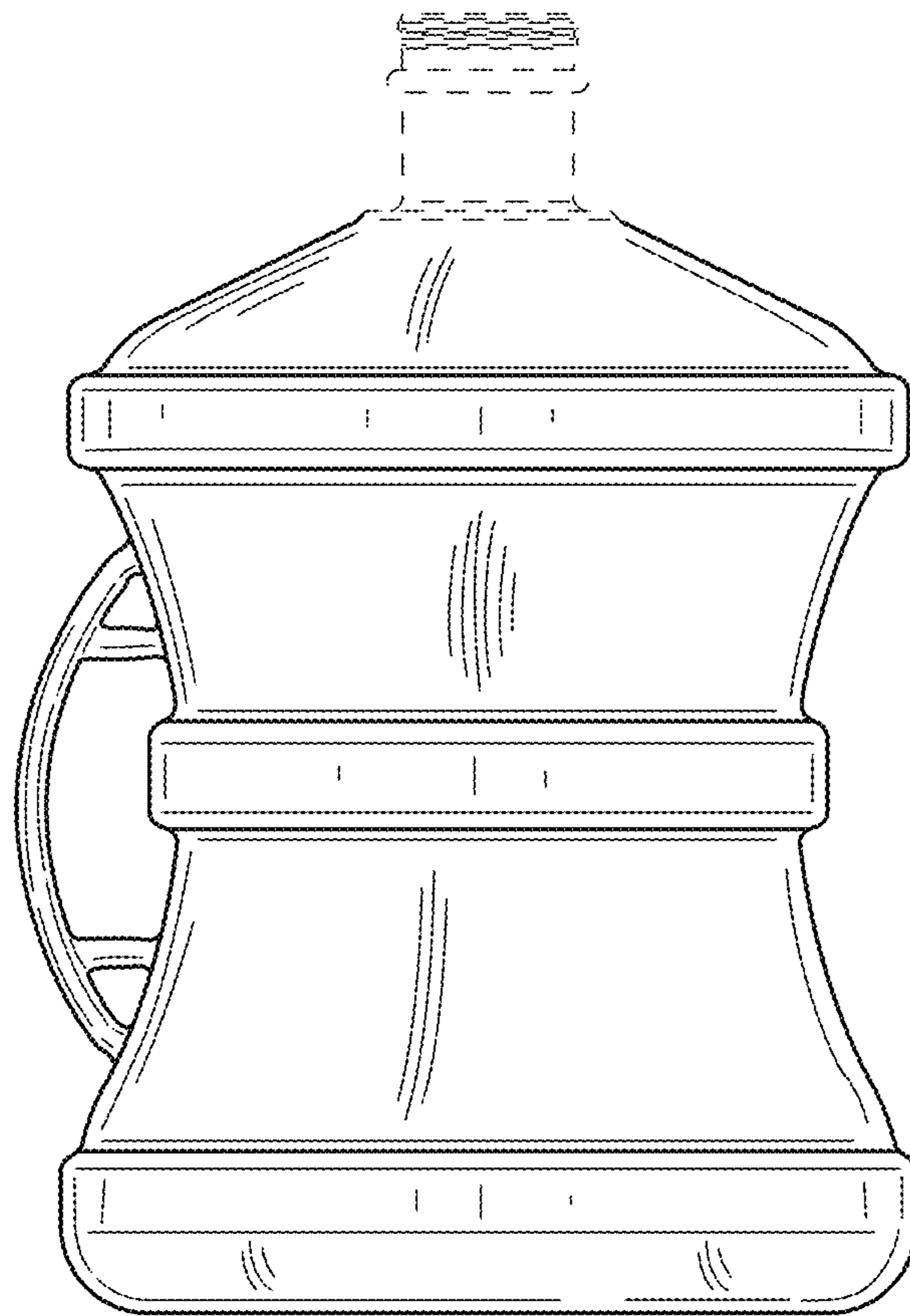


FIG.6

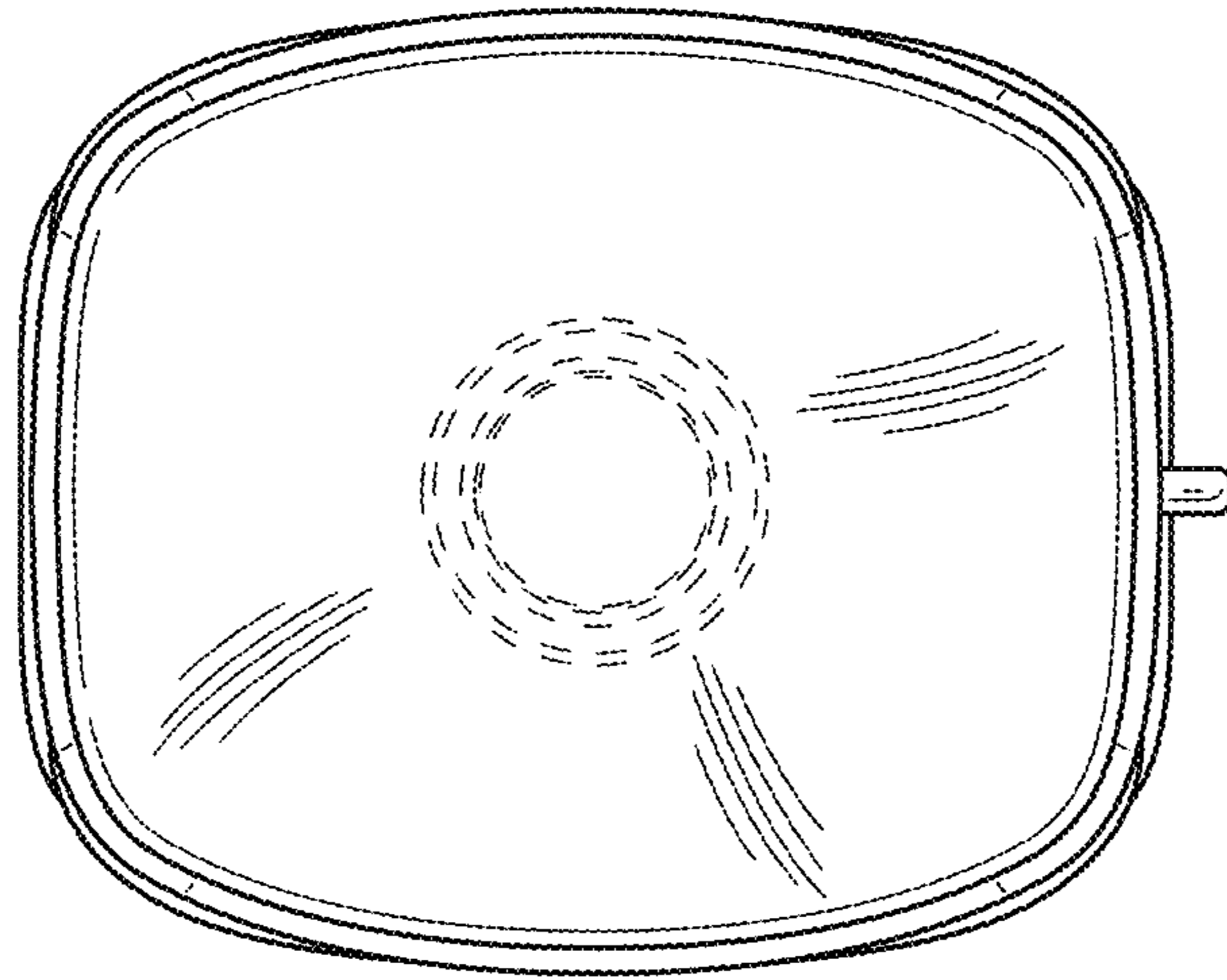


FIG.7