



US00D781106S

(12) **United States Design Patent**
Boroski et al.

(10) **Patent No.:** **US D781,106 S**
(45) **Date of Patent:** **** Mar. 14, 2017**

(54) **BOTTLE AND LID COMBINATION**

(71) Applicant: **THERMOS L.L.C.**, Schaumburg, IL
(US)

(72) Inventors: **Dwayne Boroski**, Lake in the Hills, IL
(US); **Marvin Lane**, Wheeling, IL (US)

(73) Assignee: **THERMOS L.L.C.**, Schaumburg, IL
(US)

(**) Term: **15 Years**

(21) Appl. No.: **29/556,554**

(22) Filed: **Mar. 1, 2016**

(51) **LOC (10) Cl.** **07-01**

(52) **U.S. Cl.**
USPC **D7/529**; D7/530; D7/532; D7/511;
D9/552

(58) **Field of Classification Search**
USPC D7/507-512, 529-532, 533, 536, 213,
D7/392.1, 396.1, 396.2, 396.4, 900, 608;
D9/503, 504, 555, 568, 554, 567, 904,
D9/453, 442, 443, 773, 434, 435, 440,
D9/444, 447, 449, 526, 552, 571;
D3/202; D24/197, 122; 220/592.16,
220/592.17, 592.27; 215/381-384
CPC B65D 23/00; B65D 47/066; B65D 41/04;
B65D 41/0414; B65D 47/08; A45F 3/16
See application file for complete search history.

(56) **References Cited**

U.S. PATENT DOCUMENTS

D49,139 S	6/1916	Curtiss	
D216,407 S	* 12/1969	Kull	D7/533
D262,192 S	* 12/1981	Wedge	D9/435
D262,932 S	* 2/1982	Daenen	D7/392.1
D283,596 S	* 4/1986	Fortuna	D7/510
D286,508 S	* 11/1986	Tilden	222/570
D289,858 S	5/1987	Duval	

D308,828 S	6/1990	Magnusson	
D318,980 S	* 8/1991	Unger	D7/535
D332,215 S	1/1993	Halvorson	
D346,801 S	5/1994	Traina	
D364,781 S	12/1995	Fenton et al.	
D427,913 S	7/2000	Davies	
D430,793 S	9/2000	Baron	
D468,588 S	* 1/2003	Norris	D7/510
D492,158 S	* 6/2004	Bodum	D7/510
D518,381 S	4/2006	Egawa	

(Continued)

OTHER PUBLICATIONS

U.S. Appl. No. 29/556,513, filed Mar. 1, 2016 (43 pages).
(Continued)

Primary Examiner — Marianne Pandozzi

Assistant Examiner — Jae Liang

(74) *Attorney, Agent, or Firm* — Polsinelli PC

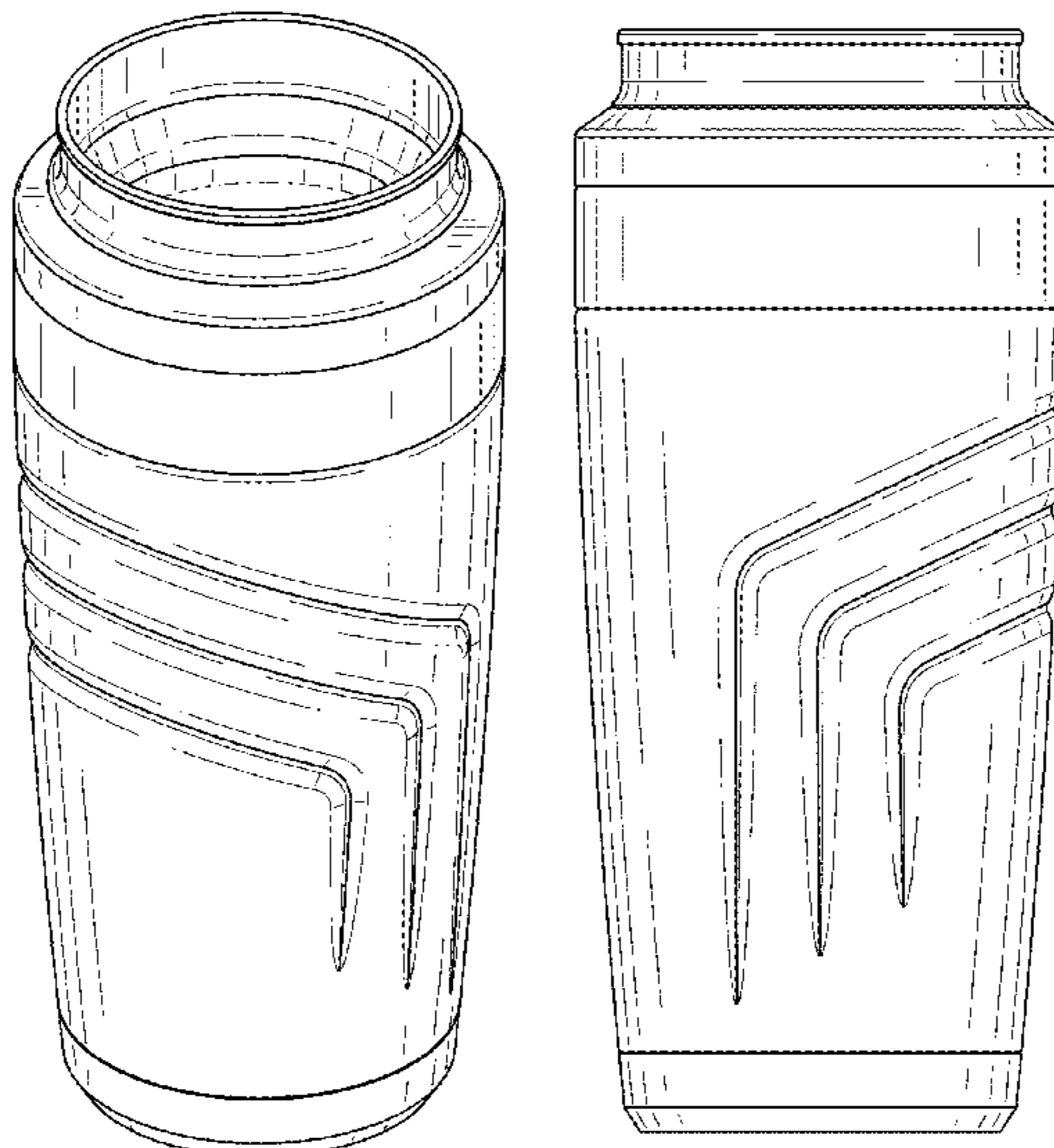
(57) **CLAIM**

The ornamental design for a bottle and lid combination, as shown and described.

DESCRIPTION

FIG. 1 is a perspective view of a bottle and lid combination showing our new design;
FIG. 2 is a front view thereof;
FIG. 3 is a rear view thereof;
FIG. 4 is a left side view thereof;
FIG. 5 is a right side view thereof;
FIG. 6 is a top view thereof; and,
FIG. 7 is a bottom view thereof.
The broken lines in the drawing depict portions of the bottle and lid combination that form no part of the claimed design. The dash-dot lines showing in the figures are included for defining the bounds of the claimed design that form no part thereof.

1 Claim, 4 Drawing Sheets



(56)

References Cited

U.S. PATENT DOCUMENTS

D531,451 S * 11/2006 Bin D7/510
 D534,396 S * 1/2007 Kramer D7/523
 D538,110 S 3/2007 Kitamura et al.
 D544,302 S 6/2007 Gibbons
 D549,048 S 8/2007 Duke et al.
 D555,430 S * 11/2007 Tien D7/509
 D562,137 S 2/2008 Florio
 D567,589 S 4/2008 Freeman
 D584,613 S 1/2009 Yan
 D587,069 S 2/2009 Bodum
 D590,661 S 4/2009 Kitamura et al.
 D602,782 S * 10/2009 Lepoitevin D9/453
 D604,561 S 11/2009 Chisholm
 D609,053 S * 2/2010 Dingenouts D7/509
 D617,144 S * 6/2010 O'Connor D7/396.2
 D619,418 S 7/2010 Nezu et al.
 D622,545 S * 8/2010 Wahl D7/510
 D622,553 S * 8/2010 Bollenbacher D7/608
 D630,044 S 1/2011 Lane et al.
 D630,473 S 1/2011 Poppie
 D637,455 S 5/2011 Lipson
 D639,113 S * 6/2011 Hayes D7/509
 D642,472 S * 8/2011 Concini D7/511
 D642,473 S * 8/2011 Vanhooland D9/516
 8,016,148 B2 9/2011 Walsh
 D649,881 S * 12/2011 Rinderer D7/511
 D655,134 S 3/2012 Gilbert
 D655,569 S 3/2012 Lipson
 D655,581 S 3/2012 Kotani
 D658,445 S 5/2012 Carreno
 D660,081 S 5/2012 Gilbert
 D660,082 S 5/2012 Wahl
 D660,705 S 5/2012 Simmons et al.
 D672,648 S 12/2012 Goto et al.
 D675,865 S 2/2013 Wahl

D680,369 S 4/2013 Starks
 D686,872 S 7/2013 Lane
 8,474,648 B1 * 7/2013 Ritzen A47J 41/02
 220/212
 D688,949 S 9/2013 Johnson et al.
 D690,557 S 10/2013 Carreno et al.
 D695,069 S 12/2013 Lane
 D699,516 S 2/2014 Kim et al.
 D700,802 S 3/2014 Miller
 D702,505 S 4/2014 Nakatani
 D707,492 S 6/2014 George et al.
 D710,653 S 8/2014 Goto et al.
 D718,626 S 12/2014 Lane
 D718,980 S 12/2014 Lapsker
 D722,249 S 2/2015 Valderrama et al.
 D725,966 S 4/2015 Boroski et al.
 D725,968 S 4/2015 George
 D727,685 S 4/2015 He
 D734,154 S 7/2015 Johnson et al.
 D735,580 S * 8/2015 Bourne D9/538
 D740,073 S 10/2015 Zorovich et al.
 D744,290 S 12/2015 Endo
 D752,446 S * 3/2016 Jasso Gomez D9/543
 2003/0080135 A1 5/2003 Bezek
 2008/0101850 A1 5/2008 Wojcik et al.
 2009/0290928 A1 11/2009 Samuelson et al.
 2010/0219153 A1 * 9/2010 Mooney B65D 1/0223
 215/381
 2016/0000245 A1 1/2016 Sims
 2016/0115008 A1 4/2016 Bohlen

OTHER PUBLICATIONS

U.S. Appl. No. 29/523,348, filed Apr. 8, 2015 (16 pages).
 U.S. Appl. No. 29/523,349, filed Apr. 8, 2015 (16 pages).
 U.S. Appl. No. 29/523,228, filed Apr. 7, 2015 (16 pages).
 U.S. Appl. No. 29/523,341, filed Apr. 8, 2015 (16 pages).

* cited by examiner

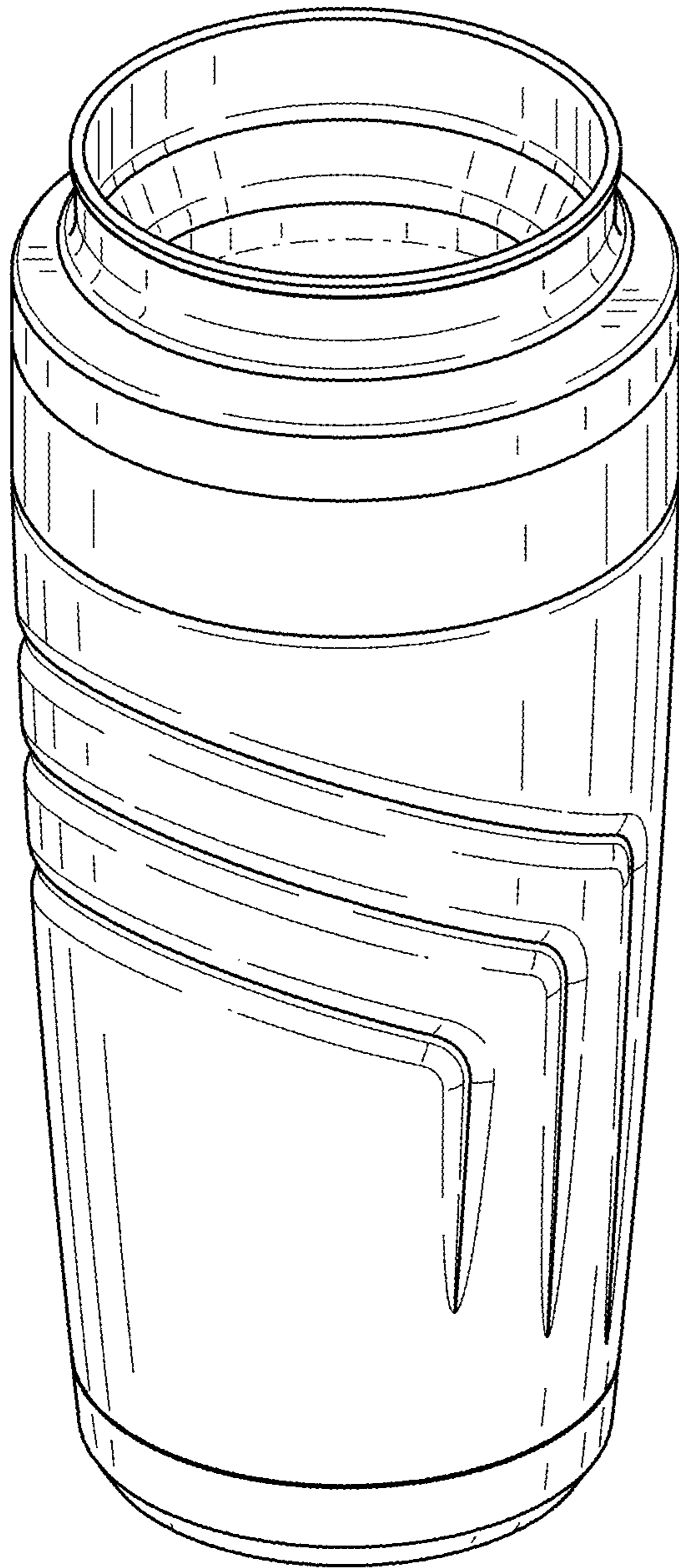


FIG. 1

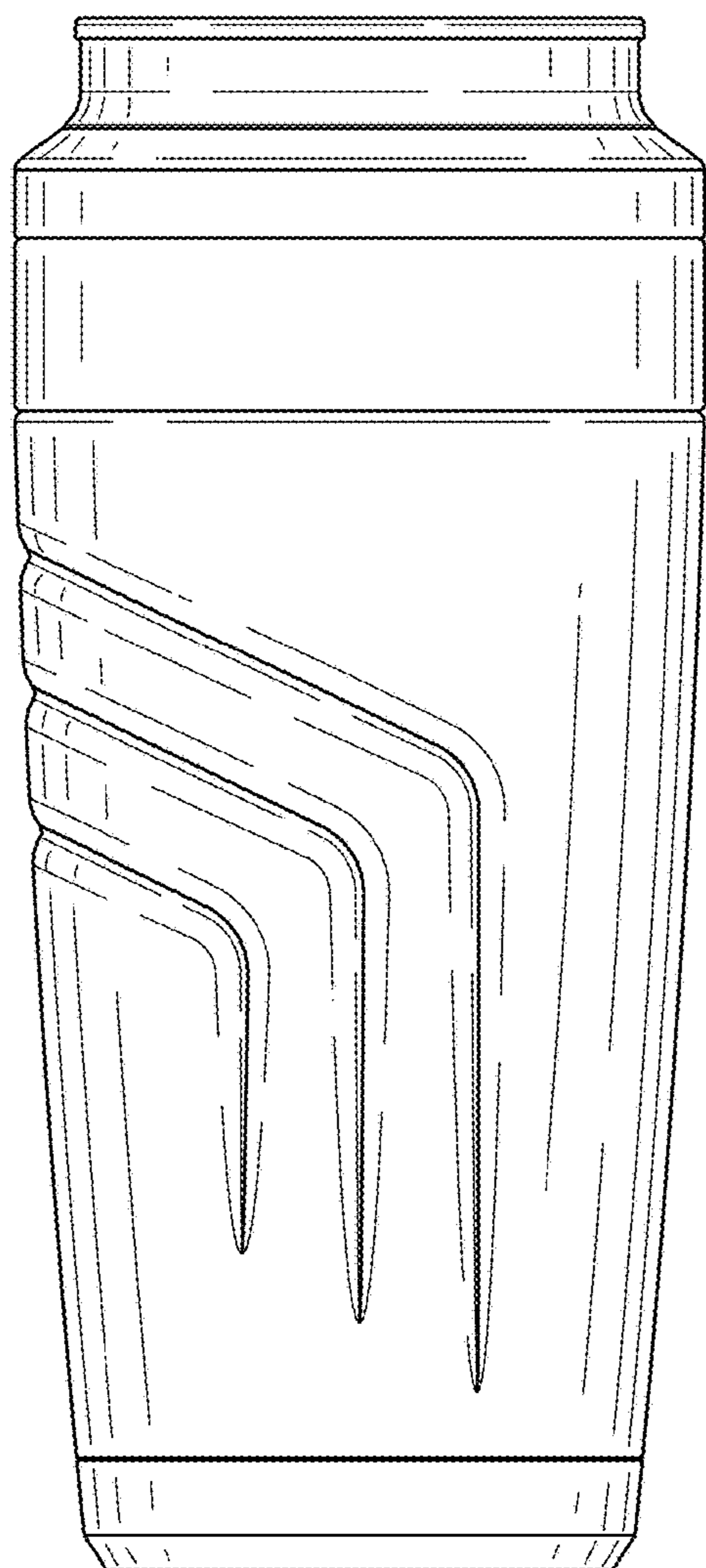


FIG. 2

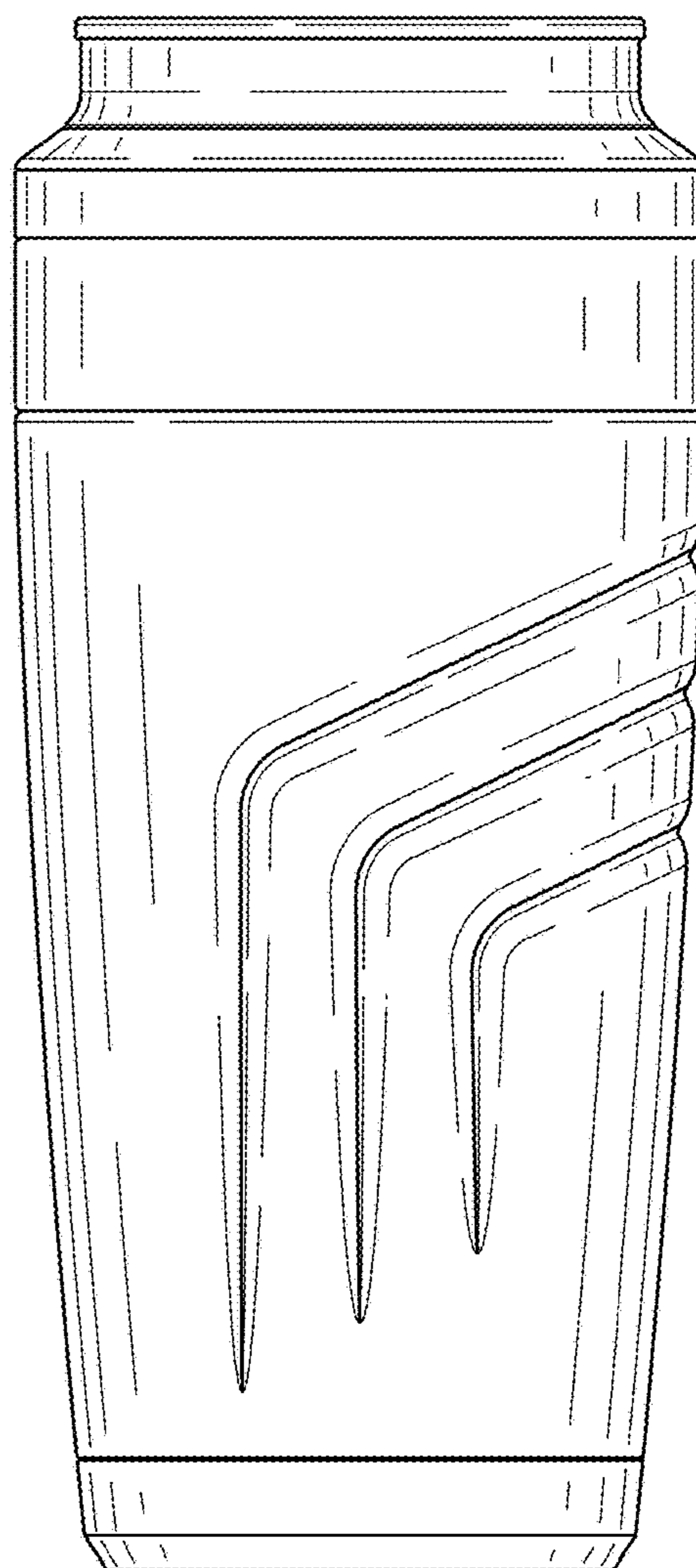


FIG. 3

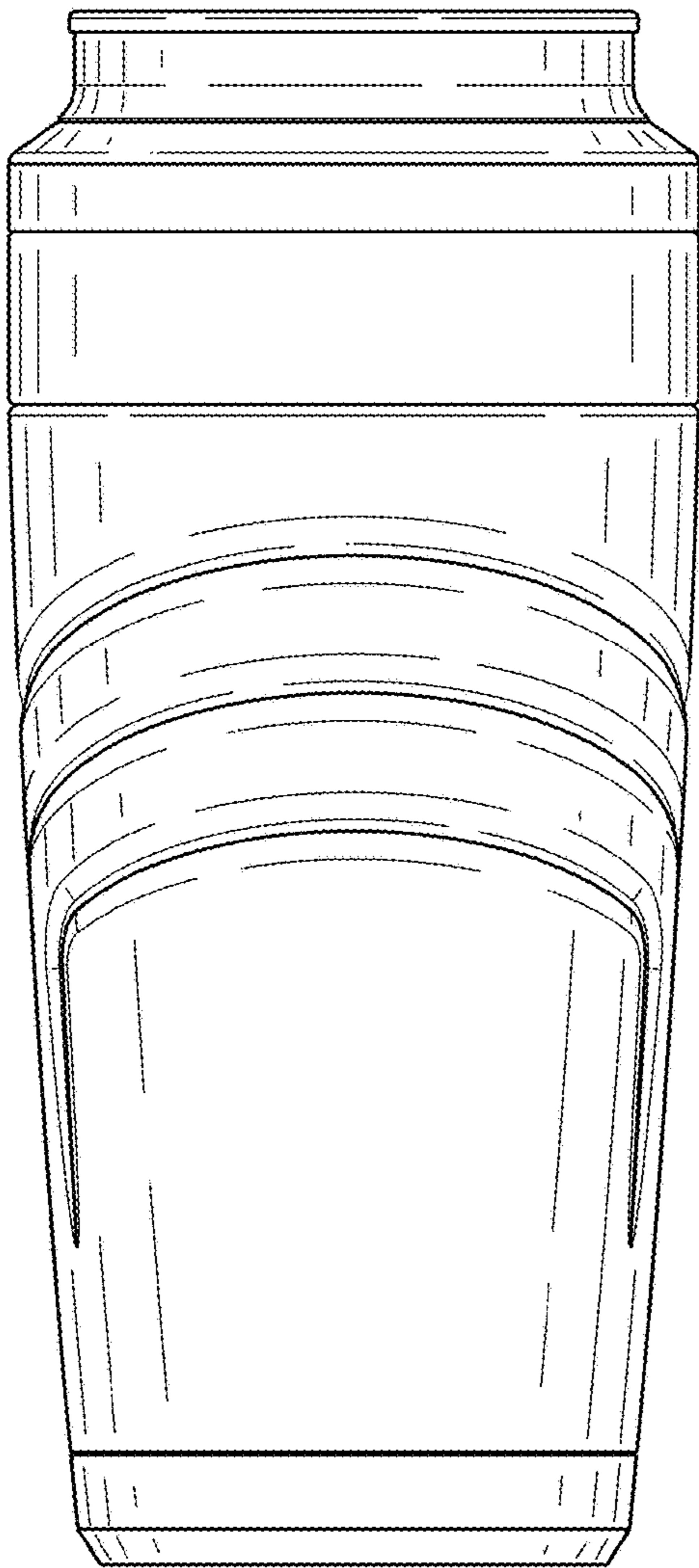


FIG. 4

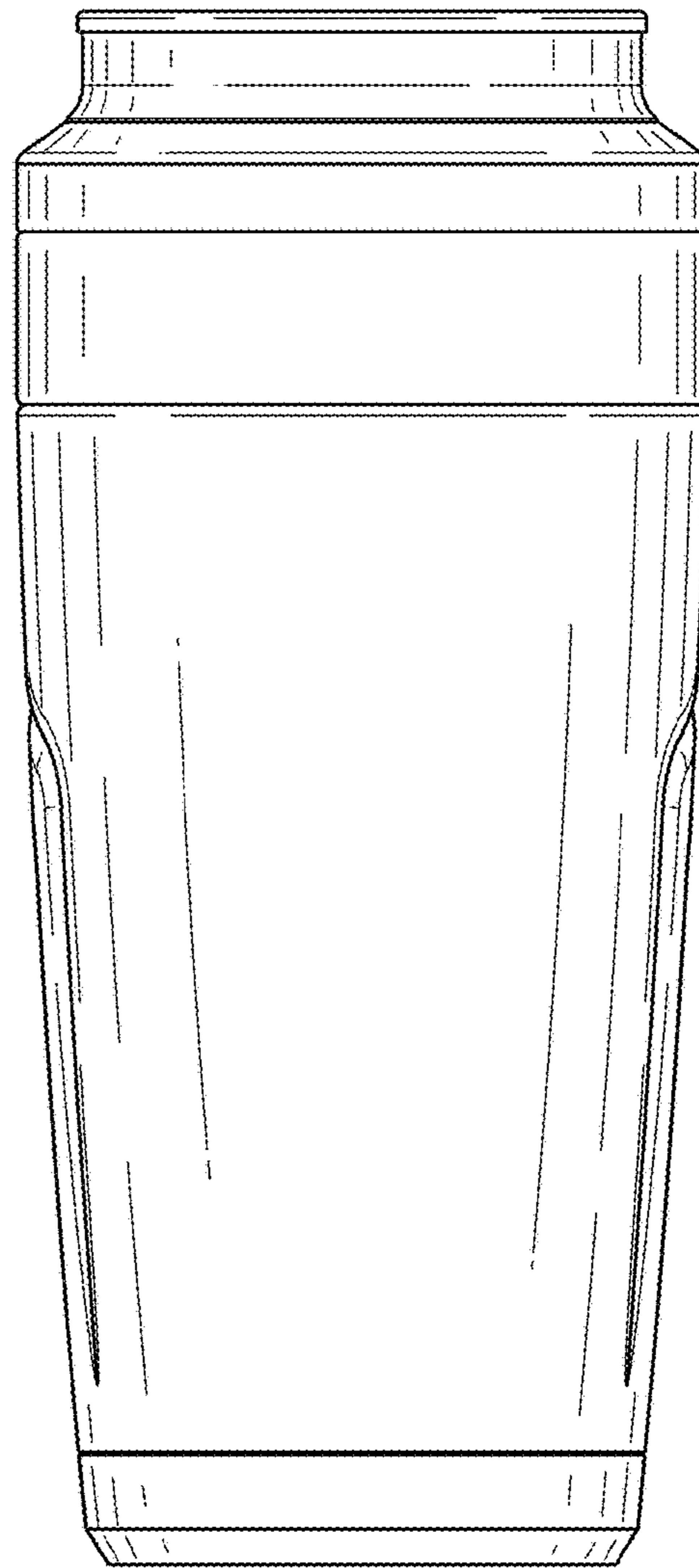


FIG. 5

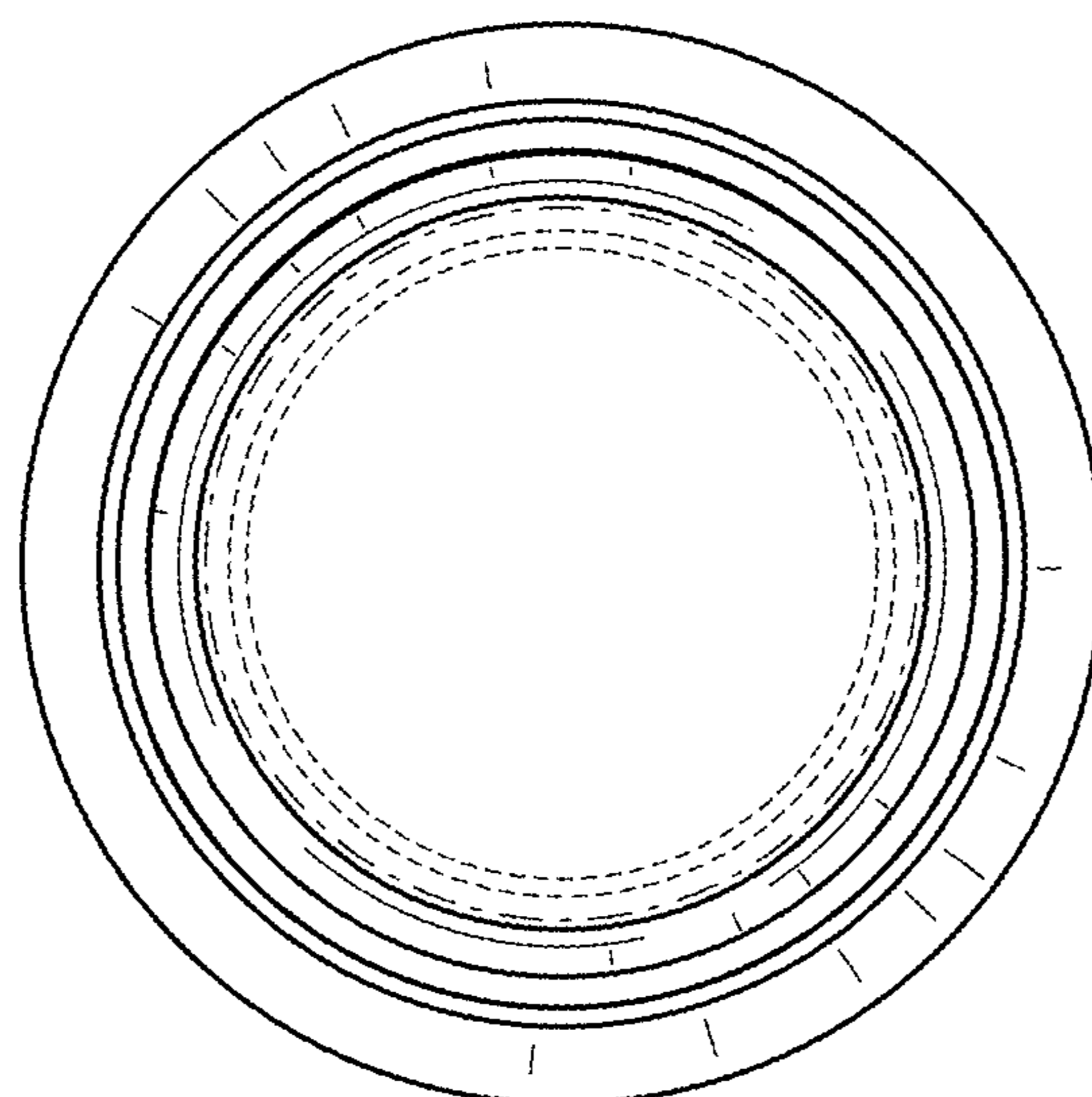


FIG. 6

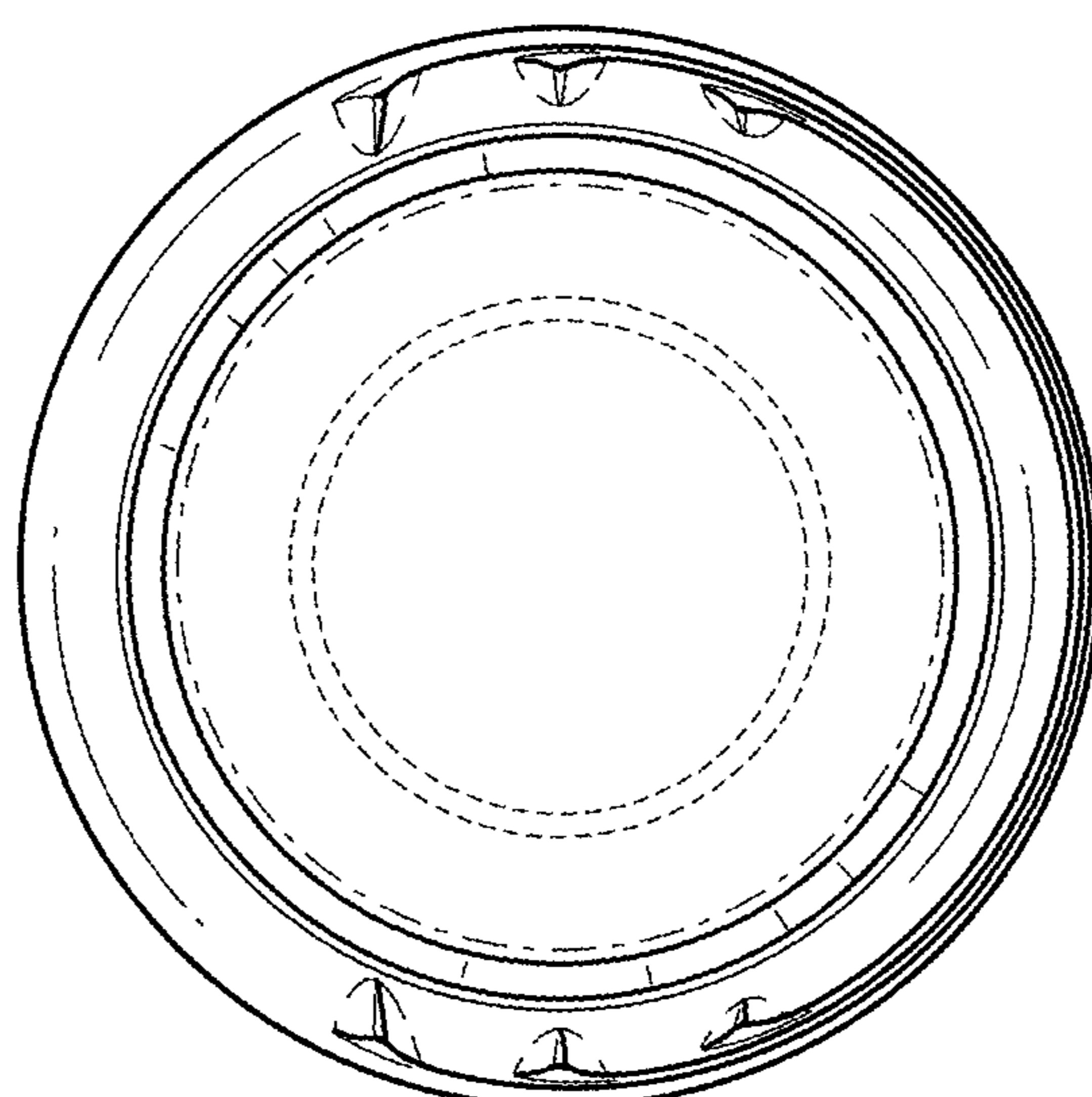


FIG. 7