



US00D781104S

(12) **United States Design Patent**
Cerasani

(10) **Patent No.:** **US D781,104 S**
(45) **Date of Patent:** **** Mar. 14, 2017**

(54) **SHAKER CUP**
(71) Applicant: **Platinum Products, LLC**, Missoula, MT (US)
(72) Inventor: **Anthony Cerasani**, Missoula, MT (US)
(73) Assignee: **Platinum Products, LLC**, Missoula, MT (US)

4,938,375 A 7/1990 Fantacone
5,542,922 A 8/1996 Petterson et al.
5,547,275 A 8/1996 Lillelund et al.
D374,150 S 10/1996 Lillelund et al.
5,720,552 A 2/1998 Schindlegger
D391,802 S 3/1998 Wong
5,788,369 A 8/1998 Tseng

(Continued)

(**) Term: **15 Years**
(21) Appl. No.: **29/544,012**

FOREIGN PATENT DOCUMENTS
CA 2 742 236 A1 5/2010
KR 20-0432667 Y1 12/2006
KR 10-0840962 B1 6/2008

(22) Filed: **Oct. 29, 2015**
(51) **LOC (10) Cl.** **07-01**
(52) **U.S. Cl.**
USPC **D7/510; D7/511; D7/536; D7/300.1**
(58) **Field of Classification Search**
USPC D7/509, 510, 511, 523, 529, 532, 533, D7/535, 536, 300, 300.1, 608, 629, 387, D7/304-315, 534, 396.1, 524, 537, 572, D7/392.1, 391; D9/503, 504, 531, 530, D9/566, 544, 549, 550, 553, 554, 516, D9/537, 454, 434, 560; 215/228, 229; 220/592.2, 592.16, 592.17; D23/202, D23/207; 99/281, 305, 307; 222/146.6; 141/247; D24/122; D3/202
CPC A47G 19/22; A47G 19/2227; A47G 19/02; A47G 19/025; A47G 19/2288; Y10S 220/903
See application file for complete search history.

OTHER PUBLICATIONS

Cerasani, "Shaker Cup," U.S. Appl. No. 29/549,684, filed Dec. 28, 2015, 7 pages.

Primary Examiner — Marianne Pandozzi
Assistant Examiner — Jae Liang
(74) *Attorney, Agent, or Firm* — Speed IP Law Group LLP

(57) **CLAIM**

The ornamental design for a shaker cup, as shown and described.

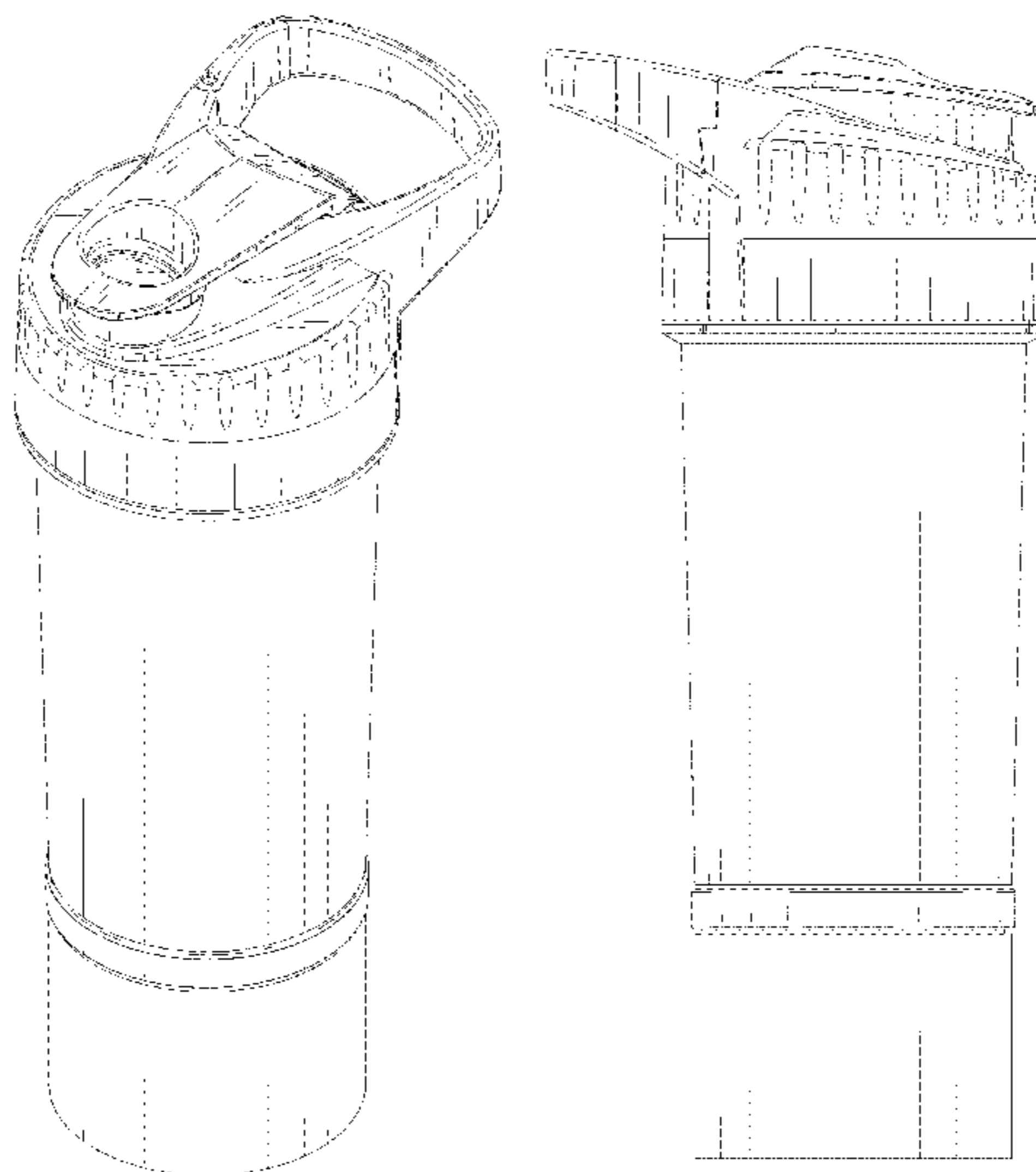
DESCRIPTION

FIG. 1 is an isometric view of a shaker cup showing my new design;
FIG. 2 is a front elevational view thereof;
FIG. 3 is a rear elevational view thereof;
FIG. 4 is a right side elevational view thereof;
FIG. 5 is a left side elevational view thereof;
FIG. 6 is a top plan view thereof; and,
FIG. 7 is a bottom view thereof.
The broken lines in the drawing depict portions of the shaker cup that form no part of the claimed design.

1 Claim, 6 Drawing Sheets

(56) **References Cited**
U.S. PATENT DOCUMENTS

58,882 A 10/1866 Pinder
1,201,284 A 10/1916 Gilchrist
1,661,336 A 3/1928 Katz
2,922,628 A 1/1960 Koe
4,003,555 A 1/1977 Swartz
4,818,114 A 4/1989 Ghavi



(56)

References Cited

U.S. PATENT DOCUMENTS

D426,742 S 6/2000 Gartz et al.
 D432,865 S 10/2000 Cohen
 6,202,542 B1 3/2001 Melton
 D449,762 S 10/2001 Jacober et al.
 6,913,165 B2 7/2005 Linz et al.
 D510,235 S 10/2005 Sorensen
 D510,678 S 10/2005 Krasne et al.
 D559,034 S 1/2008 Bodum
 D570,648 S 6/2008 Bodum
 D571,610 S 6/2008 Bodum
 D572,975 S 7/2008 Germany
 D586,184 S * 2/2009 Miller D7/511
 D592,913 S * 5/2009 Pinelli D7/510
 D623,473 S 9/2010 Chen
 D634,161 S 3/2011 Roth et al.
 D646,919 S * 10/2011 Nilsson A47J 43/27
 D7/300.1
 D656,360 S * 3/2012 Miller D7/396.2
 8,215,511 B1 * 7/2012 Lin B65D 39/08
 215/228
 D665,222 S 8/2012 Cerasani
 1,060,419 A1 4/2013 Benjamin

1,075,119 A1 10/2013 Reichner
 D719,780 S * 12/2014 Sullivan D7/392.1
 D730,694 S * 6/2015 Elsaden D7/511
 D739,174 S * 9/2015 Elsaden D7/392.1
 D739,674 S * 9/2015 Bergstrom D7/300.1
 D746,634 S * 1/2016 Lapsker D7/510
 D746,635 S * 1/2016 Lapsker D7/510
 D756,702 S * 5/2016 Joseph D7/392.1
 D763,688 S * 8/2016 Breit D9/443
 D766,029 S * 9/2016 Lin D7/300.1
 9,492,024 B2 * 11/2016 Sorensen A47G 19/2205
 2003/0029827 A1 2/2003 Renz
 2004/0047231 A1 3/2004 Coll
 2005/0174882 A1 8/2005 Krasne et al.
 2008/0156763 A1 7/2008 Murphy
 2009/0178940 A1 7/2009 Said
 2011/0253733 A1 * 10/2011 Meyers B65D 47/089
 220/833
 2013/0279287 A1 10/2013 Cerasani
 2014/0231378 A1 8/2014 Roos
 2014/0360908 A1 * 12/2014 Sorensen B65D 21/0228
 206/501
 2015/0173539 A1 * 6/2015 Mason A47G 19/2272
 220/707

* cited by examiner

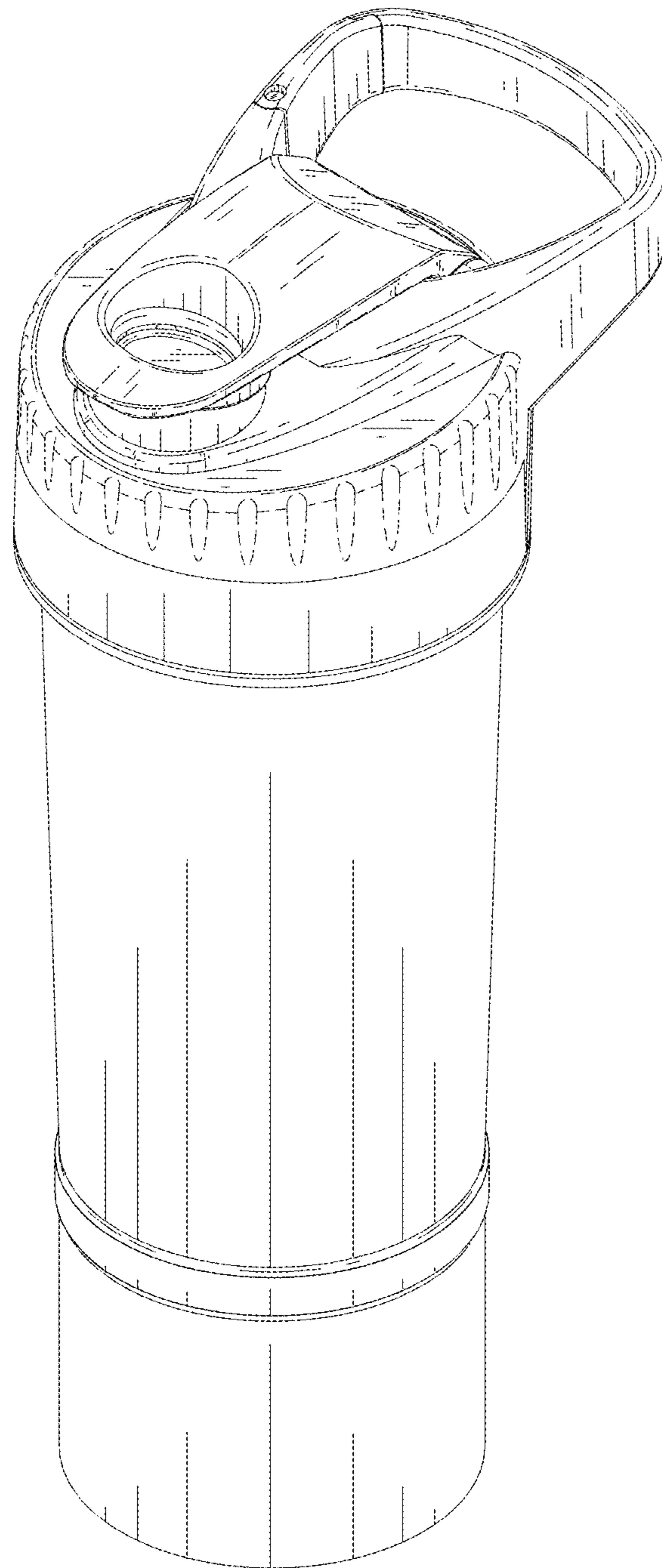


FIG. 1

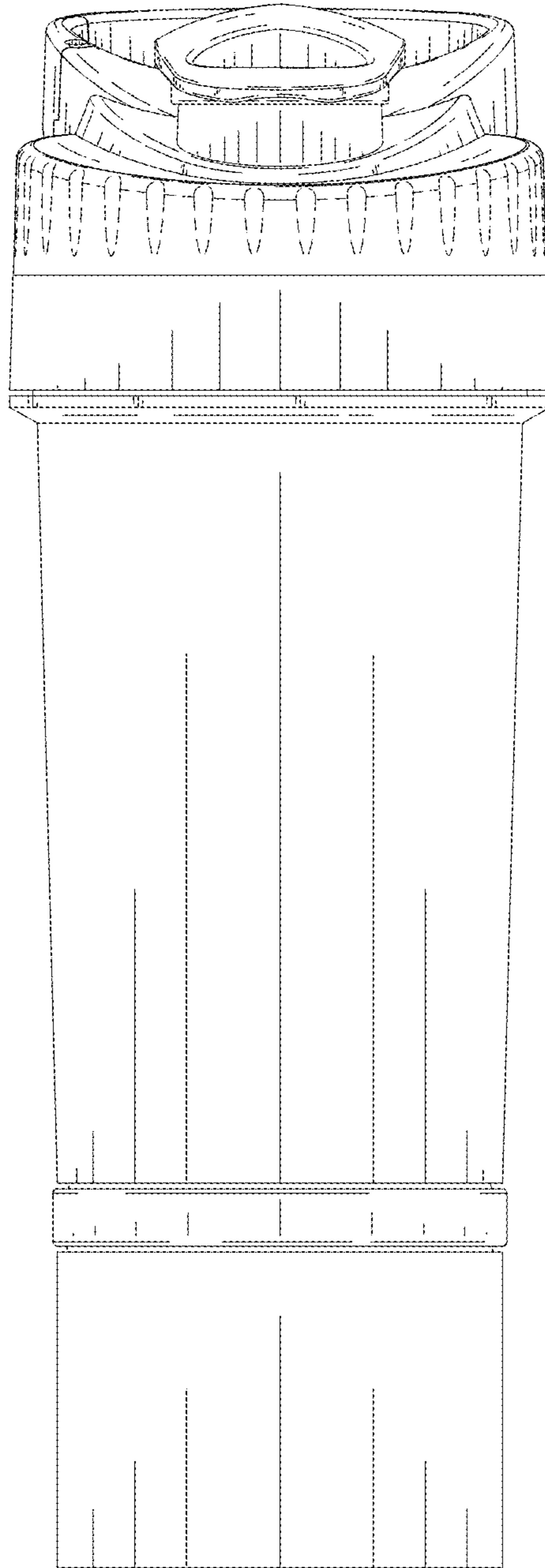


FIG. 2

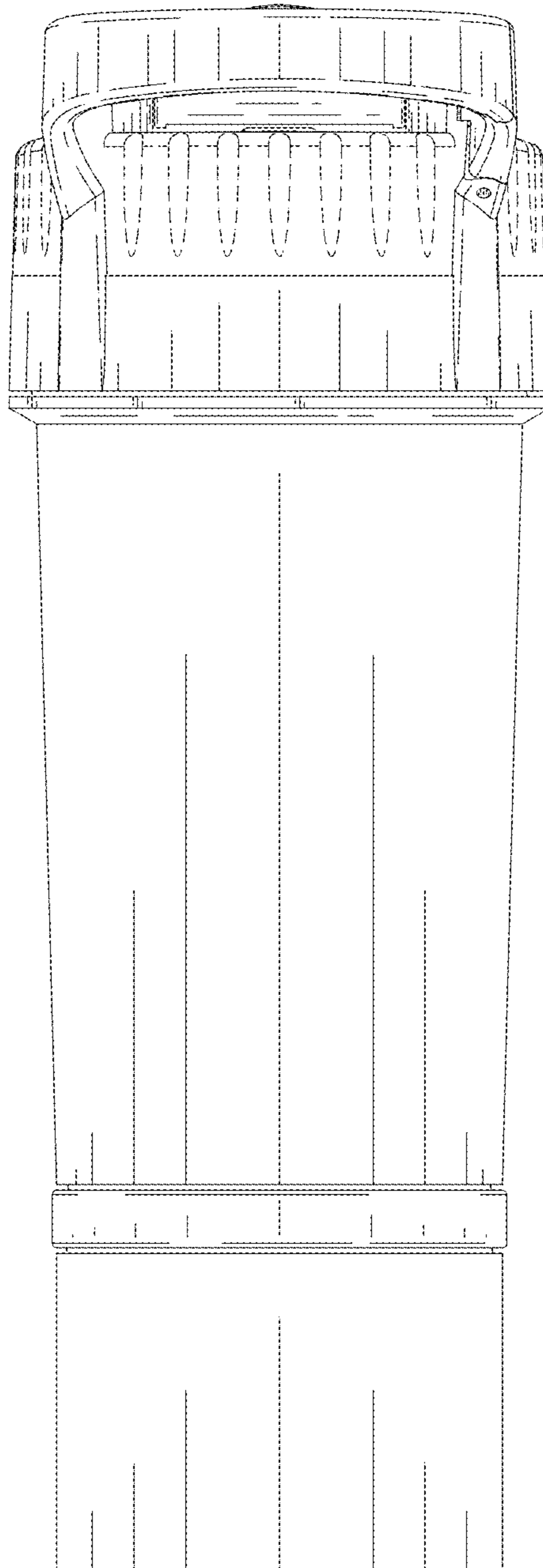


FIG. 3



FIG. 4

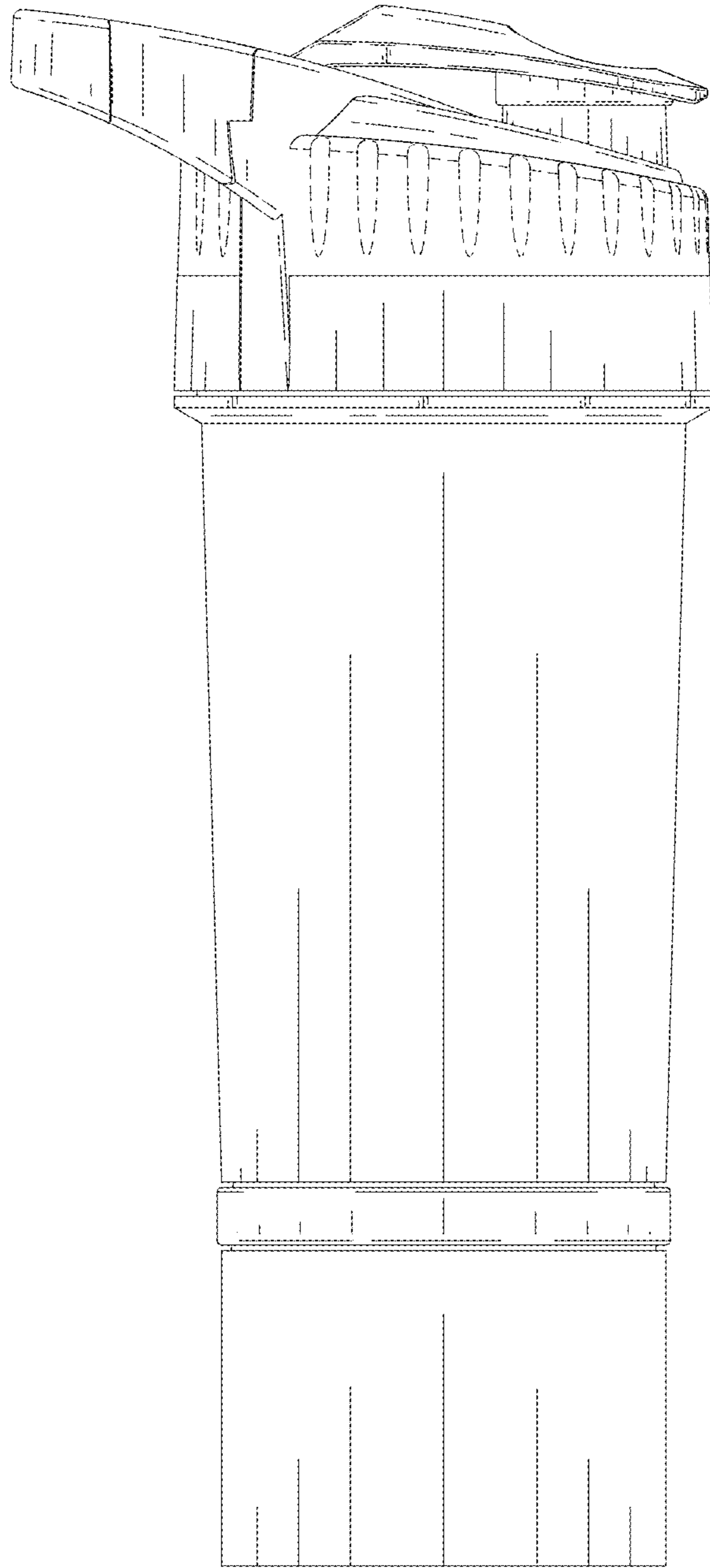


FIG. 5

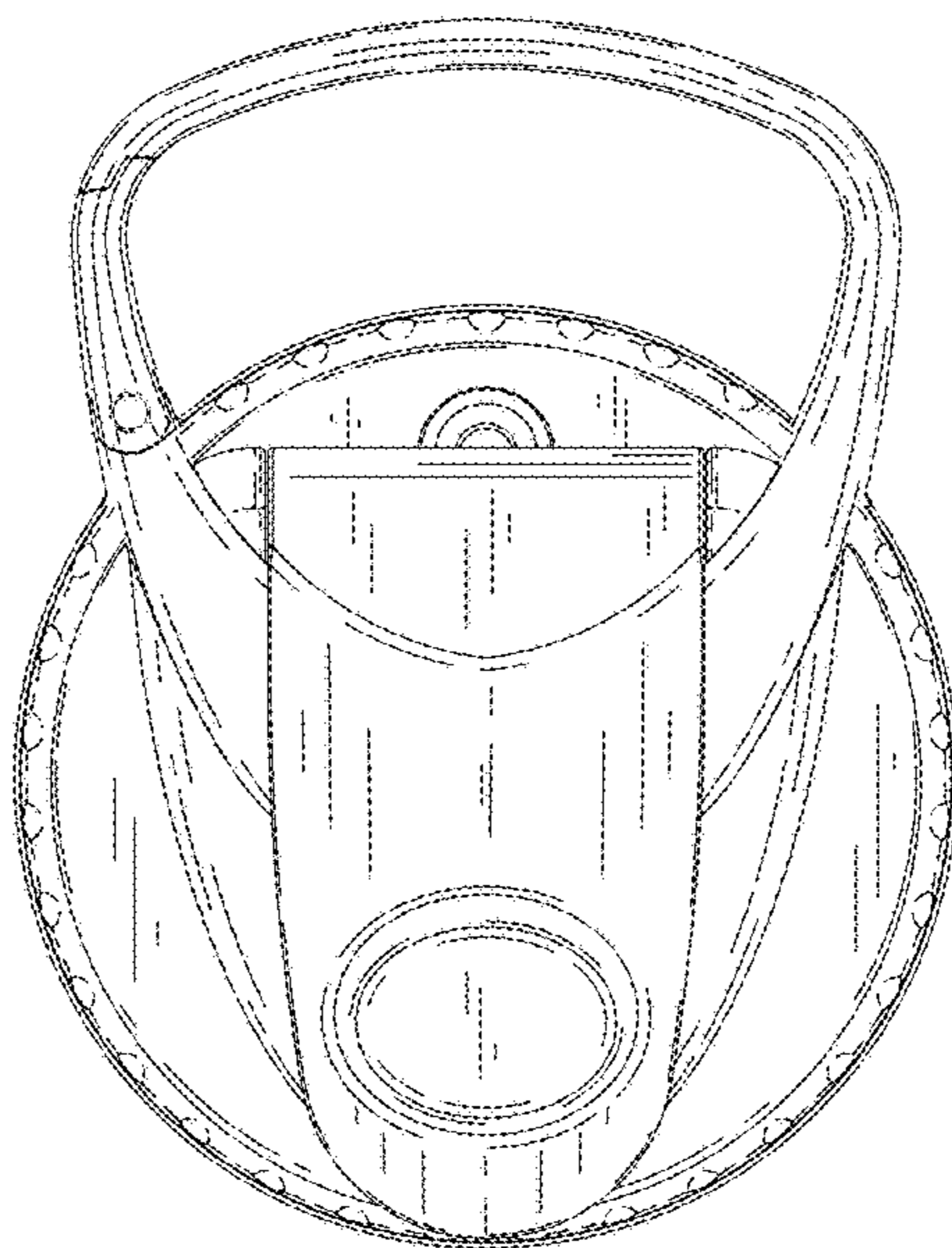


FIG. 6

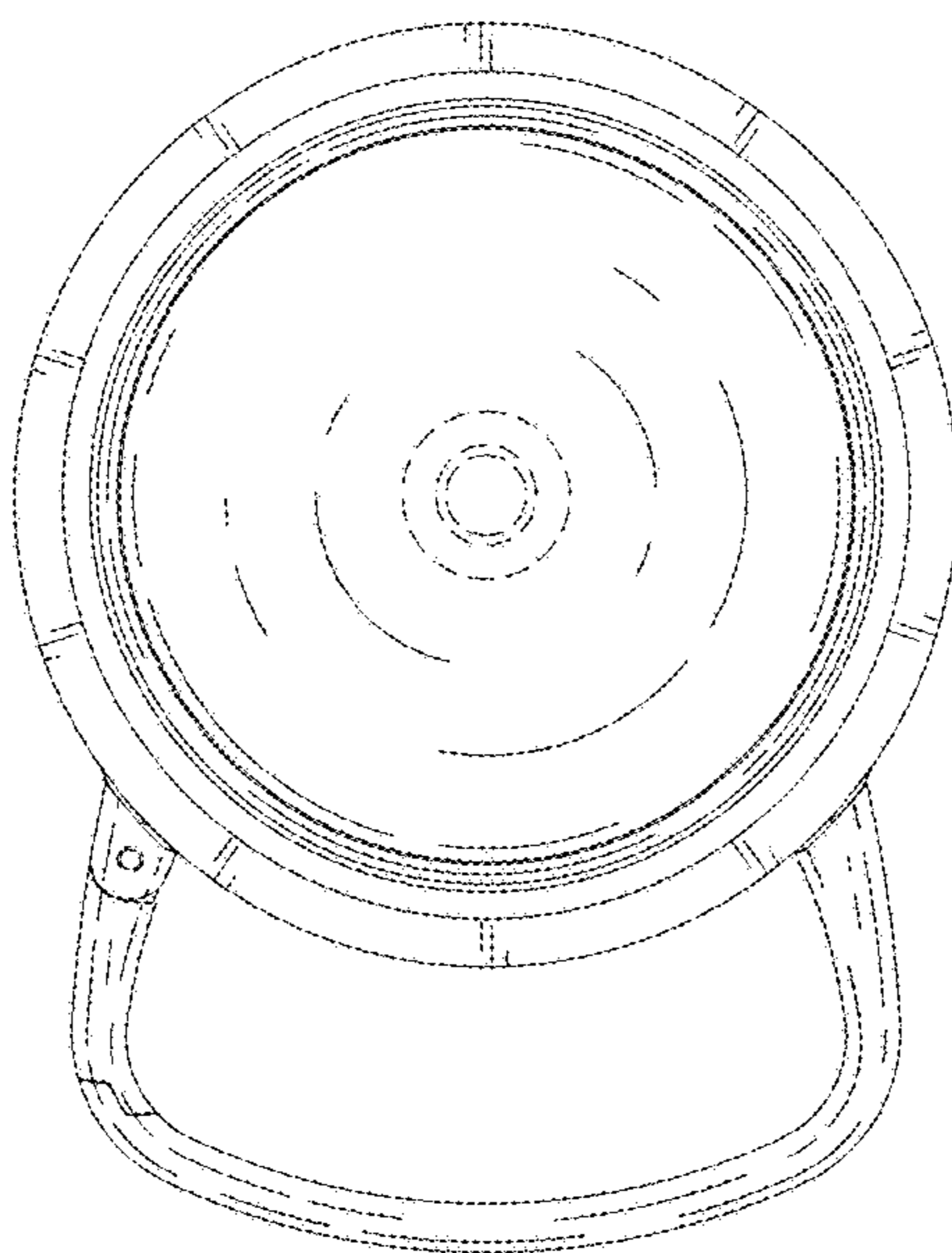


FIG. 7