



US00D781102S

(12) **United States Design Patent** (10) **Patent No.:** **US D781,102 S**
Baacke et al. (45) **Date of Patent:** **** Mar. 14, 2017**

(54) **OVEN**

(71) Applicant: **BSH Bosch und Siemens Hausgeräte GmbH**, Munich (DE)

(72) Inventors: **Sven Baacke**, München (DE);
Hermann-Reinhard Segers, München (DE)

(73) Assignee: **BSH Hausgeräte GmbH**, Munich (DE)

(**) Term: **15 Years**

(21) Appl. No.: **29/528,745**

(22) Filed: **Jun. 1, 2015**

Related U.S. Application Data

(62) Division of application No. 29/486,858, filed on Apr. 3, 2014, now Pat. No. Des. 736,033, which is a (Continued)

(30) **Foreign Application Priority Data**

Nov. 30, 2006 (EM) 000640388

(51) **LOC (10) Cl.** **07-02**

(52) **U.S. Cl.**
USPC **D7/405**

(58) **Field of Classification Search**
USPC D7/350.1–351, 402, 405; 126/19 M,
126/275 R, 275 E, 21 A; 219/756–758,
219/386–387

(Continued)

(56) **References Cited**

U.S. PATENT DOCUMENTS

D225,578 S * 12/1972 Miyake D7/351
D226,990 S * 5/1973 Wolfe et al. D7/351

(Continued)

Primary Examiner — Ruth McInroy

(74) *Attorney, Agent, or Firm* — Michael E. Tschupp;
Andre Pallapies

(57) **CLAIM**

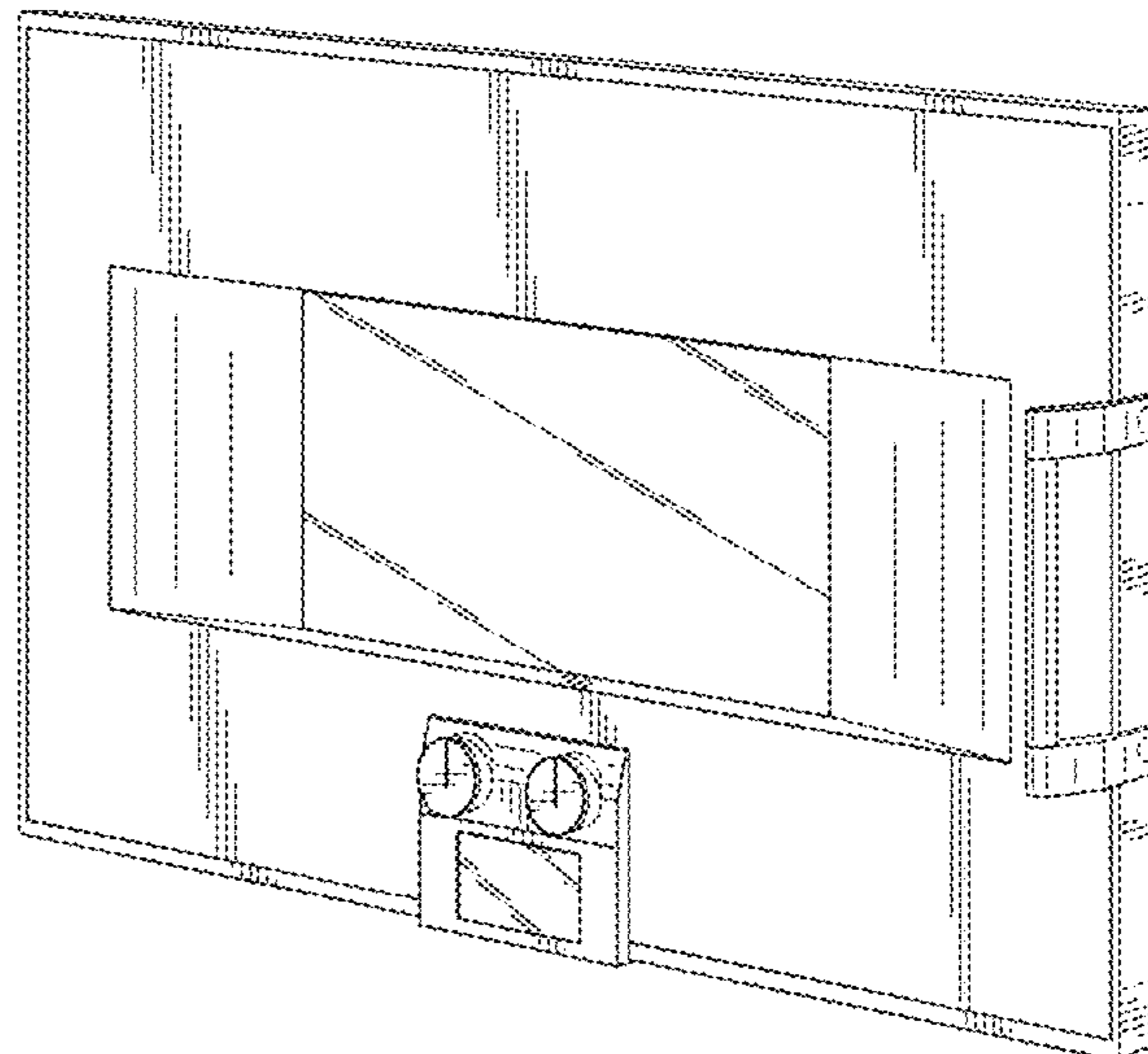
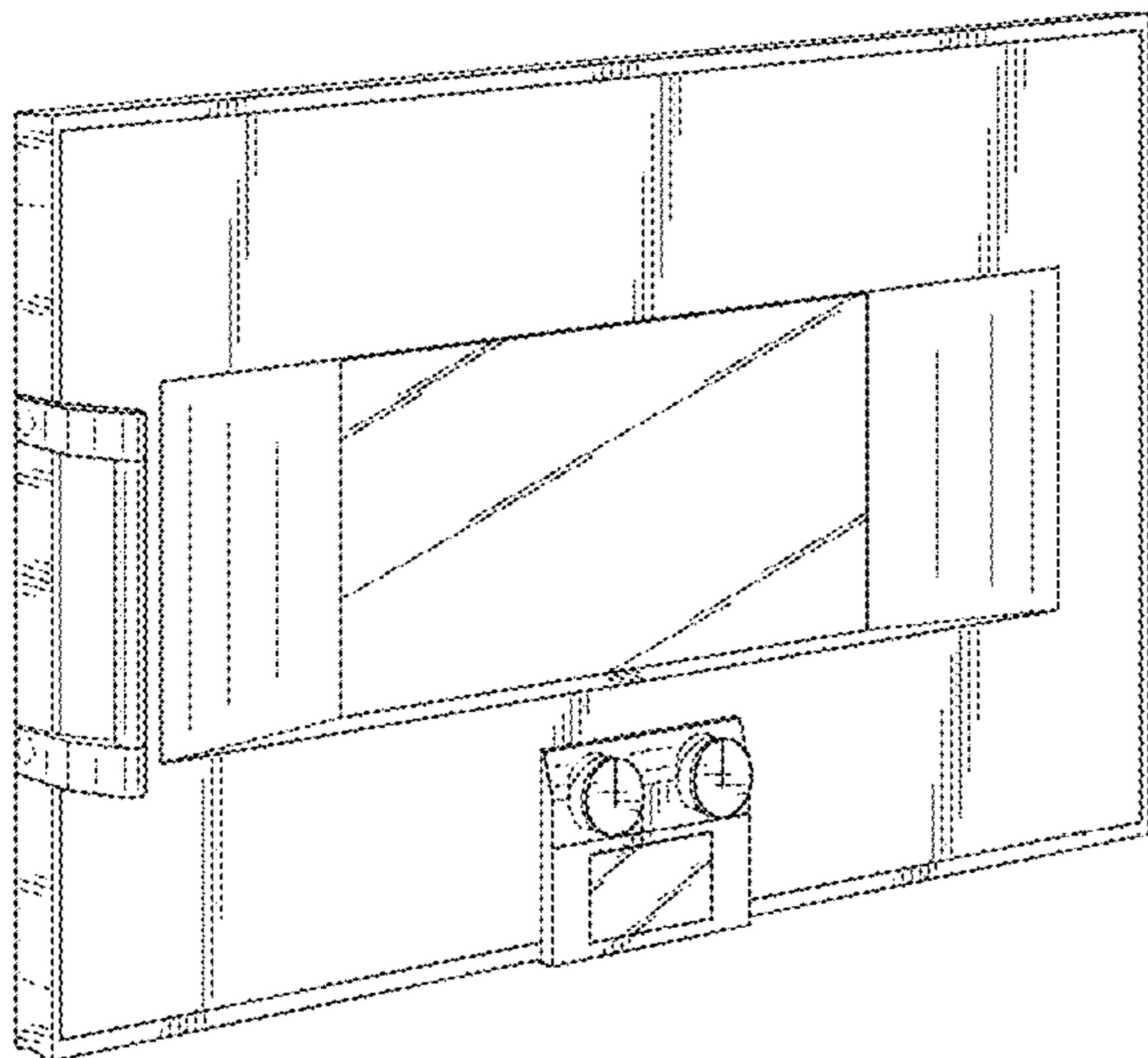
The ornamental design for an oven, as shown and described.

DESCRIPTION

FIG. 1 is a front view of a first embodiment of an oven showing our new ornamental design; FIG. 2 is a perspective view of the oven shown in FIG. 1; FIG. 3 is a right side view of the oven shown in FIG. 1; FIG. 4 is a rear view of the oven shown in FIG. 1; FIG. 5 is a left view of the oven shown in FIG. 1; FIG. 6 is a bottom view of the oven shown in FIG. 1; FIG. 7 is a top view of the oven shown in FIG. 1; FIG. 8 is a front view of a second embodiment of an oven showing our new ornamental design; FIG. 9 is a perspective view of the oven shown in FIG. 8; FIG. 10 is a right side view of the oven shown in FIG. 8; FIG. 11 is a rear view of the oven shown in FIG. 8; FIG. 12 is a left view of the oven shown in FIG. 8; FIG. 13 is a bottom view of the oven shown in FIG. 8; and, FIG. 14 is a top view of the oven shown in FIG. 8.

The broken lines showing environment or structure of the oven are for illustrative purposes only and form no part of the claimed design.

1 Claim, 6 Drawing Sheets



Related U.S. Application Data

division of application No. 29/460,163, filed on Jul. 9, 2013, now Pat. No. Des. 708,012, which is a division of application No. 29/386,980, filed on Mar. 8, 2011, now Pat. No. Des. 690,157, which is a division of application No. 29/344,133, filed on Sep. 24, 2009, now Pat. No. Des. 648,173, which is a division of application No. 29/285,902, filed on Apr. 16, 2007, now Pat. No. Des. 608,586.

(58) **Field of Classification Search**

CPC A21B 1/52; F24B 1/003; F24C 15/322;
A47J 37/0611

See application file for complete search history.

(56) **References Cited**

U.S. PATENT DOCUMENTS

D234,667	S	*	4/1975	Linder	D7/351
D235,126	S	*	5/1975	Binzer et al.	D7/351
D242,420	S	*	11/1976	Ura et al.	D7/351
D297,800	S	*	9/1988	Feil et al.	D7/351
D370,824	S	*	6/1996	Kim	D7/351
D413,758	S	*	9/1999	Hessen et al.	D7/351
D532,645	S	*	11/2006	Lee	D7/351

* cited by examiner

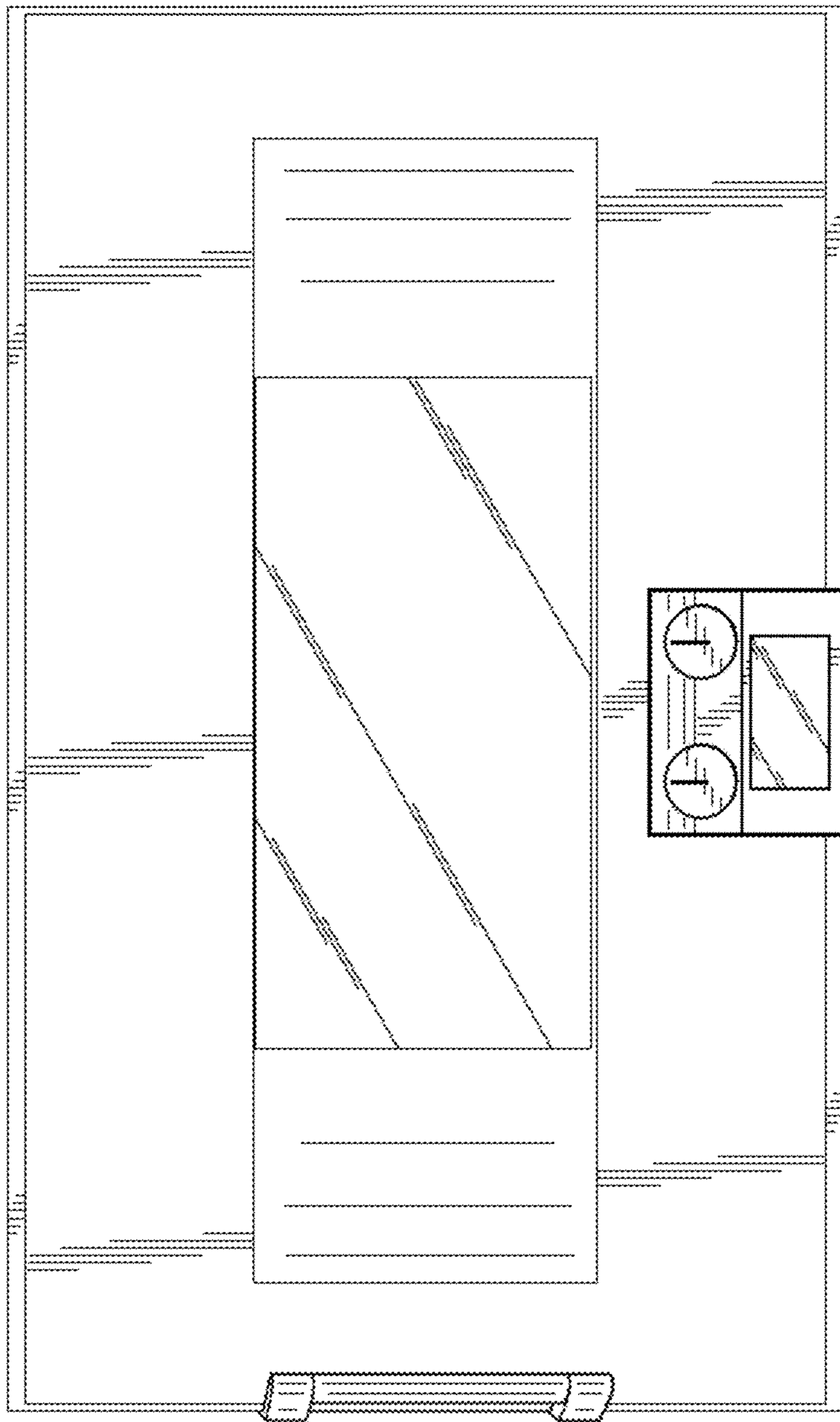


FIG. 1

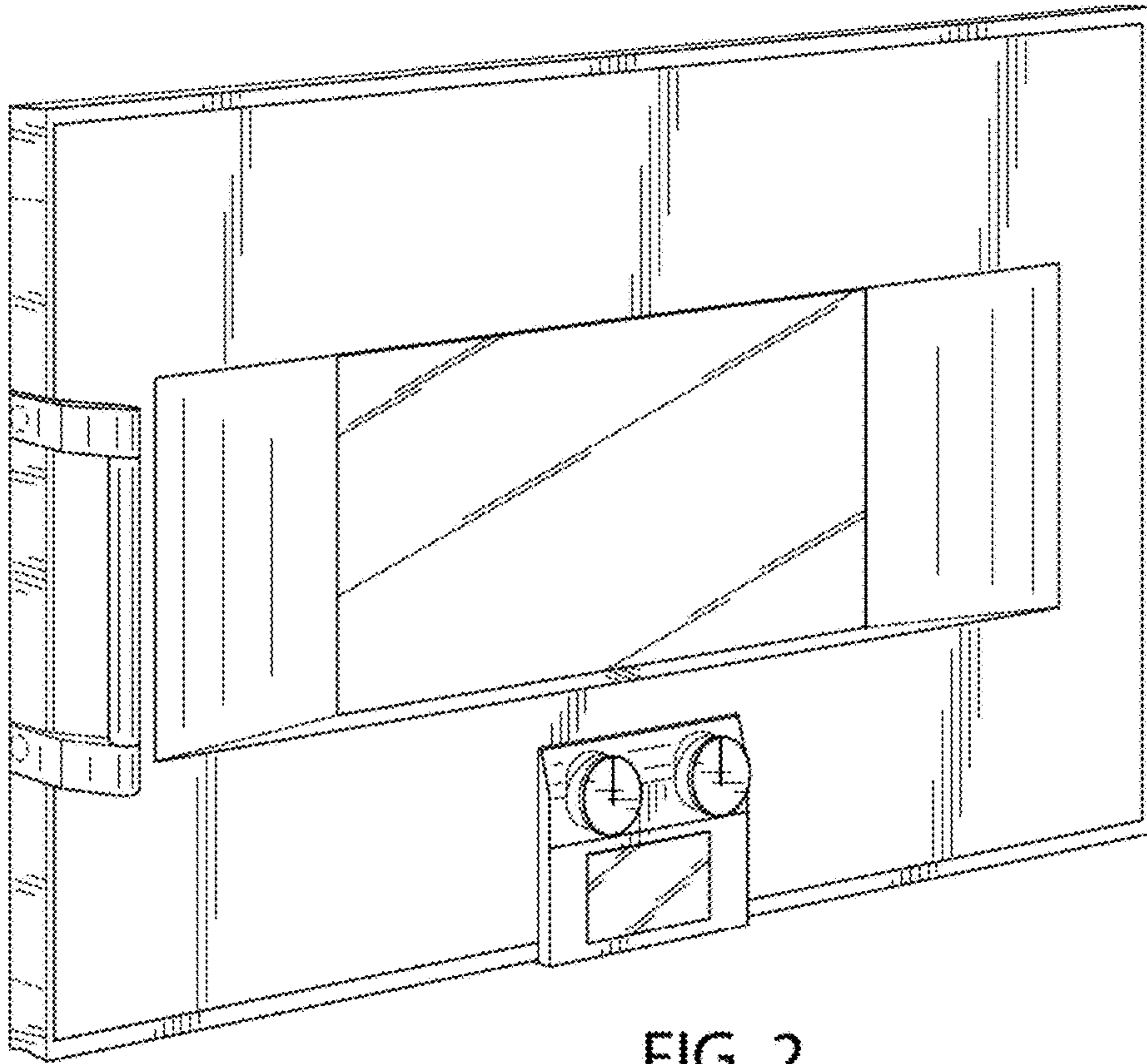


FIG. 2

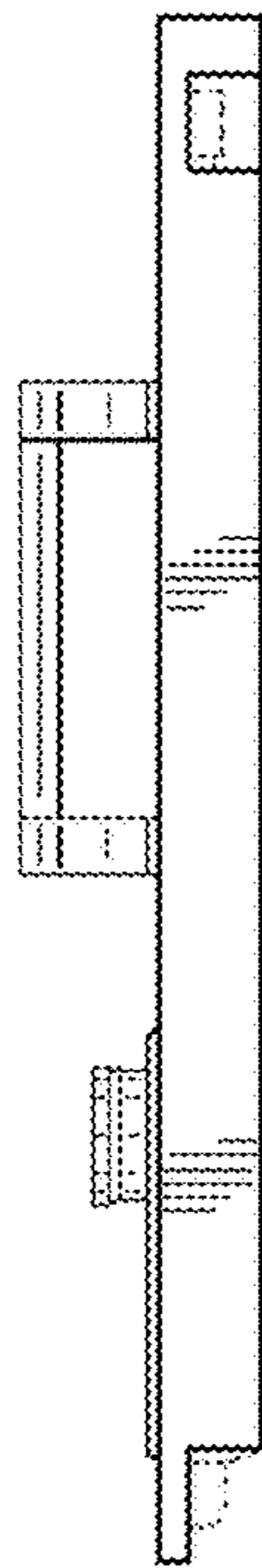


FIG. 3

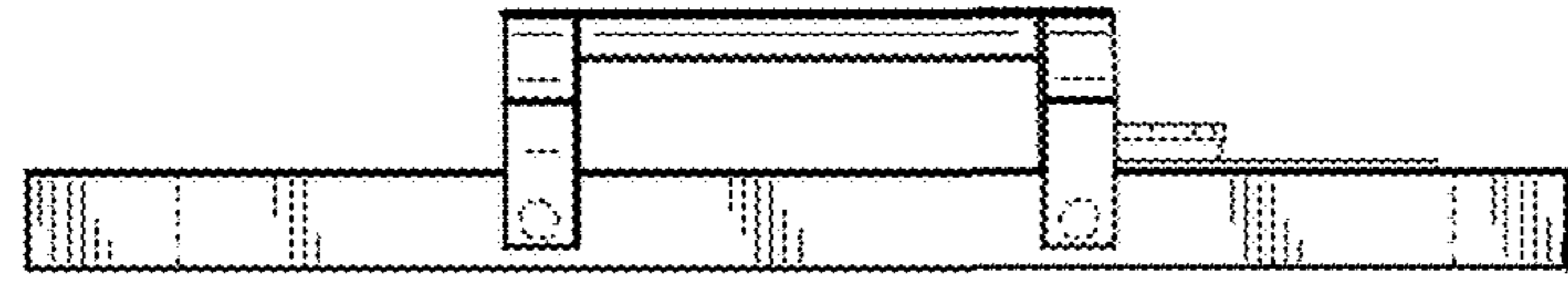


FIG. 5

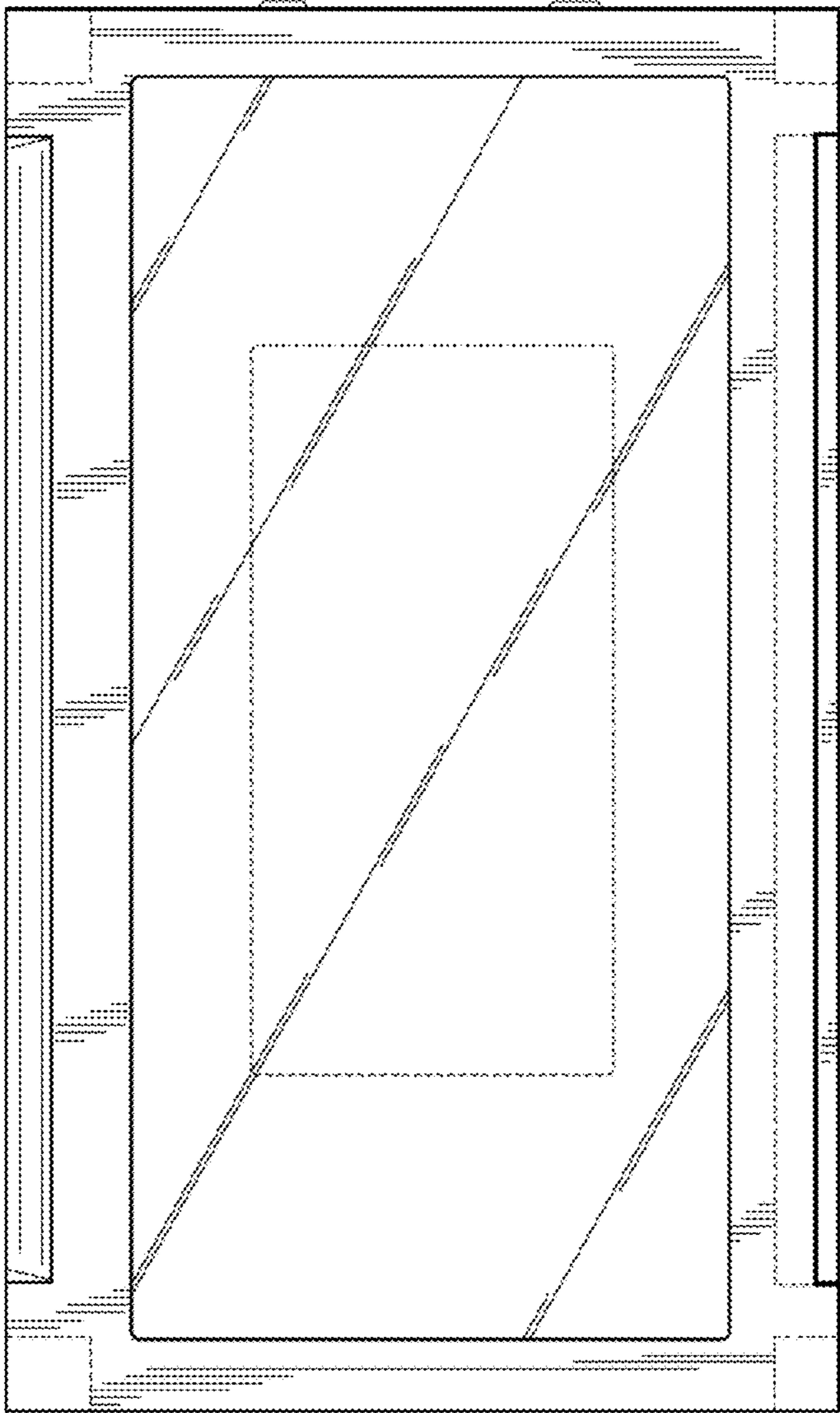


FIG. 4

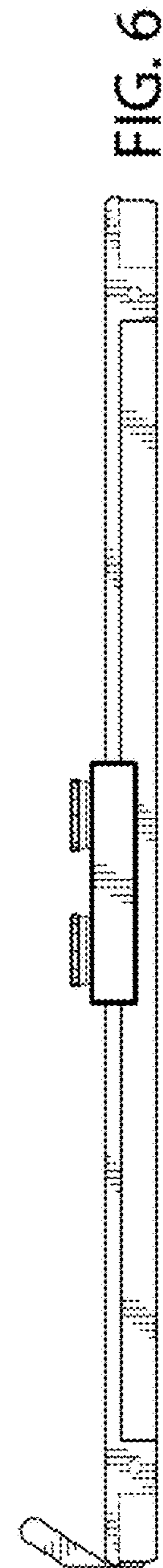


FIG. 6

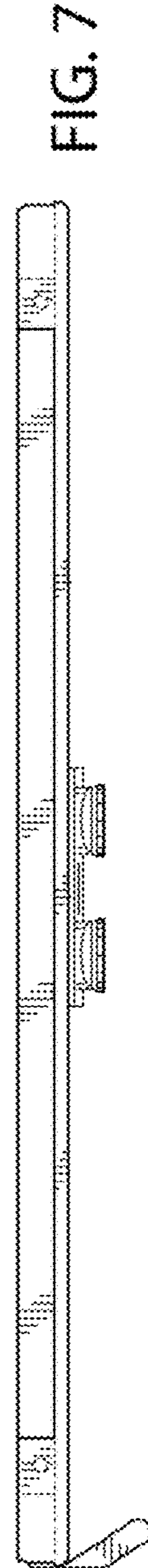


FIG. 7

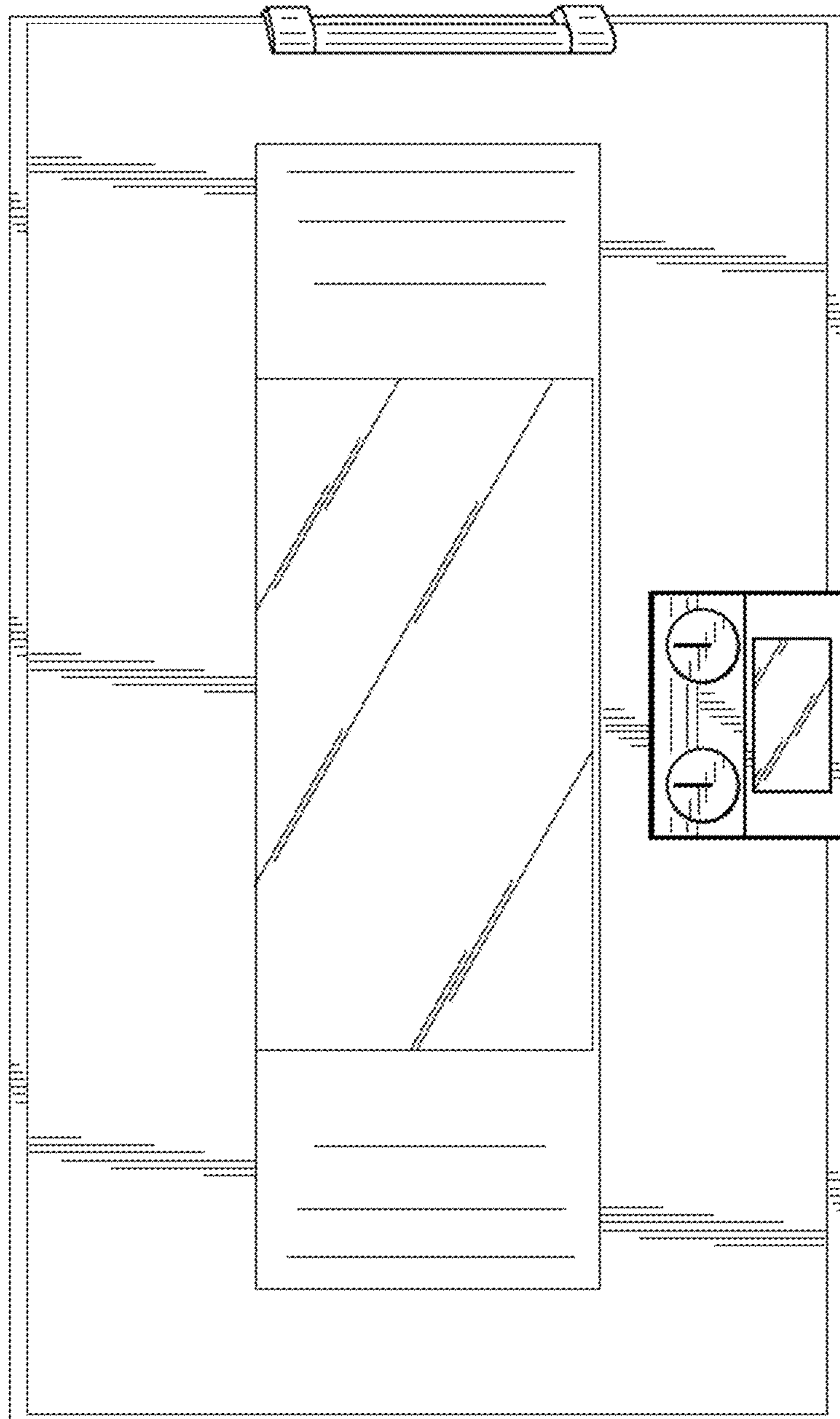


FIG. 8

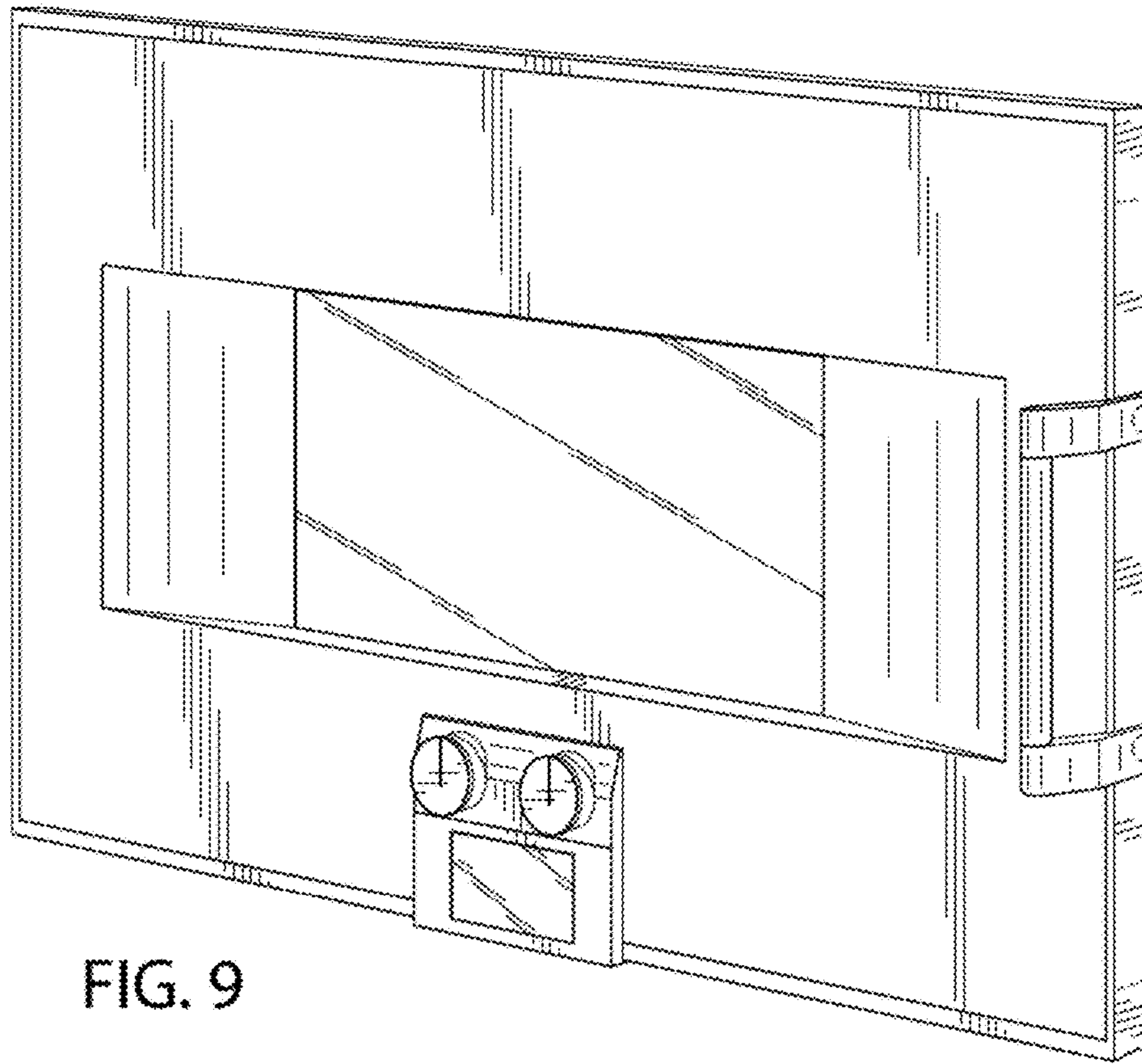


FIG. 9

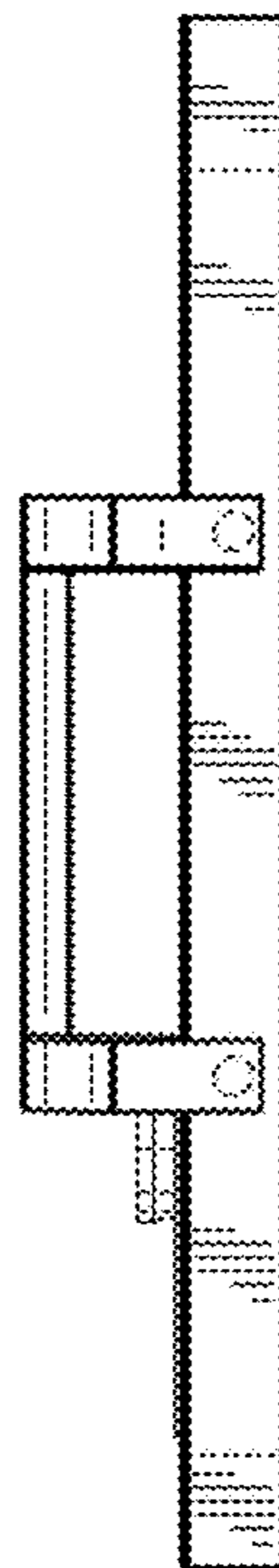


FIG. 10

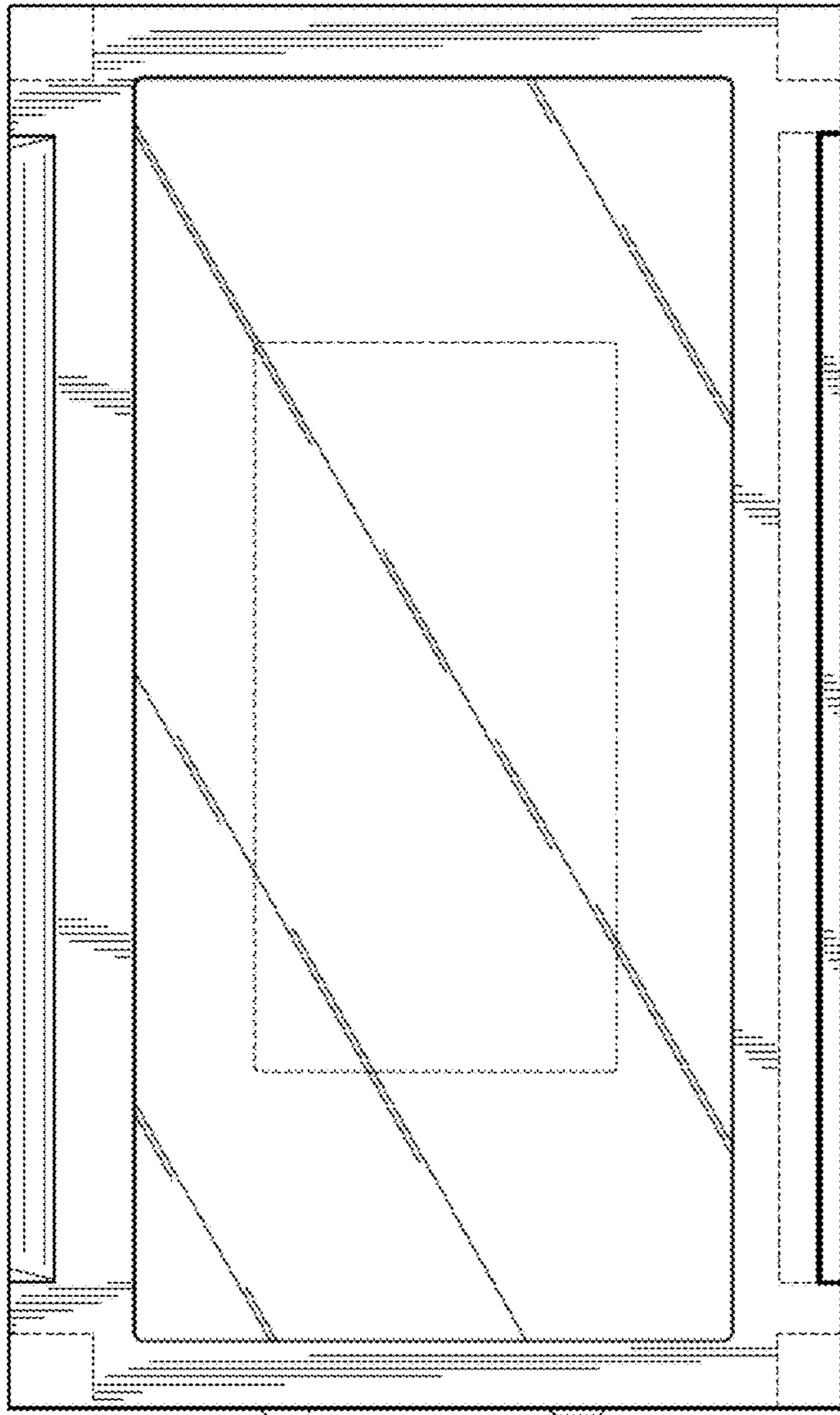


FIG. 11

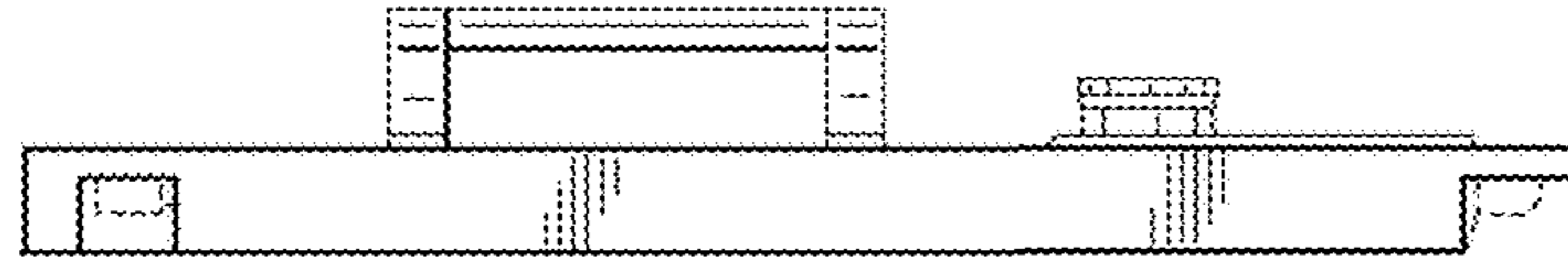


FIG. 12

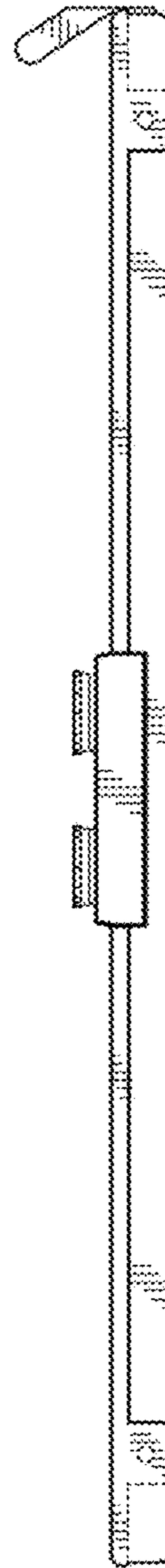


FIG. 13

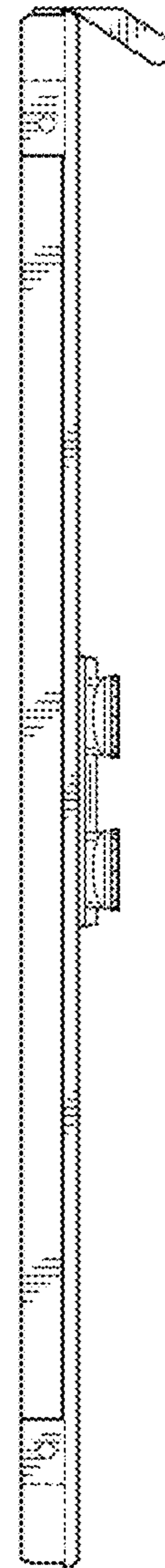


FIG. 14