



US00D781101S

(12) **United States Design Patent** (10) **Patent No.:** **US D781,101 S**  
**Barber** (45) **Date of Patent:** **\*\* Mar. 14, 2017**

(54) **BABY FOOD FEEDER**

(71) Applicant: **Kelly Barber**, Glen Mills, PA (US)

(72) Inventor: **Kelly Barber**, Glen Mills, PA (US)

(\*\*) Term: **15 Years**

(21) Appl. No.: **29/541,847**

(22) Filed: **Oct. 8, 2015**

(51) **LOC (10) Cl.** ..... **07-07**

(52) **U.S. Cl.**  
USPC ..... **D7/391; D7/396.1; D7/392.1; D7/629; D9/435**

(58) **Field of Classification Search**

USPC ..... D7/507, 509, 510, 511, 513, 523, 529, D7/532, 533, 534, 300, 300.1, 591, 608, D7/392, 392.1, 396.1, 396.2, 900, 394, D7/393, 300.2, 629, 609, 601, 602, 554.3, D7/318, 301, 320, 319, 515, 312, 316, D7/391; D9/500, 501, 502, 503, 504, D9/516, 517, 525, 435, 436, 440, 442, D9/443, 449, 434, 556, 438, 538, 447, D9/445, 563, 554, 550, 546, 545, 446, D9/455, 415, 534, 432; D3/202; 222/480, 507, 546, 548, 553; 220/210, 220/212.5, 703, 709, 711, 523, 288, 220/710.5, 717, 200, 23.83, 705, 574; 215/12.1, 216, 11.4, 11.5, 11.1; 40/310, 40/324; D19/20; D20/18, 19, 22; D8/394; D24/197  
CPC ..... B65D 23/02; B65D 39/0052; B65D 39/0082; B65D 39/0076; B65D 39/007; B65D 43/0277; B65D 43/0279; B65D 43/0285; B65D 43/12; B65D 23/06; A61J 2200/72; A61J 9/02; A61J 9/08; A61J 2205/20; B67D 1/16

See application file for complete search history.

(56) **References Cited**

U.S. PATENT DOCUMENTS

|           |     |         |                 |                        |
|-----------|-----|---------|-----------------|------------------------|
| 2,724,536 | A * | 11/1955 | Pugh, Sr. ....  | B65D 77/283<br>215/229 |
| D330,161  | S * | 10/1992 | Schuh .....     | D9/423                 |
| 5,188,283 | A * | 2/1993  | Gu .....        | B65D 77/283<br>215/388 |
| D389,012  | S * | 1/1998  | Miller .....    | D7/391                 |
| D469,011  | S * | 1/2003  | Miller .....    | D3/302                 |
| D472,773  | S * | 4/2003  | Samartgis ..... | D7/629                 |
| D538,588  | S * | 3/2007  | Laib .....      | D7/392.1               |
| D543,423  | S * | 5/2007  | Benson .....    | D7/698                 |
| D554,502  | S * | 11/2007 | Hoffman .....   | D9/432                 |
| D584,612  | S * | 1/2009  | Ianello .....   | D9/435                 |

(Continued)

*Primary Examiner* — Marianne Pandozzi

*Assistant Examiner* — Jae Liang

(74) *Attorney, Agent, or Firm* — Barley Snyder

(57) **CLAIM**

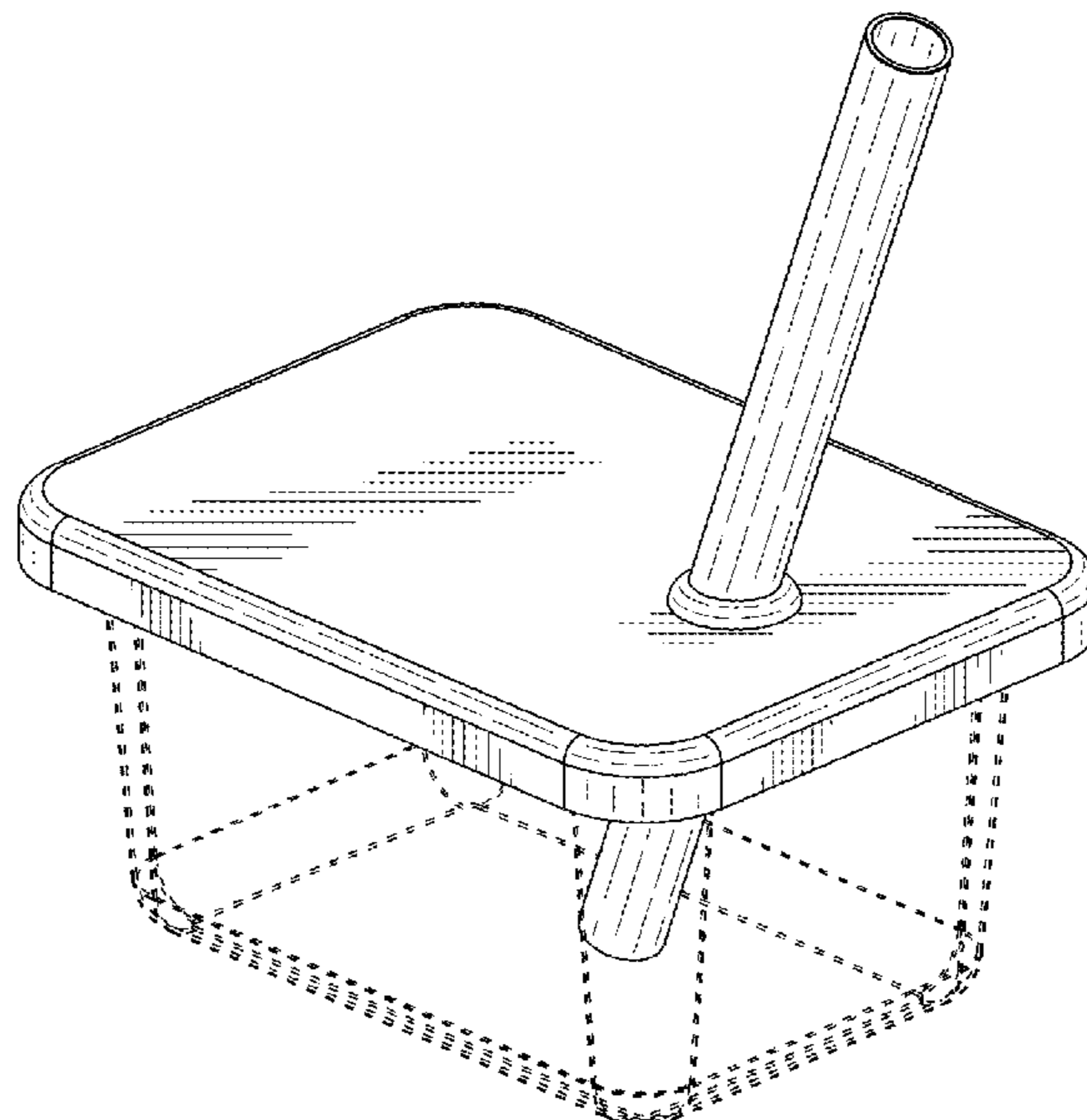
The ornamental design for a baby food feeder, as shown and described.

**DESCRIPTION**

FIG. 1 is a top, front and left side perspective view of a baby food feeder showing my new design;  
FIG. 2 is a top plan view thereof;  
FIG. 3 is a rear elevational view thereof.  
FIG. 4 is a left side elevational view thereof;  
FIG. 5 is a front elevational view thereof;  
FIG. 6 is a right side elevational view thereof;  
FIG. 7 is a bottom plan view thereof; and,  
FIG. 8 is a bottom, rear and right side perspective view thereof.

The broken lines shown in the drawings depict portions of the baby food feeder that form no part of the claimed design.

**1 Claim, 4 Drawing Sheets**



(56)

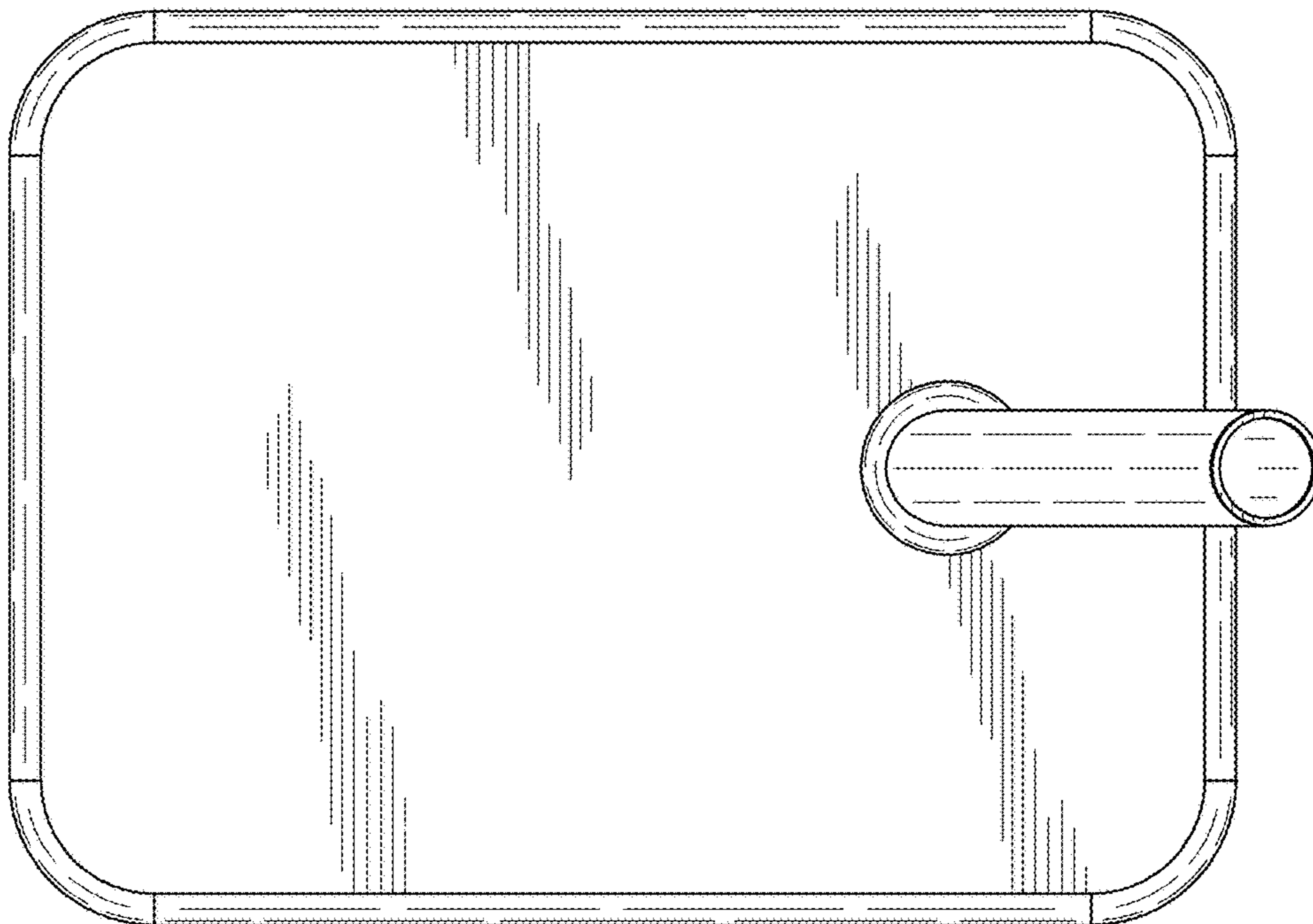
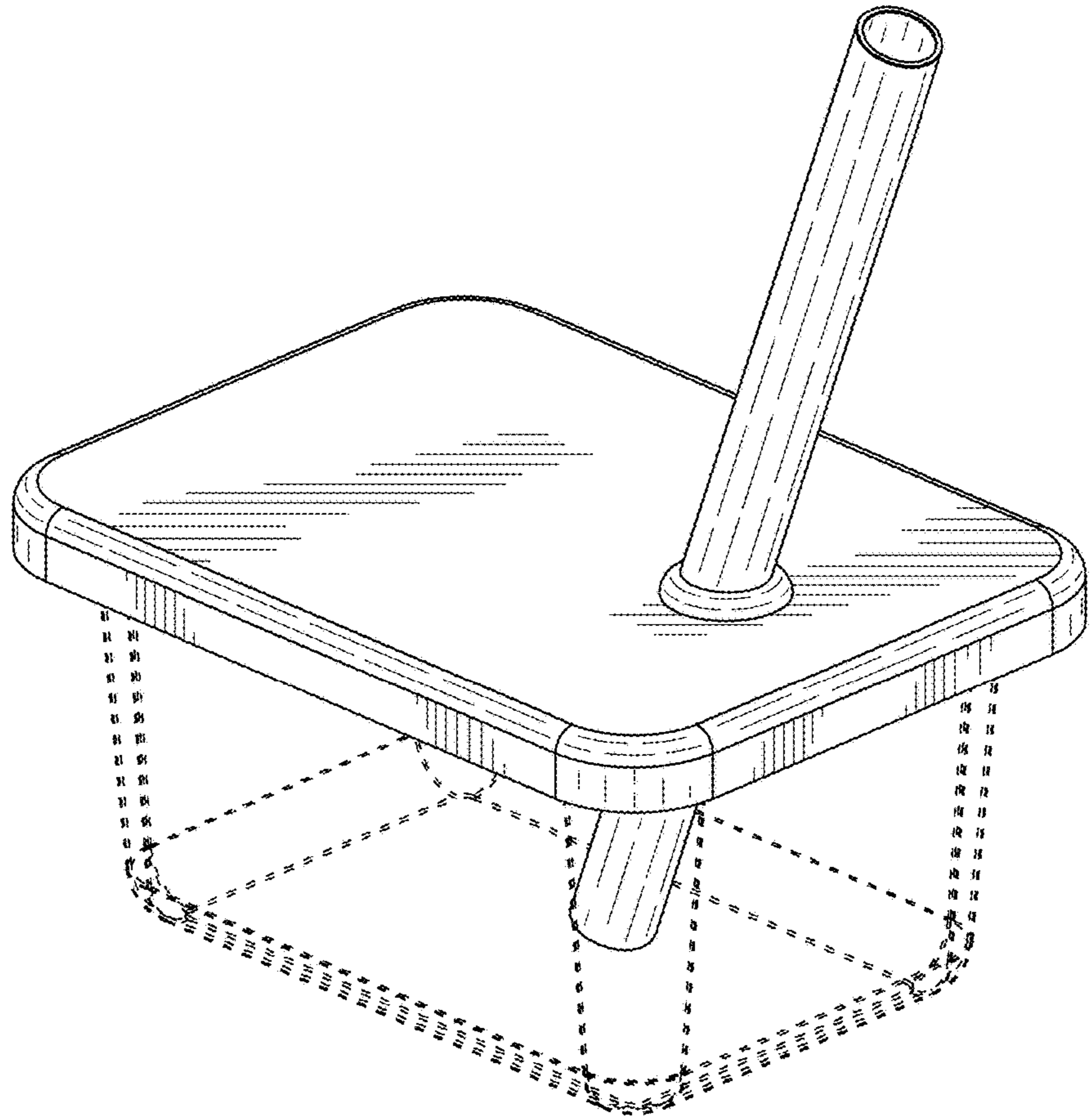
**References Cited**

U.S. PATENT DOCUMENTS

|              |    |   |         |                  |       |                       |
|--------------|----|---|---------|------------------|-------|-----------------------|
| D588,914     | S  | * | 3/2009  | Laurieu-Tedeschi | ..... | D9/435                |
| D666,878     | S  | * | 9/2012  | Siegel           | ..... | D7/629                |
| D670,569     | S  | * | 11/2012 | Siegel           | ..... | D7/629                |
| D674,241     | S  | * | 1/2013  | Bickert          | ..... | D7/510                |
| D674,691     | S  | * | 1/2013  | Martineck        | ..... | D9/432                |
| D686,491     | S  | * | 7/2013  | Kuo              | ..... | D9/432                |
| D699,082     | S  | * | 2/2014  | Duvigneau        | ..... | D7/629                |
| D700,010     | S  | * | 2/2014  | Duvigneau        | ..... | D7/391                |
| D749,363     | S  | * | 2/2016  | Tacker           | ..... | D7/510                |
| D756,561     | S  | * | 5/2016  | Ghiotti          | ..... | D27/186               |
| D760,037     | S  | * | 6/2016  | Weernink         | ..... | D7/629                |
| 2002/0148845 | A1 |   | 10/2002 | Zettle et al.    |       |                       |
| 2011/0210126 | A1 | * | 9/2011  | Vovan            | ..... | A47G 19/06<br>220/574 |
| 2015/0021321 | A1 |   | 1/2015  | Gosen et al.     |       |                       |

\* cited by examiner

**FIG. 1**



**FIG. 2**

FIG. 3

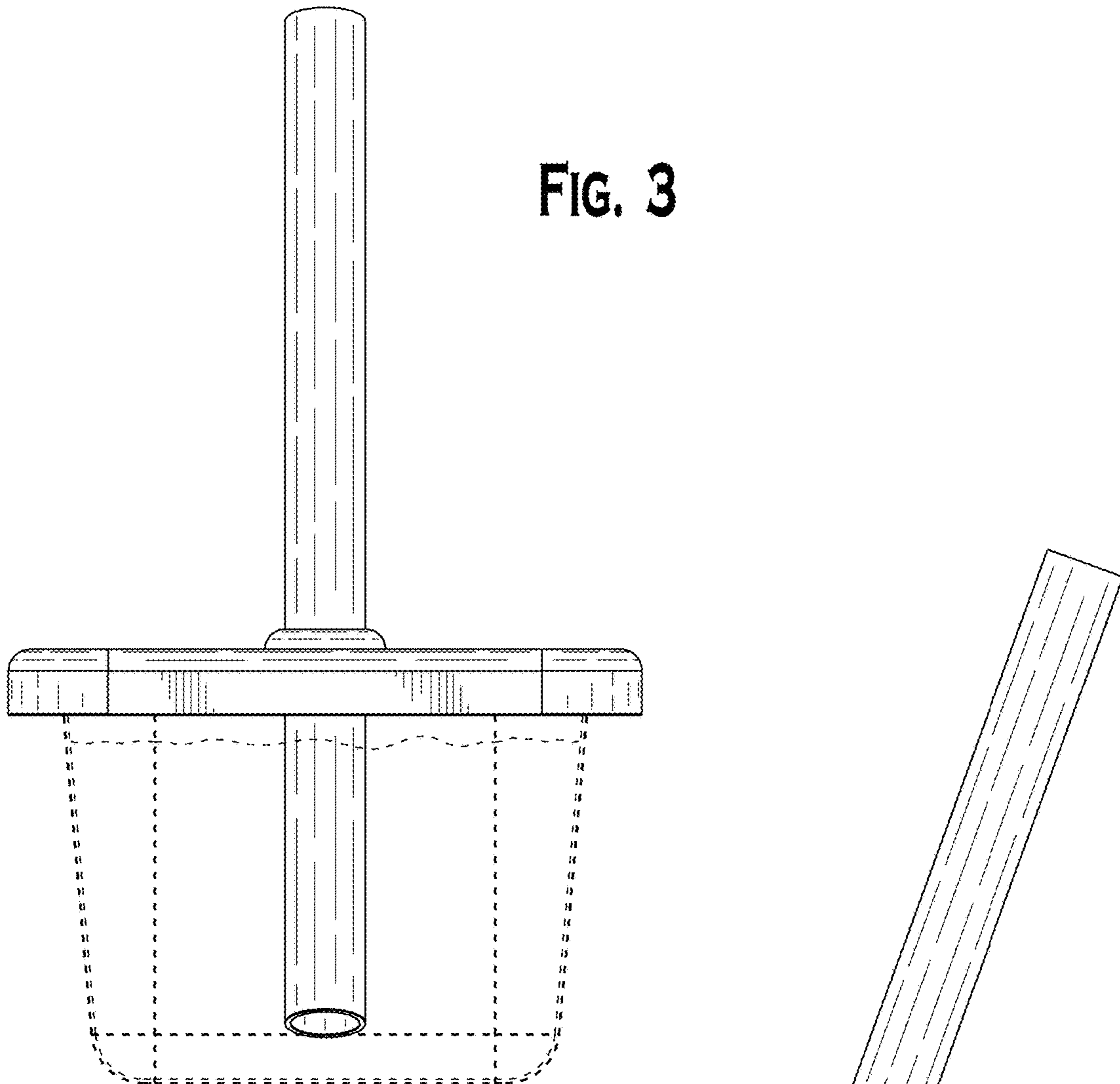


FIG. 4

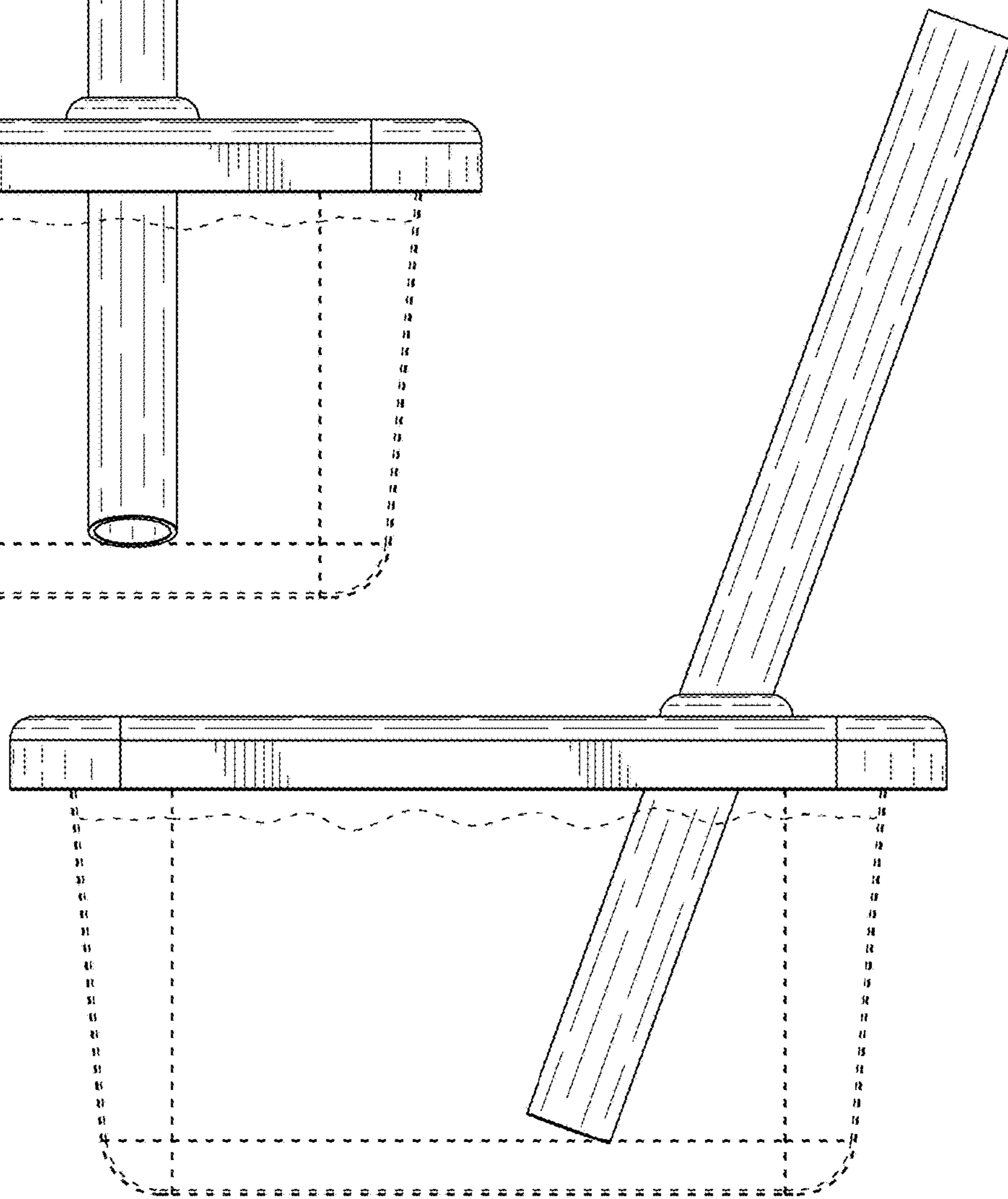




FIG. 5

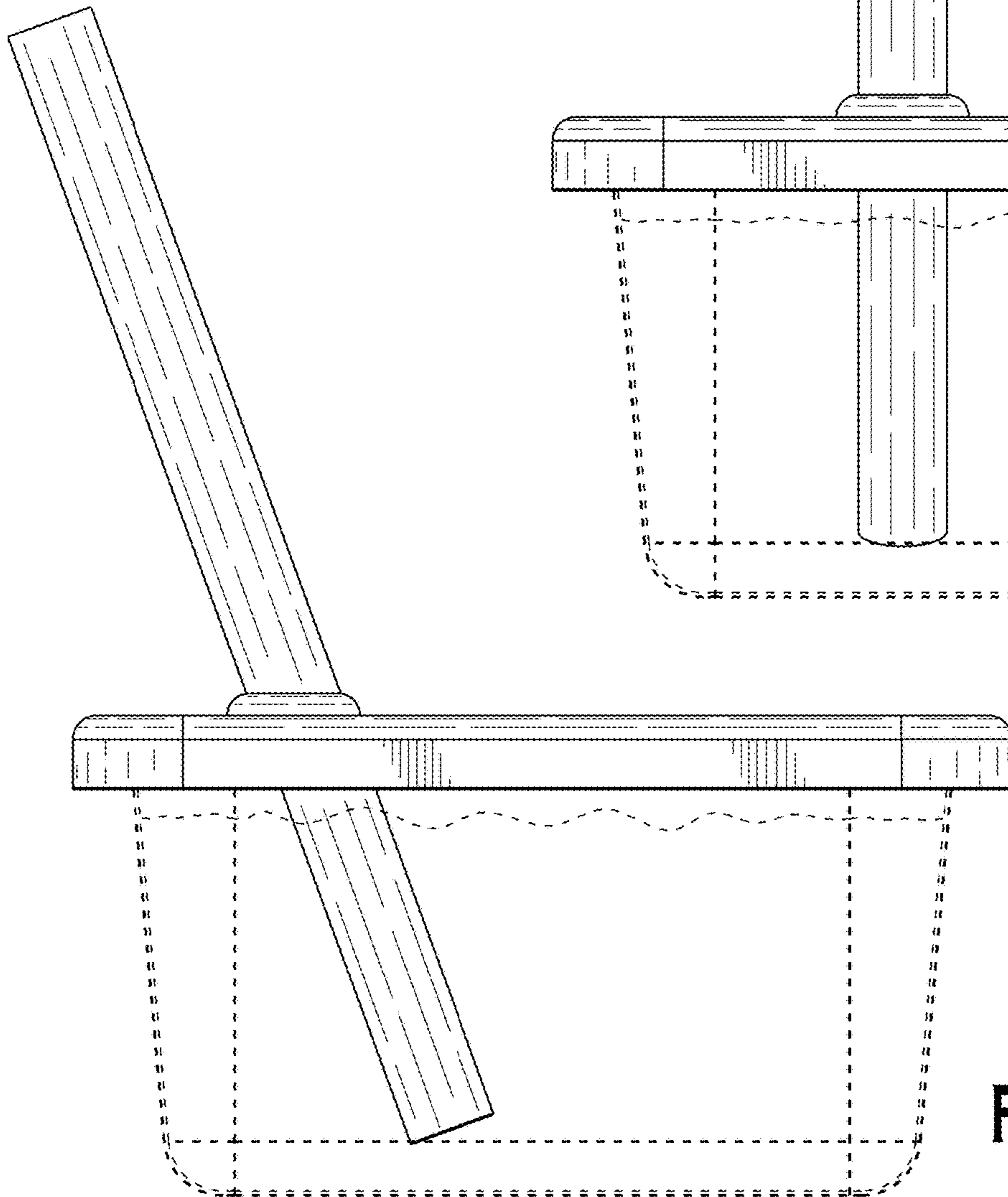
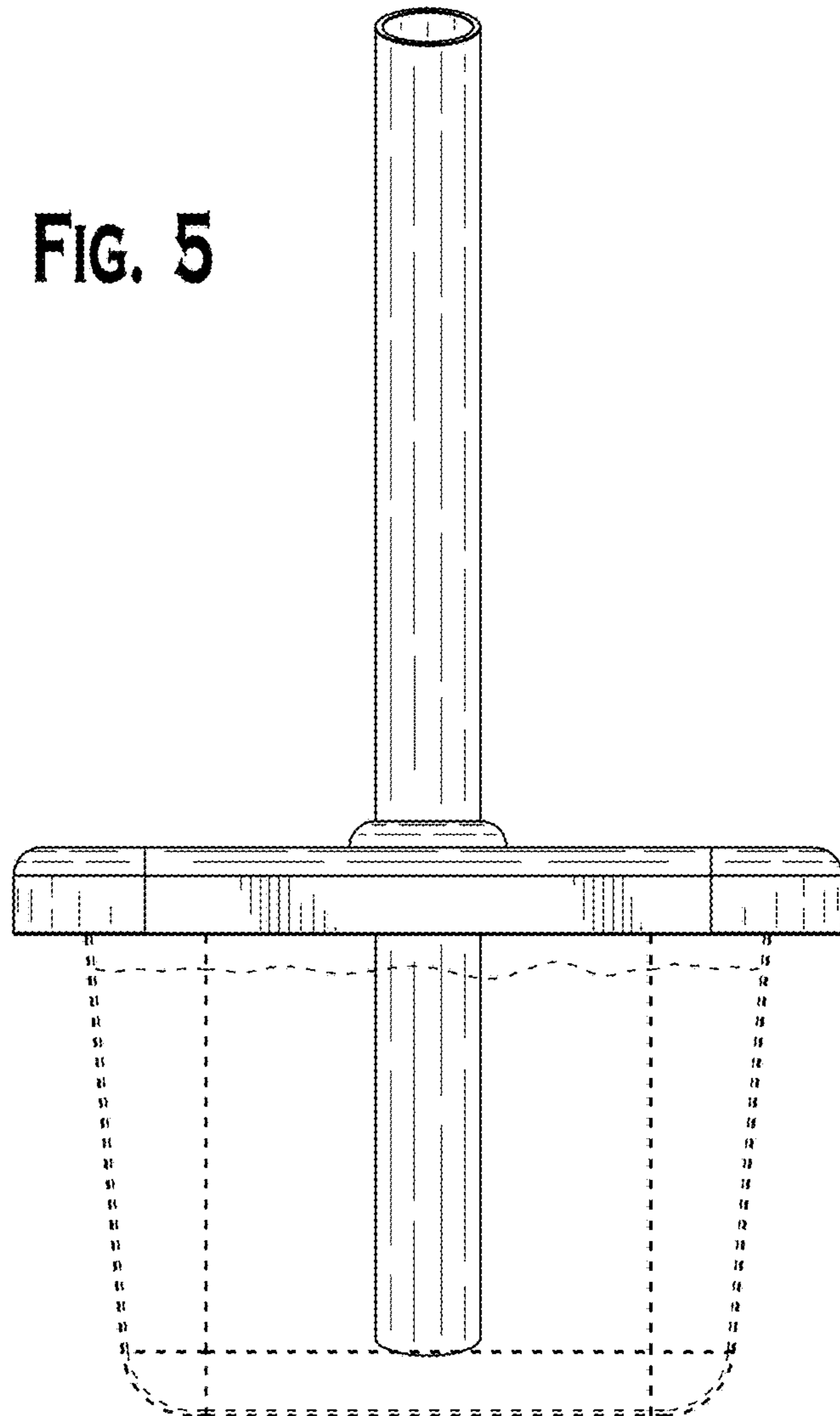


FIG. 6

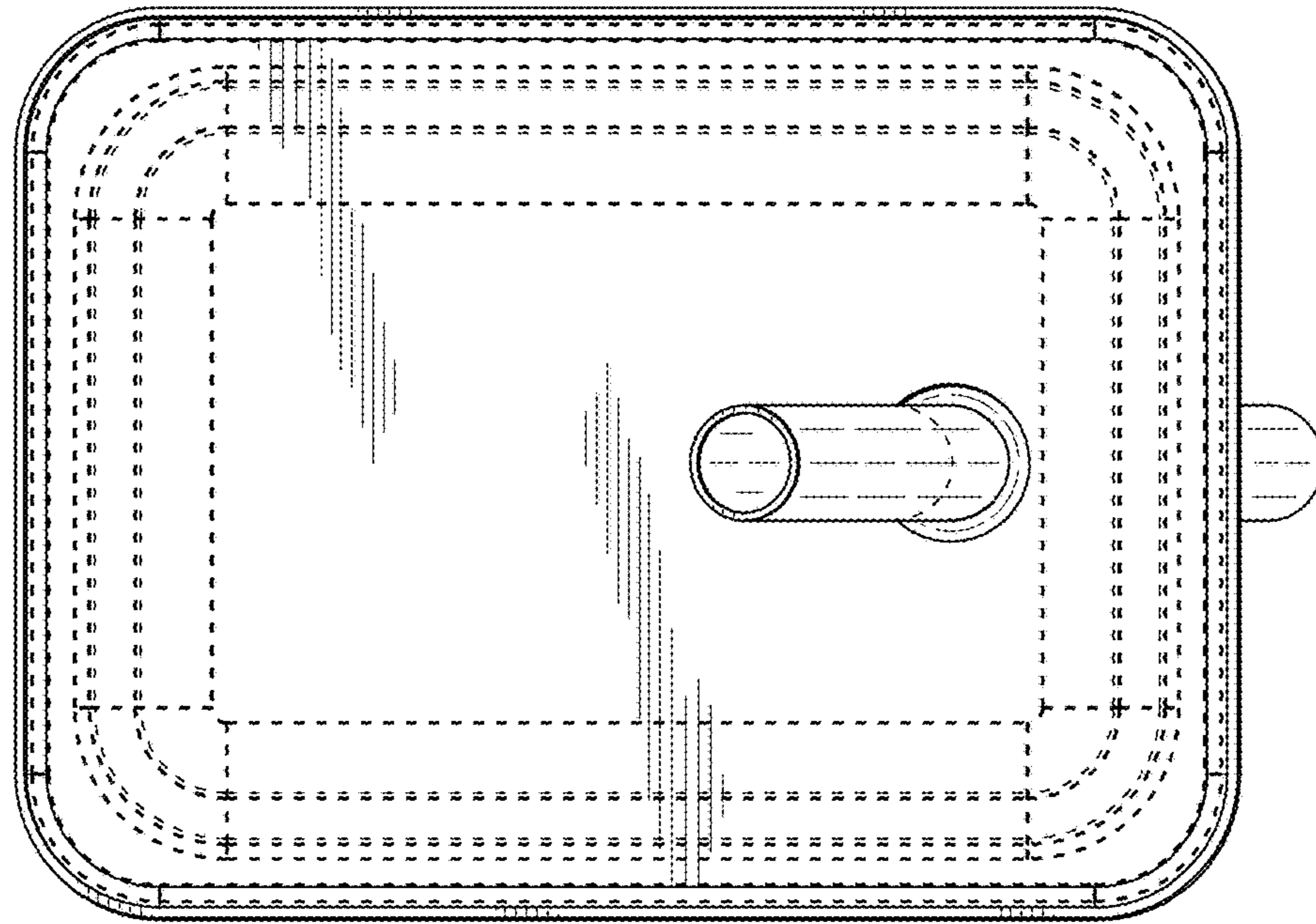


FIG. 7

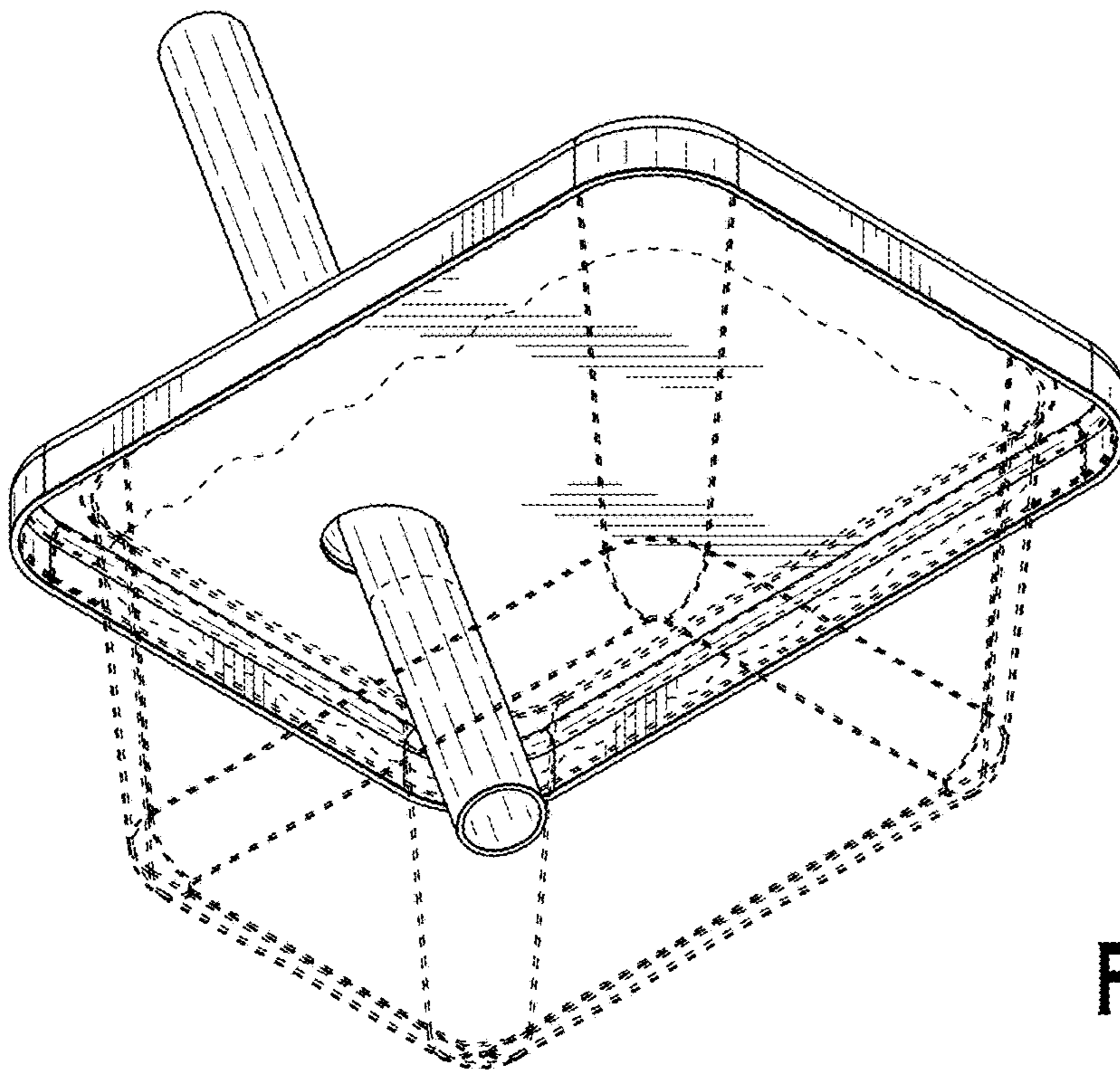


FIG. 8