



US00D781098S

(12) **United States Design Patent** (10) **Patent No.:** **US D781,098 S**
Bond et al. (45) **Date of Patent:** **** Mar. 14, 2017**

(54) **BLENDER**

Primary Examiner — Ricky Pham

(71) Applicant: **Nostalgia Products LLC**, Green Bay, WI (US)

(74) *Attorney, Agent, or Firm* — Blakely Sokoloff Taylor & Zafman LLP

(72) Inventors: **Gregg Bond**, Beverly Hills, CA (US);
Edward E. Boughton, III, Ventura, CA (US)

(57) **CLAIM**

(73) Assignee: **NOSTALGIA PRODUCTS LLC**, Green Bay, WI (US)

The ornamental design for blender, as shown and described.

(**) Term: **15 Years**

DESCRIPTION

(21) Appl. No.: **29/544,196**

(22) Filed: **Oct. 30, 2015**

(51) **LOC (10) Cl.** **31-00**

(52) **U.S. Cl.**
USPC **D7/386**; D7/376; D7/378

(58) **Field of Classification Search**
USPC D7/326, 372, 376–386, 412–413, 602,
D7/629, 665–666, 669, 679, 693–694
CPC A21C 1/02; A21C 1/04; A23N 1/00; A23N
1/02; A47J 43/04; A47J 43/25; A47J
43/27; A47J 43/042; A47J 43/044; A47J
43/046; A47J 43/075; A47J 43/0716;
A47J 43/0722; A47J 43/0727; B01F 3/00;
B01F 3/0807; B01F 3/0853; B01F
13/0059; B01F 13/0064; B02C 1/08;
B02C 2/04; B02C 4/42; B02C 4/142;
B02C 4/143; B02C 4/423; B02C 13/1835;
B28C 5/10; B28C 5/12; B28C 5/14;
B28C 5/16

See application file for complete search history.

FIG. 1 is a perspective view of a blender illustrating our new design.

FIG. 2 is a front elevation view thereof.

FIG. 3 is a rear elevation view thereof.

FIG. 4 is a right side elevation view thereof.

FIG. 5 is a left side elevation view thereof.

FIG. 6 is a top plan view thereof.

FIG. 7 is a bottom plan view thereof.

FIG. 8 is front perspective view of a first alternate embodiment of our new design.

FIG. 9 is a front elevation view of the first alternate embodiment.

FIG. 10 is a rear elevation view thereof.

FIG. 11 is a right side elevation view thereof.

FIG. 12 is a left side elevation view thereof.

FIG. 13 is a top plan view thereof.

FIG. 14 is a bottom plan view thereof.

FIG. 15 is a front perspective view of a second alternate embodiment of our new design.

FIG. 16 is a front elevation view thereof.

FIG. 17 is a rear elevation view thereof.

FIG. 18 is a right side elevation view thereof.

FIG. 19 is a left side elevation view thereof.

FIG. 20 is a top plan view thereof; and,

FIG. 21 is a bottom plan view thereof.

The broken lines shown in the drawings are for illustrative purposes only and form no part of the claimed design.

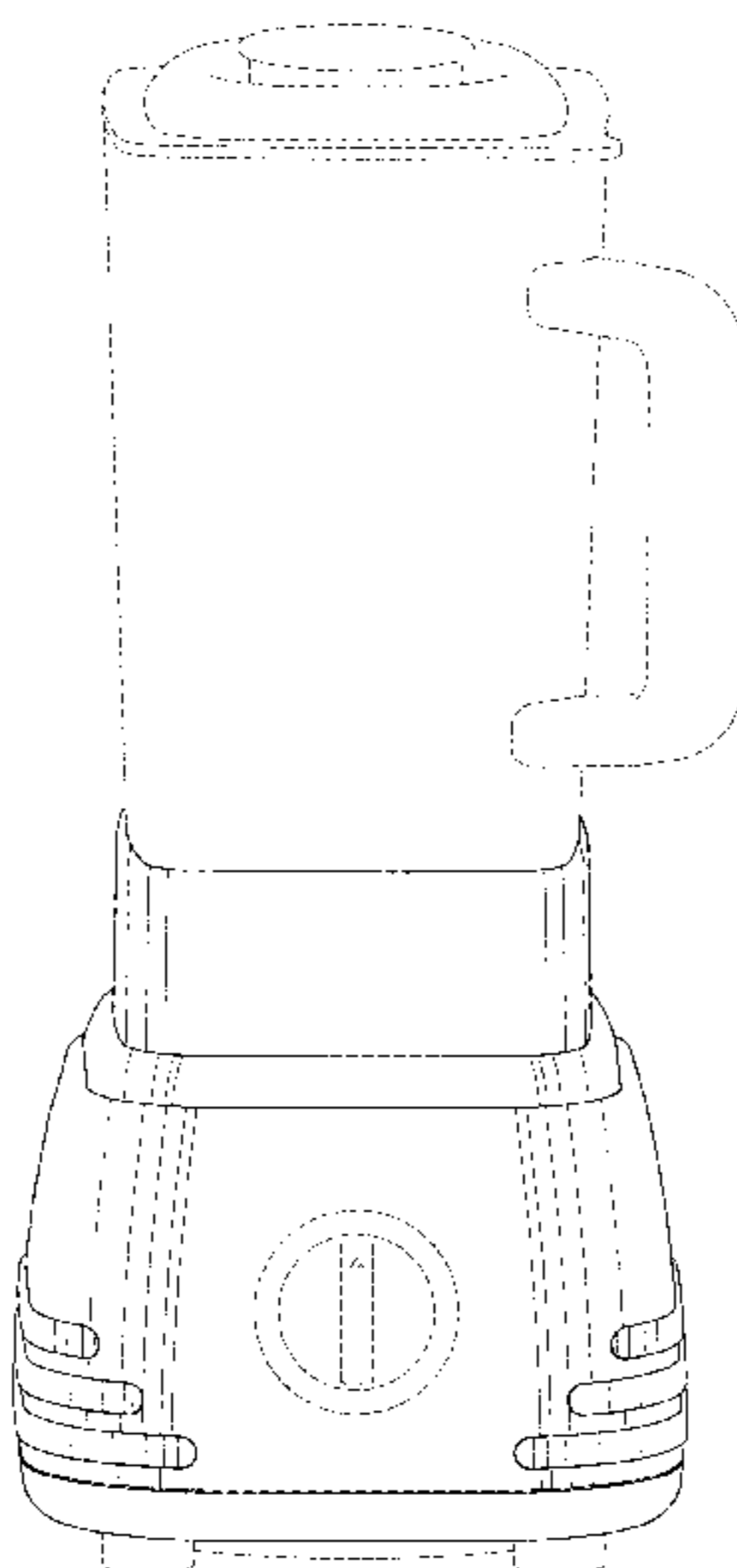
(56) **References Cited**

U.S. PATENT DOCUMENTS

D176,257 S * 12/1955 Hill et al. D7/378
D181,541 S * 11/1957 Madl et al. D7/378
D187,684 S * 4/1960 Hauser D7/378
D199,888 S * 12/1964 Dewenter D7/378

(Continued)

1 Claim, 18 Drawing Sheets



(56)

References Cited

U.S. PATENT DOCUMENTS

D507,149 S *	7/2005	Ball	D7/386
D613,547 S *	4/2010	Day	D7/378
D616,244 S *	5/2010	Thai	D7/378
D642,858 S *	8/2011	Lazzer	D7/376
D679,935 S *	4/2013	Tse	D7/326
D725,432 S *	3/2015	Gao	D7/376
D747,135 S *	1/2016	Ha	D7/376
D755,004 S *	5/2016	Bock	D7/376
D759,424 S *	6/2016	Ou	D7/376

* cited by examiner

FIG. 1

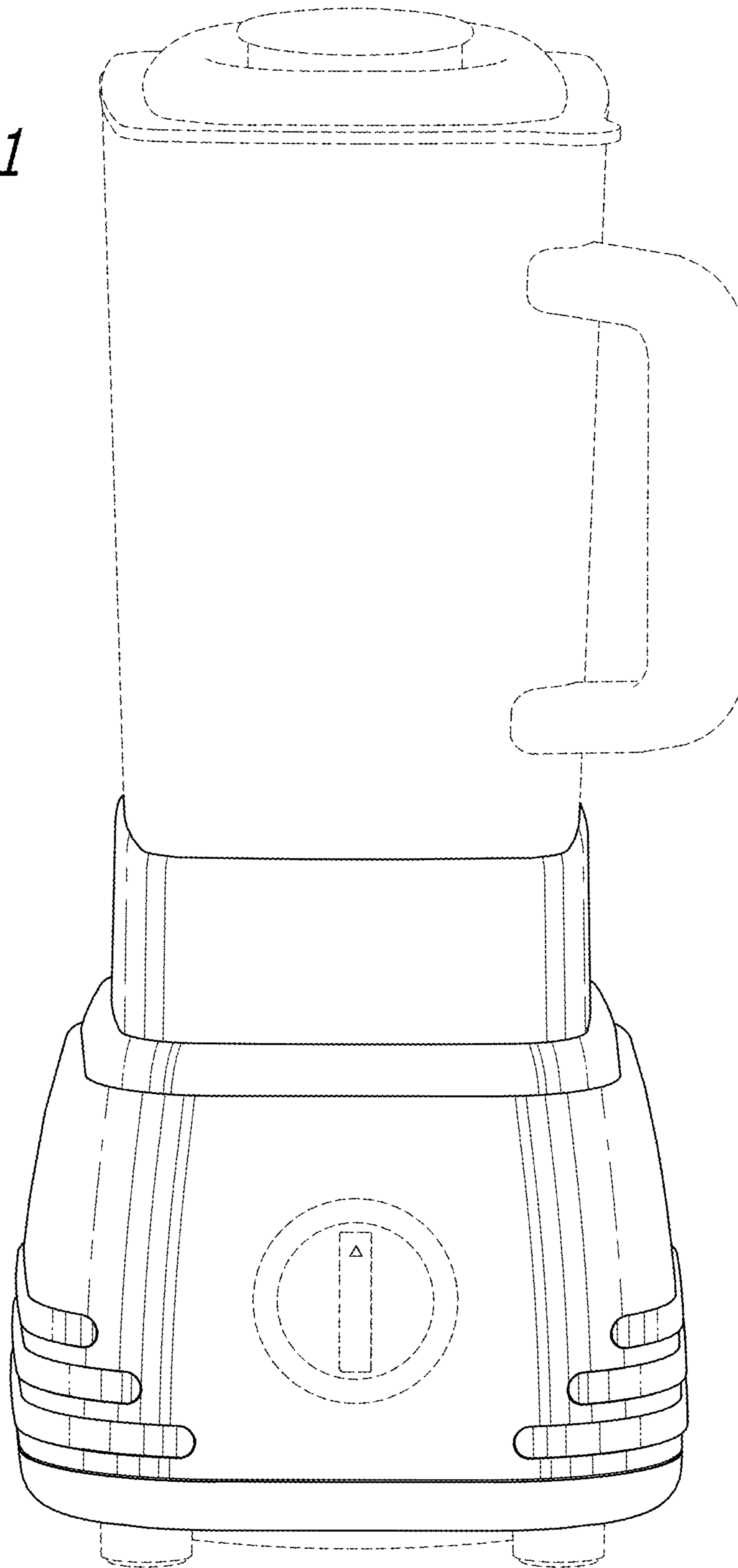
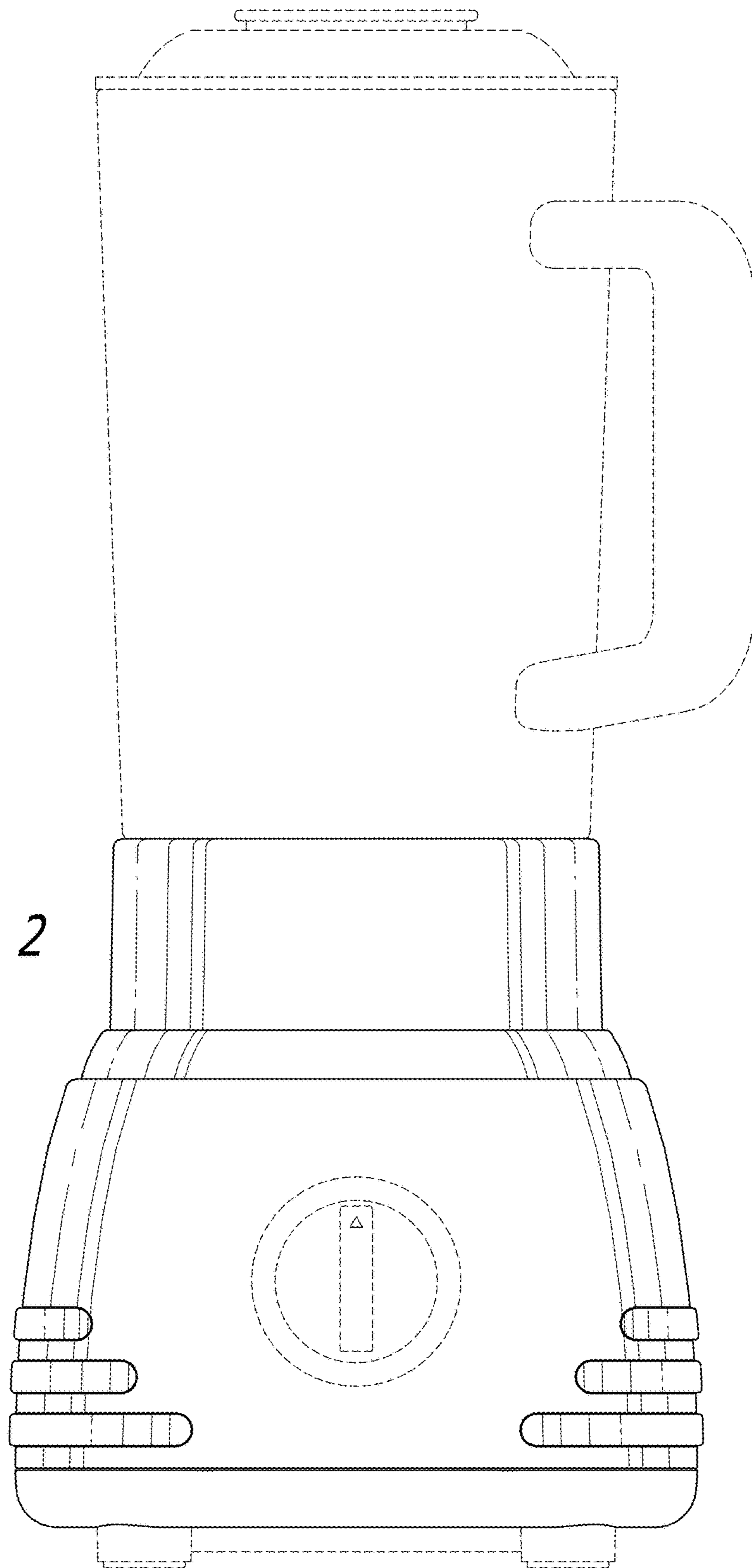
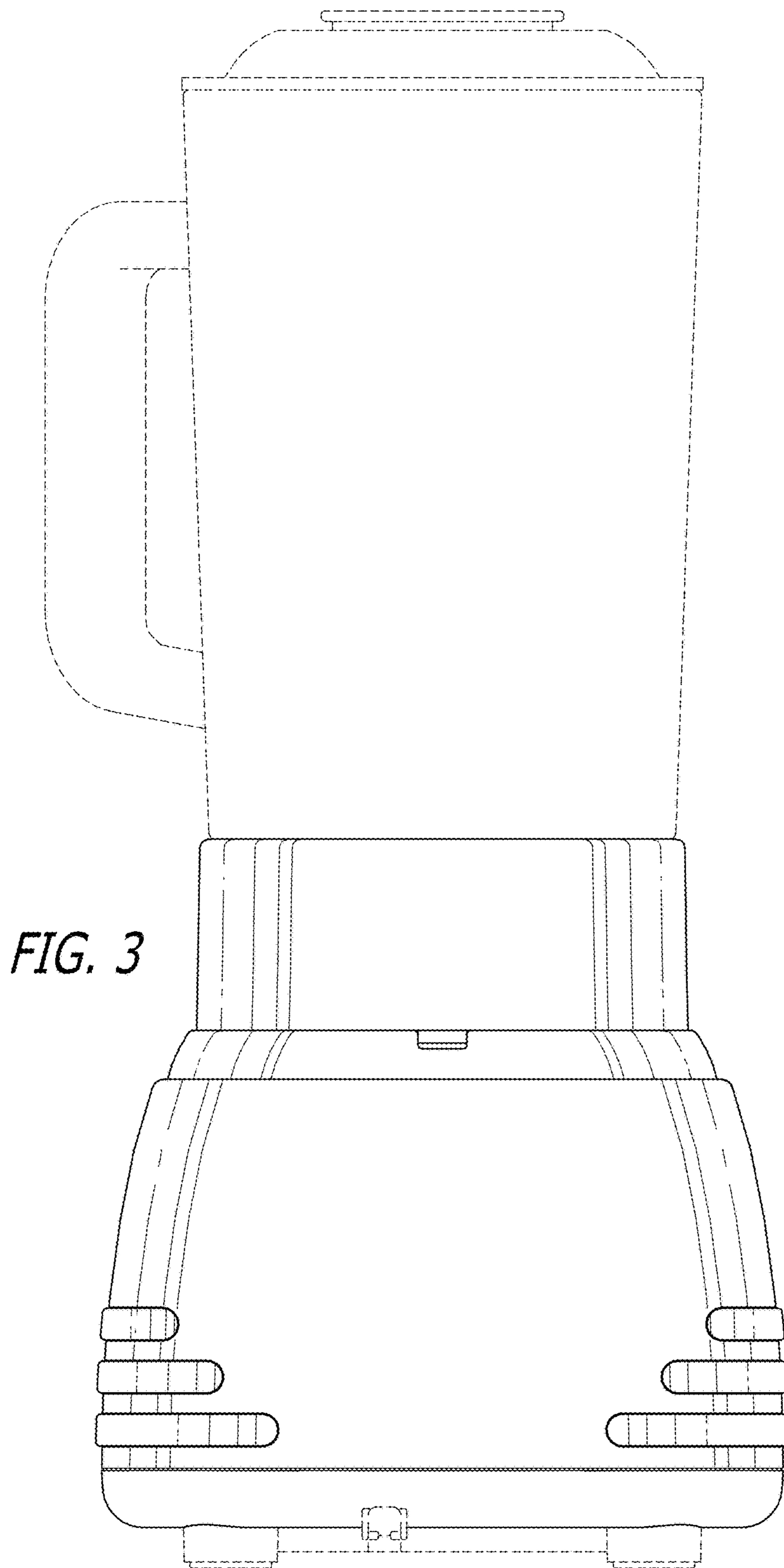


FIG. 2





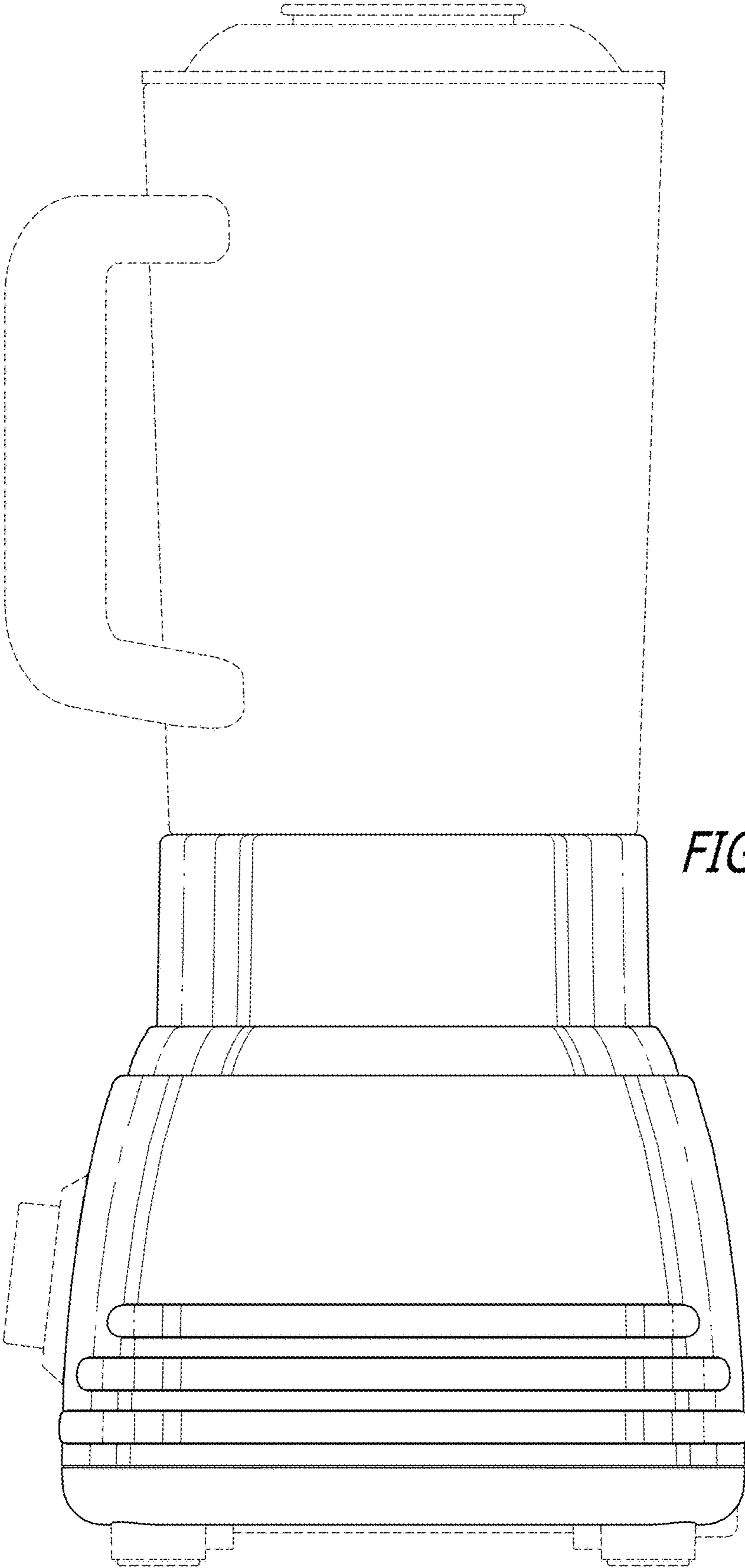


FIG. 4

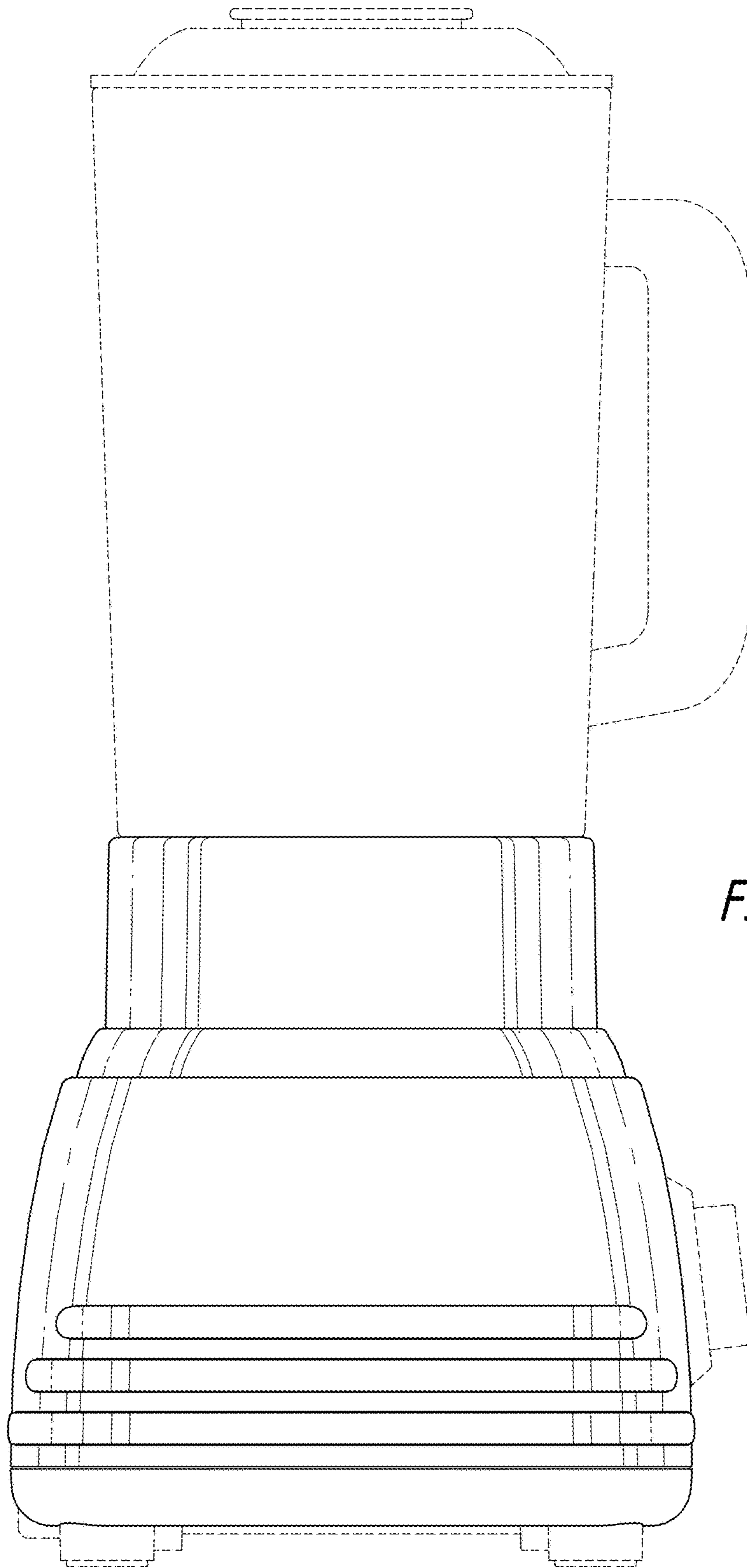


FIG. 5

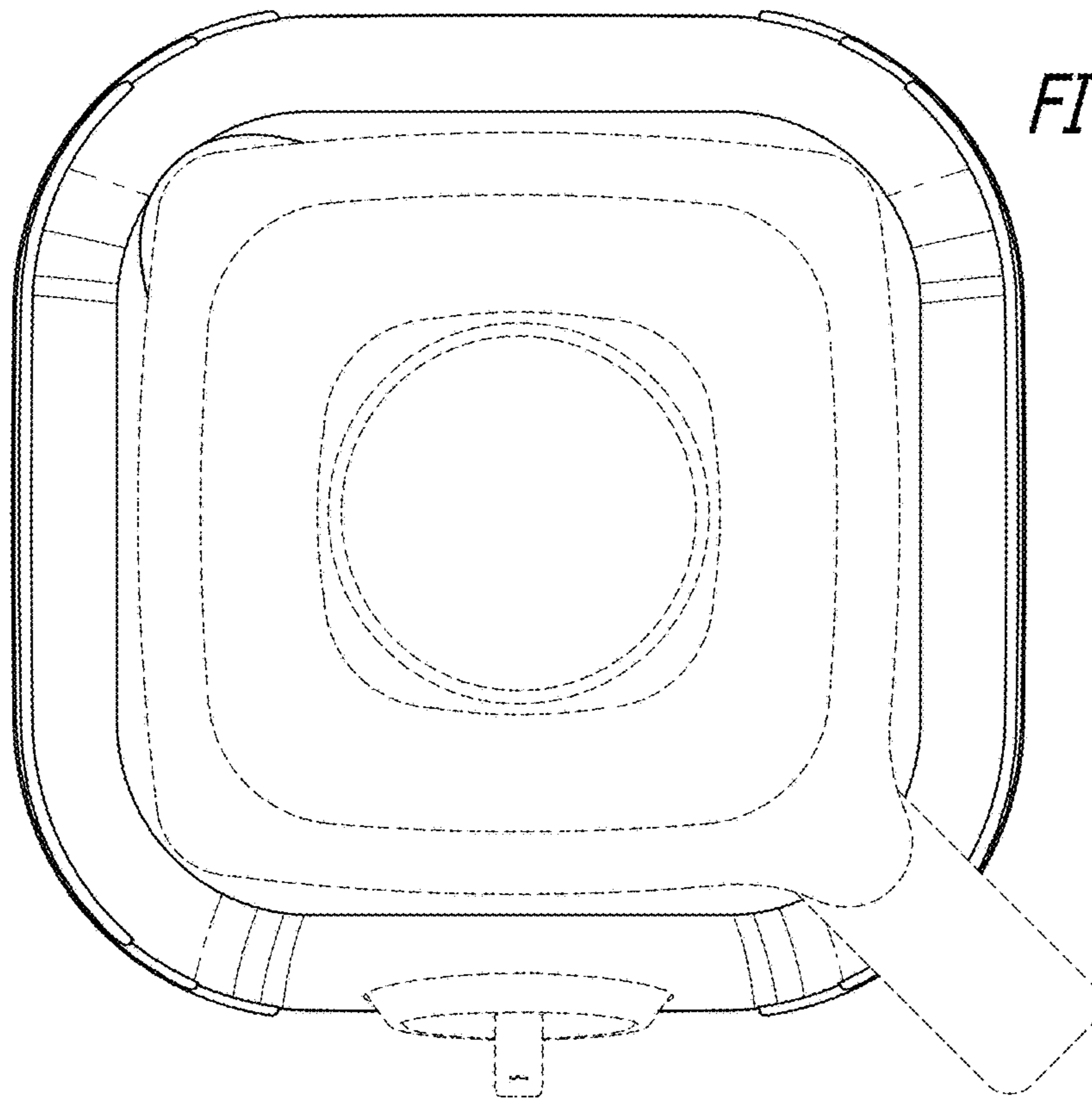


FIG. 6

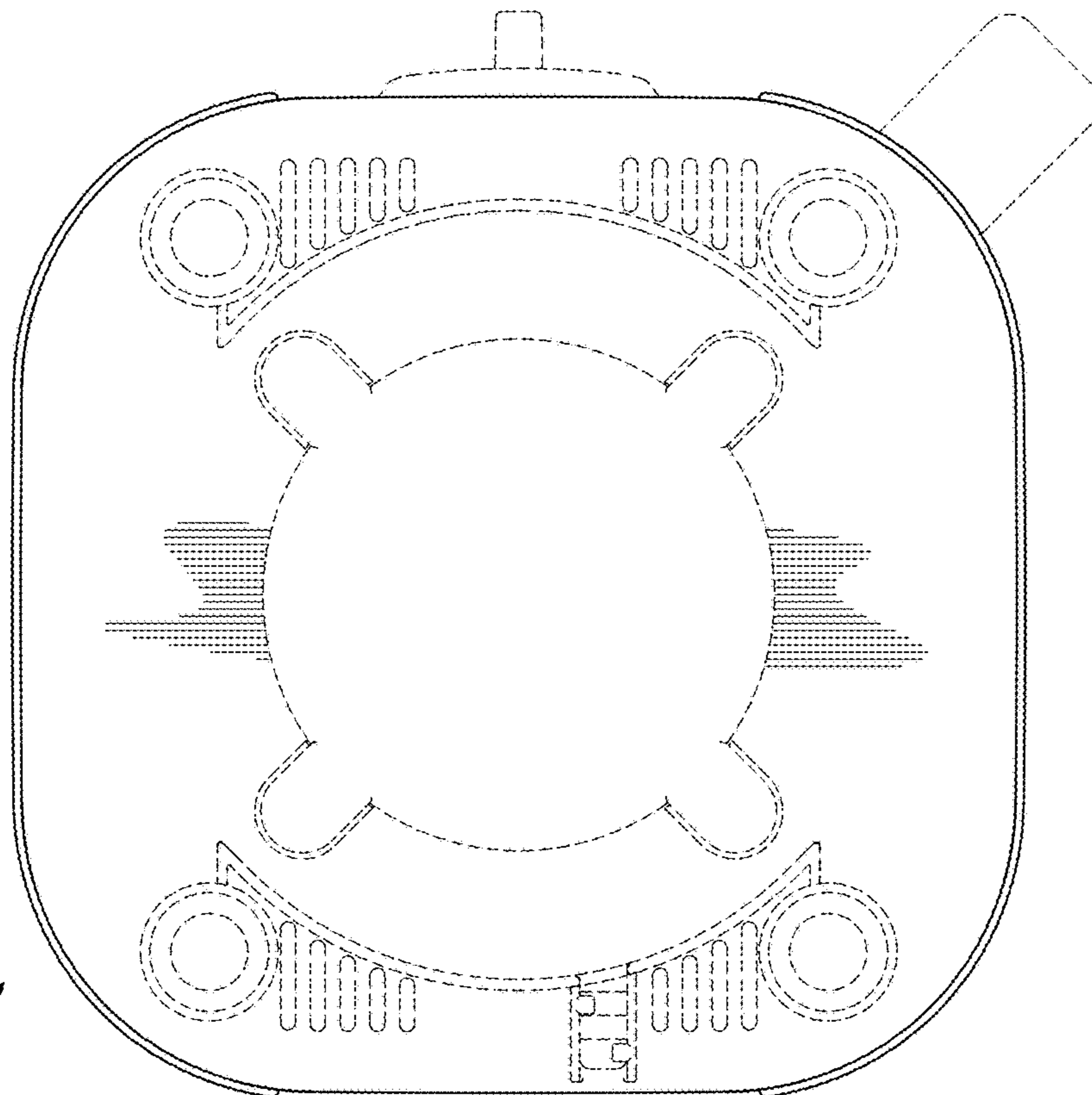
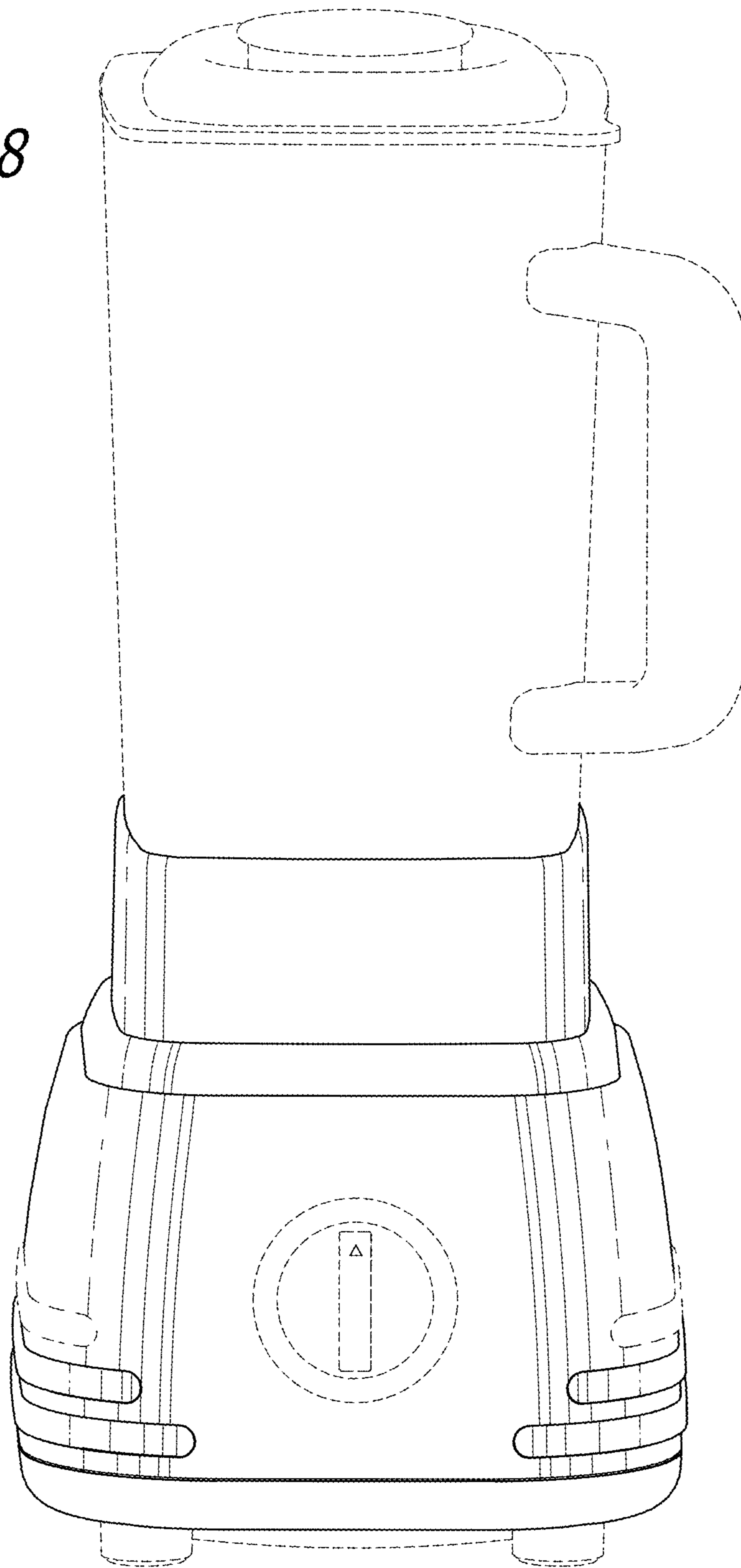


FIG. 7

FIG. 8



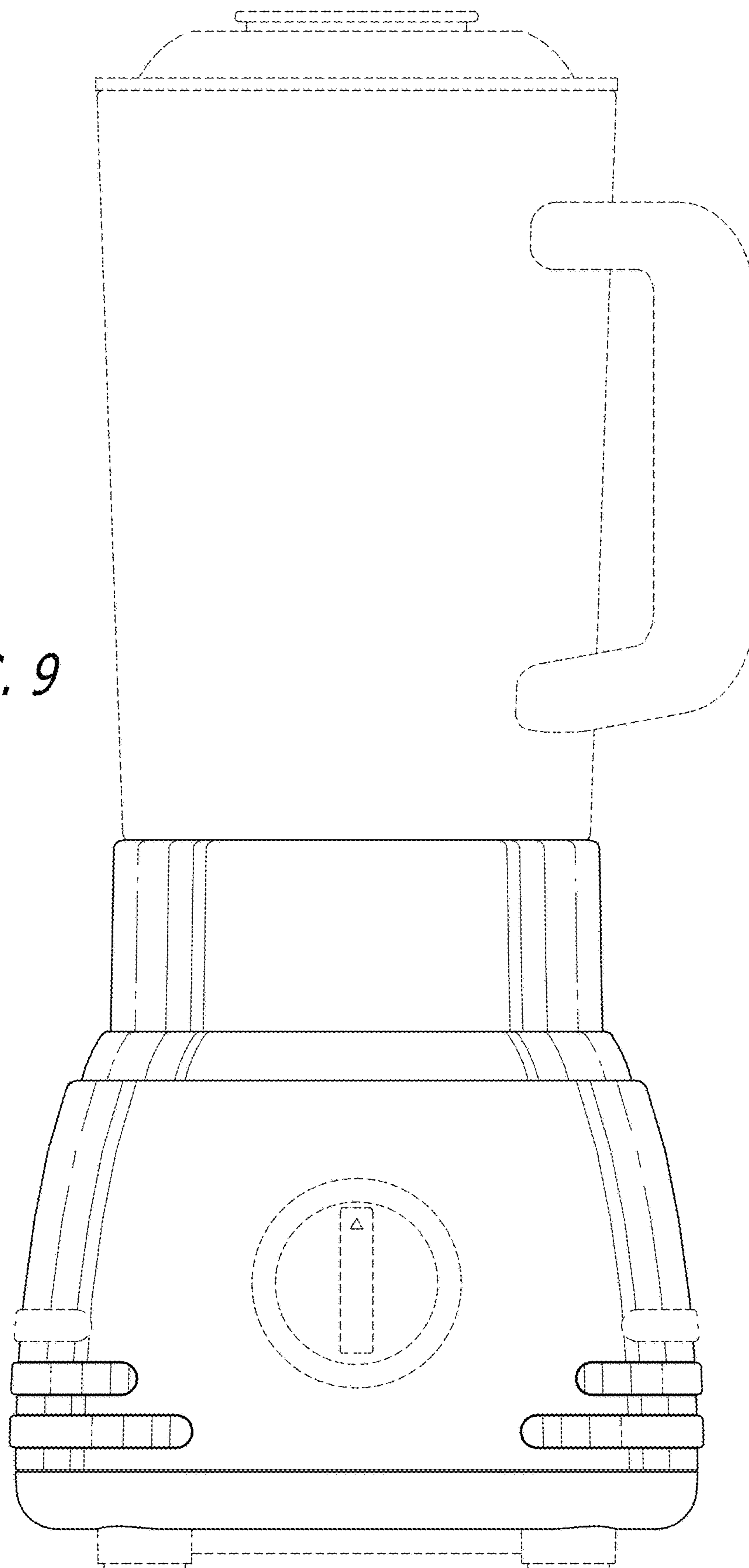


FIG. 9

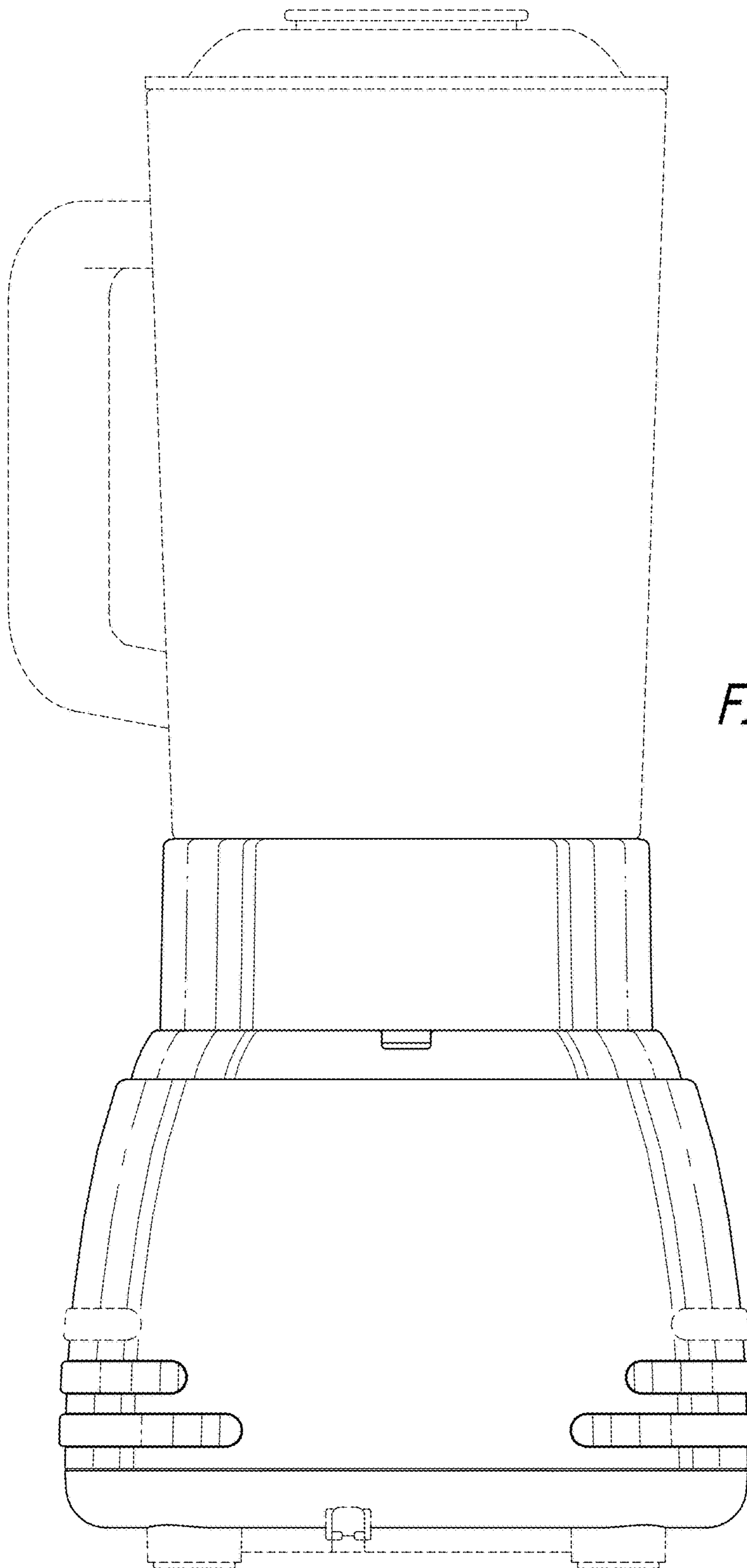
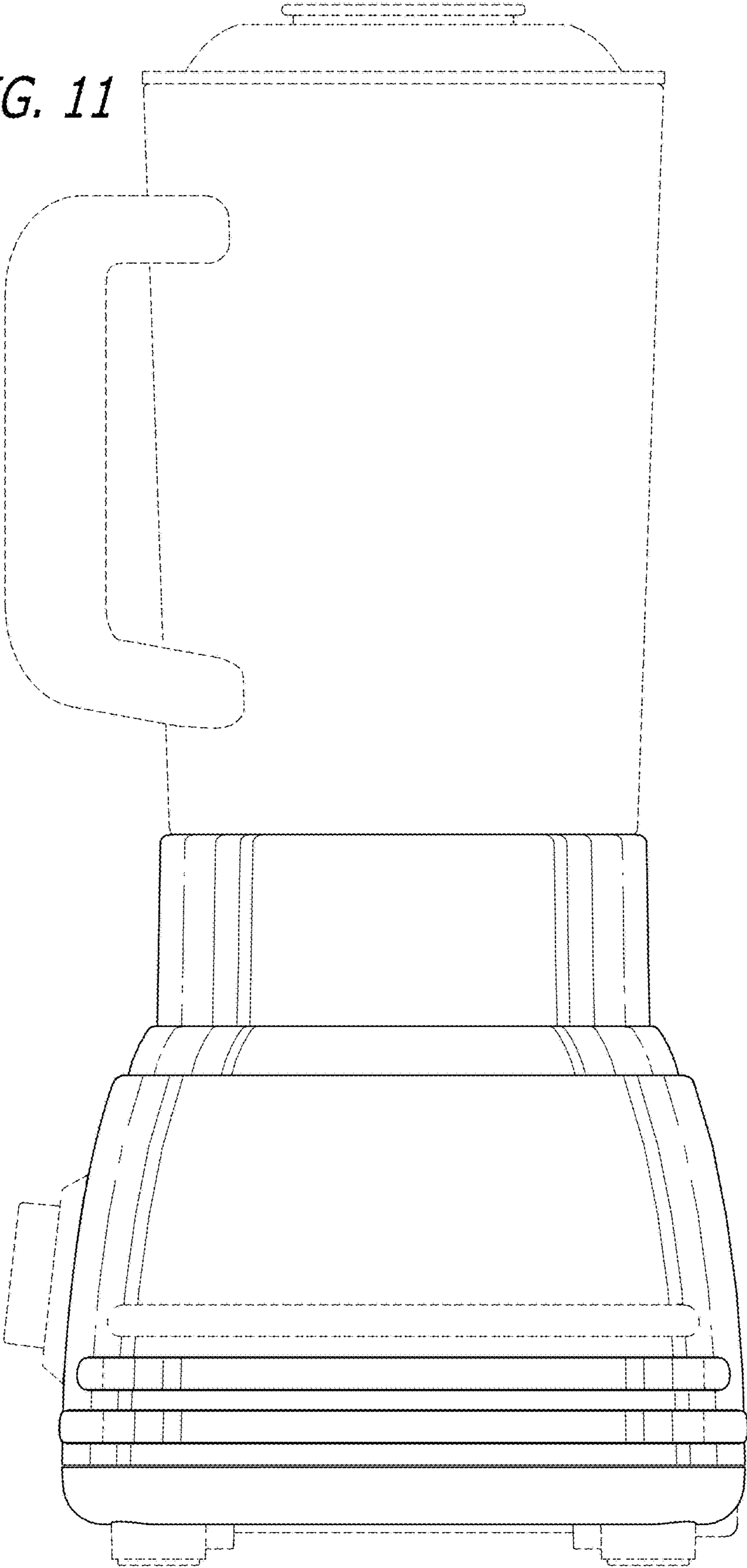


FIG. 10

FIG. 11



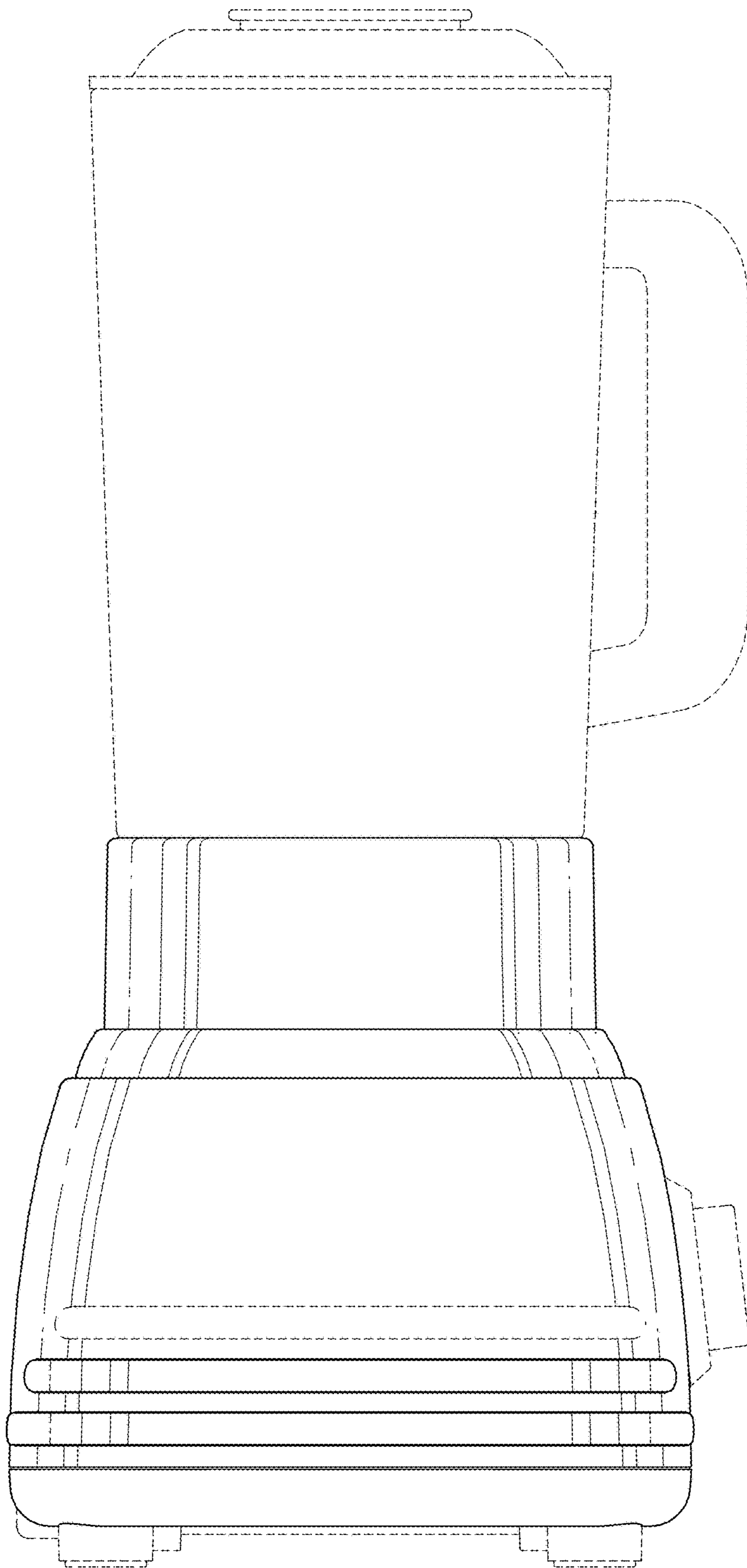


FIG. 12

FIG. 13

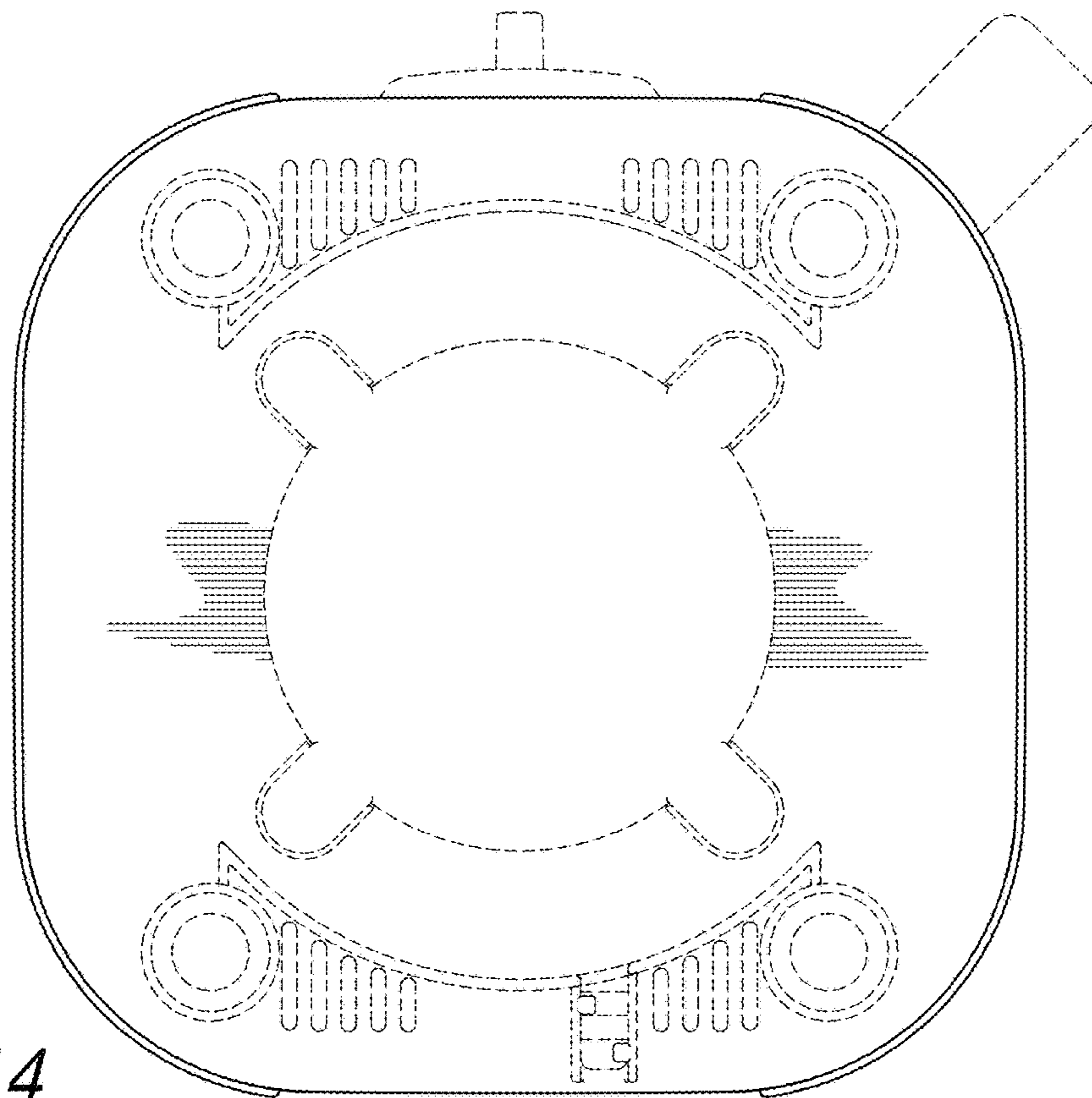
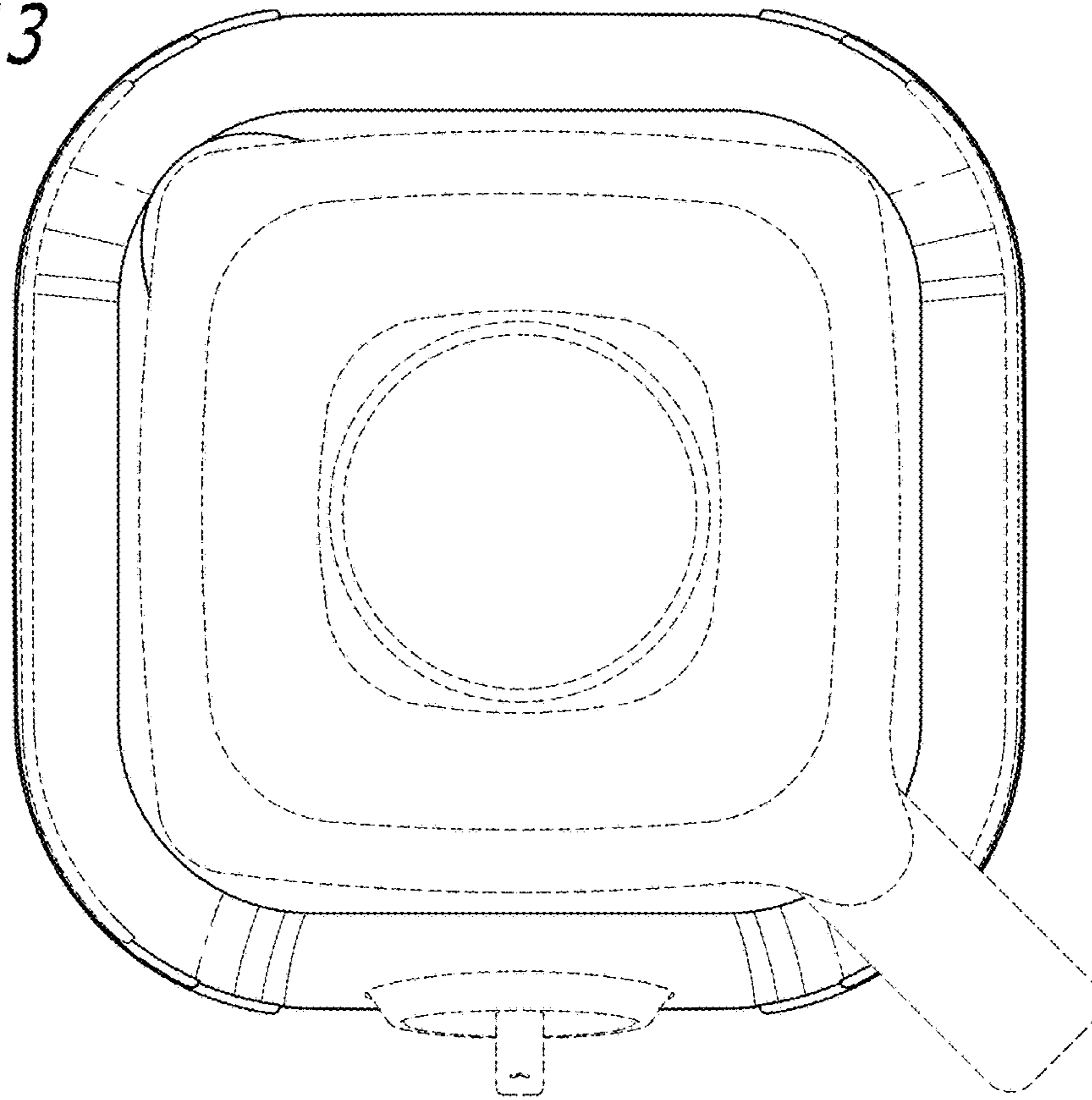


FIG. 14

FIG. 15

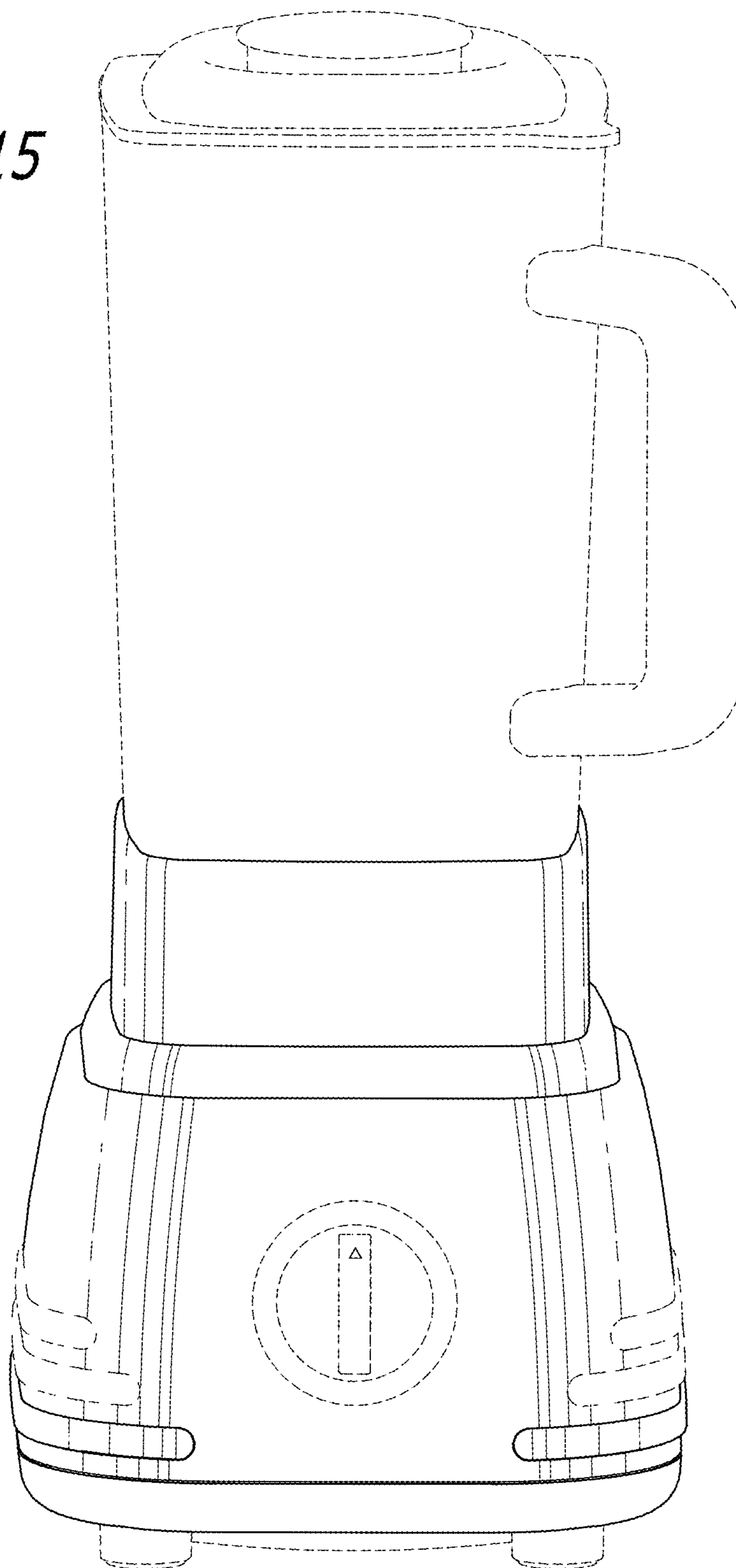
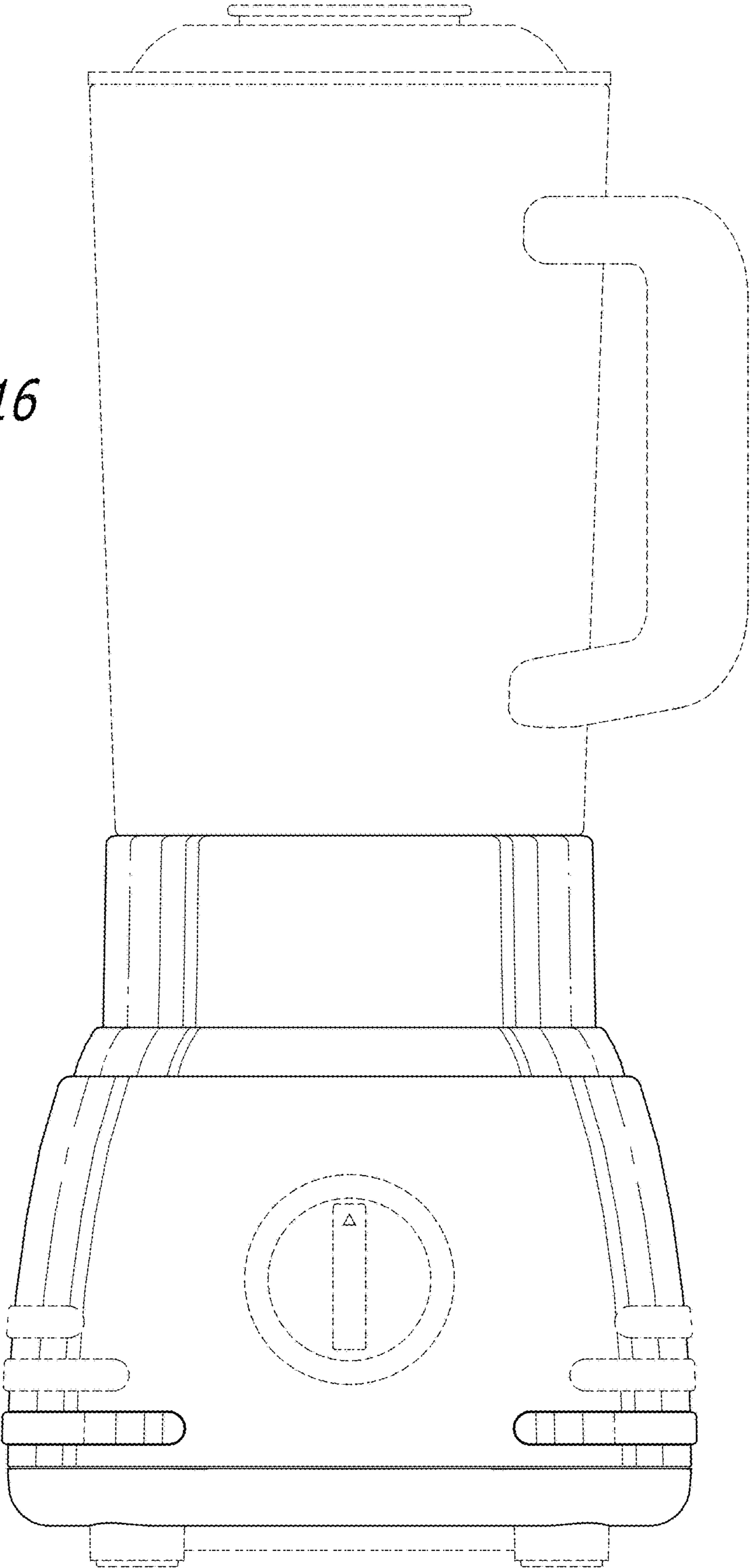


FIG. 16



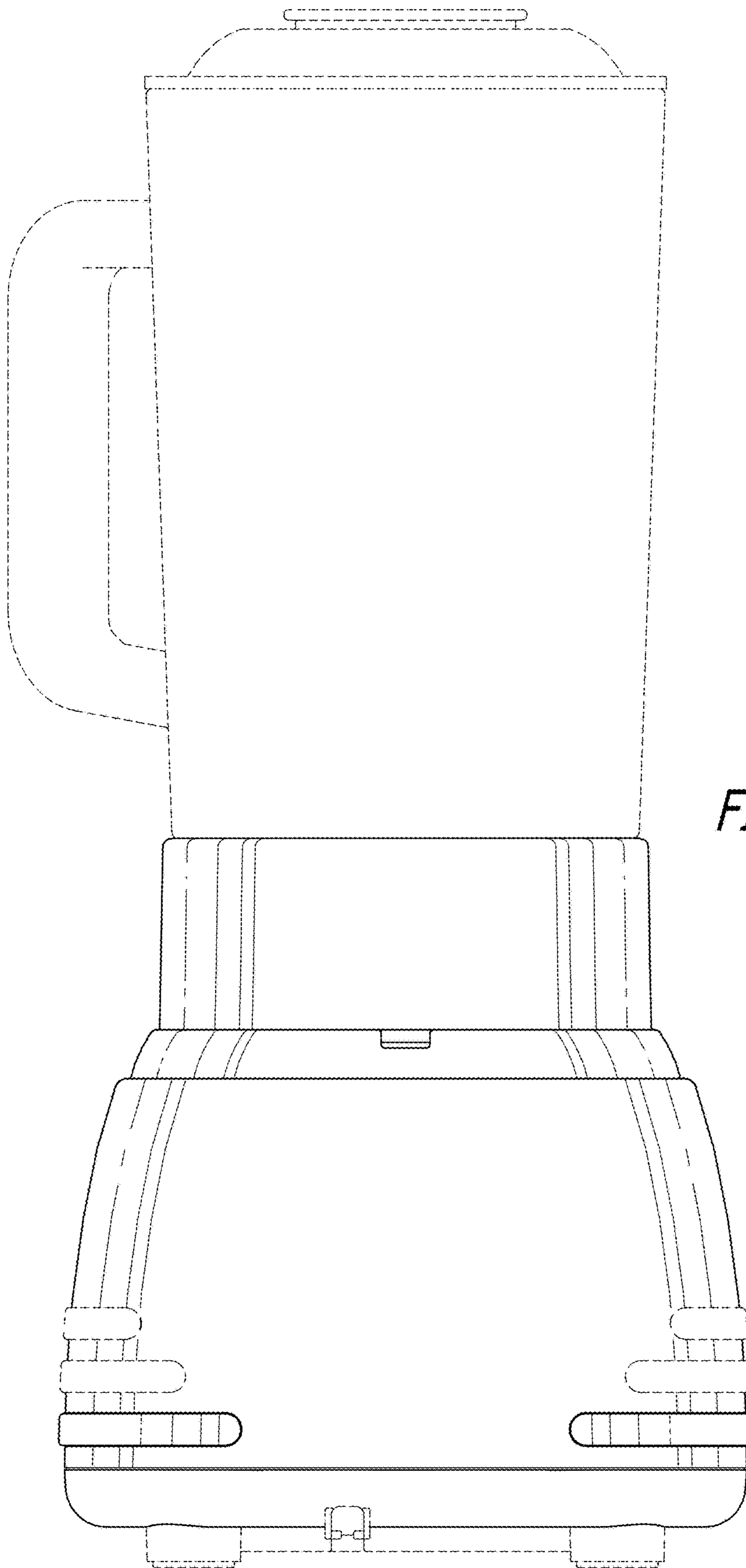


FIG. 17

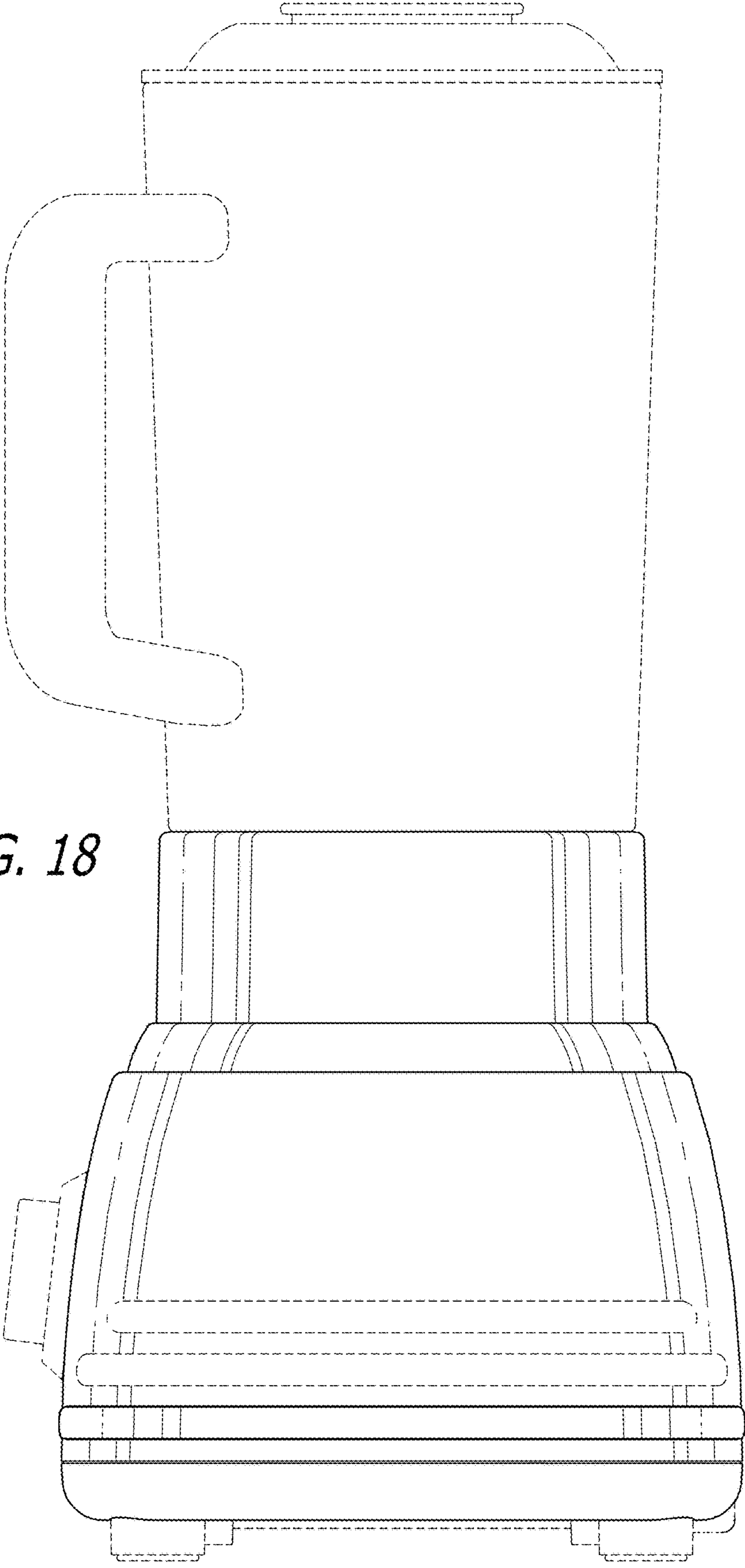


FIG. 18

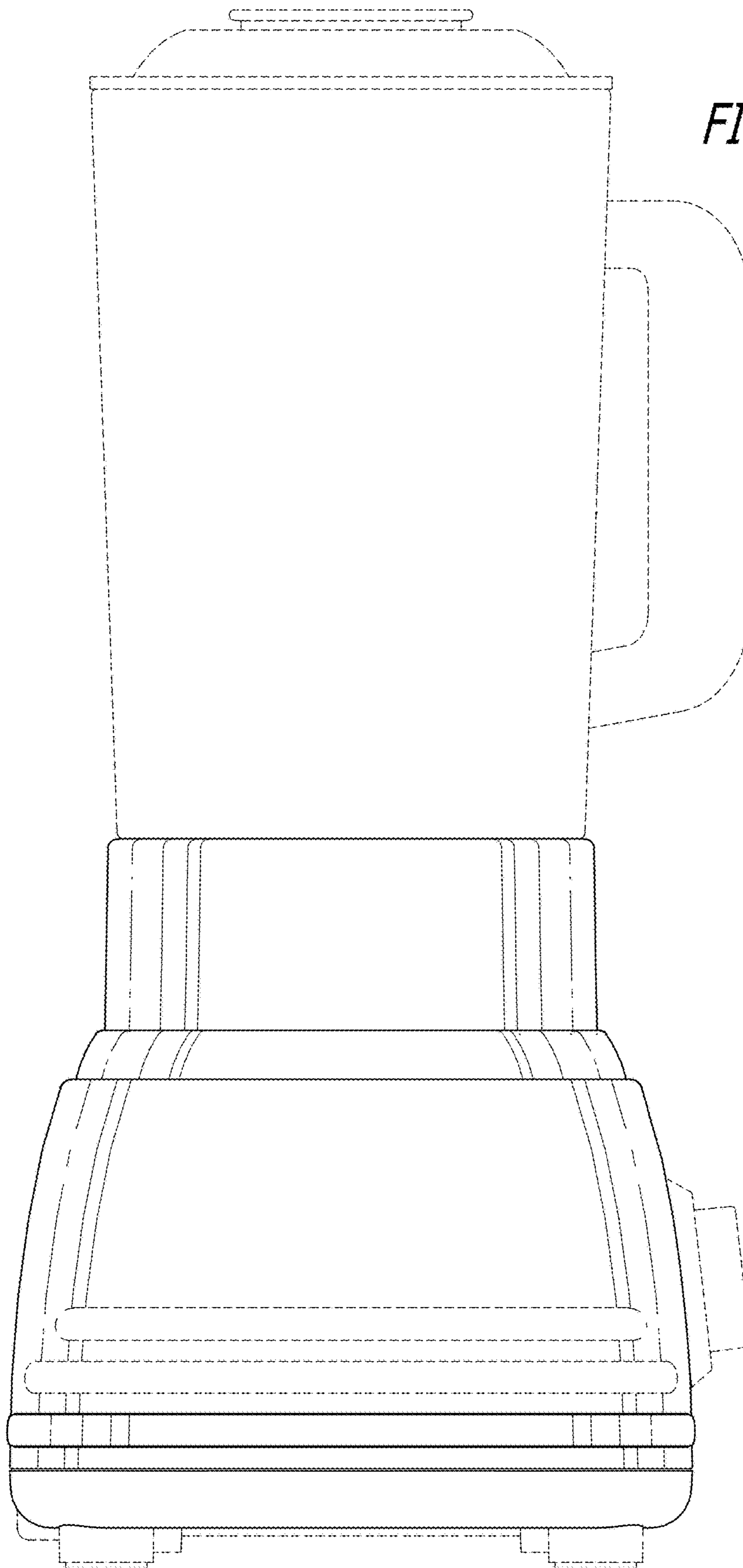


FIG. 19

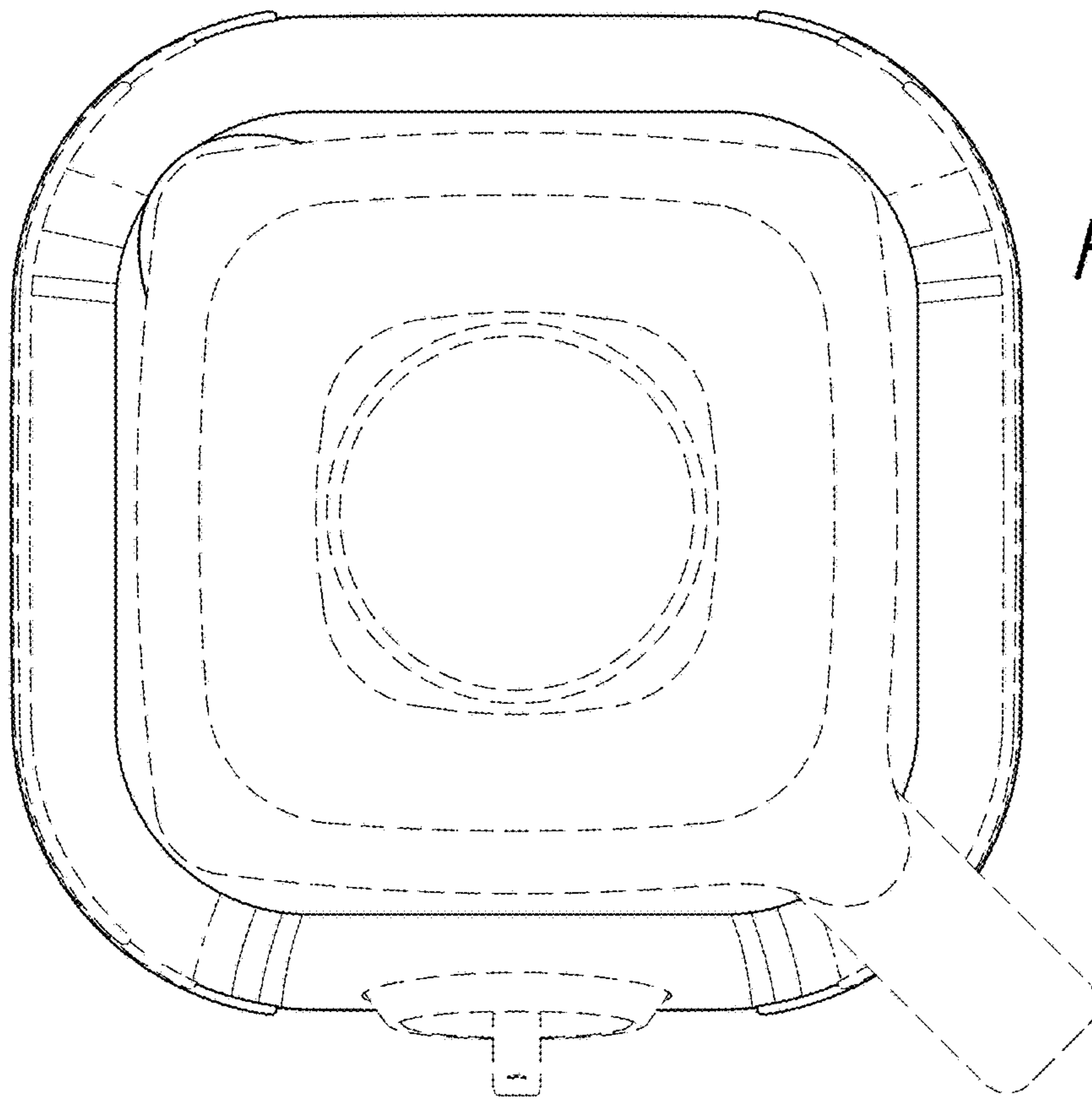


FIG. 20

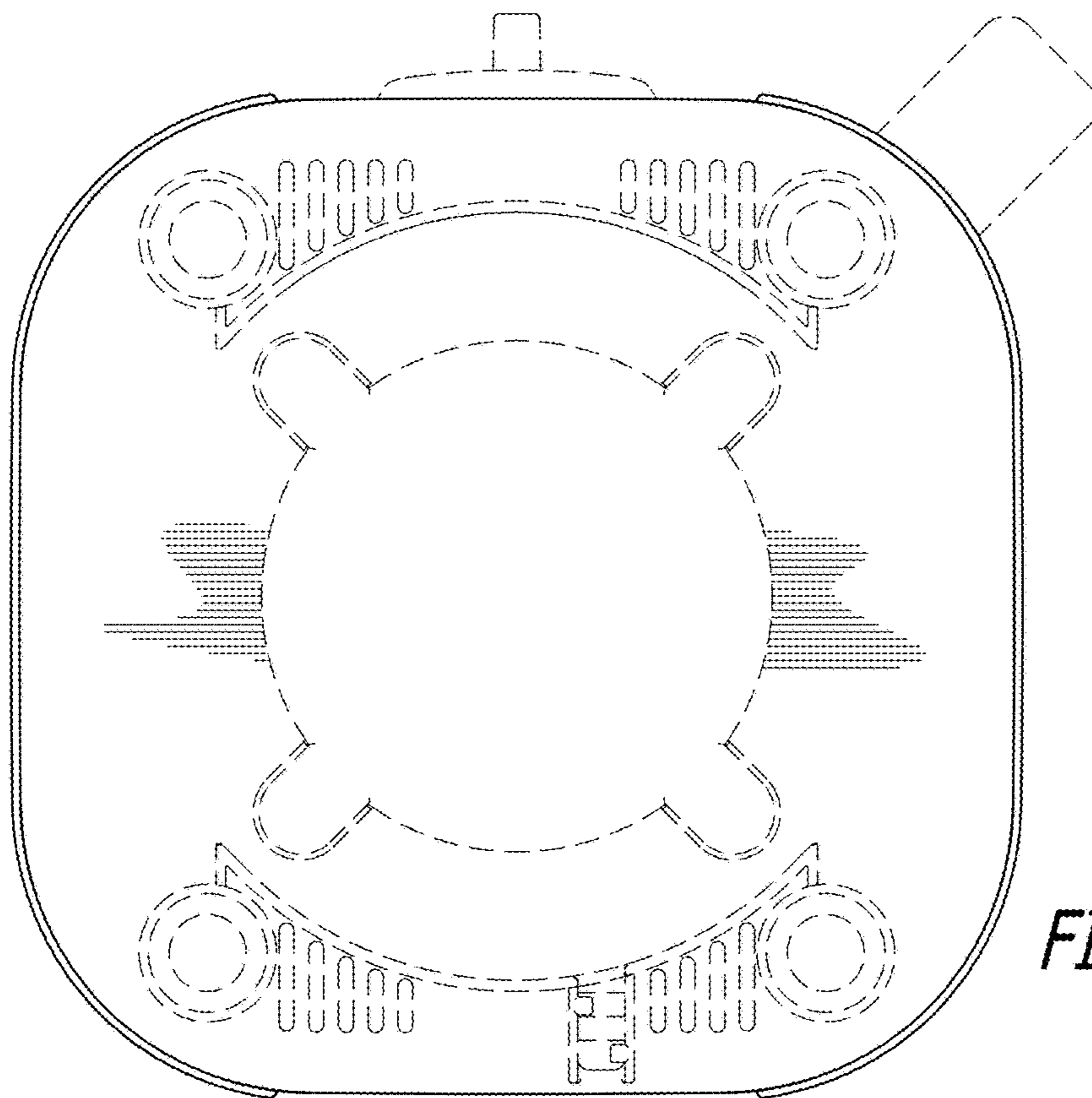


FIG. 21