



US00D781097S

(12) **United States Design Patent**
Kim et al.

(10) **Patent No.:** **US D781,097 S**
(45) **Date of Patent:** **** Mar. 14, 2017**

- (54) **OVEN**
- (71) Applicant: **Samsung Electronics Co., Ltd.**,
Suwon-si (KR)
- (72) Inventors: **Taikyung Kim**, Seoul (KR); **Jaejun Kim**, Seoul (KR); **Hyeongju Seo**, Seoul (KR)
- (73) Assignee: **SAMSUNG ELECTRONICS CO., LTD.**, Suwon-si (KR)

D724,889 S *	3/2015	Borjesson	D7/349
D728,300 S *	5/2015	Borjesson	D7/349
D741,104 S *	10/2015	Funnell, II	D7/348
D750,413 S *	3/2016	Funnell, II	D7/348
D754,476 S *	4/2016	Crookshanks	D7/405
D762,086 S *	7/2016	Kim	D7/405
D762,415 S *	8/2016	Chung	D7/405
D763,617 S *	8/2016	Kim	D7/339
D764,230 S *	8/2016	Shoemaker	D7/405
D764,854 S *	8/2016	Kim	D7/339
D766,030 S *	9/2016	Chung	D7/348
2014/0070685 A1 *	3/2014	Yantis	F24C 15/02 312/319.2

(**) Term: **15 Years**

* cited by examiner

(21) Appl. No.: **29/554,604**

Primary Examiner — Robin V Webster

(22) Filed: **Feb. 12, 2016**

Assistant Examiner — James Thorn, Sr.

(30) **Foreign Application Priority Data**

(74) *Attorney, Agent, or Firm* — McAndrews Held & Malloy, Ltd.

Aug. 28, 2015 (KR) 30-2015-0043531

(51) **LOC (10) Cl.** **07-02**

(52) **U.S. Cl.**
USPC **D7/348; D7/349**

(58) **Field of Classification Search**
USPC D7/350.1, 348, 323, 339, 347, 402, 405,
D7/349, 350.3, 328; D8/303, 308
CPC ... A21B 2/00; A47J 37/00; A47J 37/06; A47J
37/0611; A47J 37/08; A47J 37/0807;
A47J 37/0814; A47J 37/0835; A47J
37/0842; A47J 37/085; A47J 37/0864;
A47J 37/0878; A47J 37/0885; A47J
37/0892; F24C 7/00; F24C 7/002; F24C
7/046; F24C 7/067; F24C 15/02; F24C
15/04; F24C 15/10; F24C 15/102

See application file for complete search history.

(56) **References Cited**

U.S. PATENT DOCUMENTS

D688,518 S *	8/2013	Baek	D7/402
D690,994 S *	10/2013	Baek	D7/405

(57) **CLAIM**

The ornamental design for an oven, as shown and described.

DESCRIPTION

FIG. 1 is a top perspective view of an oven showing our new design;
FIG. 2 is a front elevation view thereof;
FIG. 3 is a rear elevation view thereof;
FIG. 4 is a left-side elevation view thereof;
FIG. 5 is a right-side elevation view thereof;
FIG. 6 is a top plan view thereof; and,
FIG. 7 is a bottom plan view thereof.
The dashed broken lines in the figures depict portions of the oven that form no part of the claimed design.

1 Claim, 7 Drawing Sheets

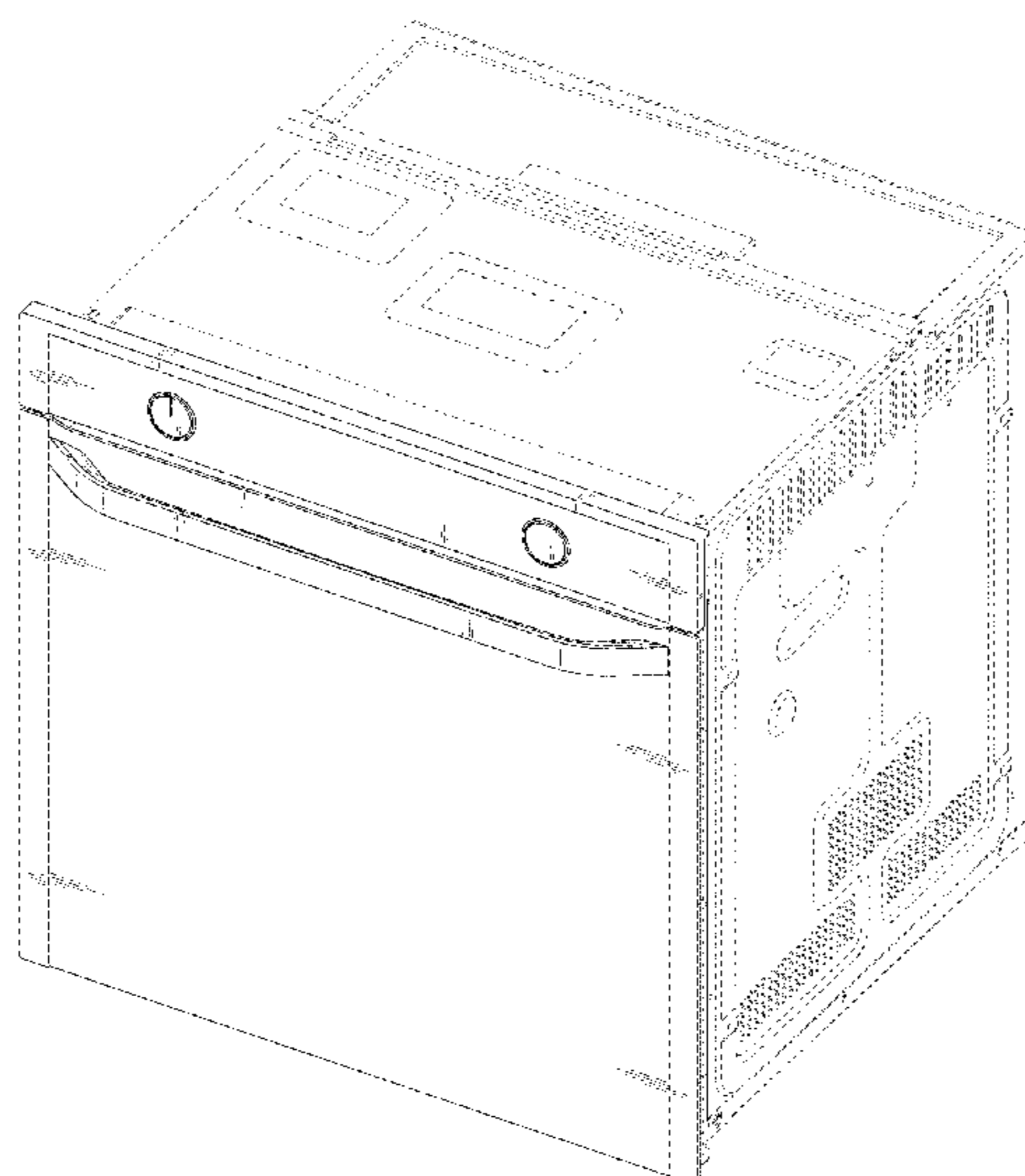


FIG. 1

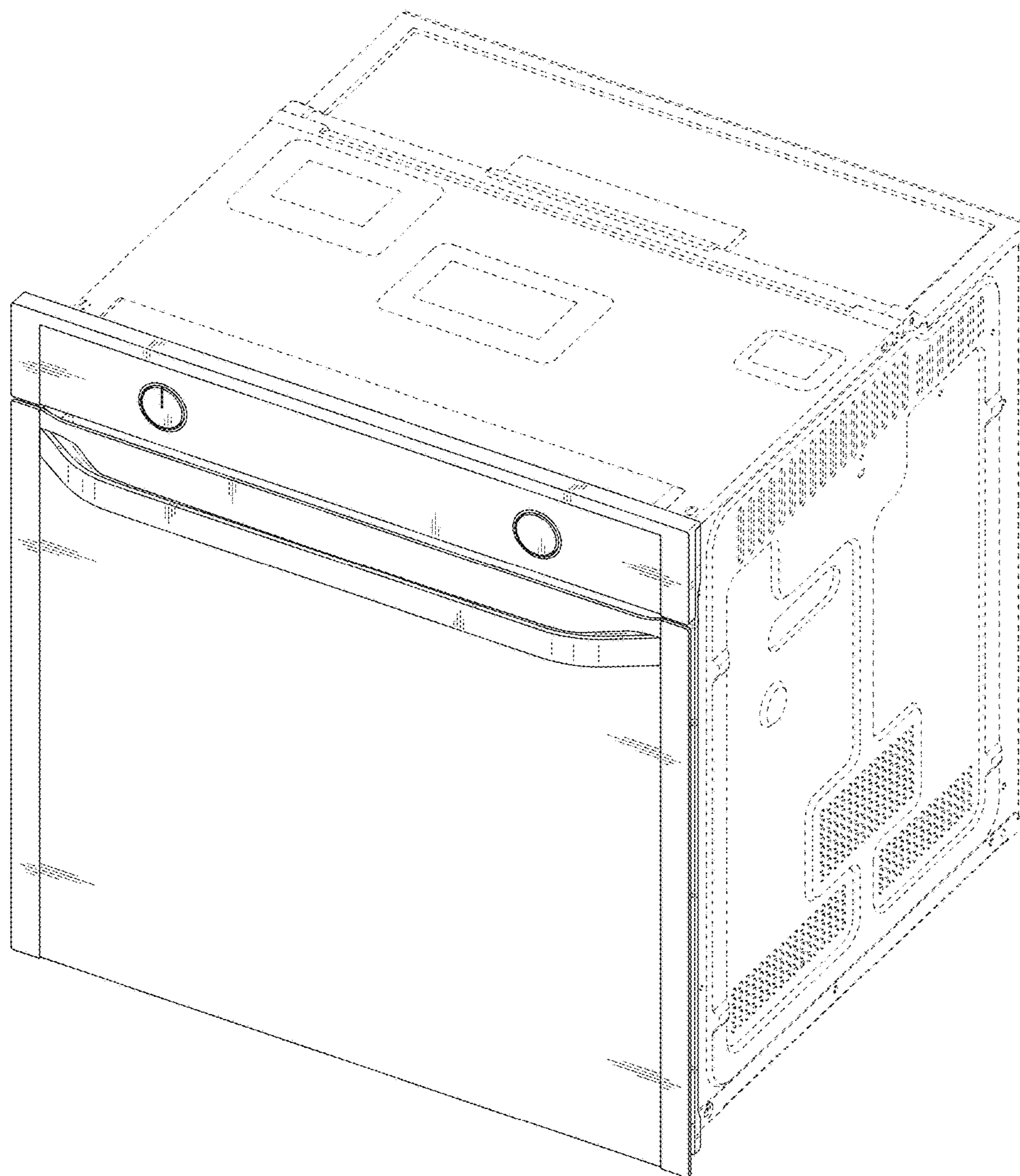


FIG. 2

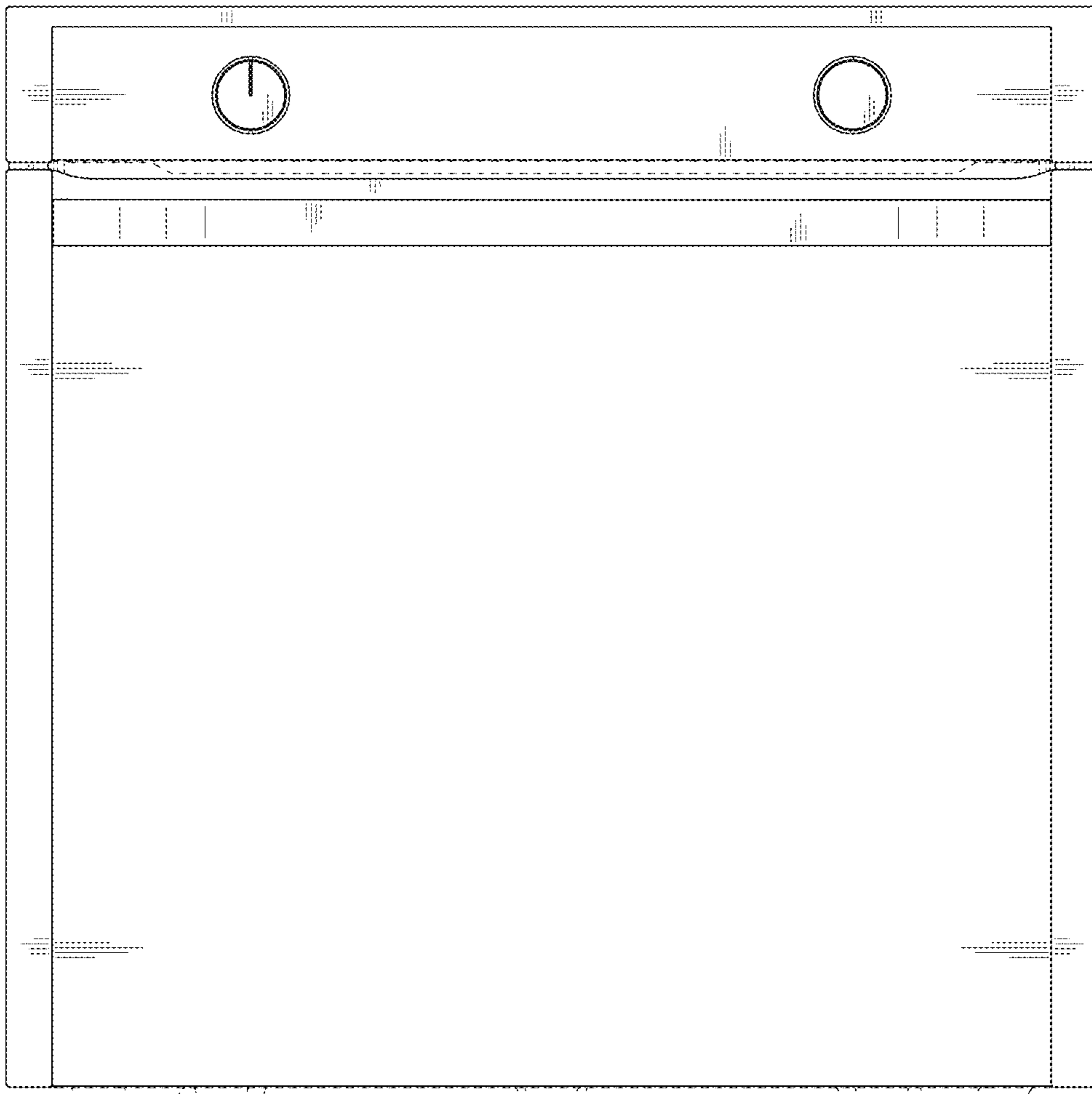


FIG. 3

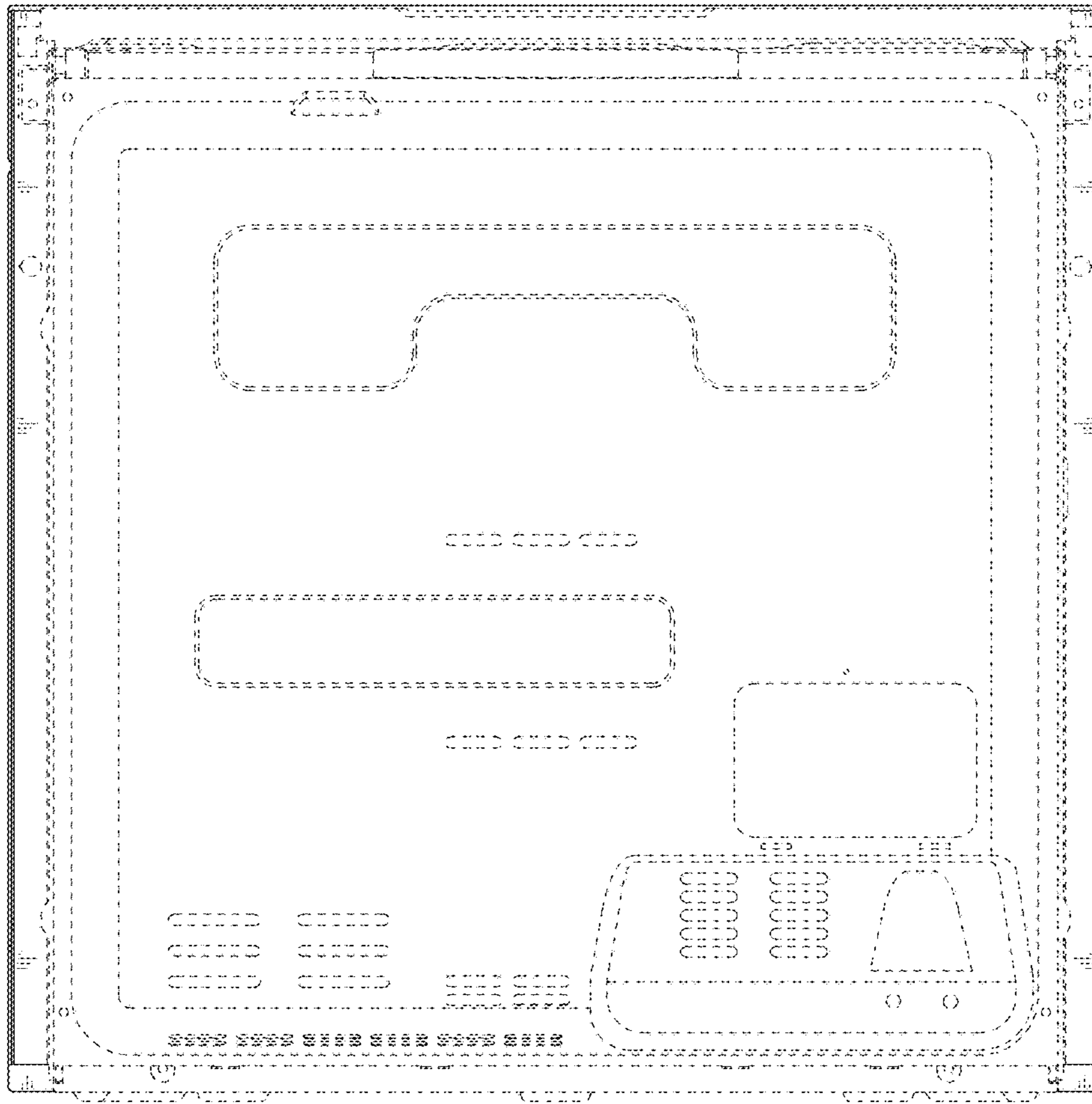


FIG. 4

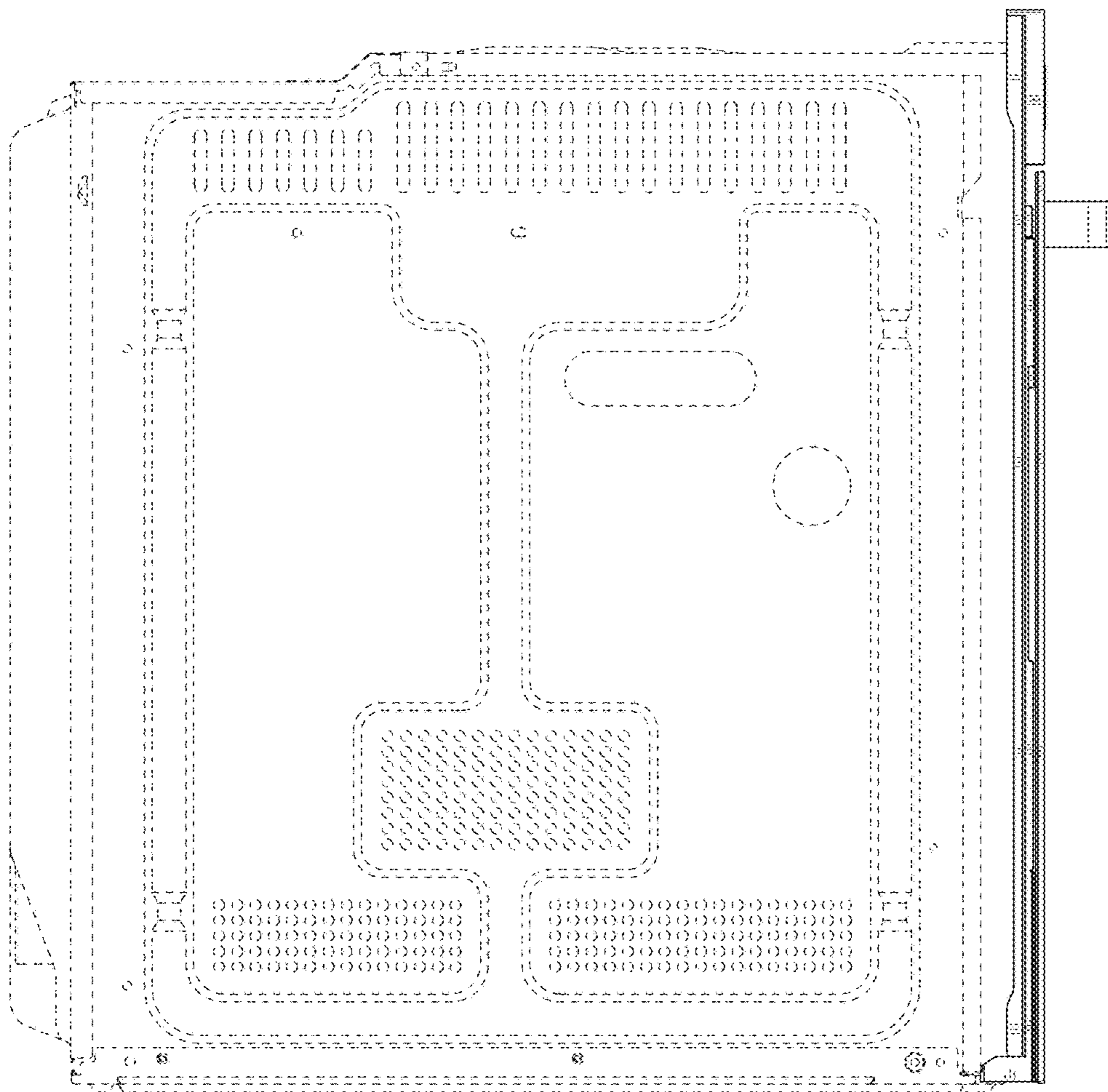


FIG. 5

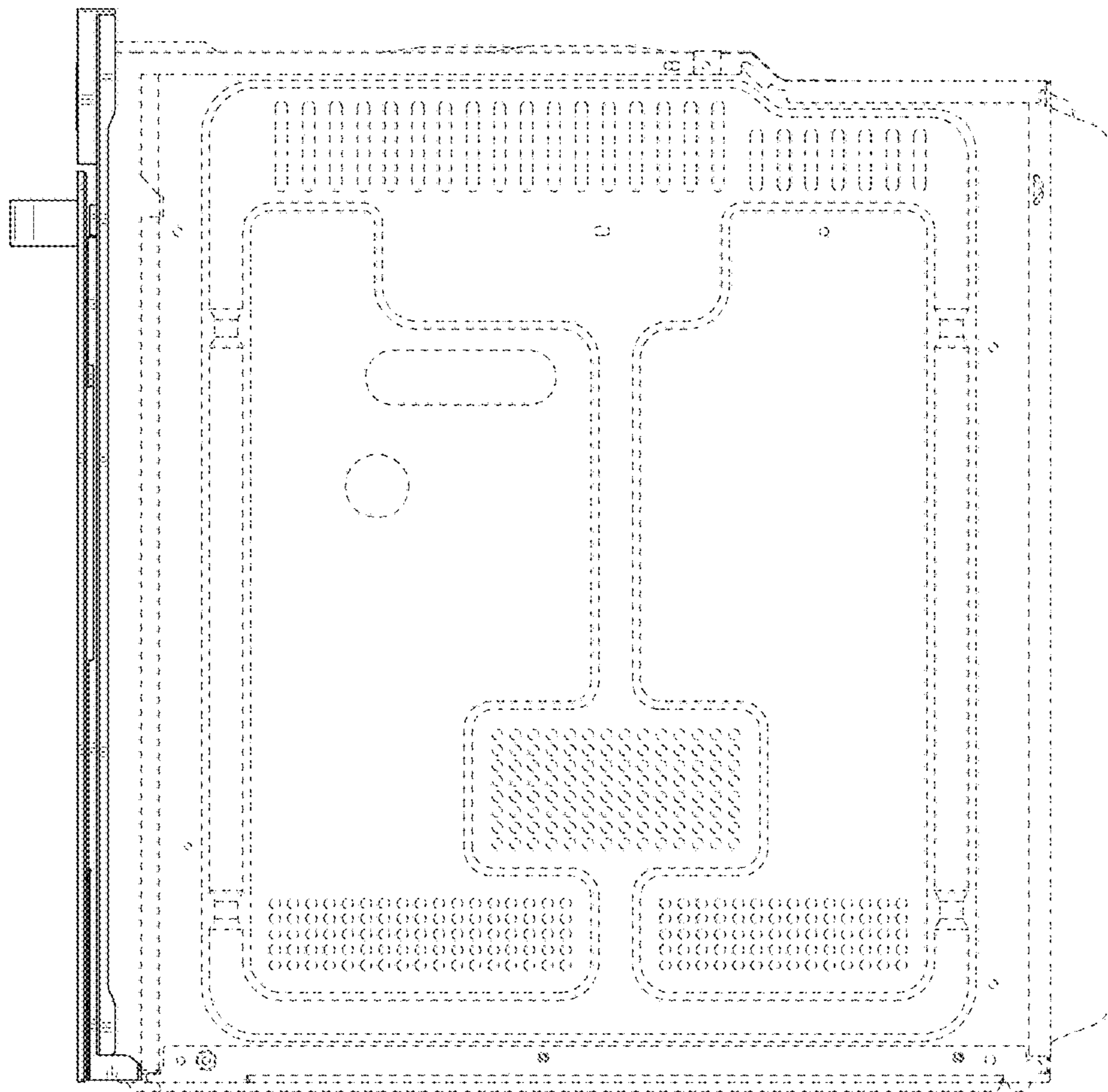


FIG. 6

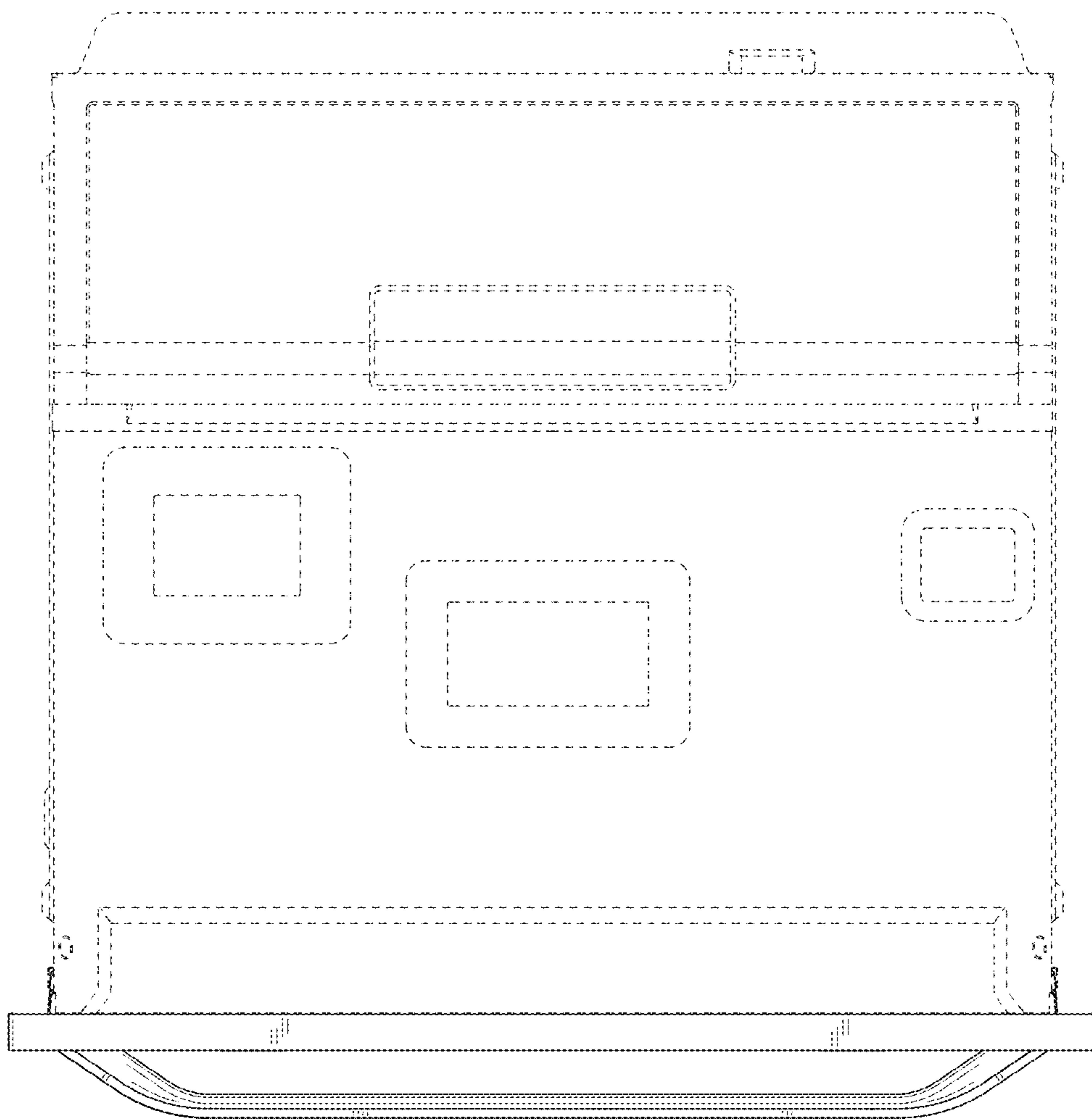


FIG. 7

