

US00D781095S

(12) **United States Design Patent**
Nilsson

(10) **Patent No.:** **US D781,095 S**
(45) **Date of Patent:** **** Mar. 14, 2017**

(54) **COFFEE MAKER**

(71) Applicant: **3Temp AB**, Arvika (SE)

(72) Inventor: **Jarl Nilsson**, Arvika (SE)

(73) Assignee: **3Temp AB**, Arvika (SE)

(**) Term: **15 Years**

(21) Appl. No.: **29/533,212**

(22) Filed: **Jul. 15, 2015**

(30) **Foreign Application Priority Data**

Jan. 23, 2015 (EM) 002619205-0001

(51) **LOC (10) Cl.** **07-01**

(52) **U.S. Cl.**
USPC **D7/309; D7/311; D7/310**

(58) **Field of Classification Search**
USPC D7/306-311, 305, 300, 397, 398, 399,
D7/400; 99/279, 284, 290, 280, 299, 307,
99/297, 295, 323, 275, 281, 300, 302 R,
99/282, 288; 426/433; D20/4, 5, 1
CPC .. A47J 31/44; A47J 31/00; A47J 31/46; A47J
31/10; A47J 31/56; A47J 31/42; A47J
431/4482; A47J 27/2105; A47J 31/4403;
A47J 31/32; A47J 31/4457; A47J 31/52;
A47J 31/0573; A47J 31/545; A47J 31/40;
A47J 31/057; B65D 81/3266

See application file for complete search history.

(56) **References Cited**

U.S. PATENT DOCUMENTS

D254,892 S * 5/1980 Smit D7/309
D254,893 S * 5/1980 Smit D7/309

D409,432 S * 5/1999 O'Keefe D7/305
D489,213 S * 5/2004 Cunha D7/307
D566,452 S * 4/2008 Wong D7/307
D646,106 S * 10/2011 Gebhardt D7/309
D646,107 S * 10/2011 Gebhardt D7/309
D686,863 S * 7/2013 Chen B67D 1/0085
D7/305
D689,321 S * 9/2013 Nett D7/309

* cited by examiner

Primary Examiner — Marianne Pandozzi

(74) *Attorney, Agent, or Firm* — Venable, LLP; Jeffri Kaminski

(57) **CLAIM**

The ornamental design for a coffee maker, as shown and described.

DESCRIPTION

The patent or application file contains at least one drawing executed in color. Copies of this patent or patent application publication with color drawing(s) will be provided by the Office upon request and payment of the necessary fee.

FIG. 1 is a front perspective view of a coffee maker showing my new design;

FIG. 2 is a top front right perspective view thereof;

FIG. 3 is a rear perspective view thereof;

FIG. 4 is a top rear left perspective view thereof; and,

FIG. 5 is a left side perspective view thereof.

1 Claim, 5 Drawing Sheets
(5 of 5 Drawing Sheet(s) Filed in Color)

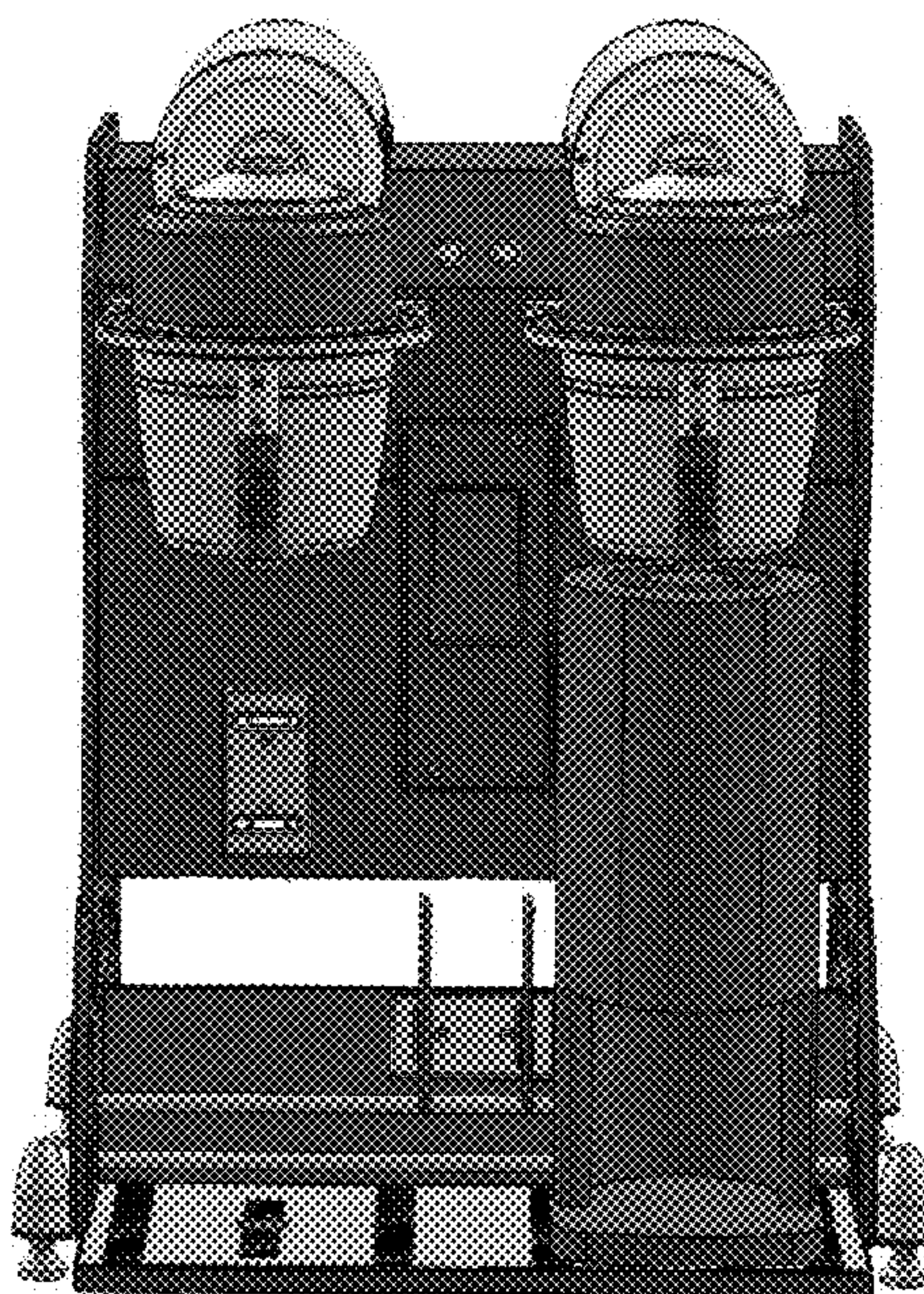




Fig. 1



Fig. 2

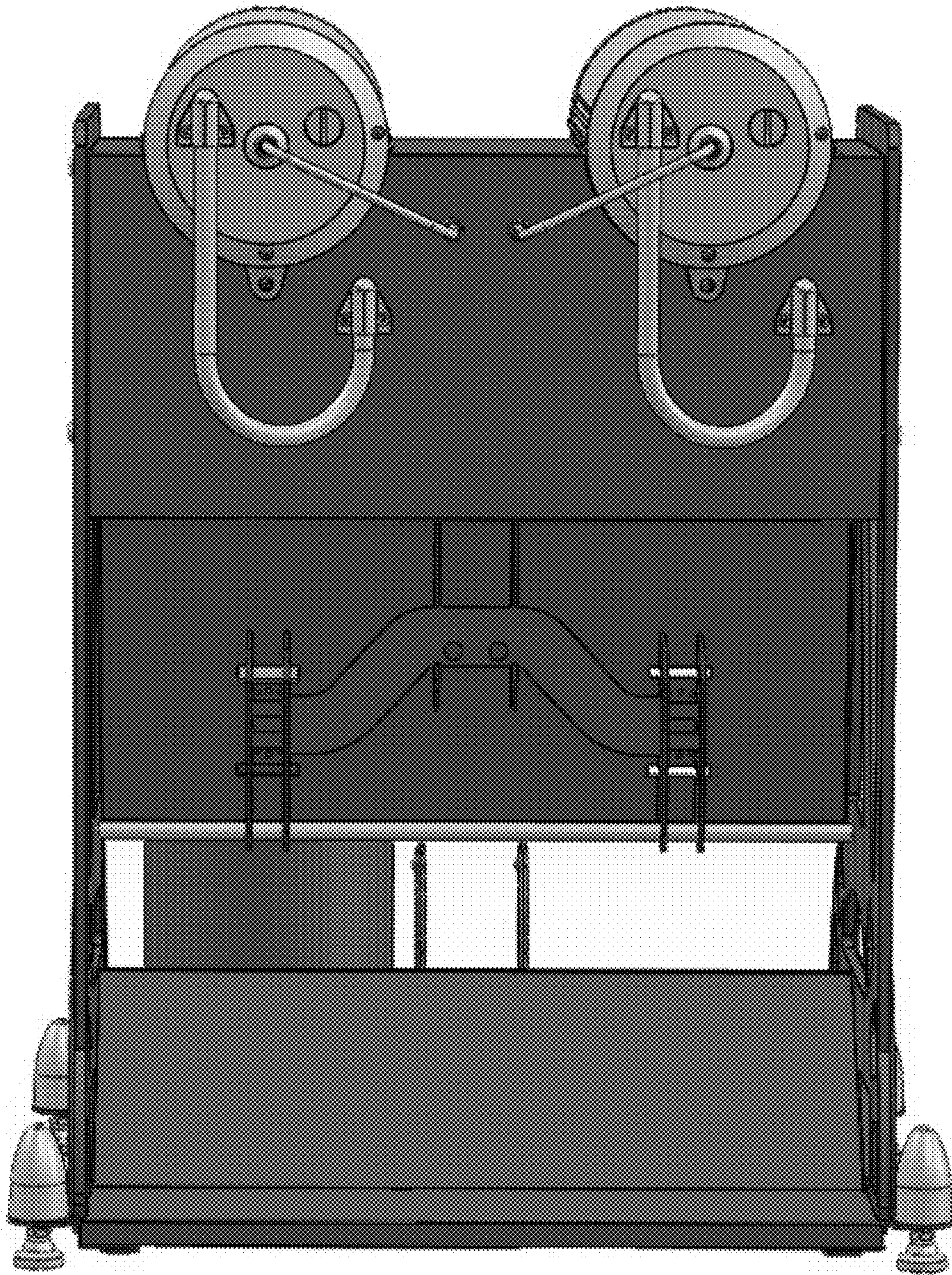


Fig. 3

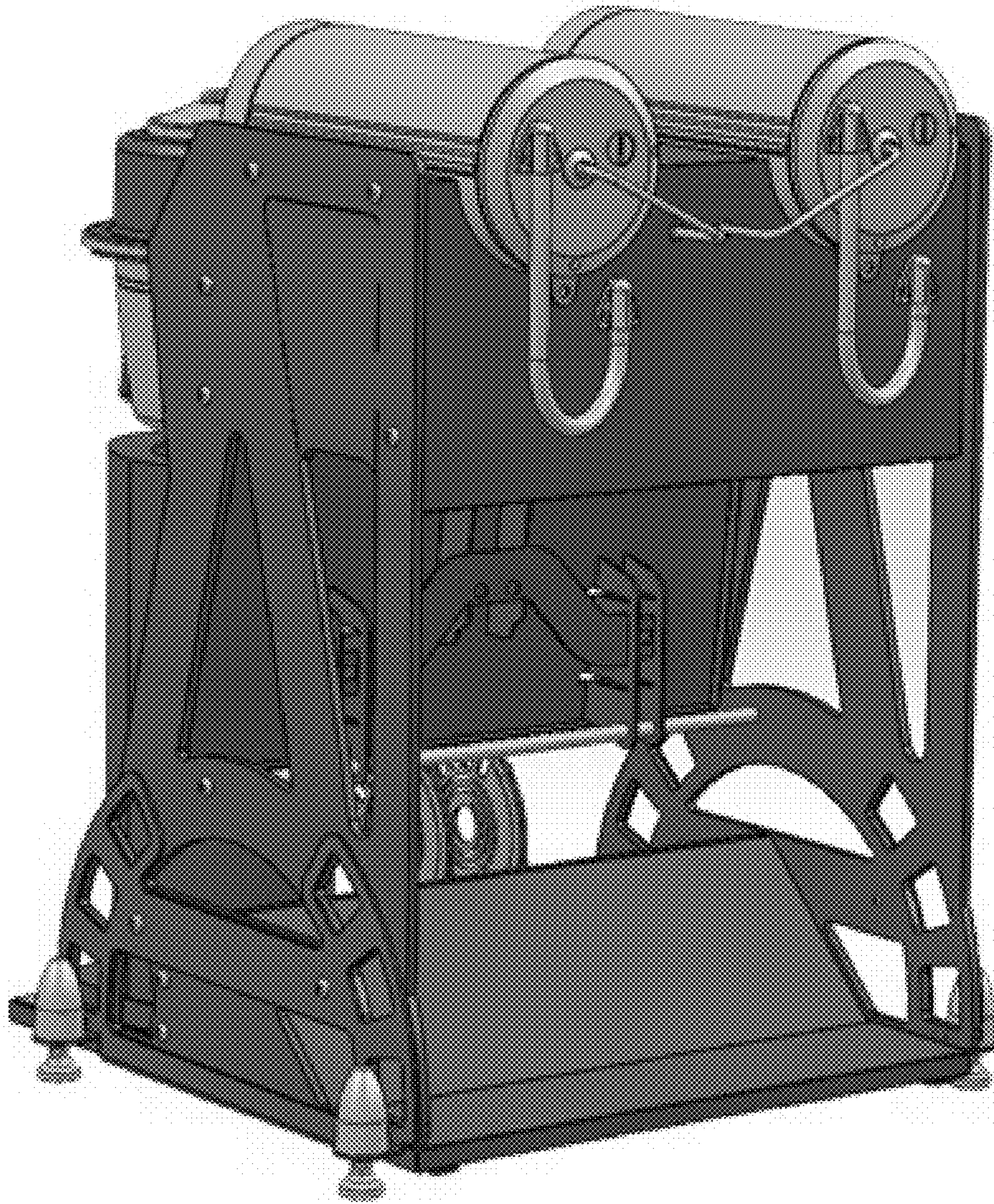


Fig. 4

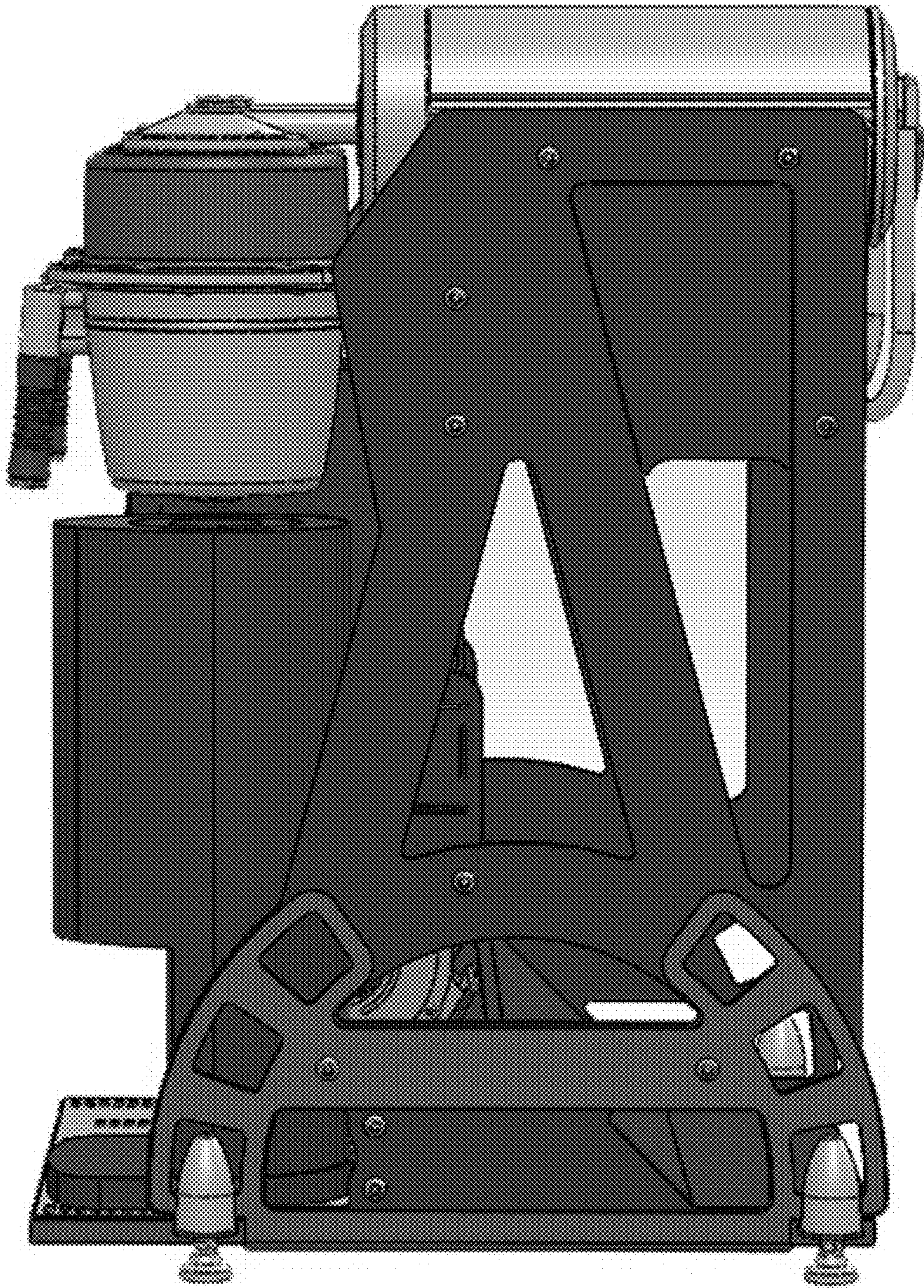


Fig. 5